



US00D535735S

(12) **United States Design Patent**
Ruiz Ballesteros et al.

(10) **Patent No.:** **US D535,735 S**
(45) **Date of Patent:** **** Jan. 23, 2007**

(54) **DIFFUSION EVAPORATOR FOR ACTIVE SUBSTANCES**

(75) Inventors: **Julio Cesar Ruiz Ballesteros**,
Cerdanyola del Valles (ES); **Ruben Garcia Fabrega**,
Cerdanyola del Valles (ES); **Andrea Caserta**,
Cerdanyola del Valles (ES)

(73) Assignee: **Zobebe Espana, S.A.** (ES)

(**) Term: **14 Years**

(21) Appl. No.: **29/236,511**

(22) Filed: **Aug. 17, 2005**

(51) **LOC (8) Cl.** **28-99**

(52) **U.S. Cl.** **D23/366**

(58) **Field of Classification Search** 392/386,
392/390-394, 398, 401, 403, 405-406; 239/135-136,
239/34, 35, 56-58, 37, 41, 42, 60; 261/DIG. 17,
261/DIG. 65, DIG. 88, DIG. 89; D23/355-369
See application file for complete search history.

(56) **References Cited**

U.S. PATENT DOCUMENTS

2,931,880	A	*	4/1960	Yaffe	392/390
4,391,781	A	*	7/1983	van Lit	422/125
4,849,606	A	*	7/1989	Martens et al.	392/390
5,136,684	A	*	8/1992	Lonker et al.	392/392
D345,787	S	*	4/1994	Martin	D23/366
D359,346	S	*	6/1995	Martin	D23/366
5,478,505	A	*	12/1995	McElfresh et al.	261/30
5,521,357	A	*	5/1996	Lock et al.	219/543
5,522,008	A	*	5/1996	Bernard	392/392
5,527,493	A	*	6/1996	McElfresh et al.	261/30

D373,822	S	*	9/1996	Leonard et al.	D23/366
5,556,192	A	*	9/1996	Wang	362/276
5,574,821	A	*	11/1996	Babasade	392/392
5,647,052	A	*	7/1997	Patel et al.	392/390
6,078,728	A	*	6/2000	O'Rourke et al.	392/390
6,104,866	A	*	8/2000	DeWitt et al.	392/390
6,123,935	A	*	9/2000	Weffler et al.	424/76.1
6,141,496	A	*	10/2000	Sundberg et al.	392/390
D440,291	S	*	4/2001	Wolpert et al.	D23/360
6,289,176	B1	*	9/2001	Martter et al.	392/392
D449,101	S	*	10/2001	Wolpert et al.	D23/366
D462,755	S	*	9/2002	Basaganas Milan	D23/366
D469,862	S	*	2/2003	Cruver et al.	D23/366
D486,213	S	*	2/2004	Novak	D23/366
6,728,478	B1	*	4/2004	Cox et al.	392/390
2004/0076410	A1	*	4/2004	Zobebe et al.	392/390

* cited by examiner

Primary Examiner—Sandra S. Snapp

(74) *Attorney, Agent, or Firm*—Ostrolenk, Faber, Gerb & Soffen, LLP

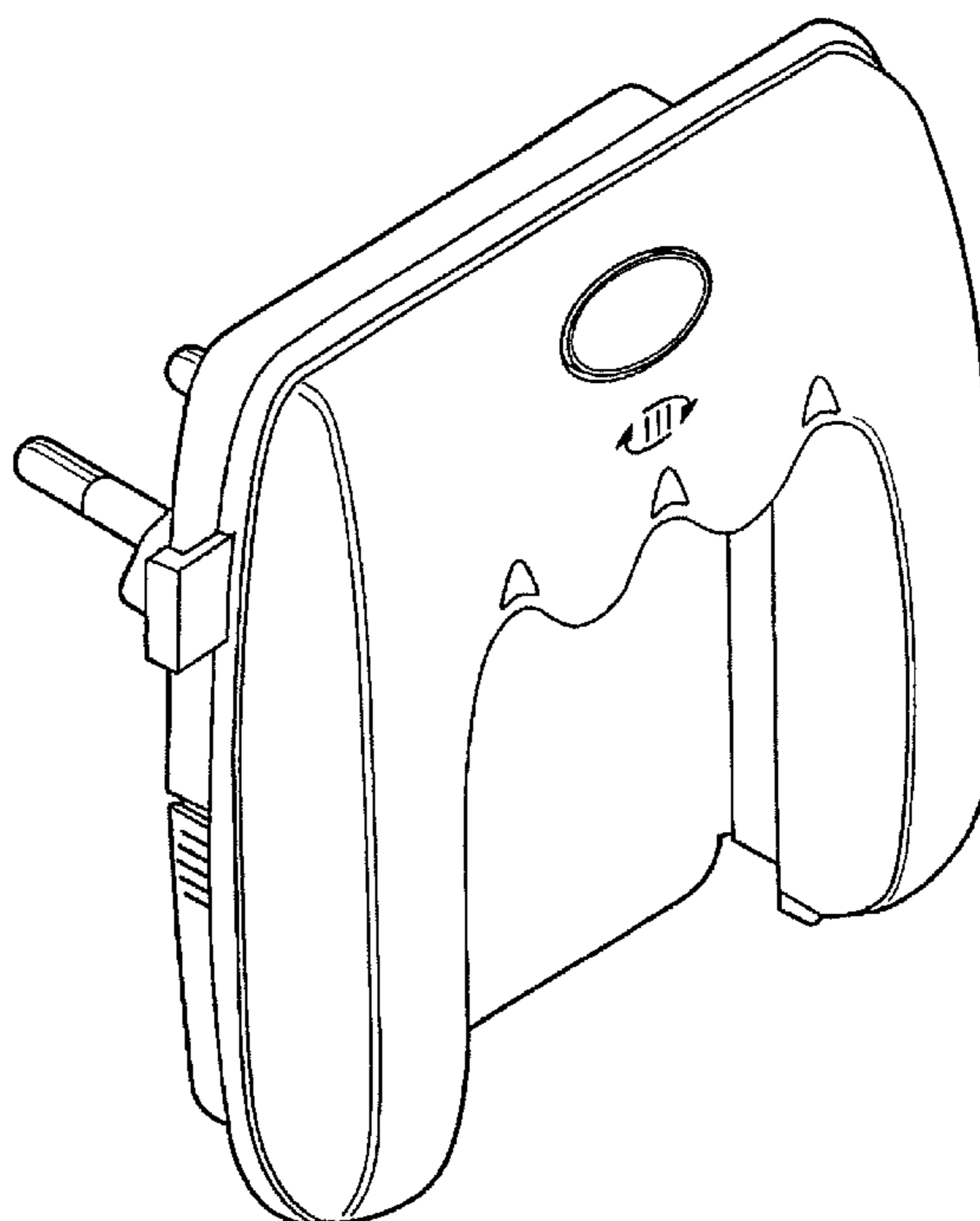
(57) **CLAIM**

The ornamental design for a diffusion evaporator for active substances, as shown.

DESCRIPTION

FIG. 1 is a front, left side perspective view of the diffusion evaporator for active substances of the present invention; FIG. 2 is a front view thereof; FIG. 3 is a left side view thereof; FIG. 4 is a bottom view thereof; FIG. 5 is a right side view thereof; FIG. 6 is a top view thereof; and, FIG. 7 is a rear view thereof.

1 Claim, 7 Drawing Sheets



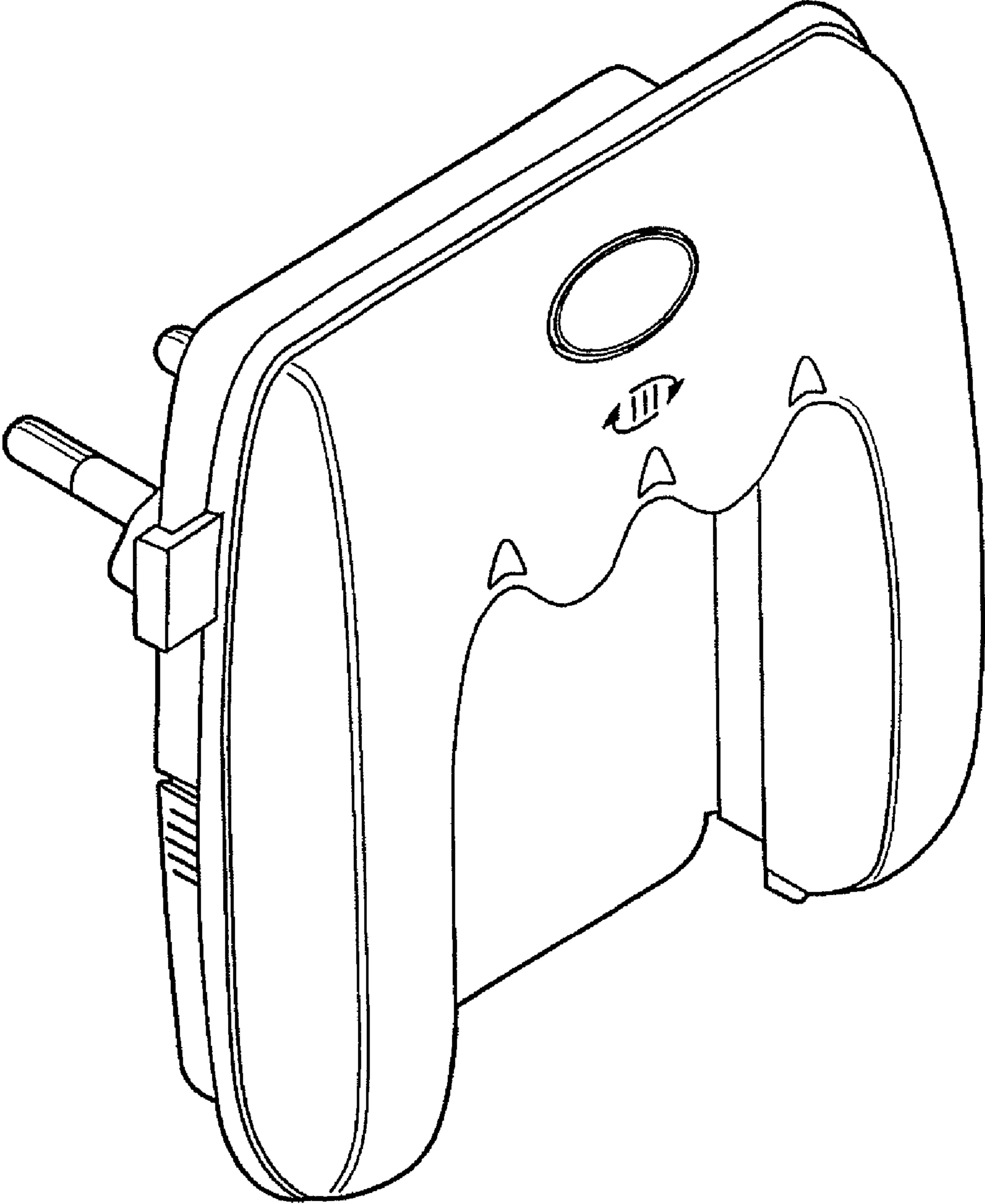


FIG. 1

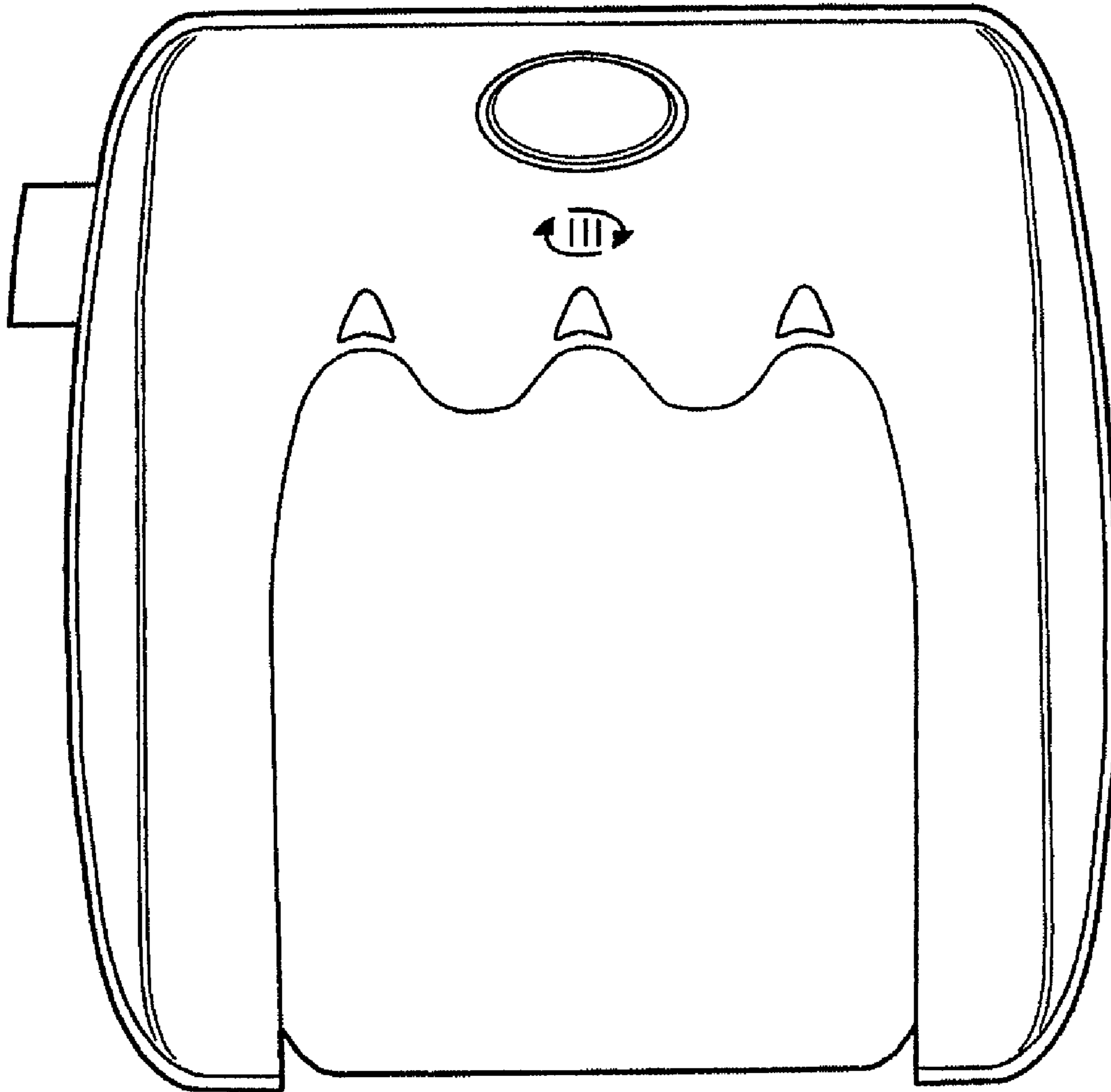


FIG. 2

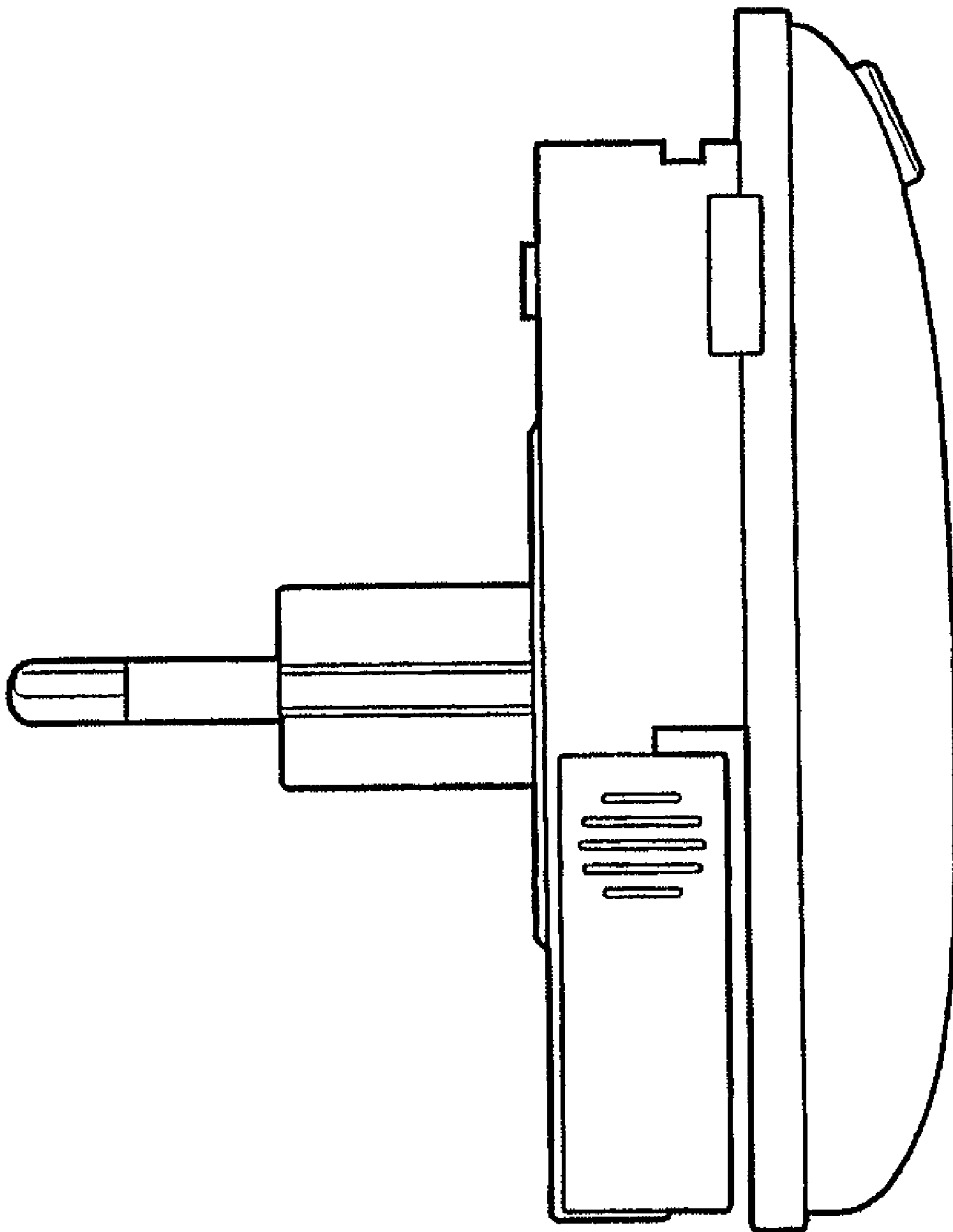


FIG. 3

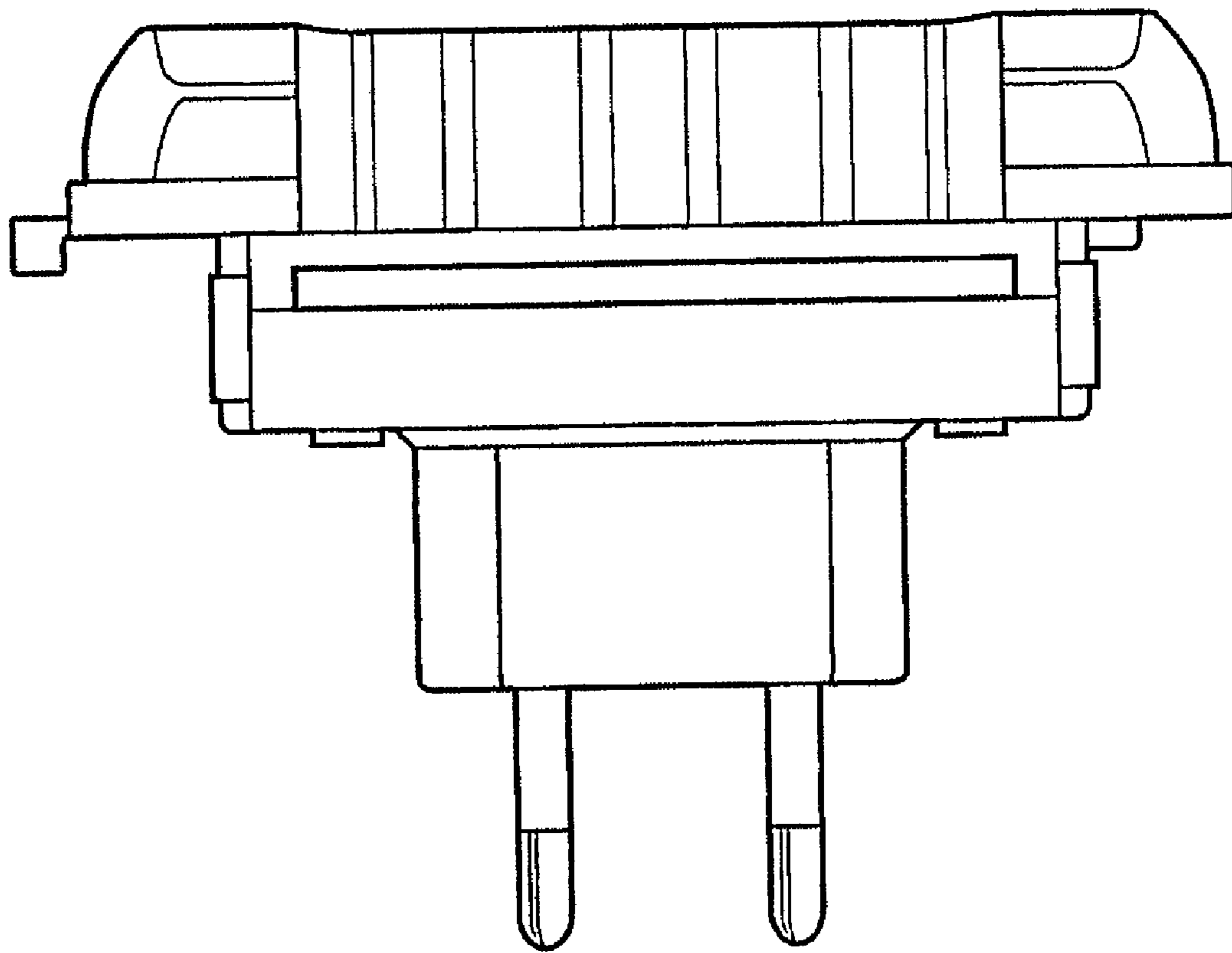


FIG. 4

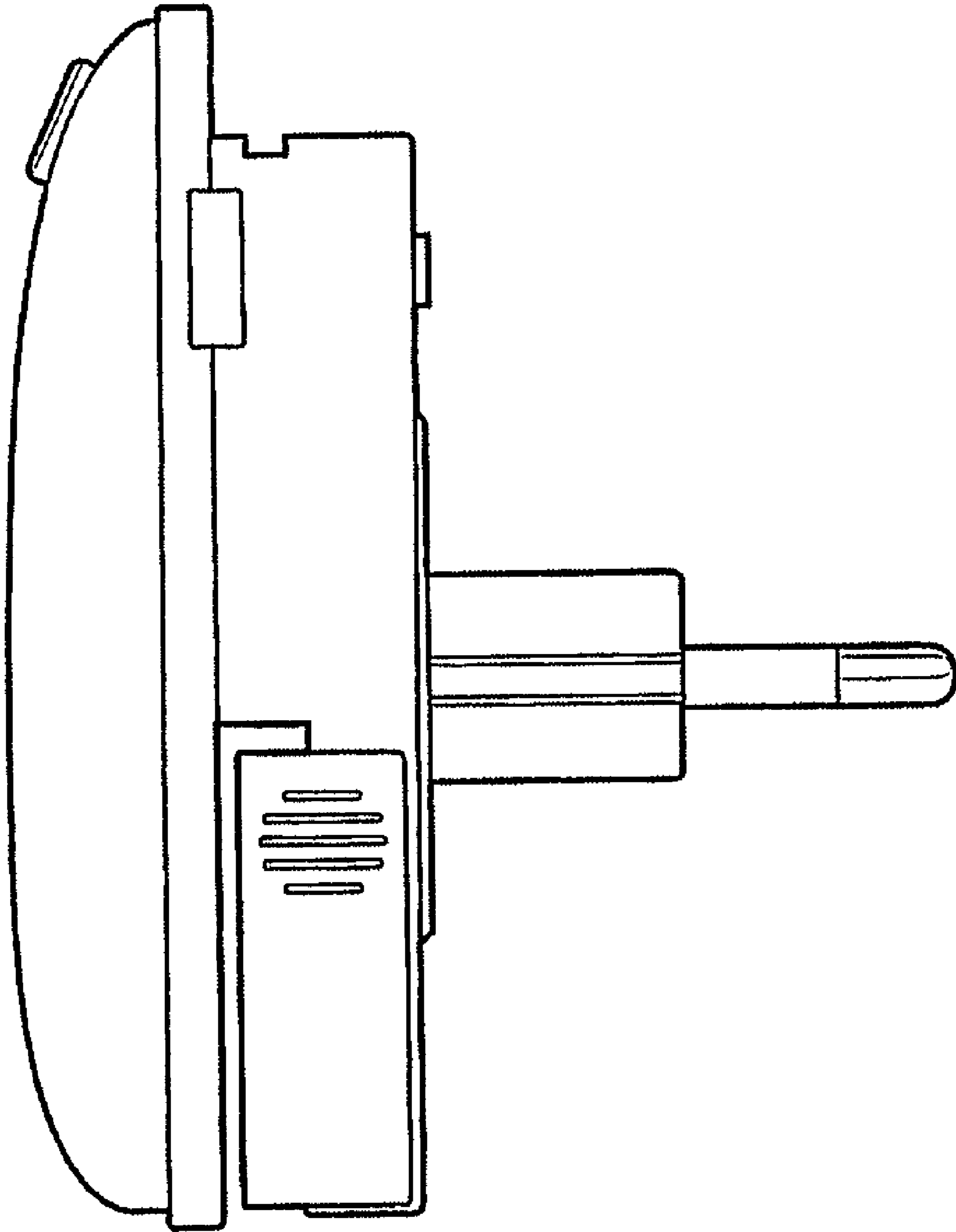


FIG. 5

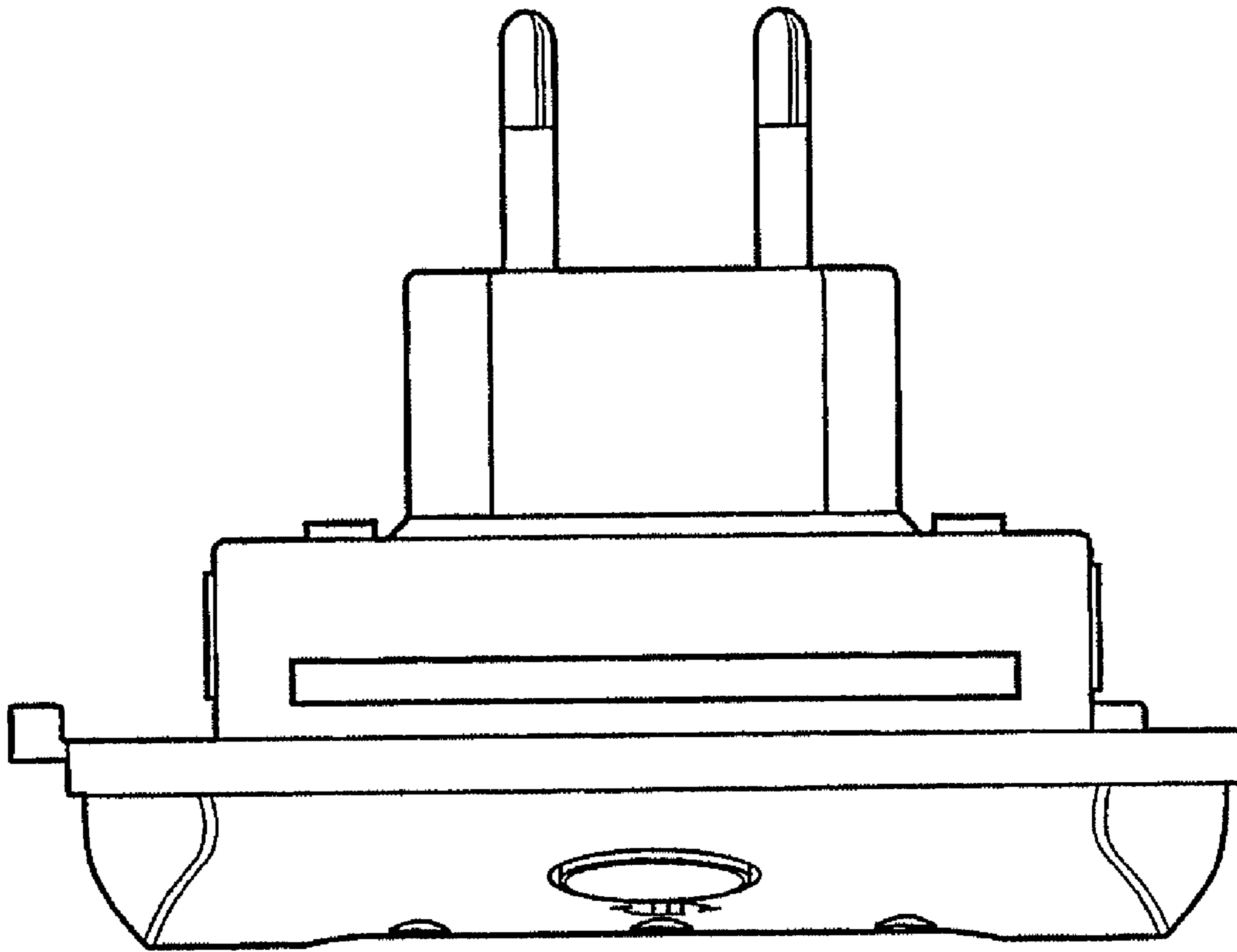


FIG. 6

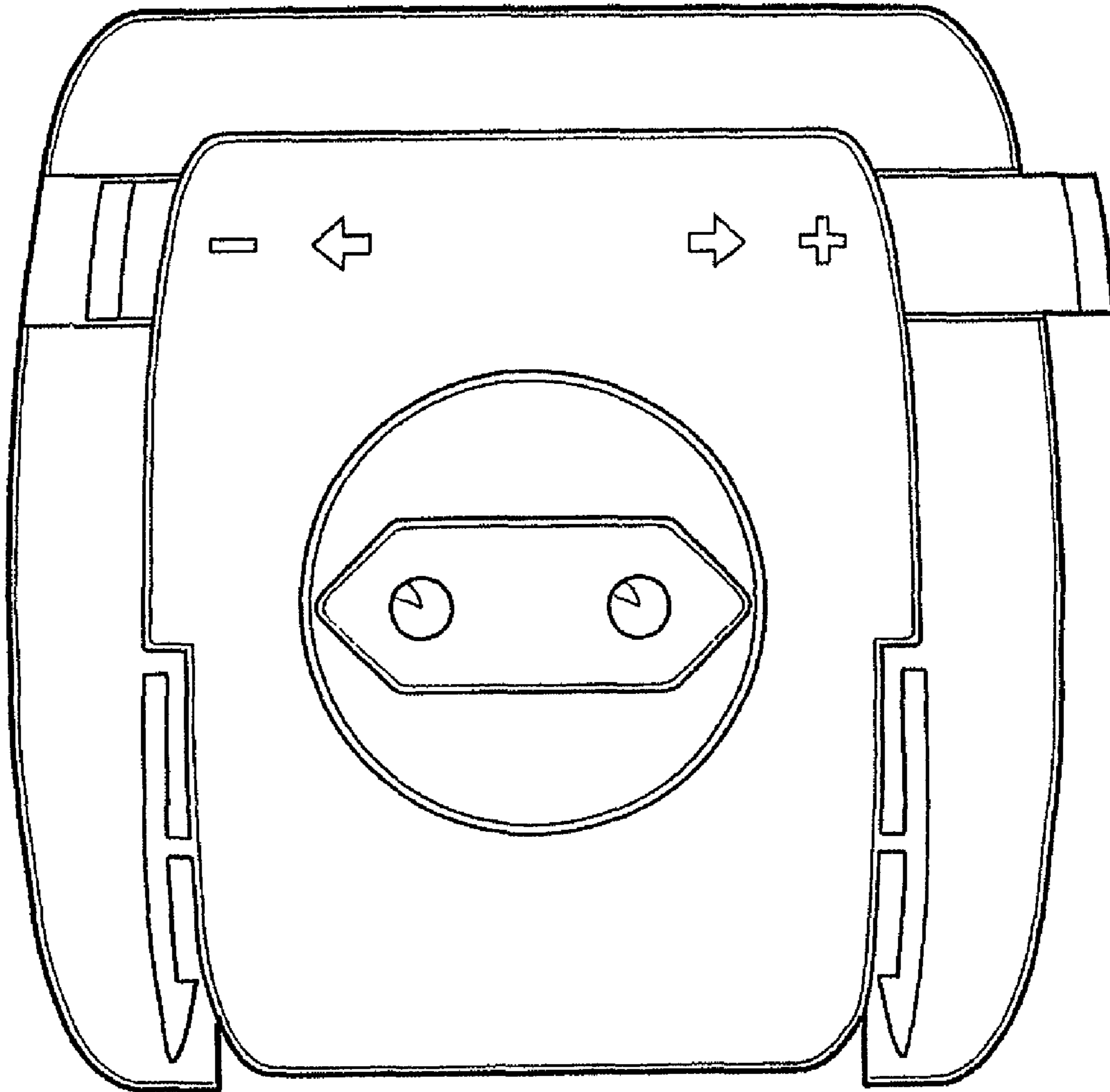


FIG. 7