



US00D535734S

(12) **United States Design Patent**
Caserta et al.

(10) **Patent No.:** **US D535,734 S**

(45) **Date of Patent:** **** Jan. 23, 2007**

(54) **VAPORIZER FOR CARS**

(75) Inventors: **Andrea Caserta**, Barcelona (ES);
Ruben Garcia Fabrega, Barcelona
(ES); **Javier Alvarez Leal**, Barcelona
(ES)

(73) Assignee: **Zobeles Espana, S.A.**, Barcelona (ES)

(**) Term: **14 Years**

(21) Appl. No.: **29/227,331**

(22) Filed: **Apr. 8, 2005**

(51) **LOC (8) Cl.** **28-99**

(52) **U.S. Cl.** **D23/366**

(58) **Field of Classification Search** 392/386,
392/390-394, 398, 401, 403, 405-406; 239/135-136,
239/34, 35, 56-58, 37, 41, 42, 60; 261/DIG. 17,
261/DIG. 65, DIG. 88, DIG. 89; D23/355-369
See application file for complete search history.

(56) **References Cited**

U.S. PATENT DOCUMENTS

6,078,728	A	*	6/2000	O'Rourke et al.	392/390
D465,019	S	*	10/2002	Wu	D23/366
D473,638	S	*	4/2003	Cruver, IV	D23/366
D480,792	S	*	10/2003	Millan	D23/366
D481,787	S	*	11/2003	Millan	D23/366

D485,340	S	*	1/2004	Wu	D23/366
D485,341	S	*	1/2004	Wu	D23/366
D501,921	S	*	2/2005	Caserta et al.	D23/366
D508,558	S	*	8/2005	Wolpert et al.	D23/366
D516,692	S	*	3/2006	Caserta et al.	D23/366
D519,622	S	*	4/2006	Cocchi	D23/366

* cited by examiner

Primary Examiner—Sandra S. Snapp

(74) *Attorney, Agent, or Firm*—Katten Muchin Rosenman
LLP

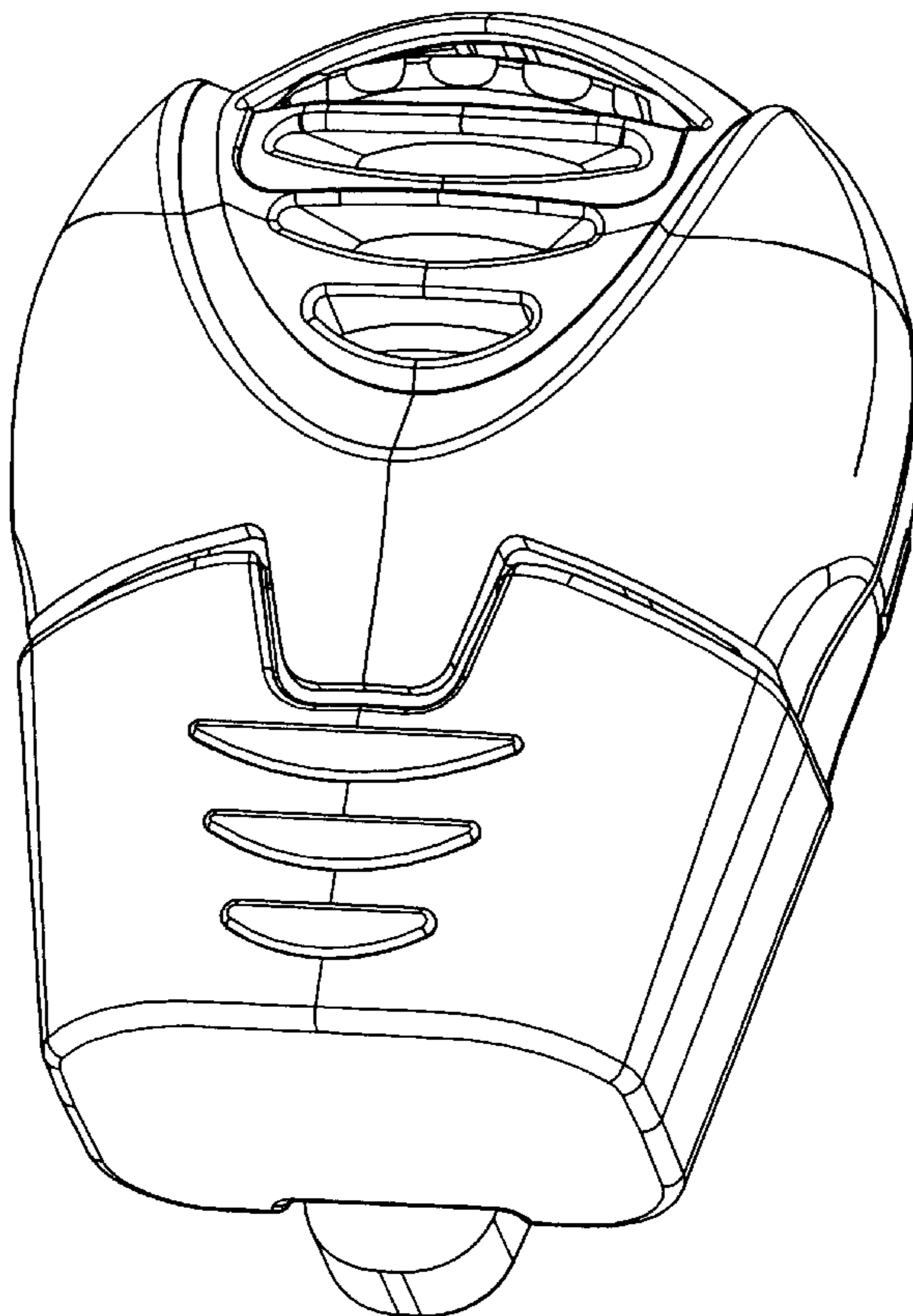
(57) **CLAIM**

The ornamental design for a vaporizer for cars, as shown and described.

DESCRIPTION

FIG. 1 is a front perspective view of the vaporizer for cars showing our new design;
FIG. 2 is a back perspective view taken from the right side thereof;
FIG. 3 is a front view thereof;
FIG. 4 is a right side view thereof;
FIG. 5 is a top view thereof;
FIG. 6 is a rear view thereof;
FIG. 7 is a left side view thereof; and,
FIG. 8 is a bottom view thereof.

1 Claim, 8 Drawing Sheets



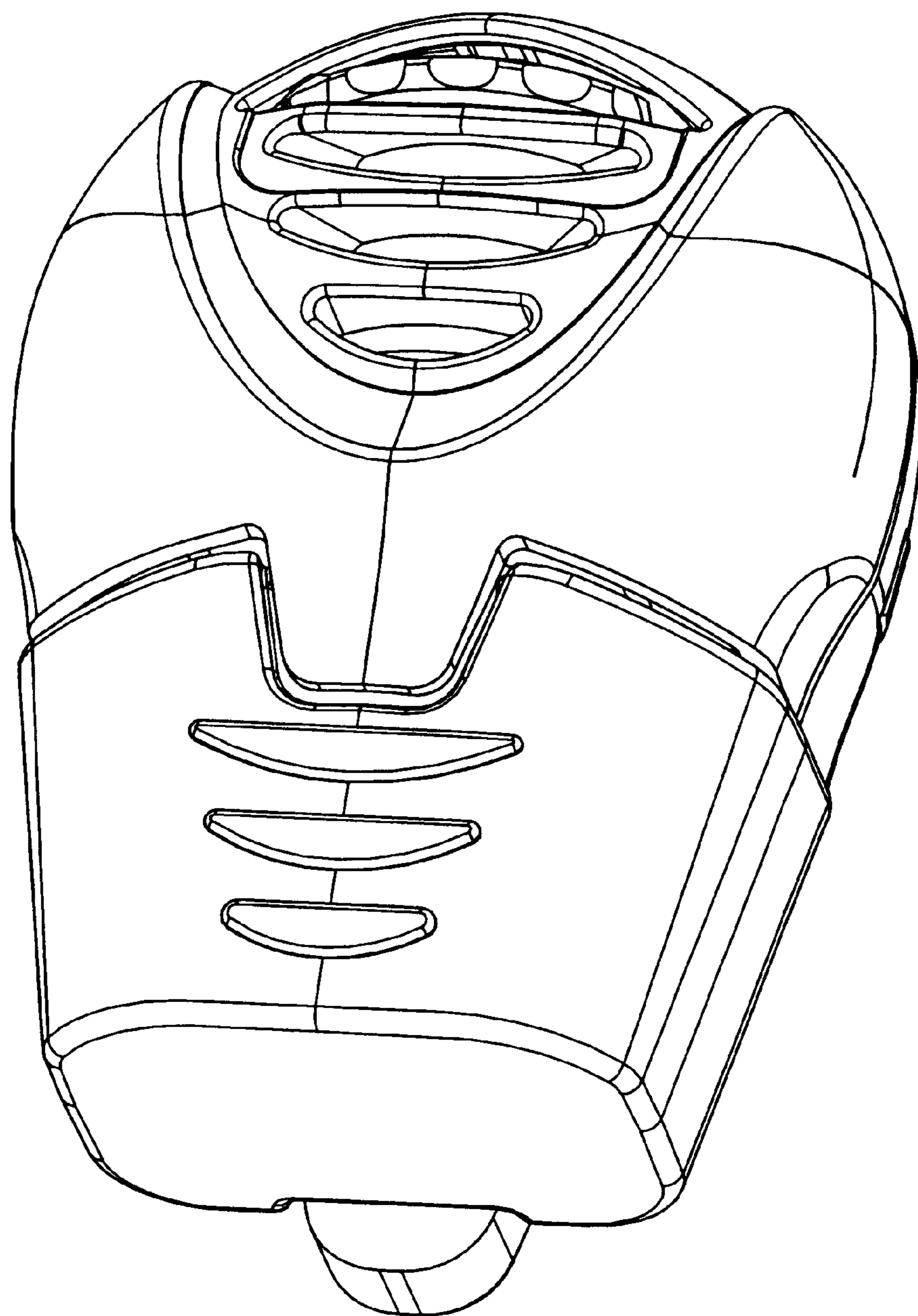


FIG. 1

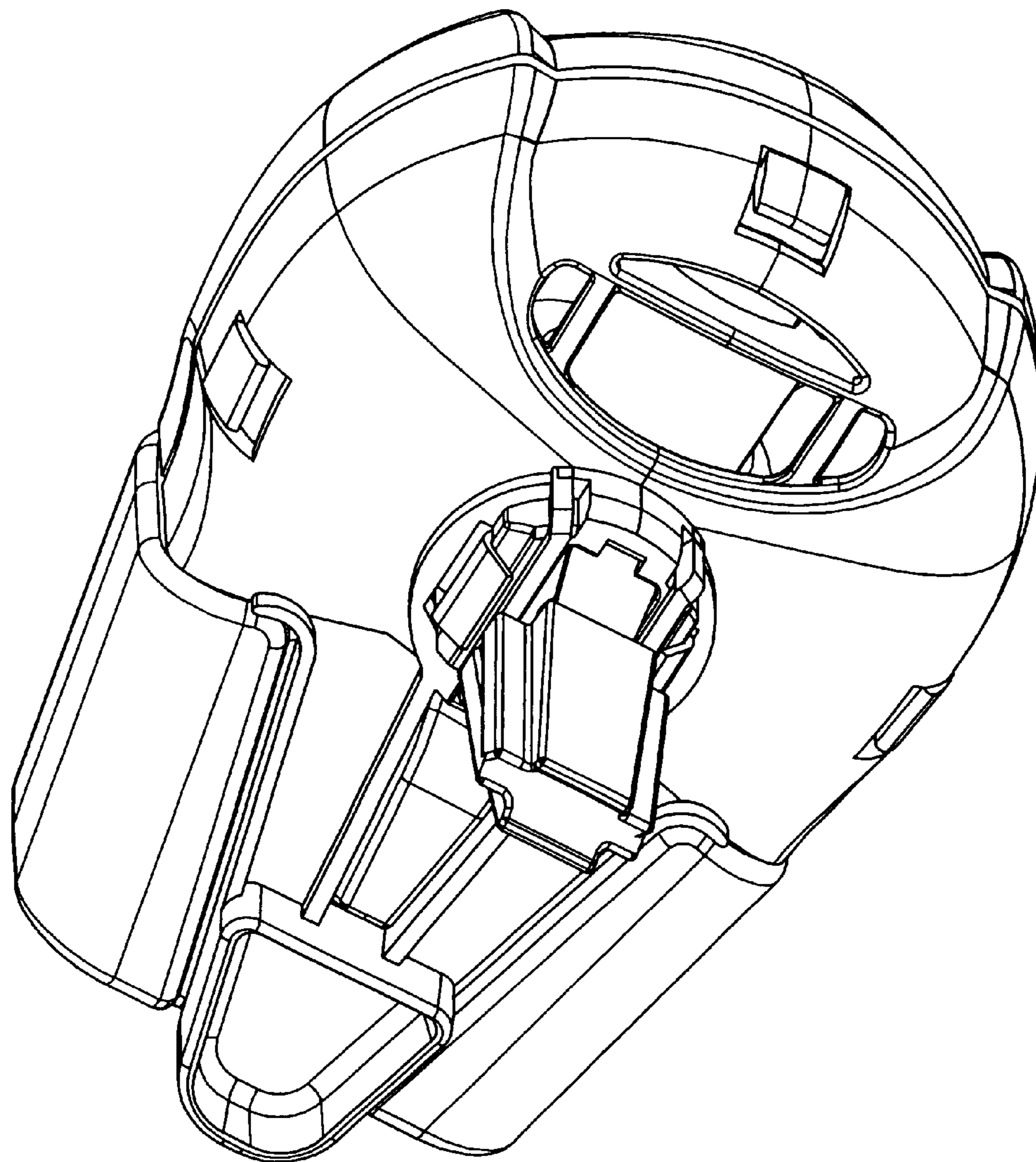


FIG. 2

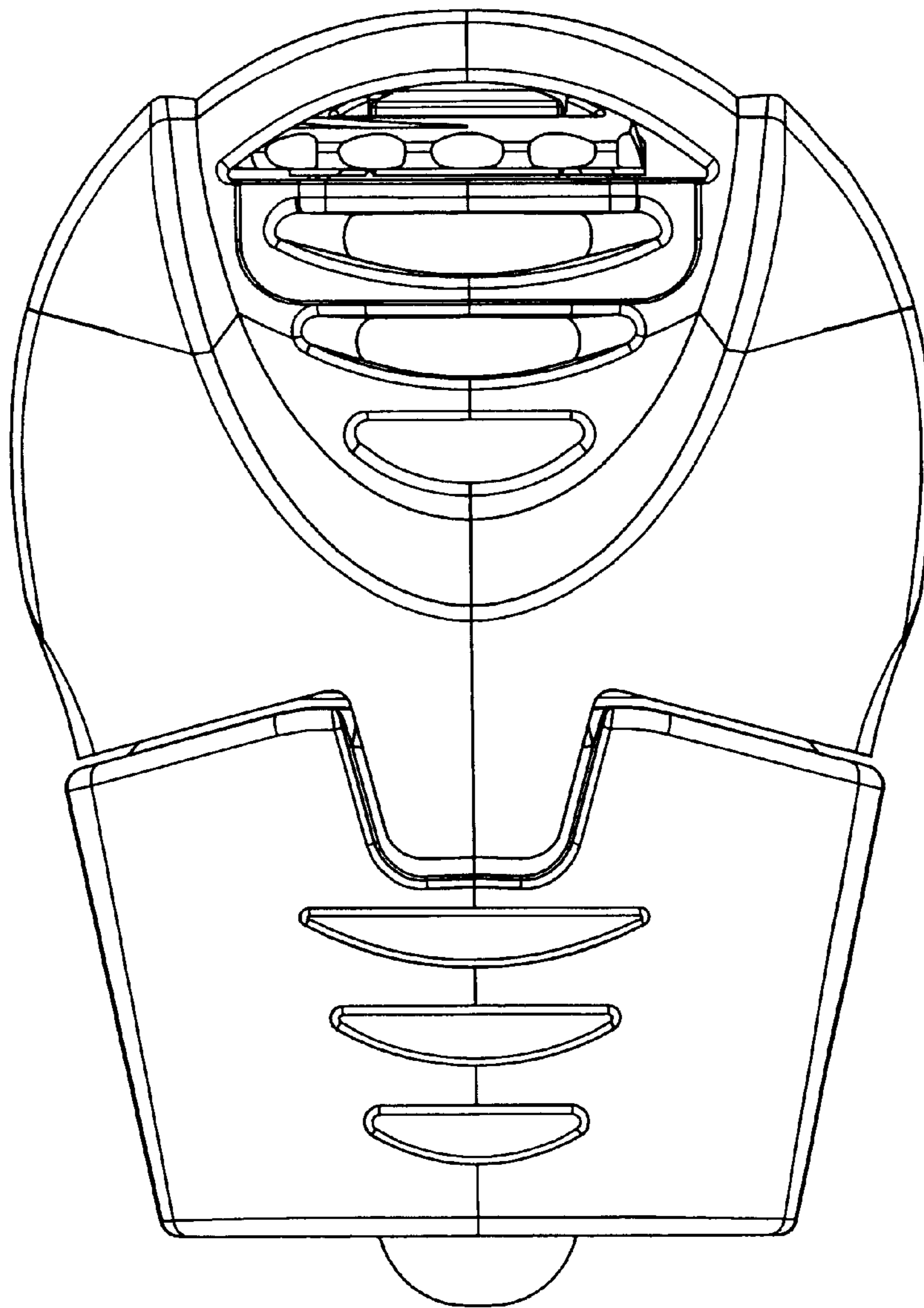


FIG. 3

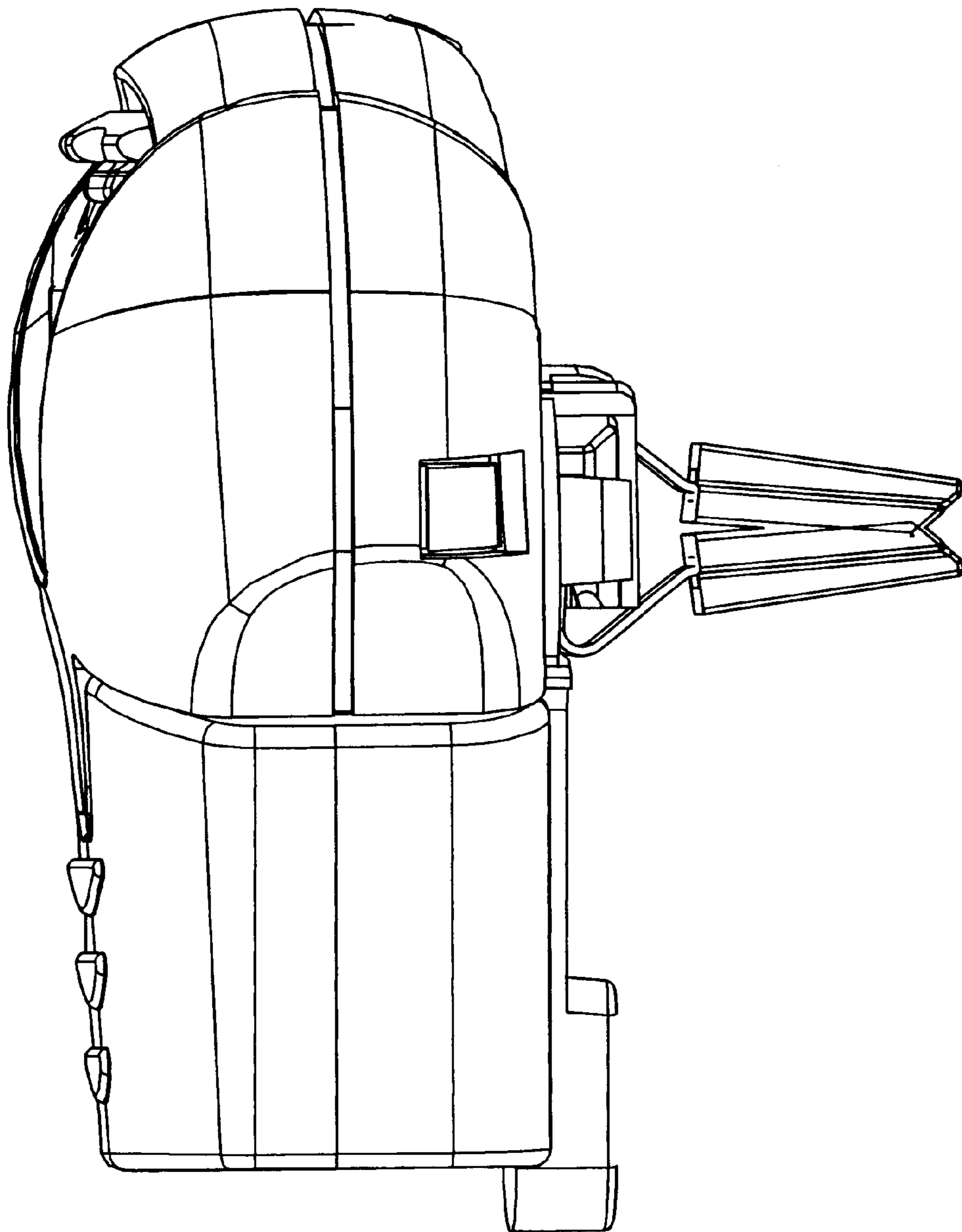


FIG. 4

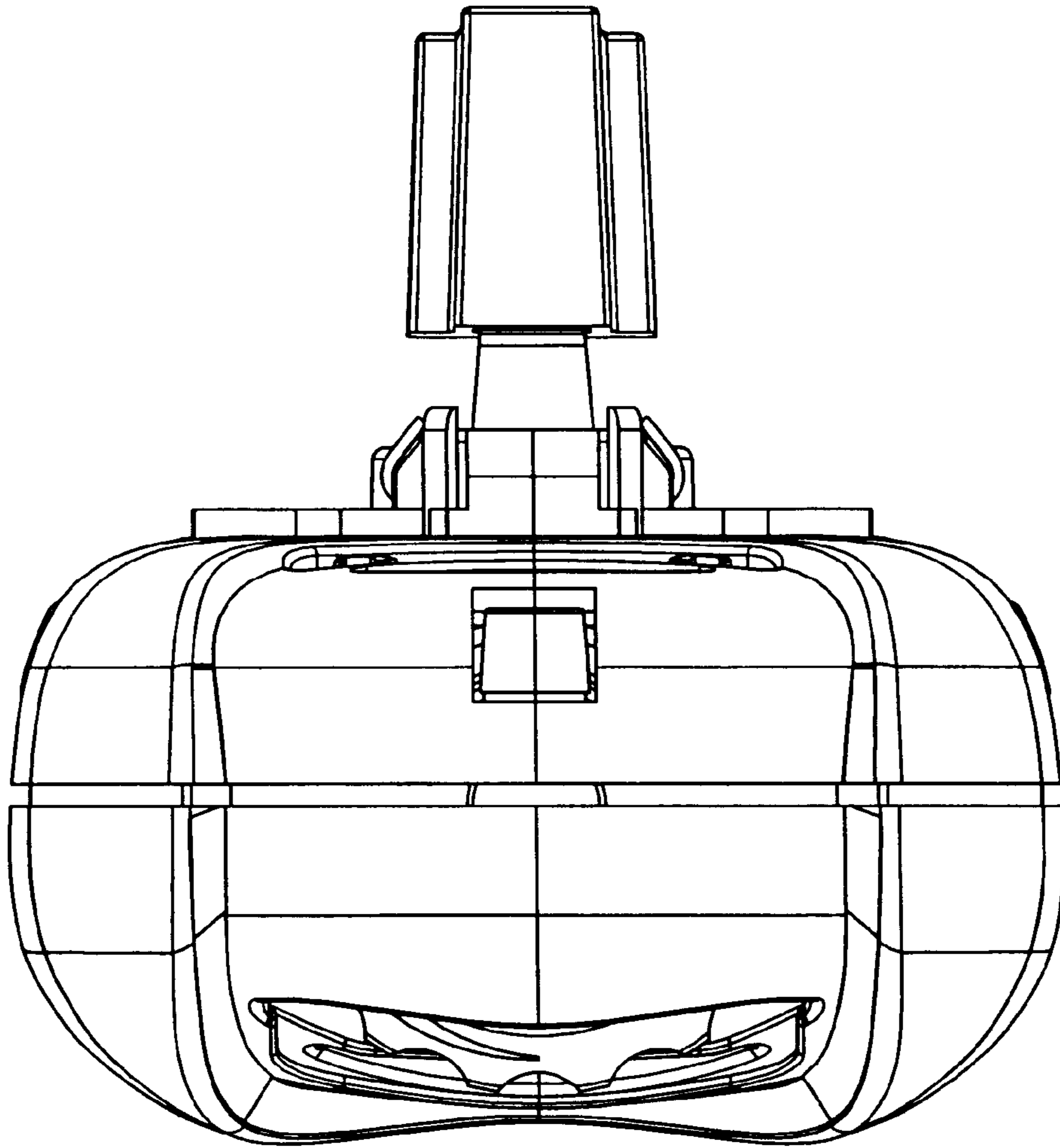


FIG. 5

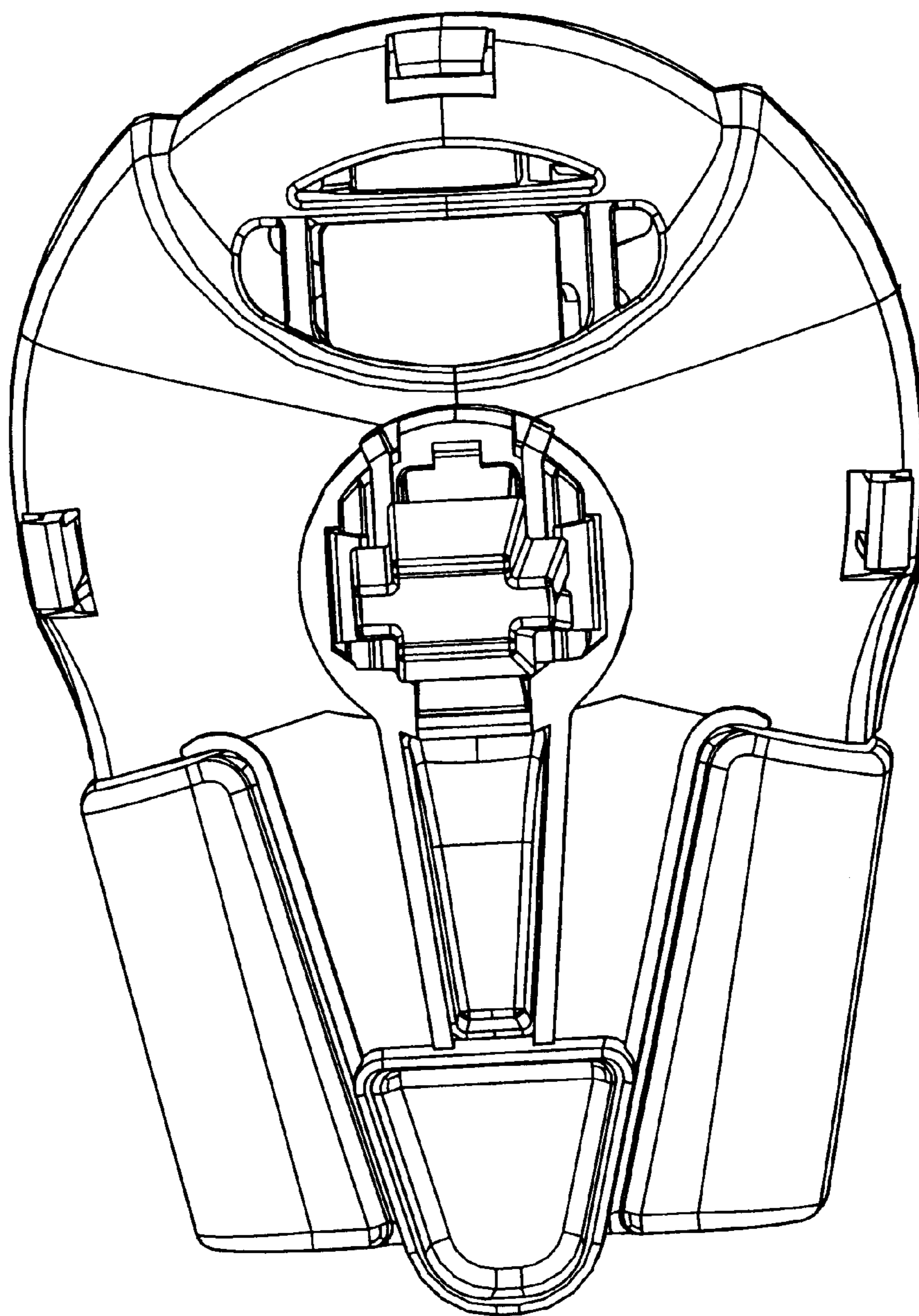


FIG. 6

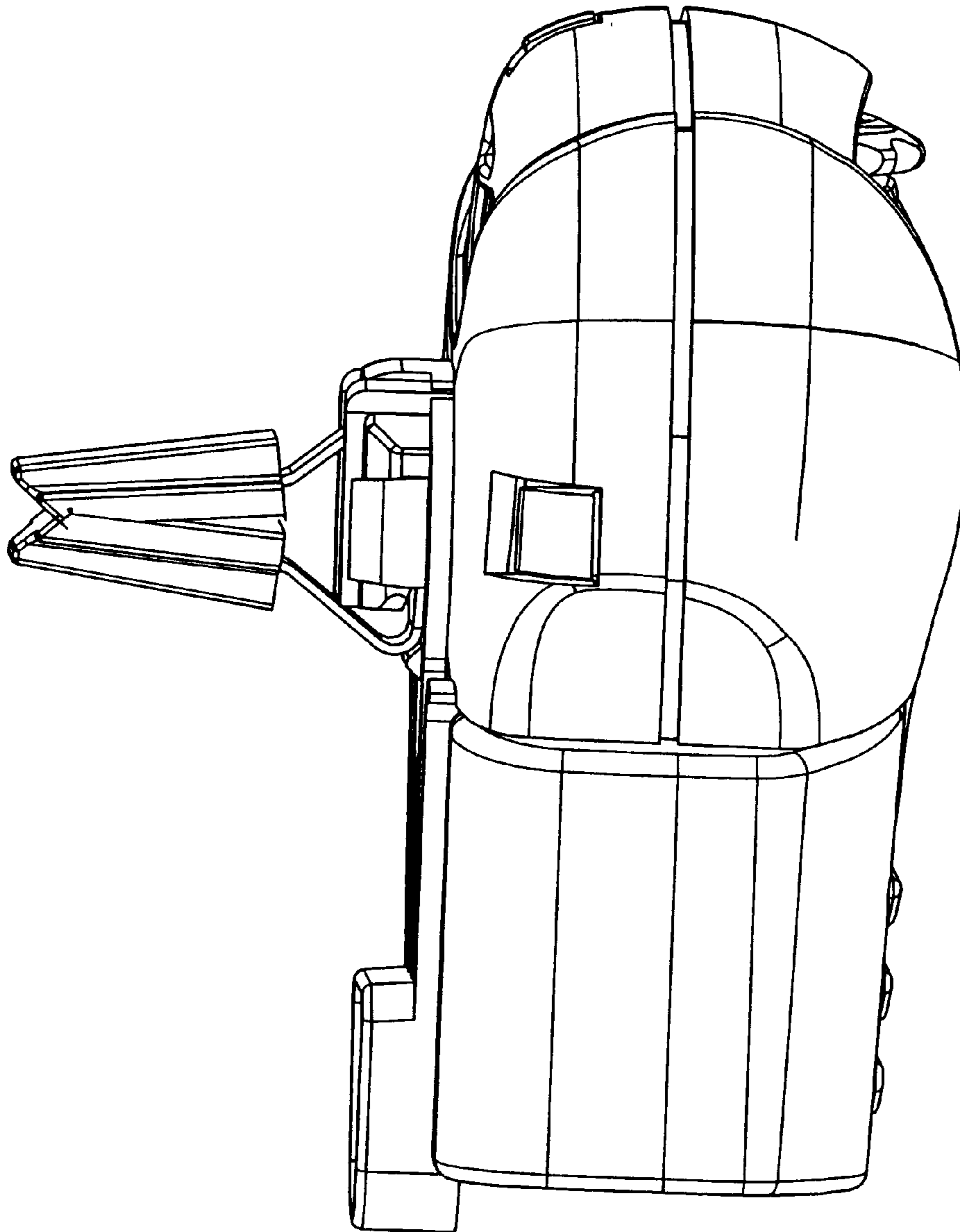


FIG. 7

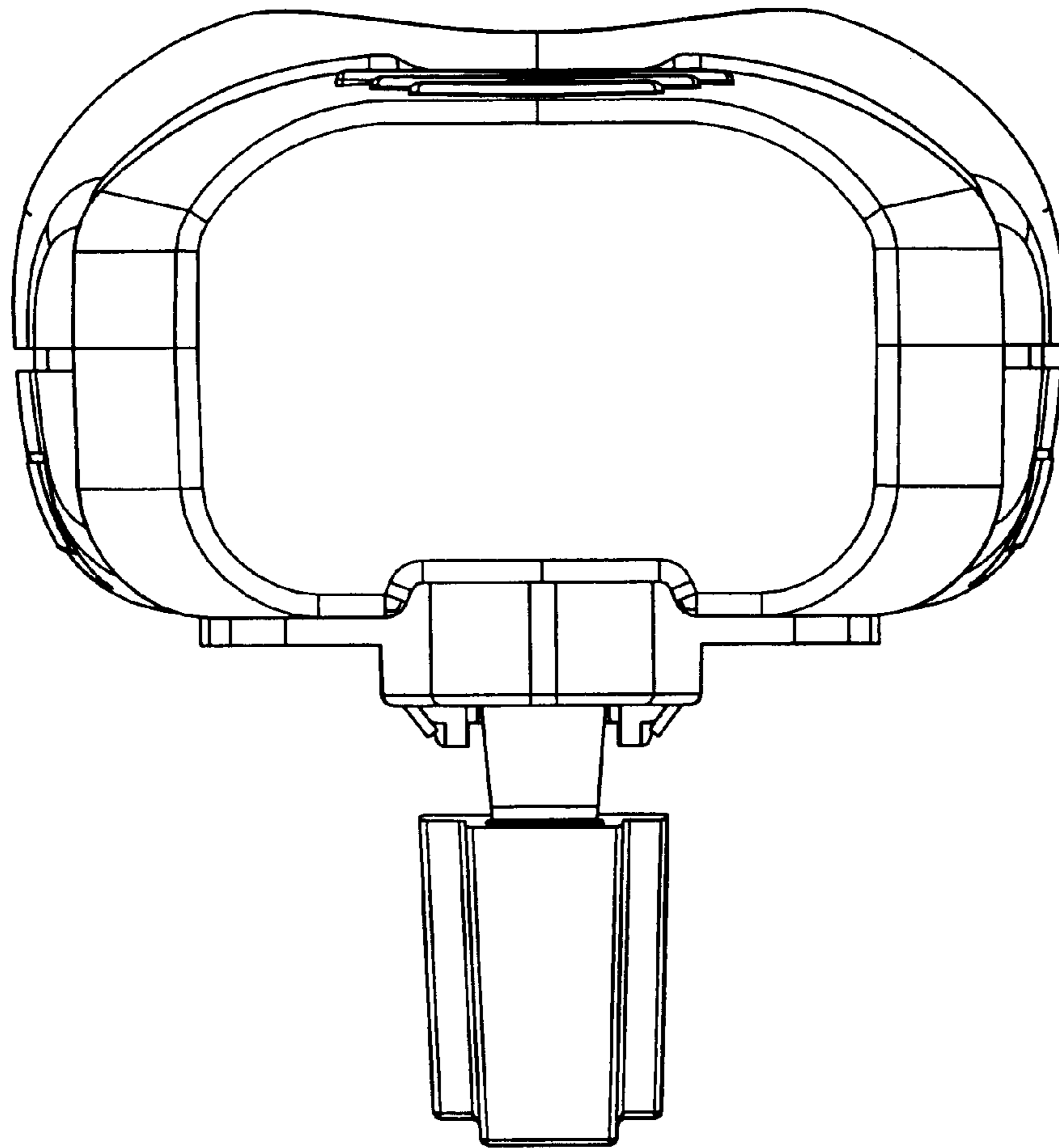


FIG. 8