



US00D535732S

(12) **United States Design Patent**
Klopp, III

(10) **Patent No.:** **US D535,732 S**

(45) **Date of Patent:** **** Jan. 23, 2007**

(54) **PORTION OF A VEHICLE VENT OUTLET**

(75) Inventor: **John A. Klopp, III**, Hermosa Beach,
CA (US)

(73) Assignee: **Honda Motor Co., Ltd.**, Tokyo (JP)

(**) Term: **14 Years**

(21) Appl. No.: **29/245,497**

(22) Filed: **Dec. 27, 2005**

(51) **LOC (8) Cl.** **12-16**

(52) **U.S. Cl.** **D23/327; D12/195**

(58) **Field of Classification Search** D12/192,
D12/195, 114; D10/30, 38; D23/327, 390,
D23/370; D26/35, 36

See application file for complete search history.

(56) **References Cited**

U.S. PATENT DOCUMENTS

D381,614 S	*	7/1997	Ma	D12/192
D434,672 S	*	12/2000	Berliat	D10/30
D435,491 S	*	12/2000	Kecman et al.	D12/114
D468,008 S	*	12/2002	Fraser et al.	D23/390
D475,957 S	*	6/2003	Machinek	D12/192

D491,853 S	*	6/2004	Sato et al.	D12/192
D496,896 S	*	10/2004	Tahira et al.	D12/192
D499,367 S	*	12/2004	Sauter et al.	D12/192
6,866,318 B1	*	3/2005	Stevenson	296/37.12
D506,819 S	*	6/2005	Stobart	D23/370
D512,357 S	*	12/2005	Schuttera	D12/192
D512,671 S	*	12/2005	Juraschek	D12/192
D514,968 S	*	2/2006	Tahira et al.	D10/102

* cited by examiner

Primary Examiner—Louis S. Zarfaz

Assistant Examiner—Anna Dworzecka

(74) *Attorney, Agent, or Firm*—Plumsea Law Group, LLC

(57) **CLAIM**

The ornamental design for a portion of a vehicle vent outlet,
as shown and described.

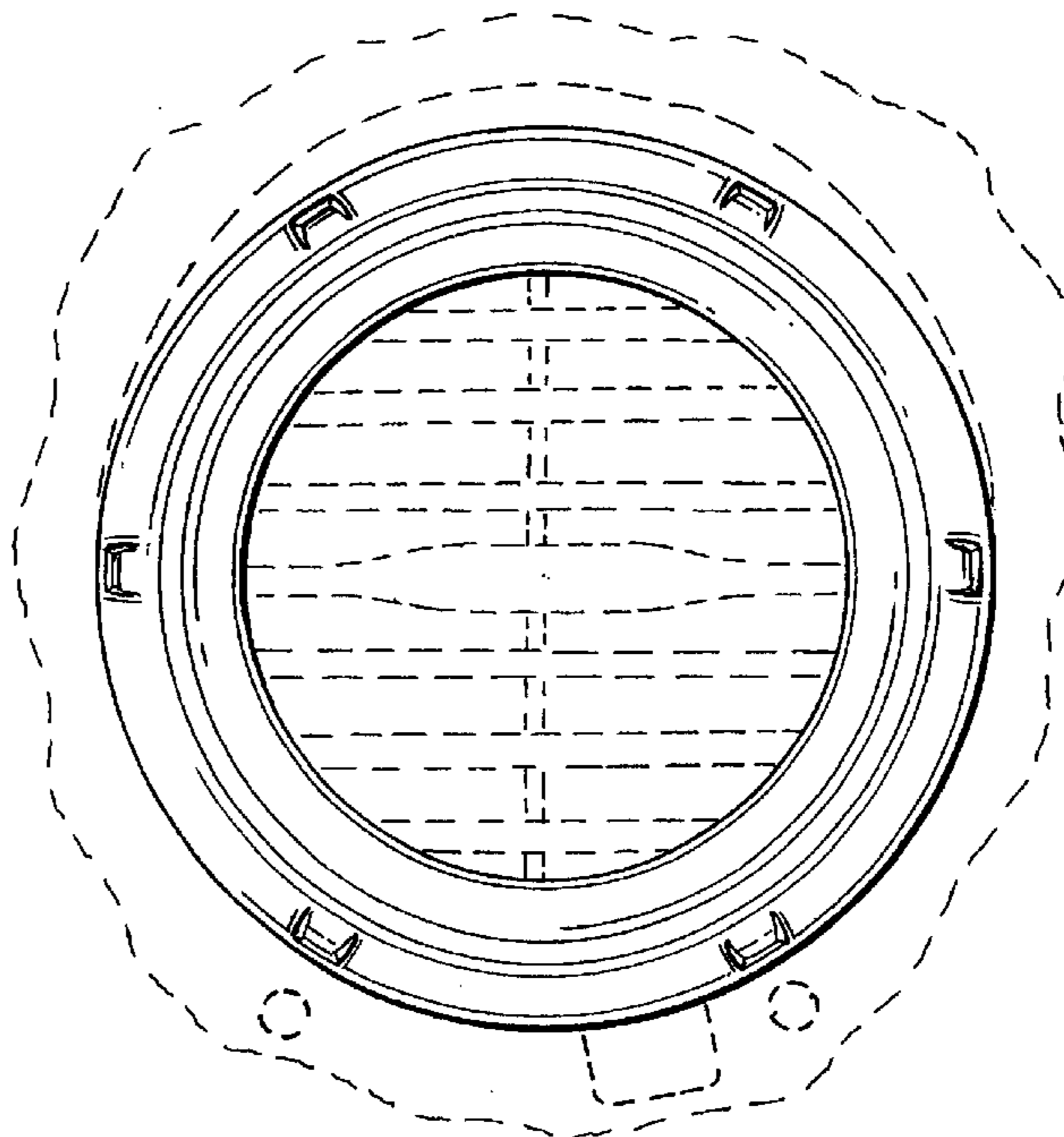
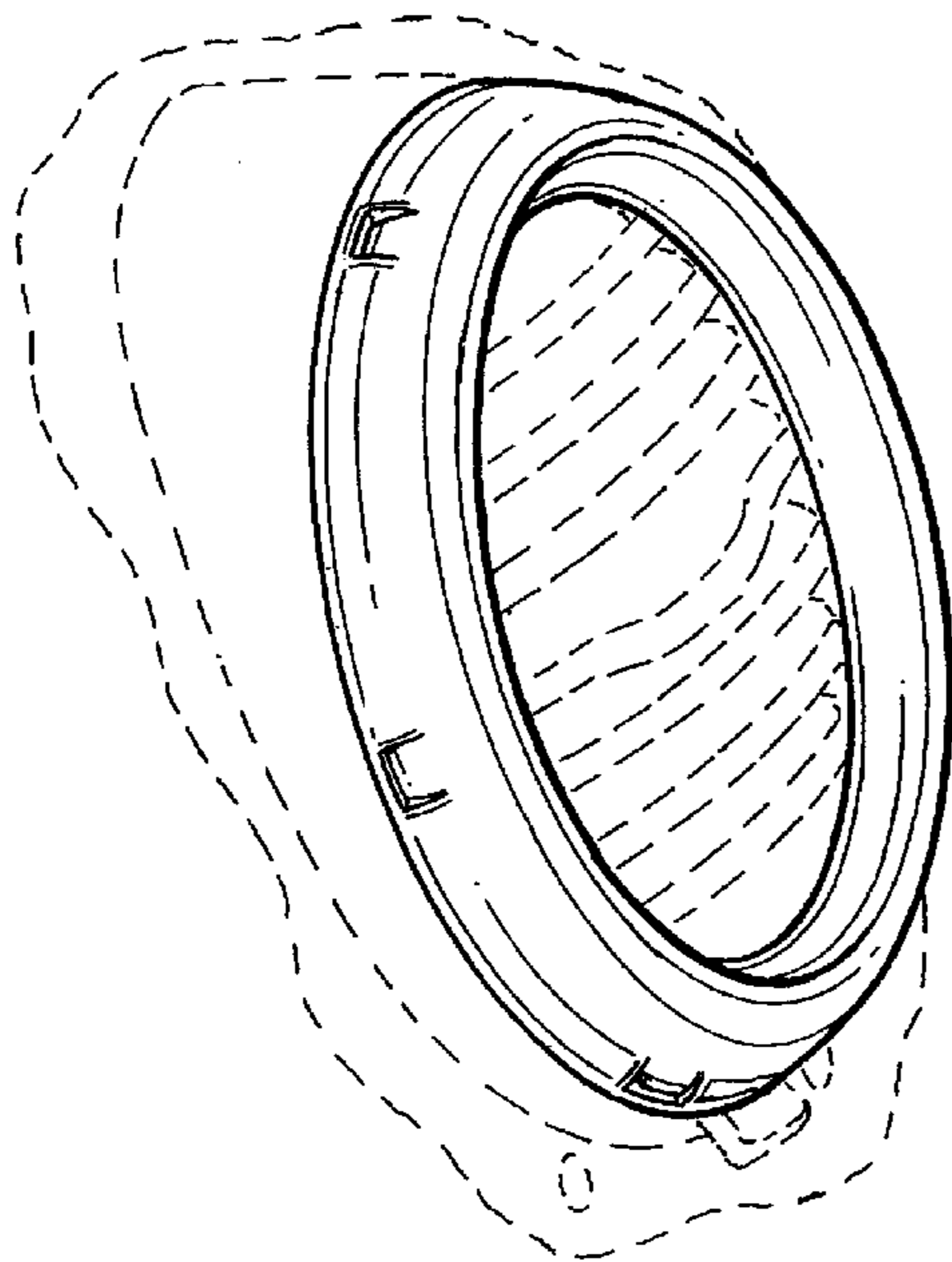
DESCRIPTION

FIG. 1 is a perspective view of portion of a vehicle vent
outlet showing my new design; and,

FIG. 2 is an elevational view thereof.

The broken line showings of the vent louvers and the
surrounding dash area are for illustrative purposes only and
form no part of the claimed design.

1 Claim, 1 Drawing Sheet



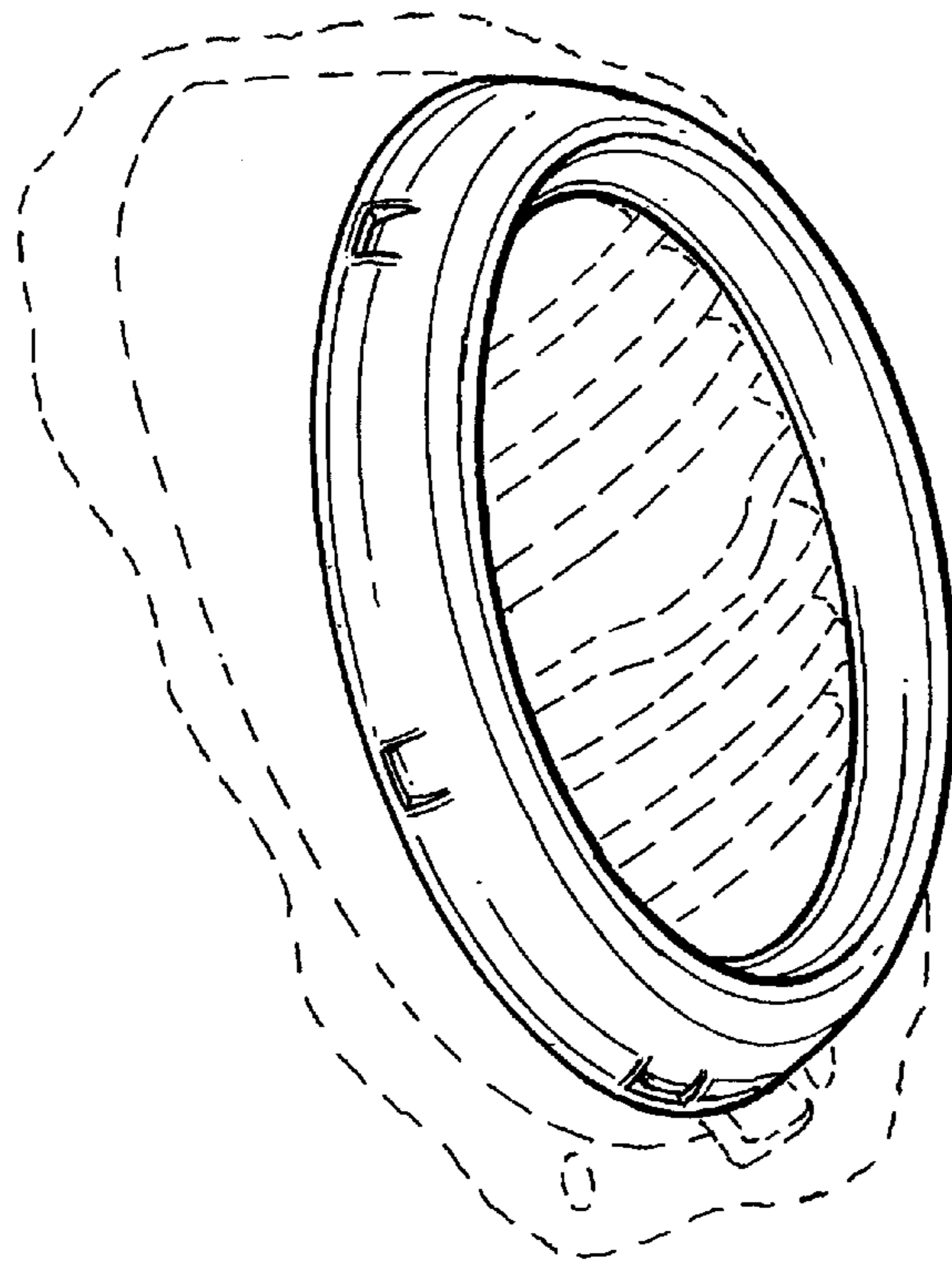


FIG. 1

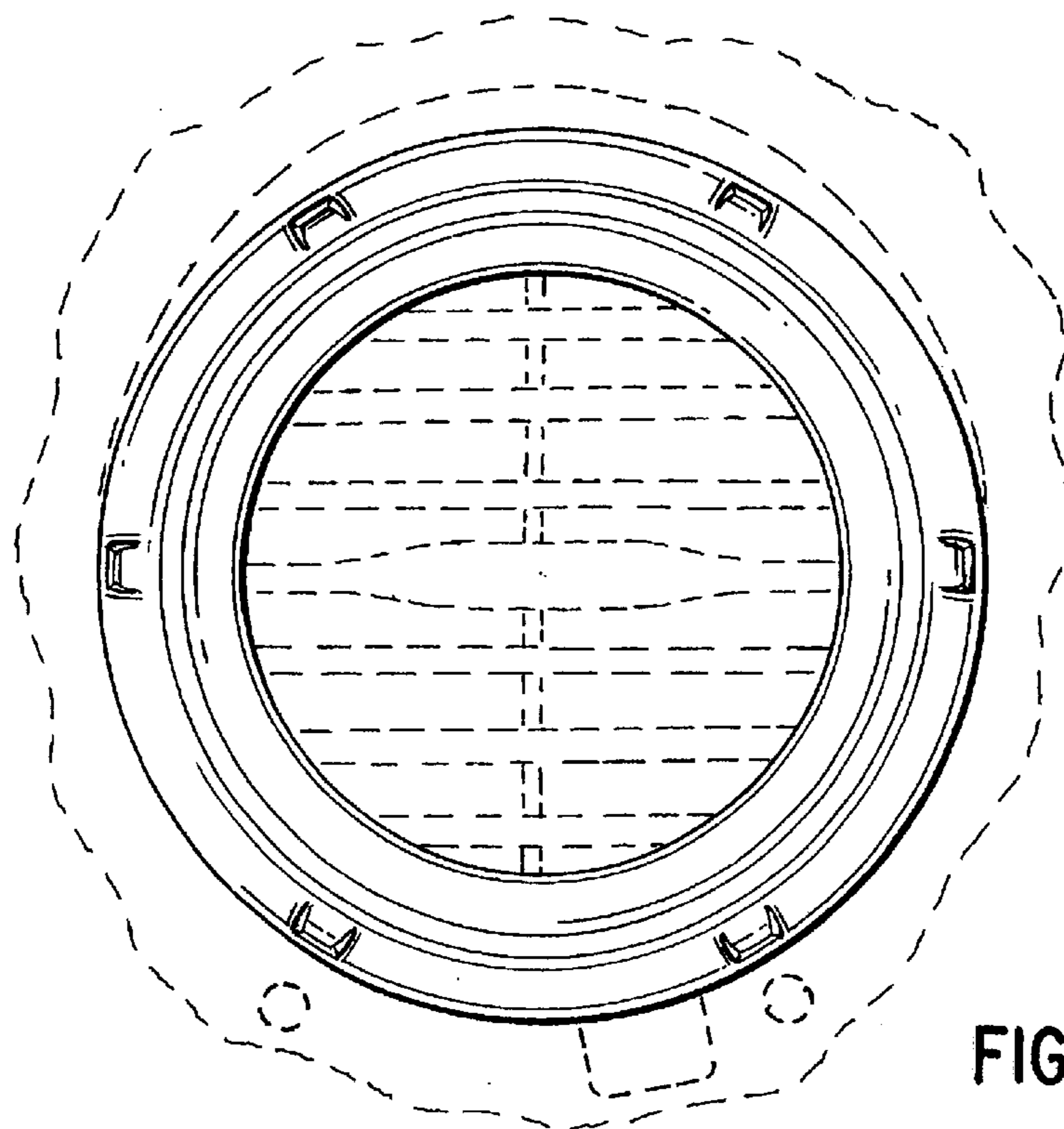


FIG. 2