



US00D535728S

(12) **United States Design Patent**  
**Helmetsie**

(10) **Patent No.:** **US D535,728 S**

(45) **Date of Patent:** **\*\* Jan. 23, 2007**

(54) **TUB WITH CABINET**

D464,330 S \* 10/2002 Zarker, Jr. .... D23/286

(75) Inventor: **Eugene A. Helmetsie**, Spencer, NY  
(US)

\* cited by examiner

(73) Assignee: **American Shower & Bath Corporation**, Moorestown, NJ (US)

*Primary Examiner*—Robert A. Delehanty  
(74) *Attorney, Agent, or Firm*—Nirav D. Parikh; Lloyd D. Doigan

(\*\*) Term: **14 Years**

(57) **CLAIM**

(21) Appl. No.: **29/221,979**

The ornamental design for a tub with cabinet, as shown and described.

(22) Filed: **Jan. 25, 2005**

**DESCRIPTION**

(51) **LOC (8) Cl.** ..... **23-02**

(52) **U.S. Cl.** ..... **D23/286**

(58) **Field of Classification Search** ..... D23/273,  
D23/284–290, 293.1, 303, 308; 4/619–620,  
4/624–625, 630–631, 661; 312/140.1–140.3,  
312/204, 228; D6/398, 432–434, 441, 445–448,  
D6/509–510; D7/334, 338–340

FIG. 1 is a perspective view of a tub with cabinet showing the front and right side of my new design;

FIG. 2 is a left side perspective view, the right side being a mirror image thereof;

FIG. 3 is a top perspective view showing the front and left side thereof; and,

FIG. 4 is a perspective showing the design.

See application file for complete search history.

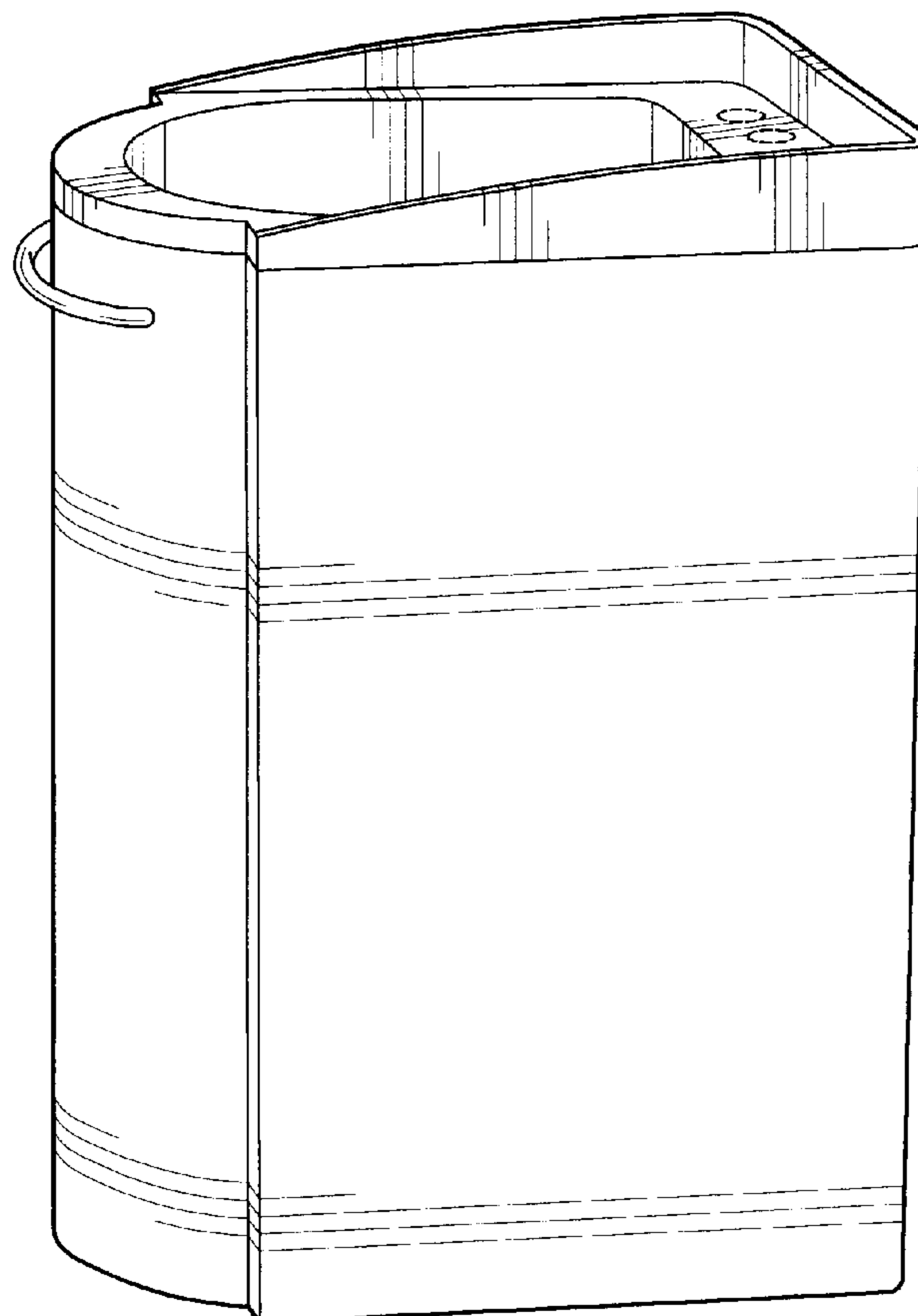
The broken lines shown are for illustrative purposes only and form no part of the claimed design.

(56) **References Cited**

**U.S. PATENT DOCUMENTS**

D451,303 S \* 12/2001 Lee ..... D6/446

**1 Claim, 2 Drawing Sheets**



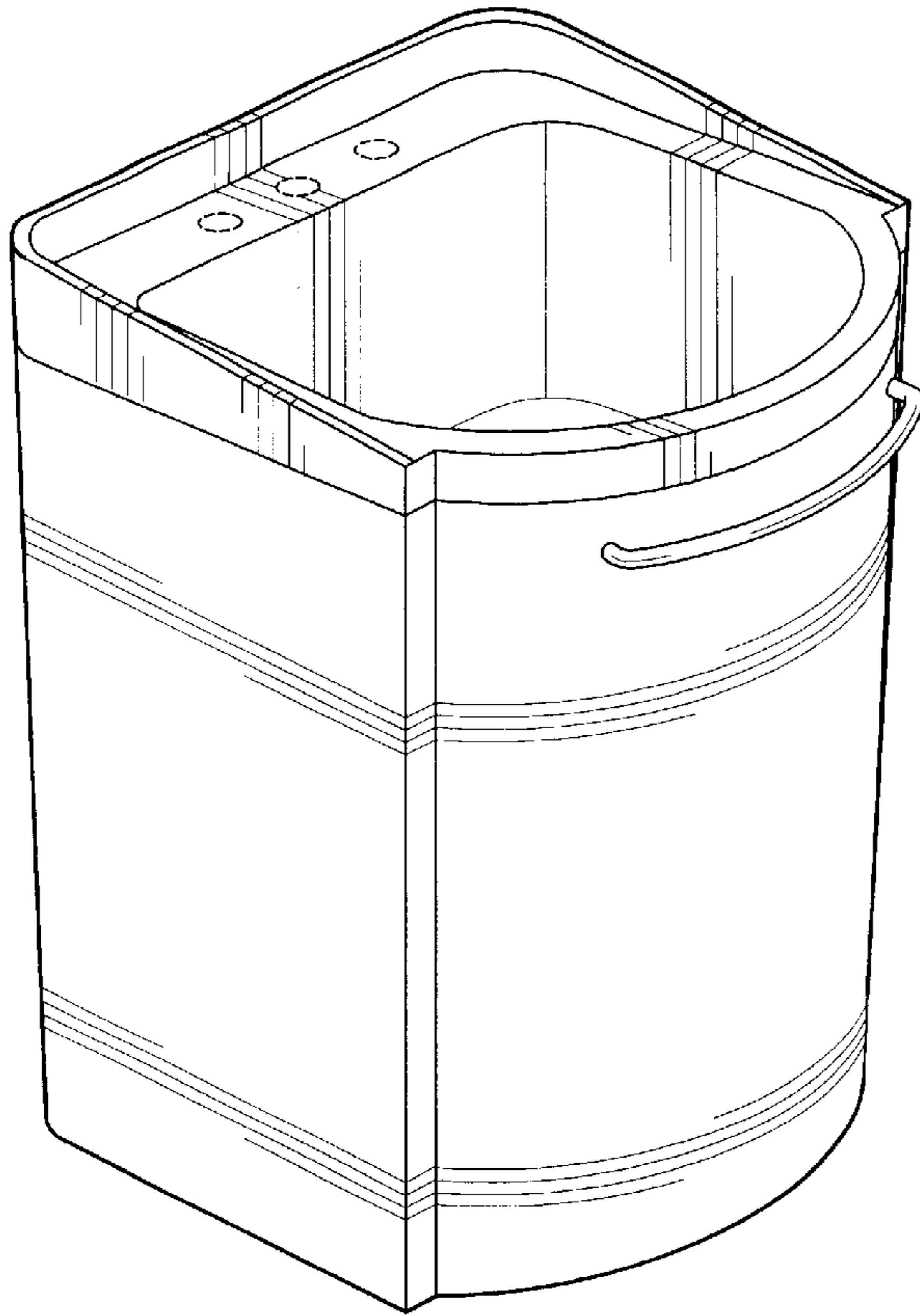


Fig-1

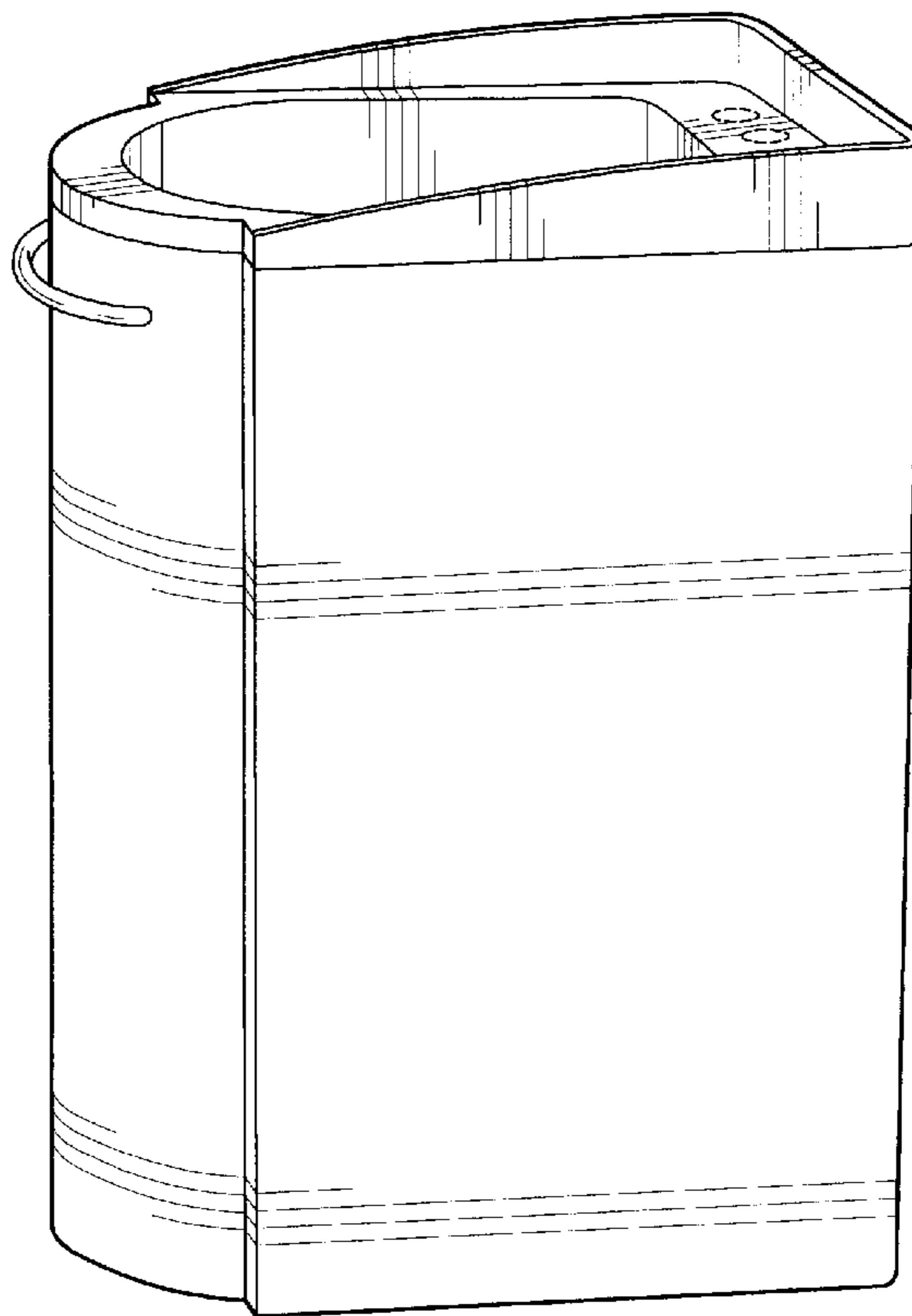


Fig-2

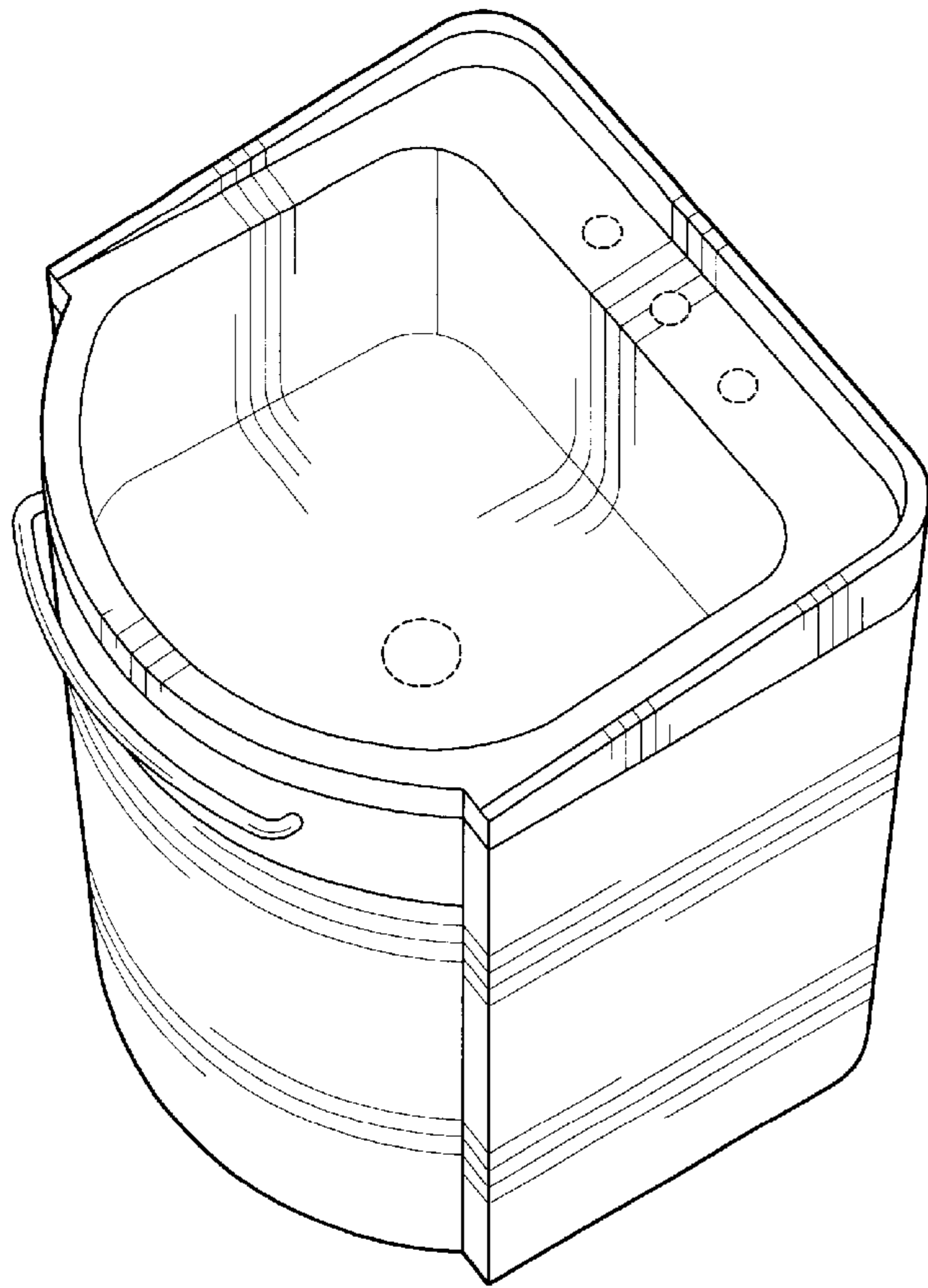


Fig-3

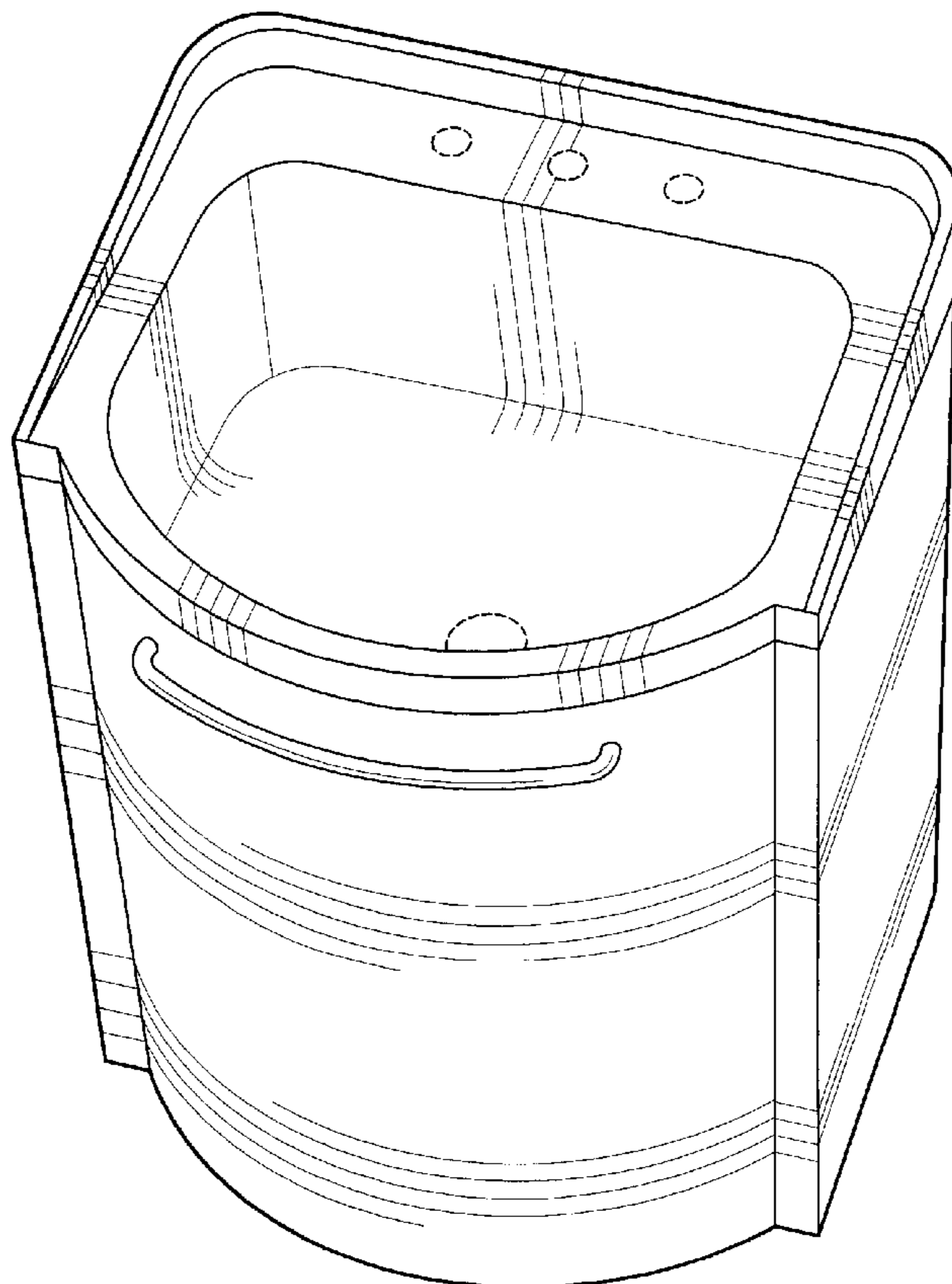


Fig-4