



US00D535727S

(12) **United States Design Patent**
Joseph et al.

(10) **Patent No.:** **US D535,727 S**
(45) **Date of Patent:** **** Jan. 23, 2007**

(54) **TUBING ADAPTER**
(75) Inventors: **Stephen C. P. Joseph**, Woodbury, MN
(US); **Neil Delbridge**, Atherstone (GB)
(73) Assignee: **3M Innovative Properties Company**,
St. Paul, MN (US)
(**) Term: **14 Years**

DE 29 44 653 A1 5/1981
DE 35 17 122 C1 5/1986
DE 297 02 206 U1 5/1997
DE 202 02 123 U1 3/2003
EP 0 678 334 A2 10/1995
FR 433 879 1/1912
SU 108812 A 4/1984
WO WO 98/32539 7/1998

* cited by examiner

(21) Appl. No.: **29/193,913**
(22) Filed: **Nov. 14, 2003**

Primary Examiner—Robin Webster
(74) *Attorney, Agent, or Firm*—Douglas B. Little

(51) **LOC (8) Cl.** **23-01**
(52) **U.S. Cl.** **D23/259**
(58) **Field of Classification Search** D23/259,
D23/262; 239/302; 285/391
See application file for complete search history.

(57) **CLAIM**

The ornamental design for a tubing adapter, as shown and described.

(56) **References Cited**

DESCRIPTION

U.S. PATENT DOCUMENTS

906,217 A * 12/1908 Vitsur 285/391
3,899,004 A * 8/1975 Farelli 138/89
D284,604 S * 7/1986 Mathis D23/260
5,052,623 A 10/1991 Nordeen
D325,428 S * 4/1992 Vitsur D23/259
6,588,681 B2 7/2003 Rothrum et al.
2003/0213857 A1 11/2003 Schmon et al.

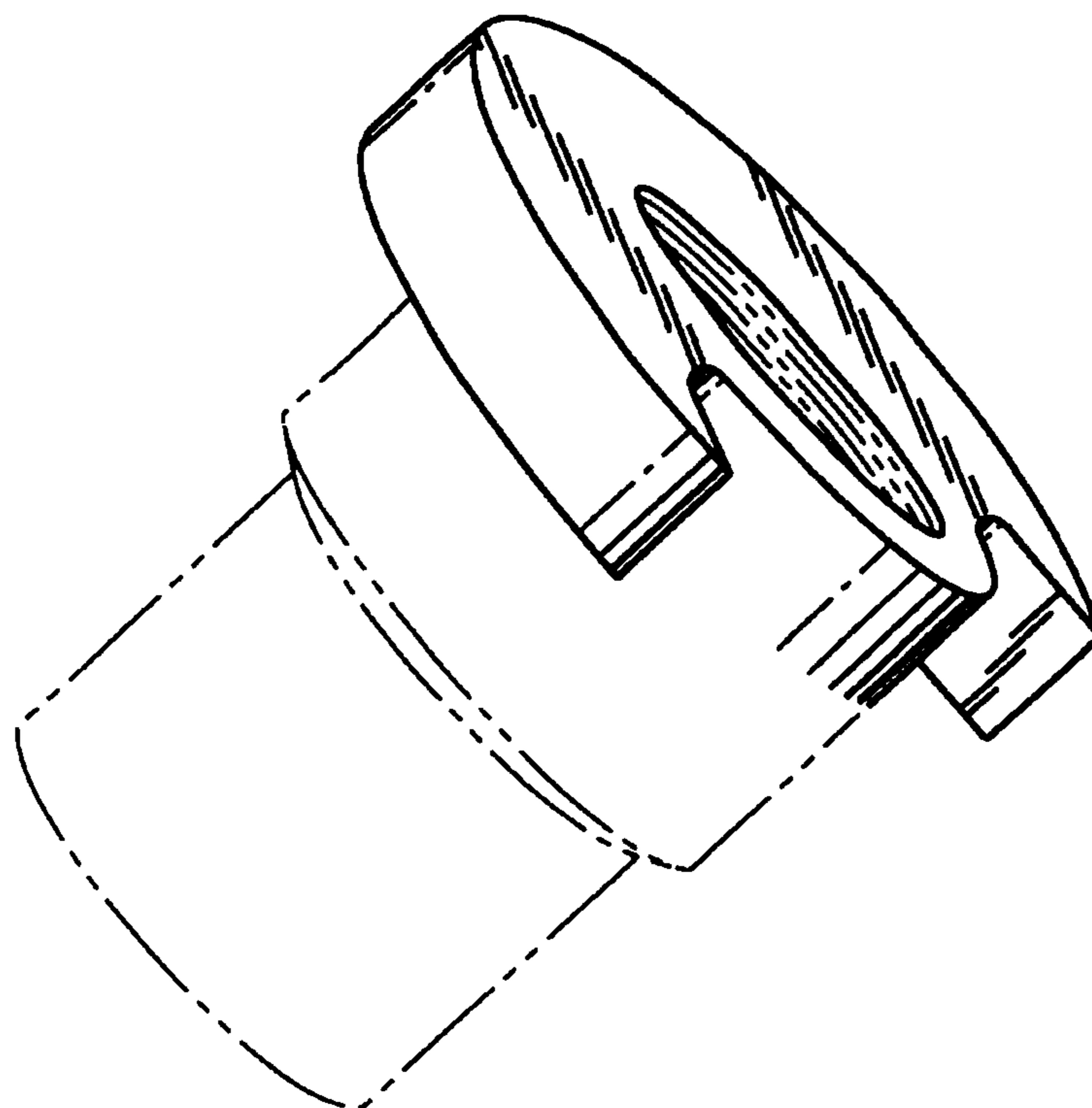
FIG. 1 is a perspective view of a tubing adapter showing our new design;
FIG. 2 is a front elevation view thereof;
FIG. 3 is a rear elevation thereof;
FIG. 4 is a left side view thereof, the right side being a mirror image;
FIG. 5 is a top view thereof; and,
FIG. 6 is a bottom view thereof.

Any shading shown in the drawings is provided merely to indicate contour. It is not indicative of texture, gloss, etc. The broken line showing is for illustrative purposes only and forms no part of the claimed design.

FOREIGN PATENT DOCUMENTS

CH 653574 A 1/1986

1 Claim, 2 Drawing Sheets



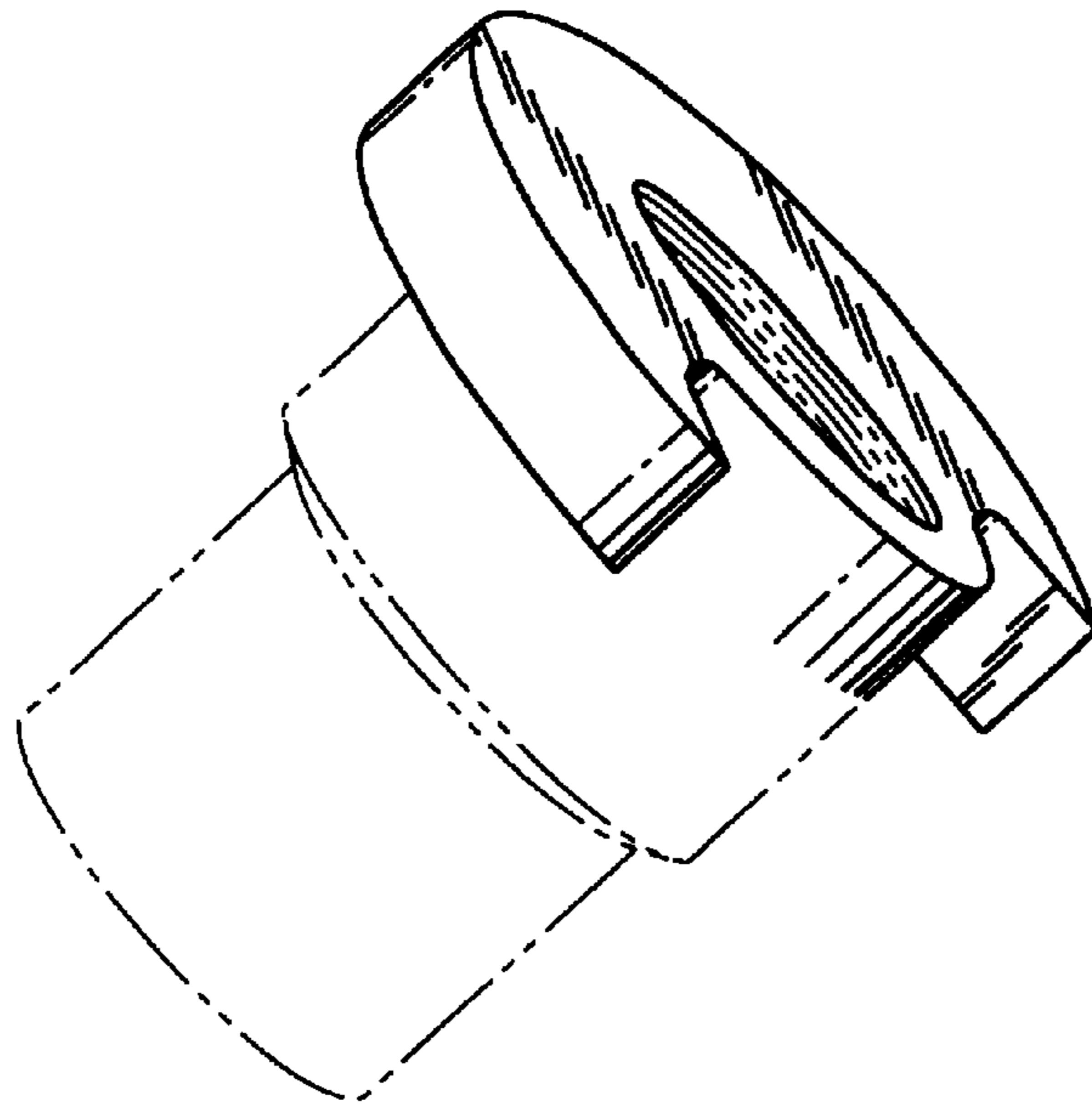


Fig. 1

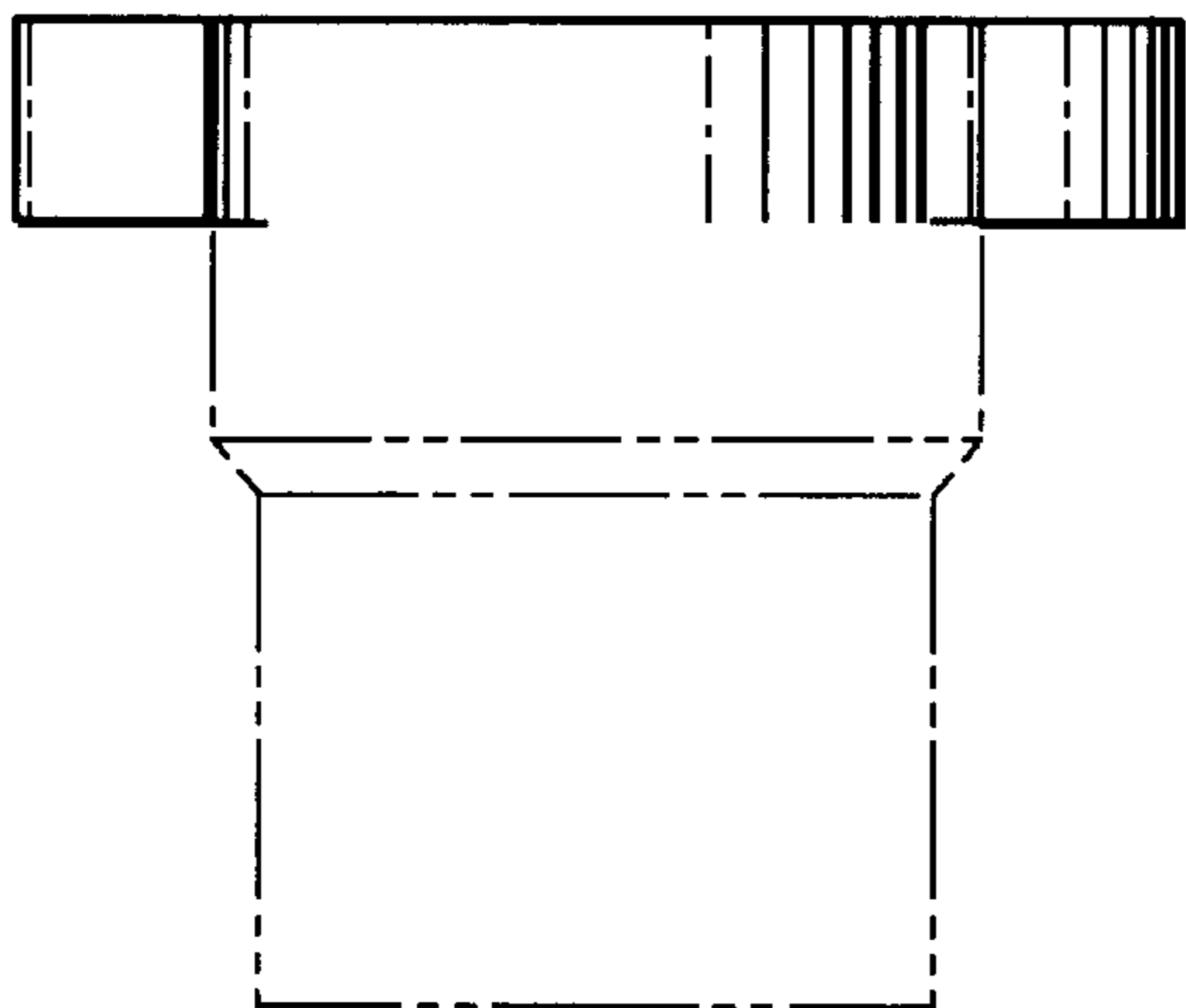


Fig. 2

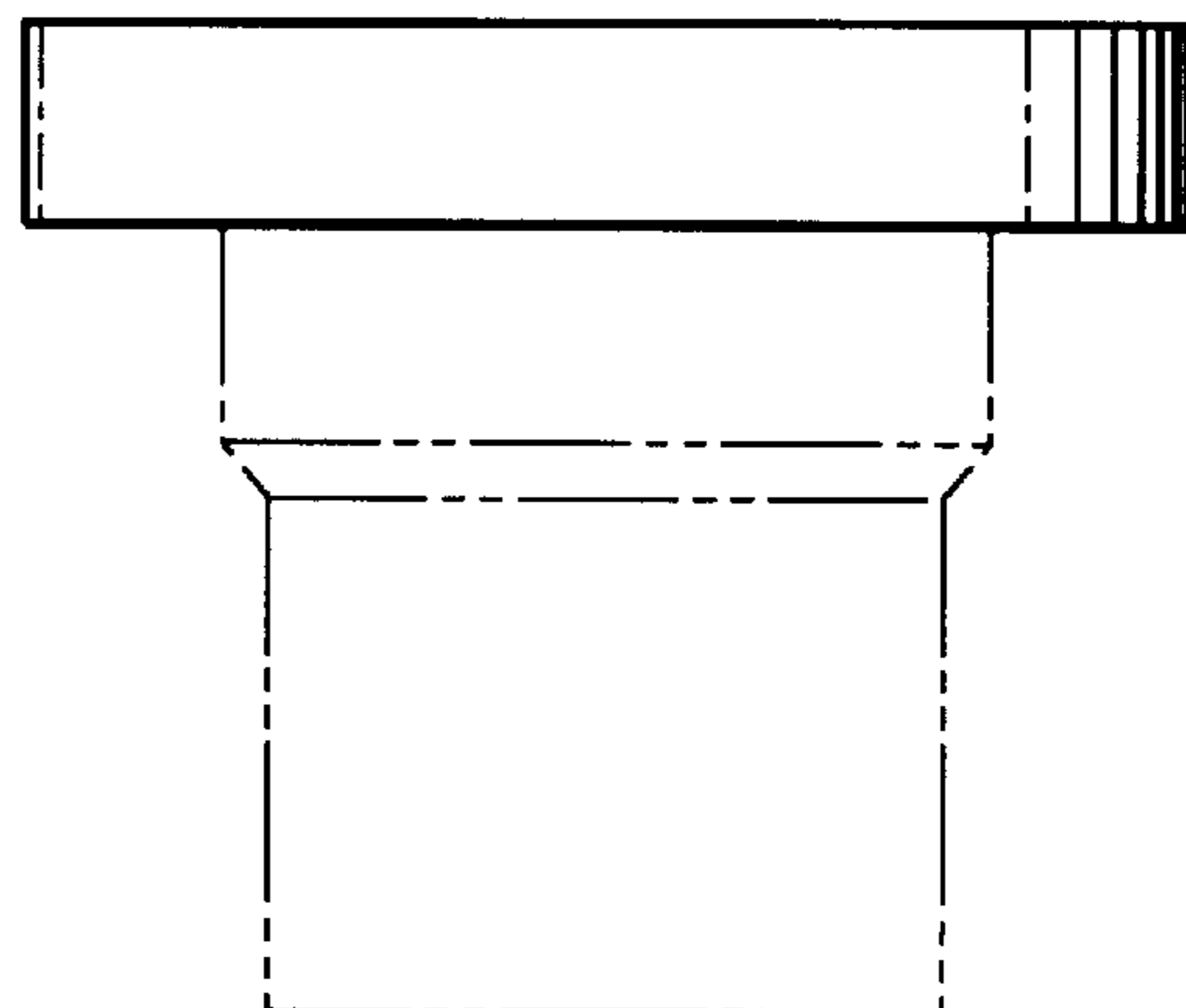


Fig. 3

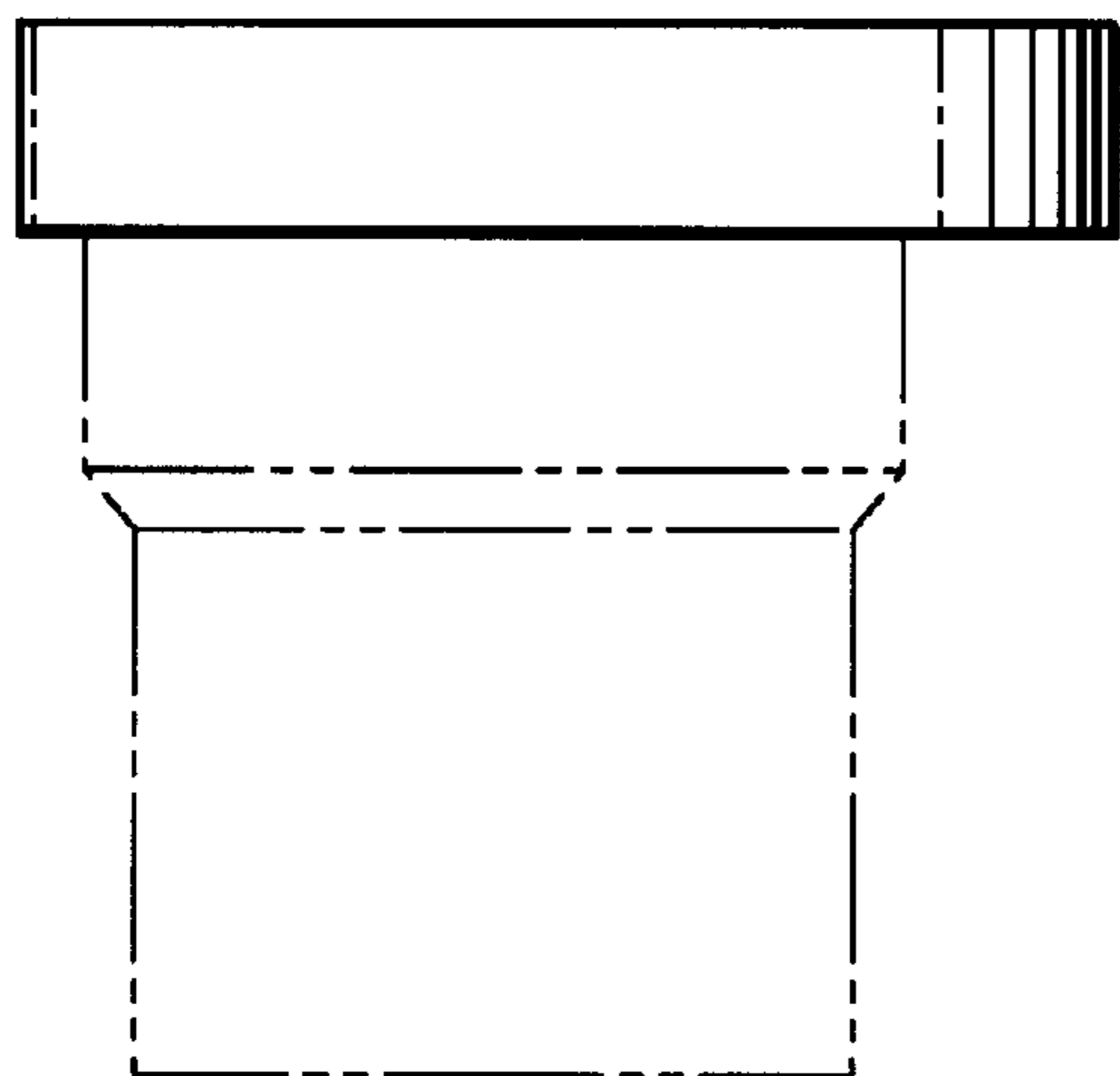


Fig. 4

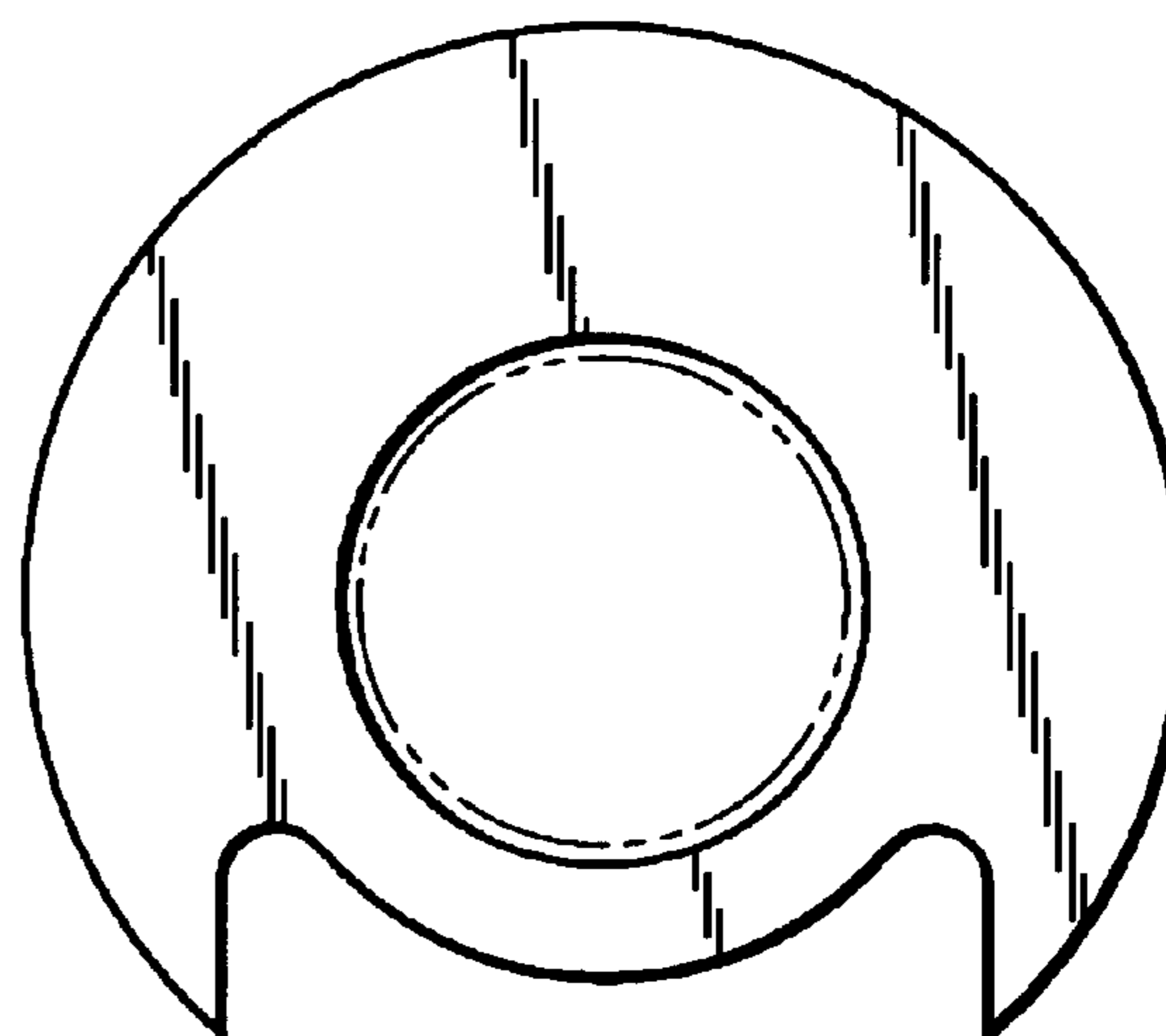


Fig. 5

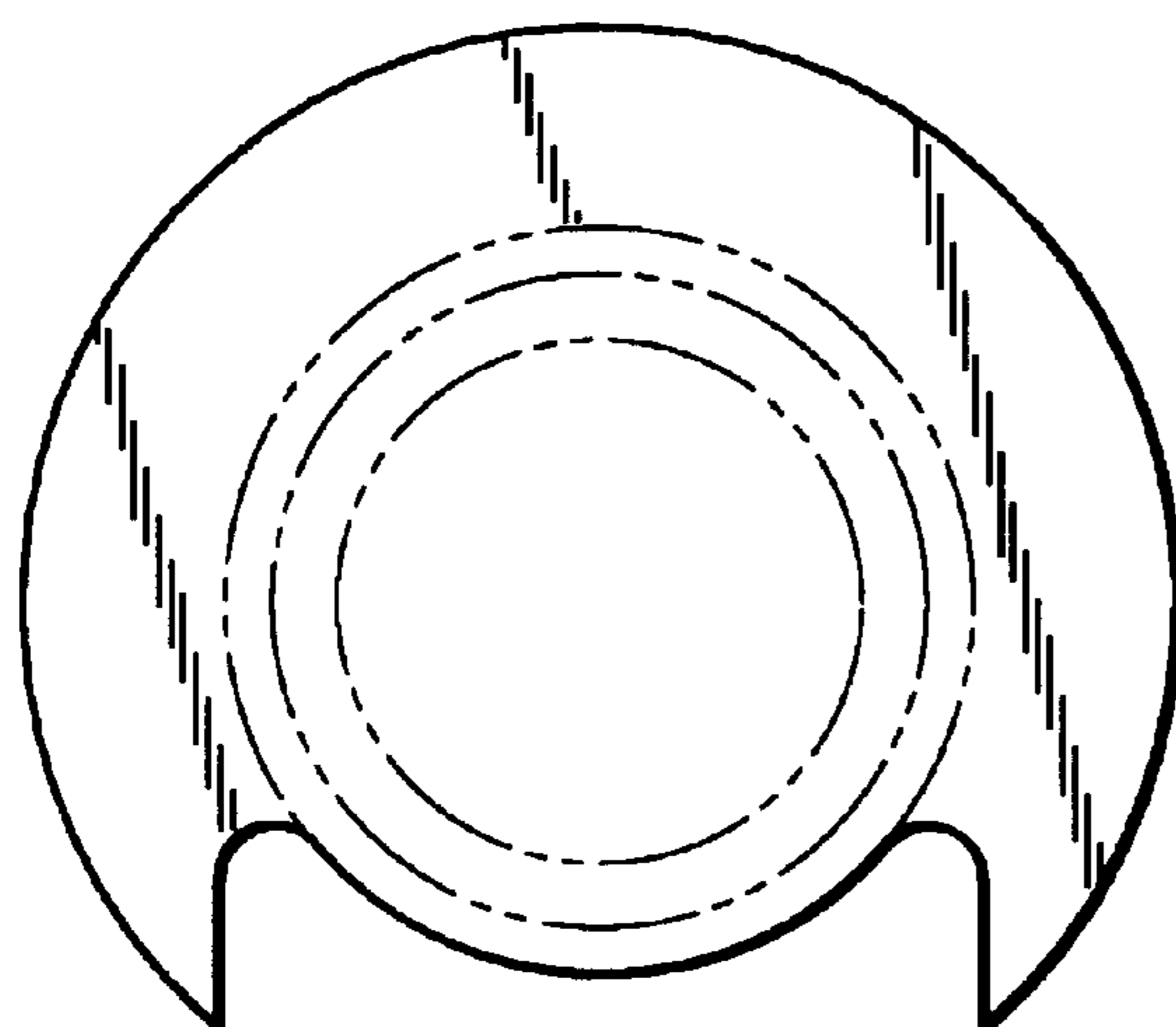


Fig. 6