



US00D535725S

(12) **United States Design Patent**  
**Chu et al.**

(10) **Patent No.:** **US D535,725 S**

(45) **Date of Patent:** **\*\* Jan. 23, 2007**

(54) **FAUCET**

D516,677 S \* 3/2006 Haug et al. .... D23/242

(75) Inventors: **Aaron Chu**, Taichung (TW); **Ken Hsui**,  
Taichung (TW); **Jau-Chi Lai**, Taichung  
(TW)

\* cited by examiner

(73) Assignee: **Globe Union Industrial Corp.**,  
Taichung (TW)

*Primary Examiner*—Louis S. Zarfes

*Assistant Examiner*—Gregory Andoll

(74) *Attorney, Agent, or Firm*—Leong C. Lei

(\*\*) Term: **14 Years**

(57) **CLAIM**

The ornamental design for a faucet, as shown and described.

(21) Appl. No.: **29/253,636**

**DESCRIPTION**

(22) Filed: **Feb. 10, 2006**

(51) **LOC (8) Cl.** ..... **23-01**

FIG. 1 is a front perspective view of a faucet showing our  
new design;

(52) **U.S. Cl.** ..... **D23/241; D23/242**

FIG. 2 is a front elevational view thereof;

(58) **Field of Classification Search** ..... D23/238–257;  
4/675–678; 137/801

FIG. 3 is a rear elevational view thereof;

See application file for complete search history.

FIG. 4 is a left side elevational view thereof;

FIG. 5 is a right side elevational view thereof; and,

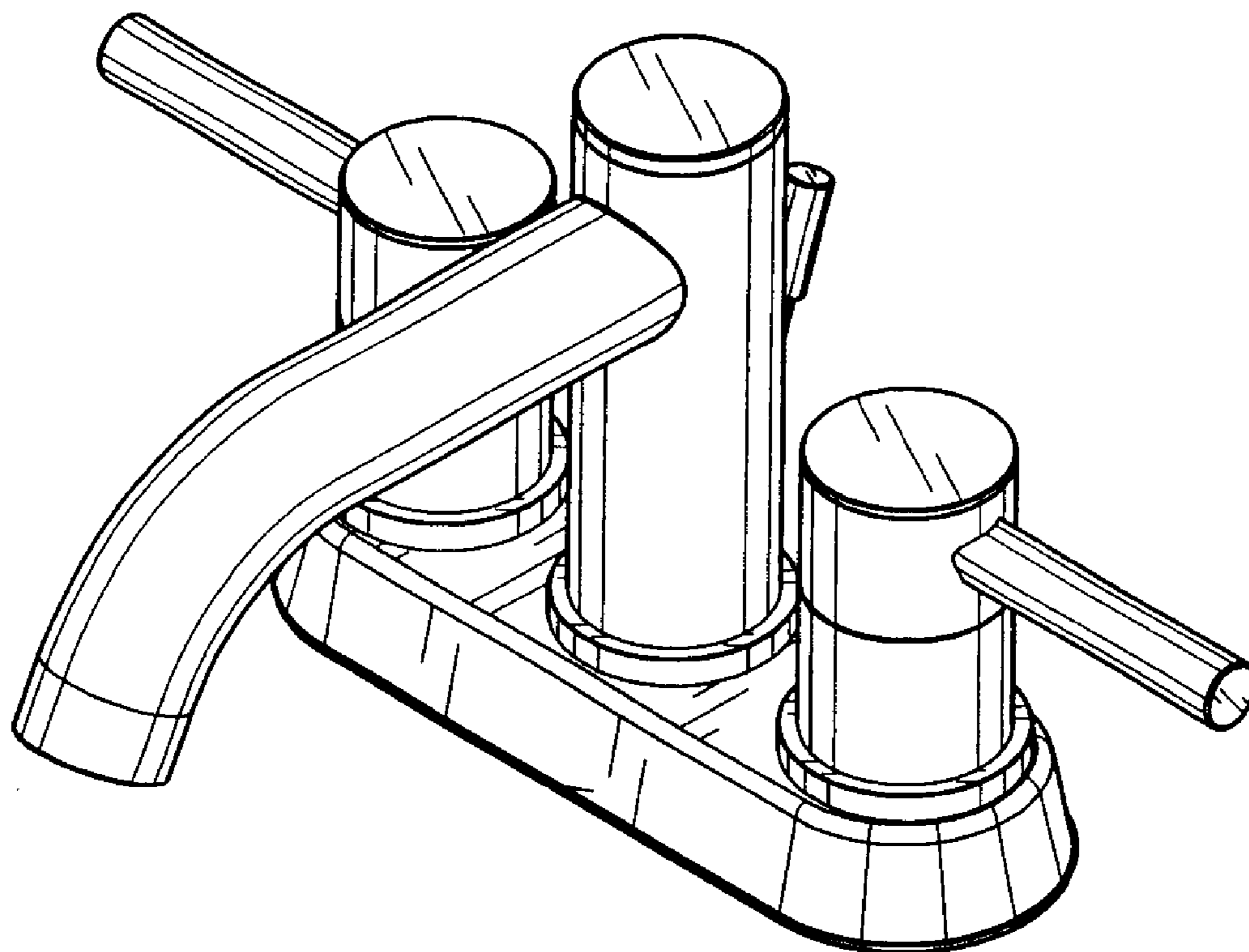
FIG. 6 is a top plan view thereof.

(56) **References Cited**

U.S. PATENT DOCUMENTS

D311,438 S \* 10/1990 Strignano ..... D23/242

**1 Claim, 4 Drawing Sheets**



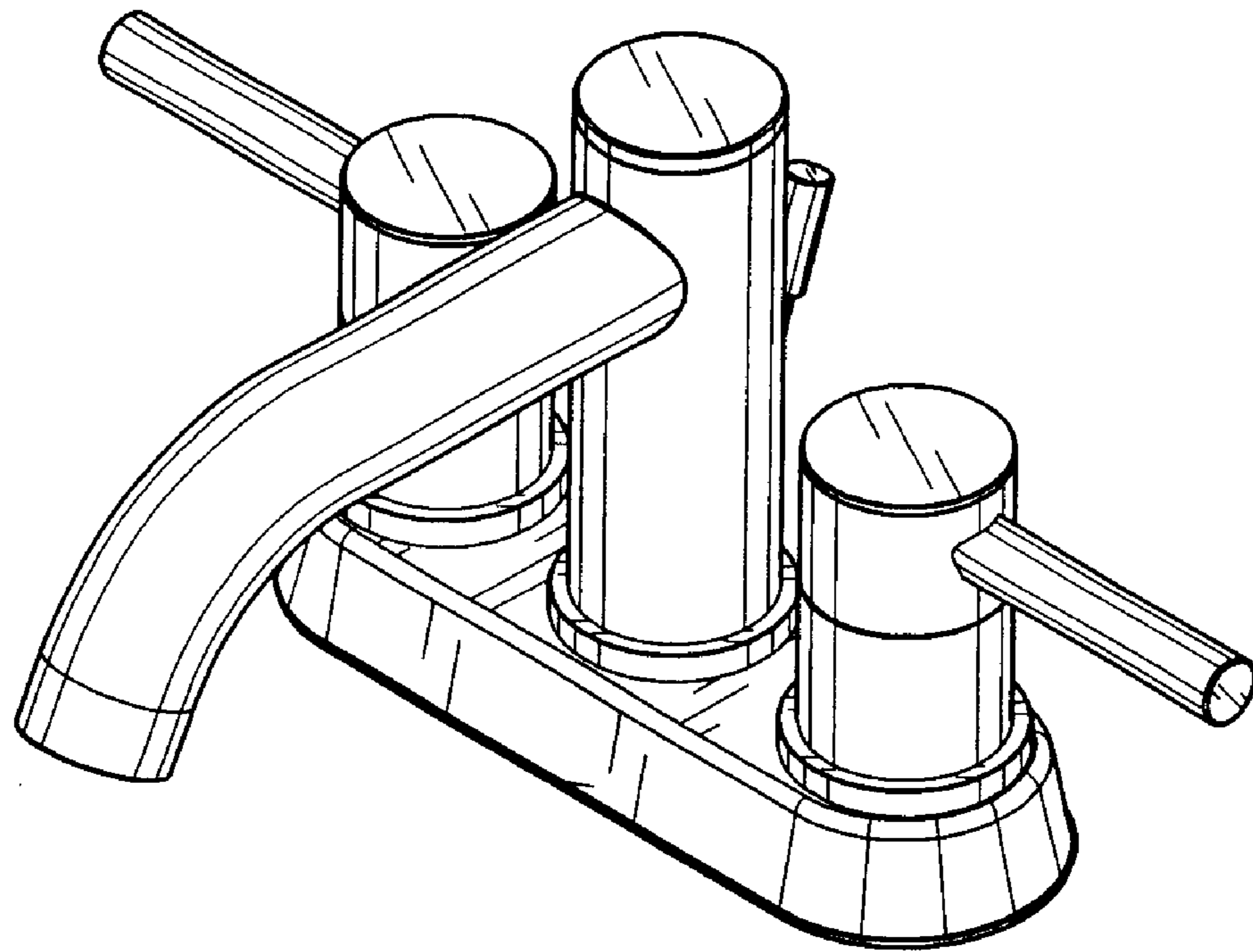


FIG. 1

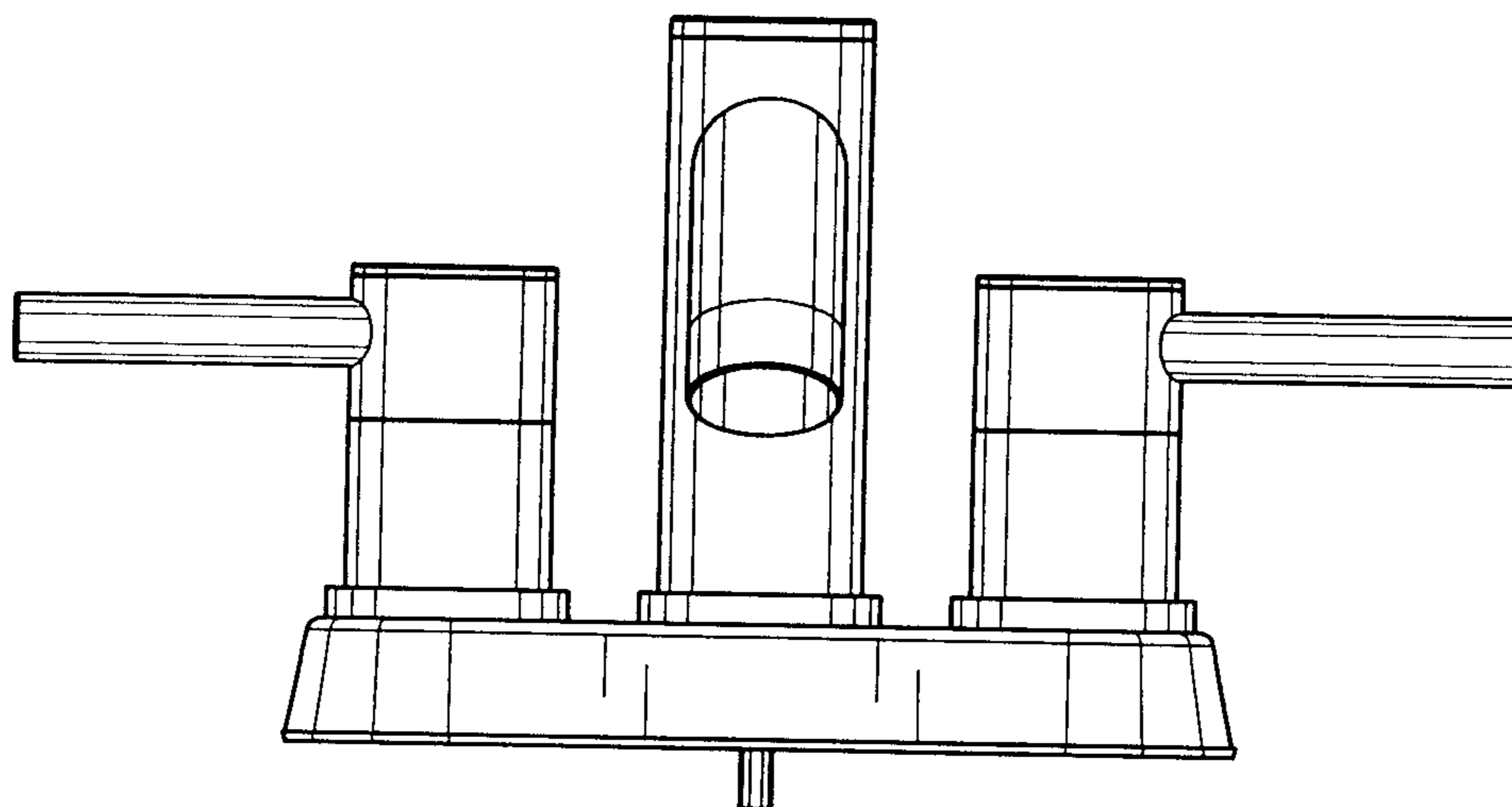


FIG. 2

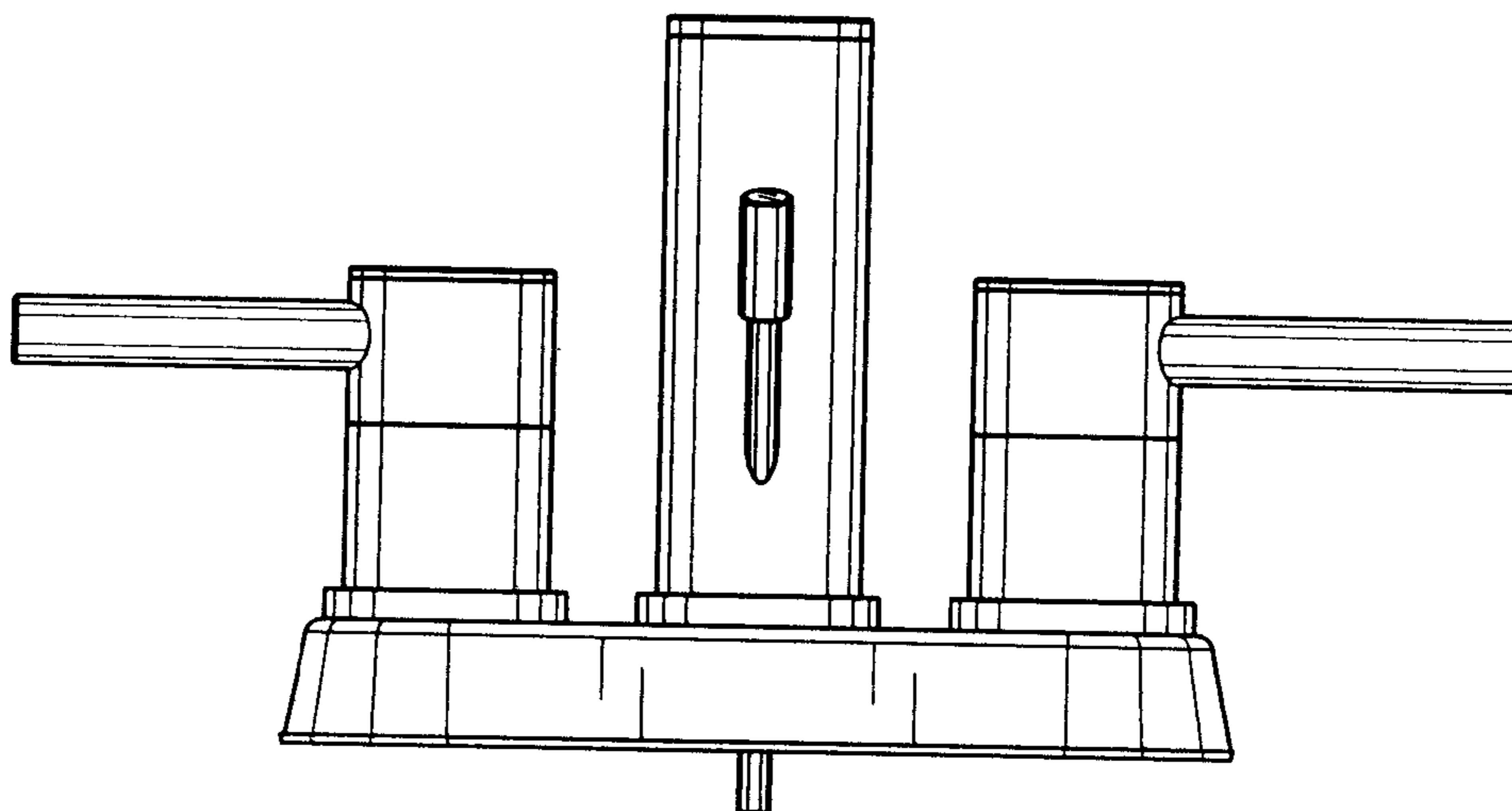


FIG. 3

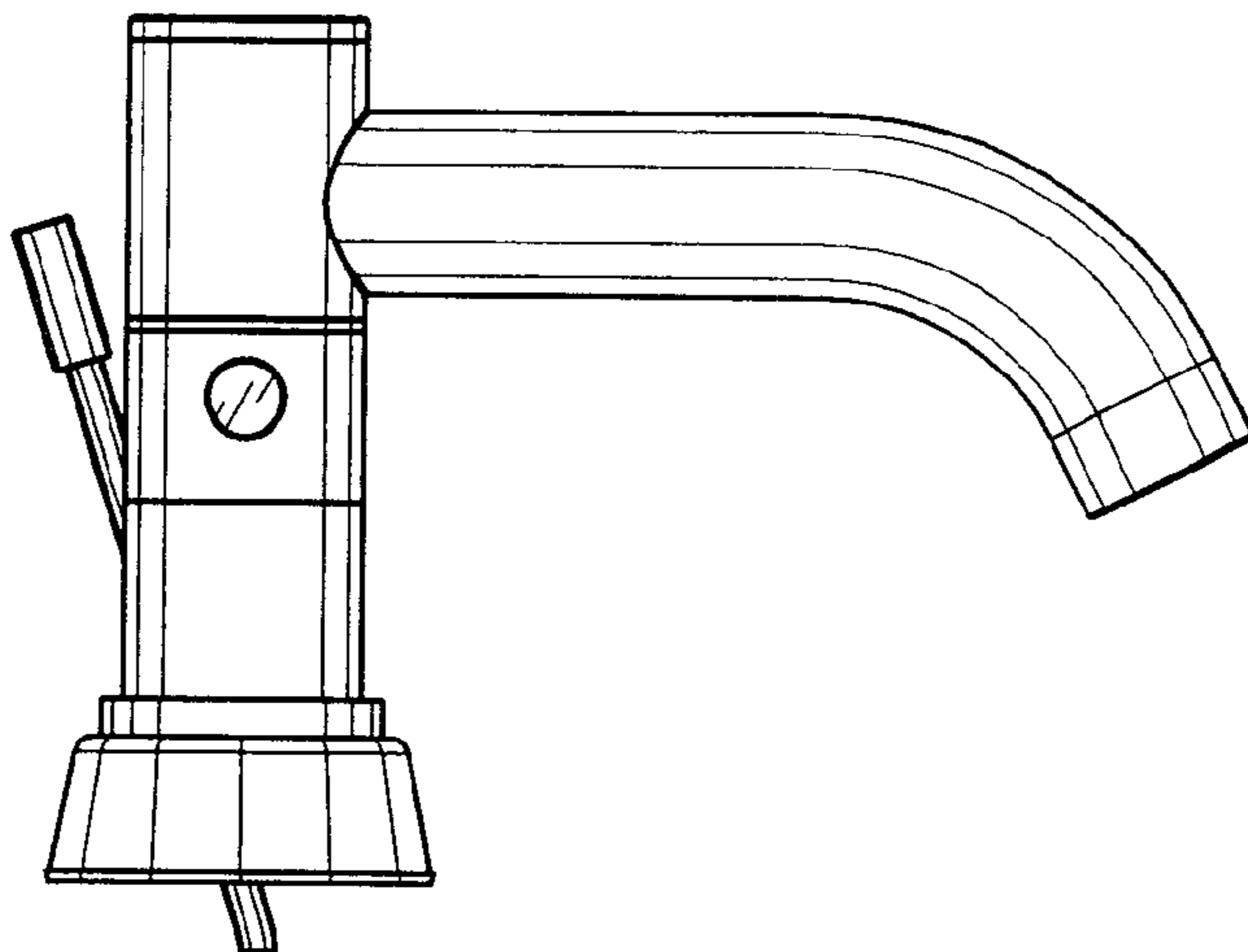


FIG. 4

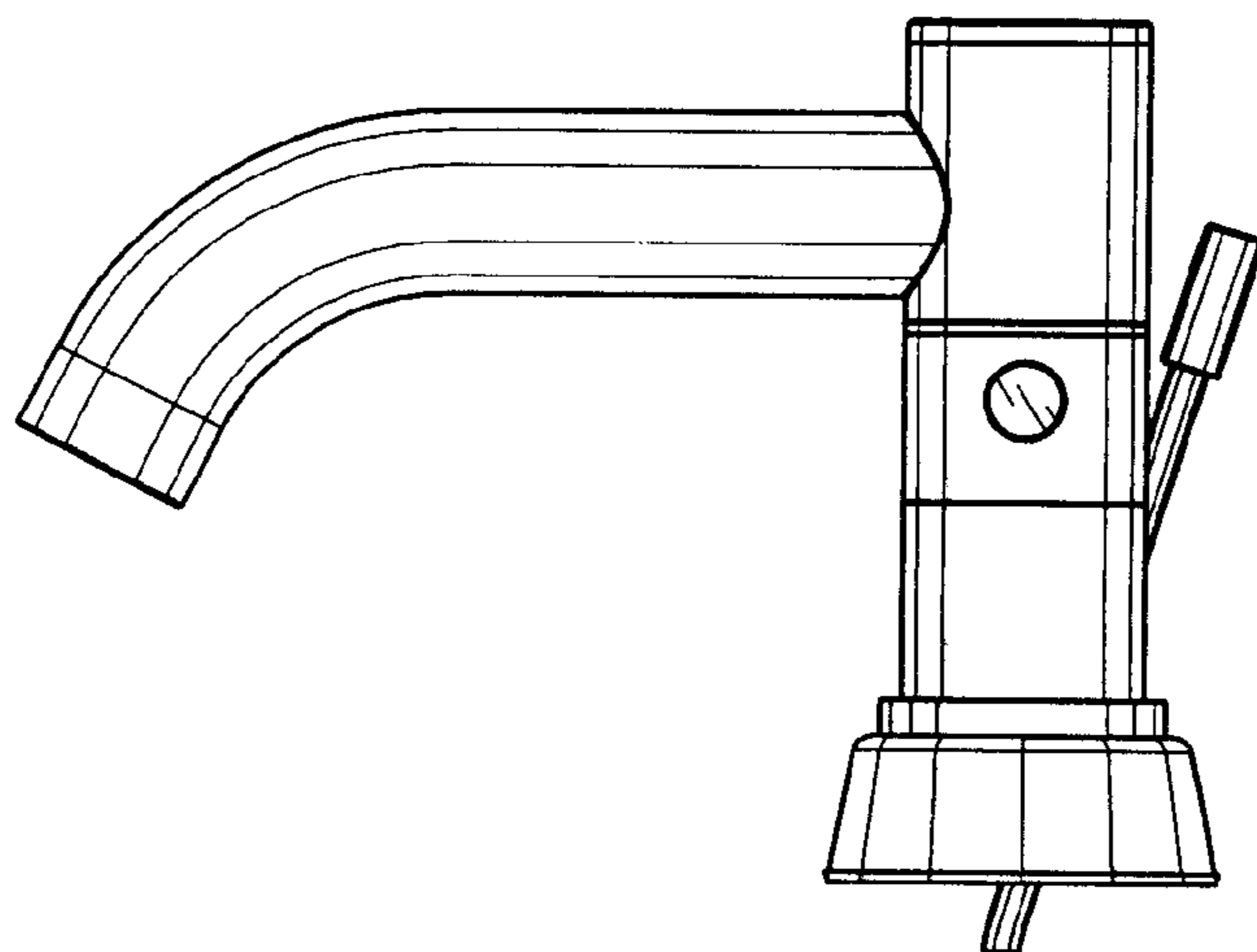


FIG. 5

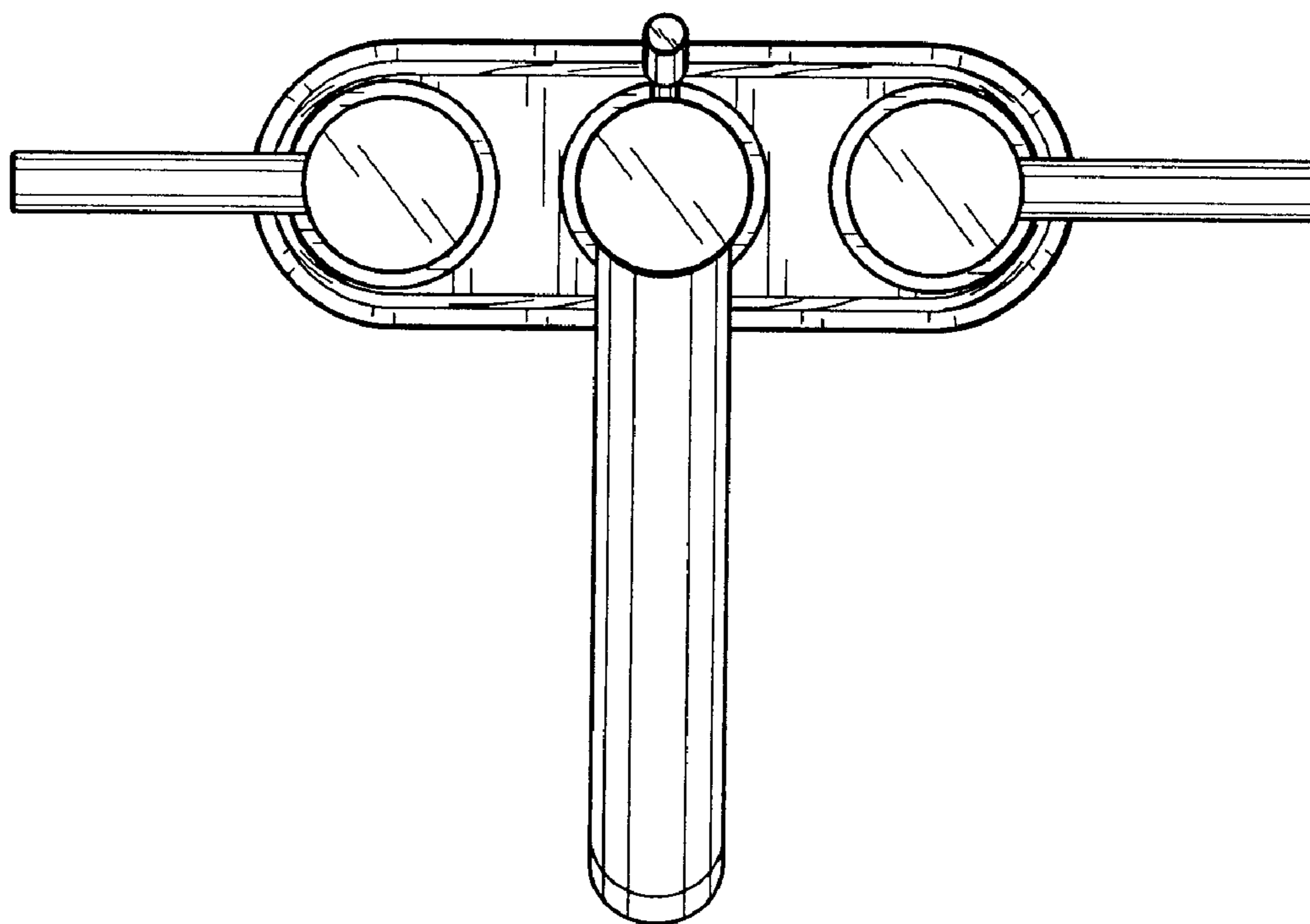


FIG. 6