



US00D535724S

(12) **United States Design Patent**
Zhou

(10) **Patent No.:** **US D535,724 S**

(45) **Date of Patent:** **** Jan. 23, 2007**

(54) **FAUCET**

(76) **Inventor:** **Huasong Zhou**, Rm 704, #135, Hubin
S. Road, Xiamen, Fujian (CN)

(**) **Term:** **14 Years**

(21) **Appl. No.:** **29/254,713**

(22) **Filed:** **Feb. 27, 2006**

(51) **LOC (8) Cl.** **23-01**

(52) **U.S. Cl.** **D23/238**

(58) **Field of Classification Search** D23/238-257;
4/675-678; 137/801

See application file for complete search history.

(56) **References Cited**

U.S. PATENT DOCUMENTS

D468,398 S	*	1/2003	Ziemann	D23/238
D499,795 S	*	12/2004	Bayer	D23/238
D510,126 S	*	9/2005	Ouyoung	D23/238
D511,200 S	*	11/2005	Kulig et al.	D23/238

D517,166 S	*	3/2006	Chu	D23/238
D517,652 S	*	3/2006	Egli et al.	D23/238
D519,190 S	*	4/2006	Lord	D23/238

* cited by examiner

Primary Examiner—Louis S. Zarfaz

Assistant Examiner—Gregory Andoll

(74) *Attorney, Agent, or Firm*—Banger Shia

(57) **CLAIM**

The ornamental design for the faucet, as shown and described.

DESCRIPTION

FIG. 1 is a perspective view of the faucet showing my present design,

FIG. 2 is a front view thereof;

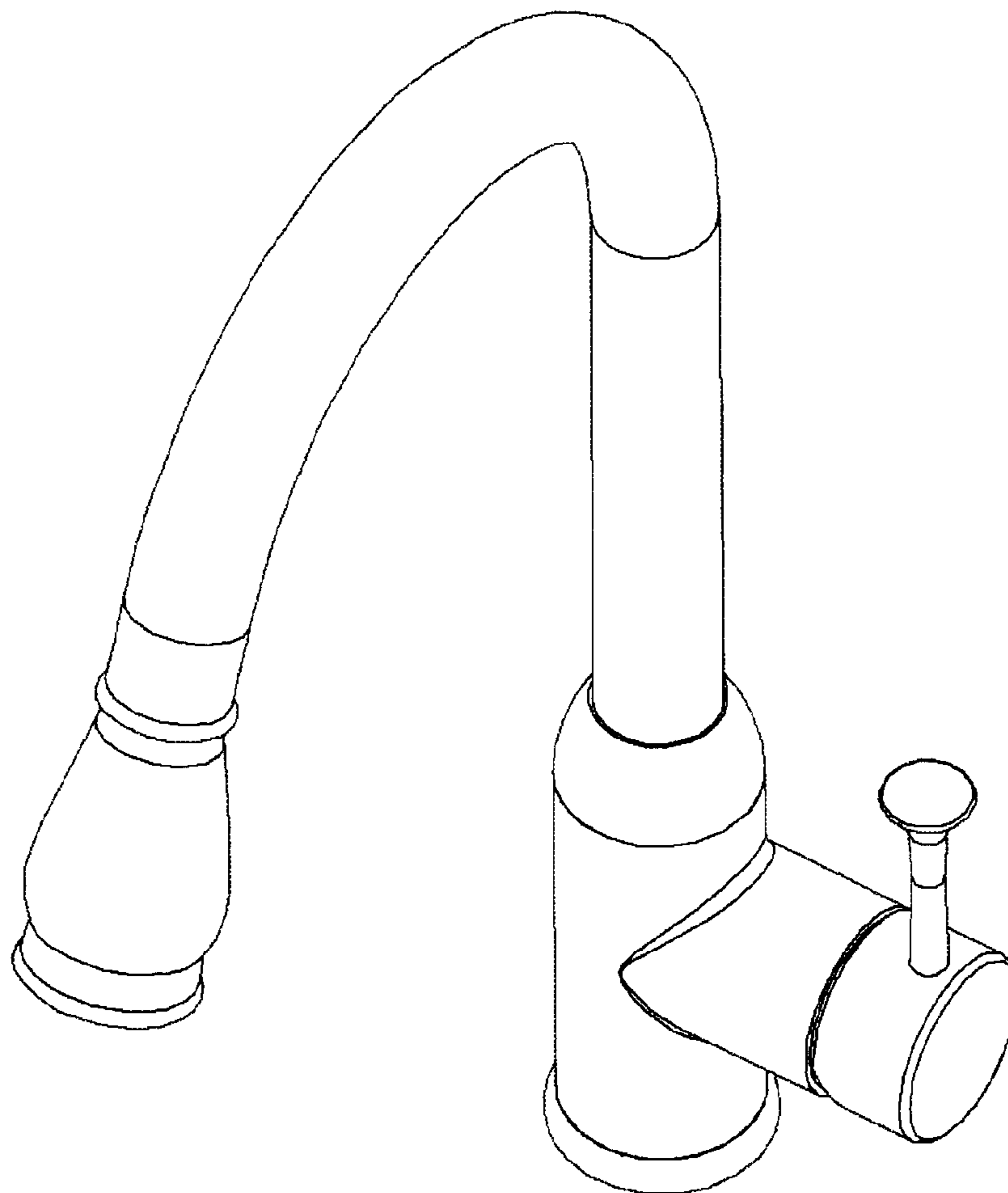
FIG. 3 is a rear view thereof;

FIG. 4 is a left plan view thereof;

FIG. 5 is a right plan view thereof; and,

FIG. 6 is a top view thereof.

1 Claim, 4 Drawing Sheets



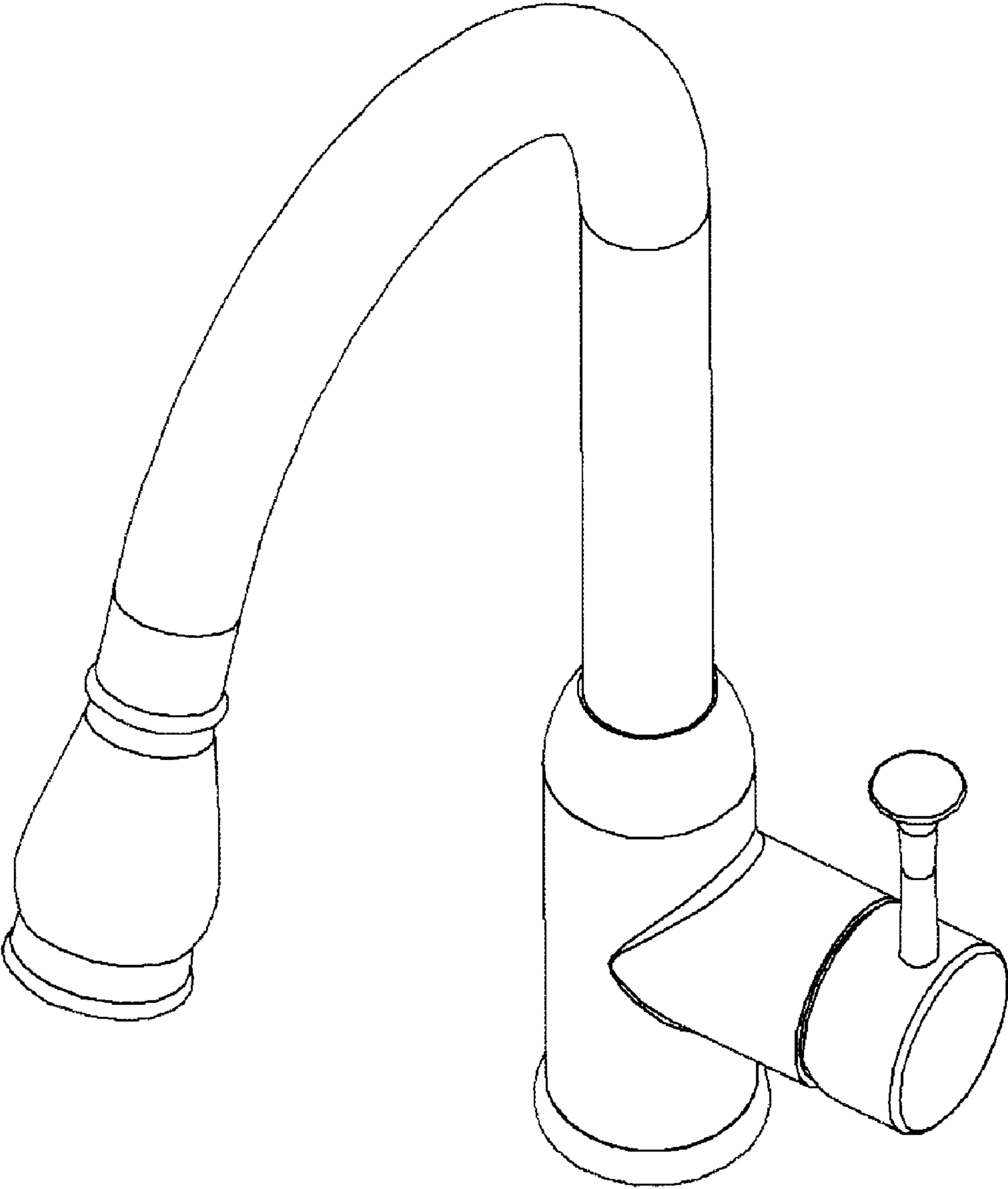


FIG. 1

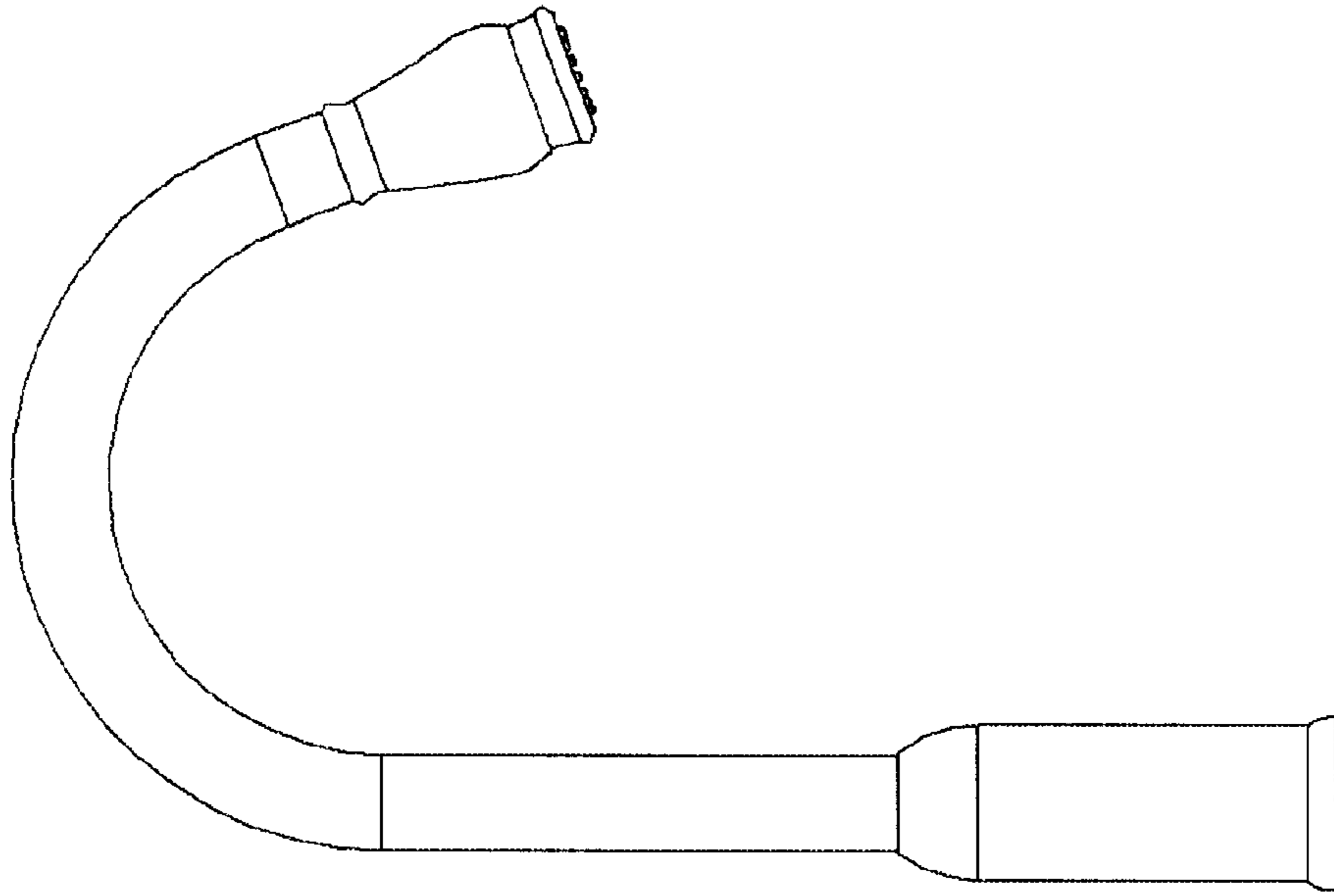


FIG. 3

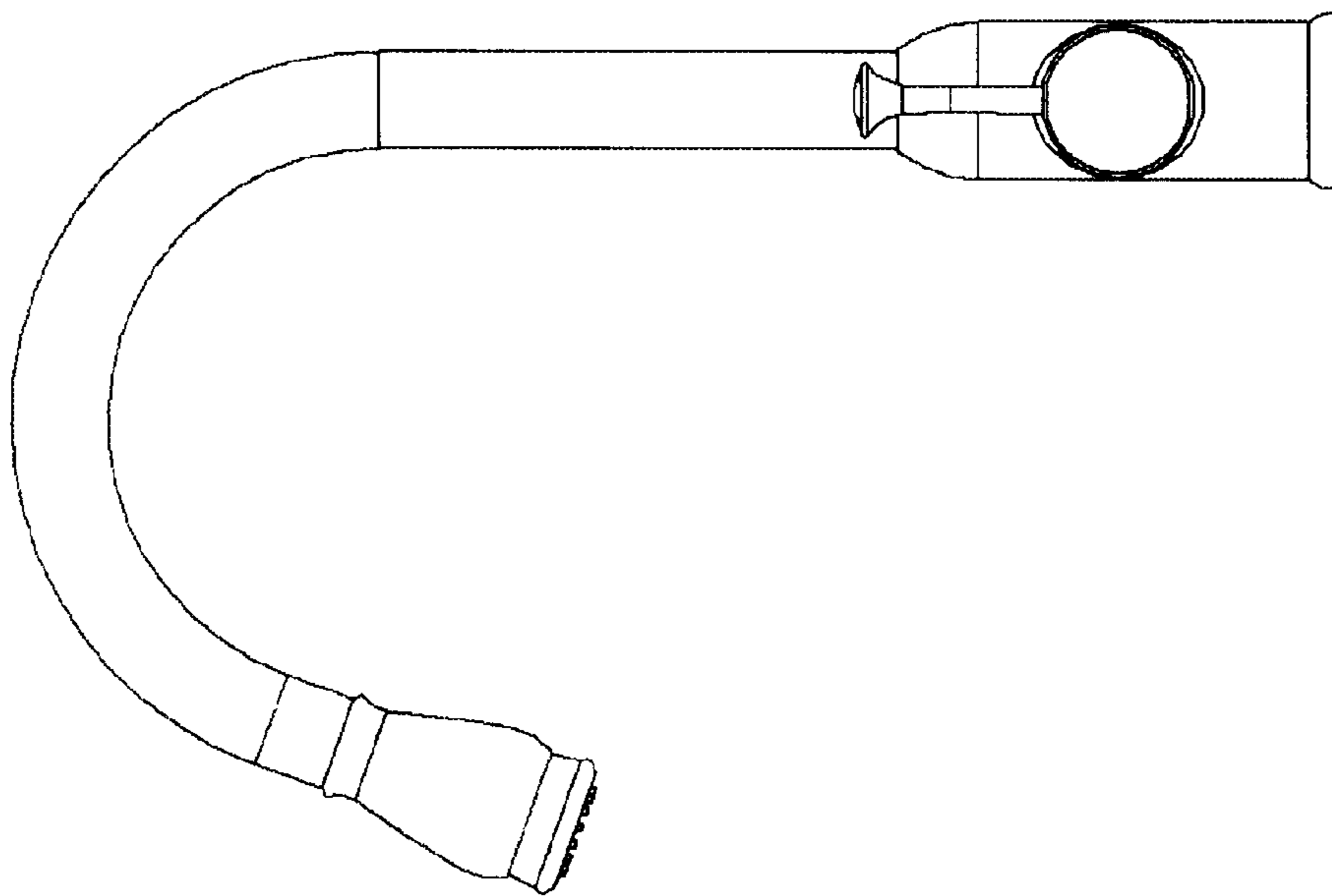


FIG. 2

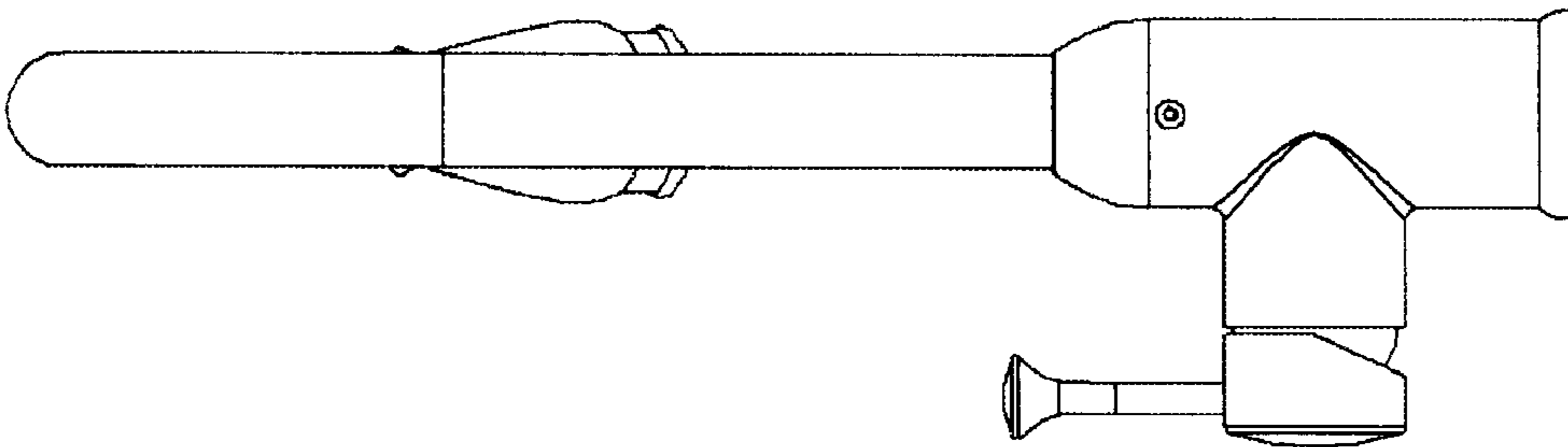


FIG. 4

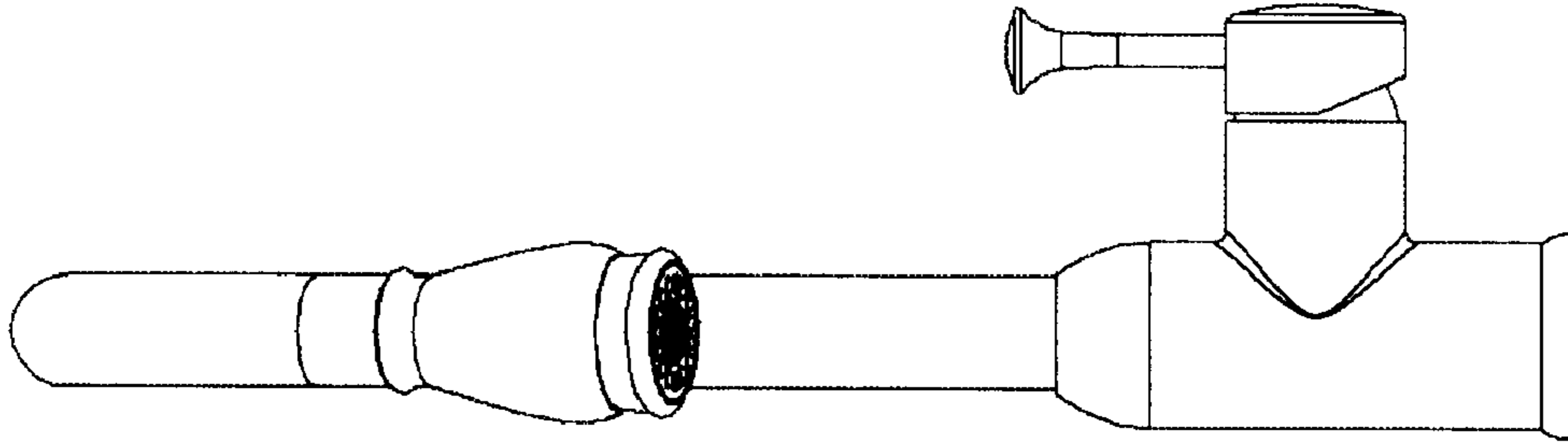


FIG. 5

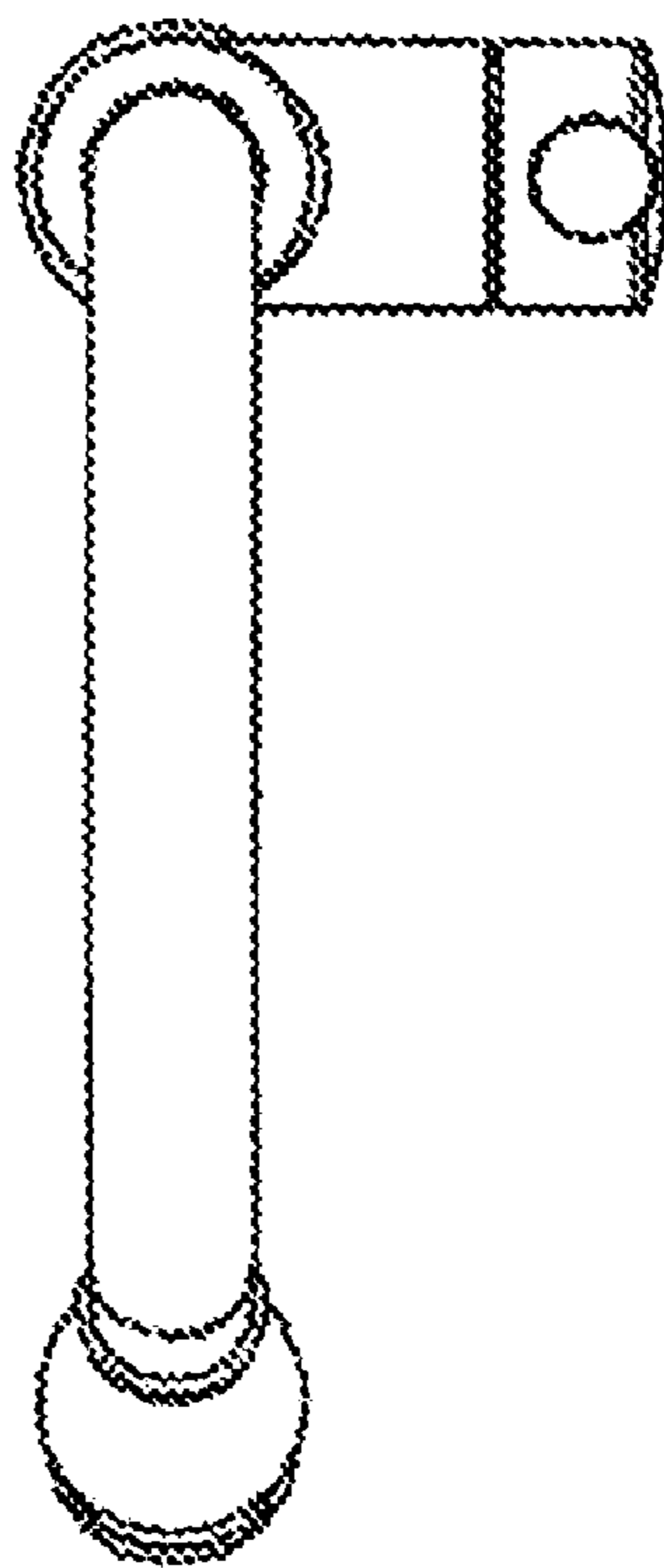


FIG. 6