



US00D535722S

(12) **United States Design Patent**  
**Nimberger**

(10) **Patent No.:** **US D535,722 S**

(45) **Date of Patent:** **\*\* Jan. 23, 2007**

(54) **5 VALVE SMALL BORE 2 FLANGE  
MANIFOLD BLOCK**

(75) **Inventor:** **Spencer M. Nimberger**, Houston, TX  
(US)

(73) **Assignee:** **PGI International, Ltd.**, Houston, TX  
(US)

(\*\*) **Term:** **14 Years**

(21) **Appl. No.:** **29/217,603**

(22) **Filed:** **Nov. 19, 2004**

(51) **LOC (8) Cl.** ..... **23-01**

(52) **U.S. Cl.** ..... **D23/233; D15/5**

(58) **Field of Classification Search** ..... D15/1-5;  
D23/233-237, 243-249, 269; D10/121, 85,  
D10/99; D8/549, 554; 137/596.13, 596.16,  
137/625.64, 884, 593, 595, 7.4, 271, 269,  
137/597, 16, 1, 505.38, 352, 343, 577; 285/368,  
285/910, 189, 142.1, 124.2; 277/23; 210/450,  
210/483, 499; 73/23.2, 405 R, 706, 756,  
73/861.61

See application file for complete search history.

(56) **References Cited**

**U.S. PATENT DOCUMENTS**

2,885,005 A \* 5/1959 Rhodes ..... 166/97.5  
D335,172 S \* 4/1993 Tamaki ..... D23/248

D398,375 S \* 9/1998 Lynch et al. .... D23/245  
D406,320 S \* 3/1999 Lynch et al. .... D23/245  
D420,101 S \* 2/2000 Hiramatsu et al. .... D23/233  
D423,387 S 4/2000 Hutton  
D427,931 S 7/2000 Hutton  
D433,481 S \* 11/2000 Kaneko et al. .... D23/233  
D461,173 S 8/2002 Nimberger

\* cited by examiner

*Primary Examiner*—Caron D. Veynar  
*Assistant Examiner*—Maurice Stevens

(74) *Attorney, Agent, or Firm*—Browning Bushman P.C.

(57) **CLAIM**

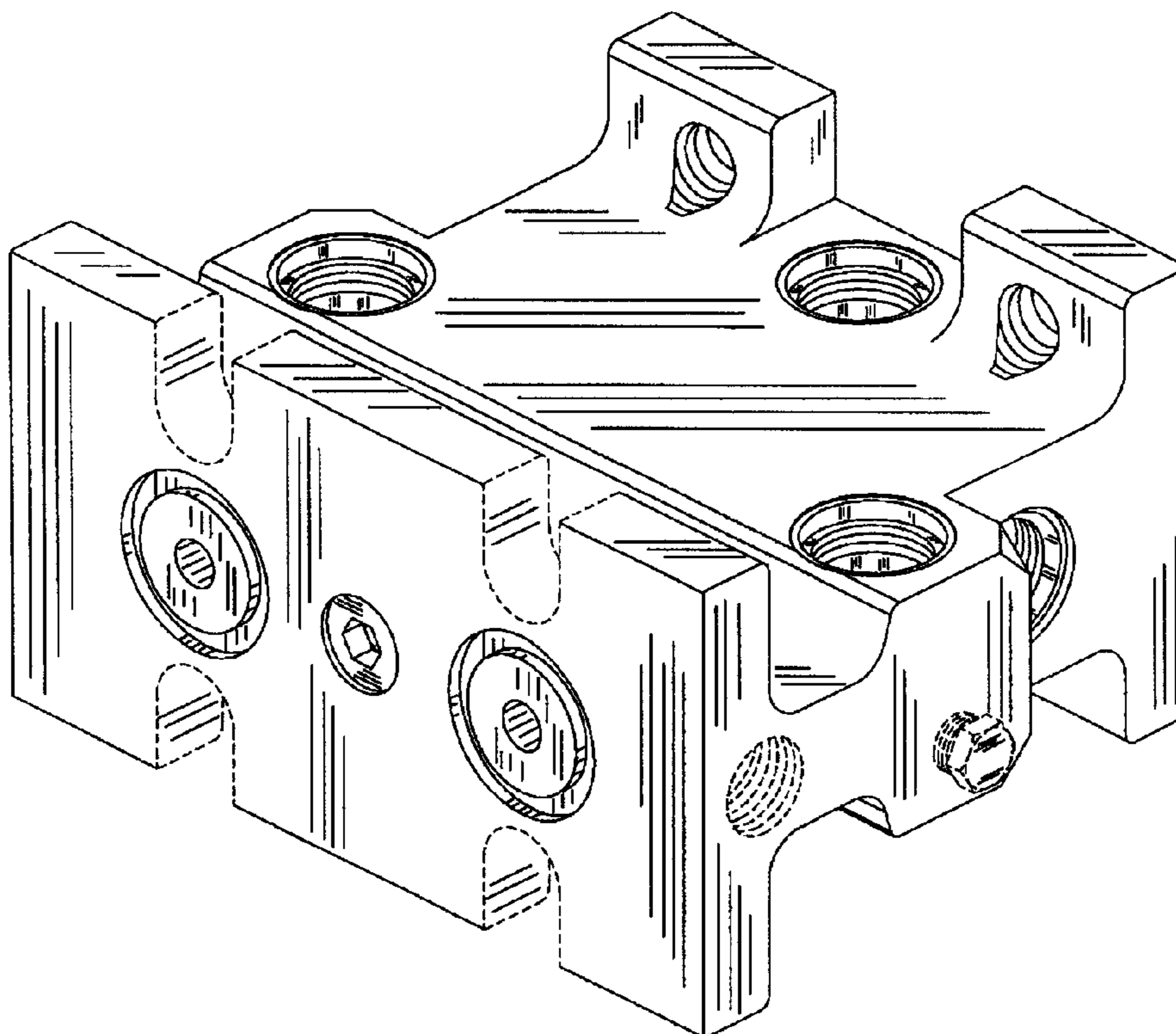
The ornamental design for a 5 valve small bore 2 flange manifold block, as shown and described.

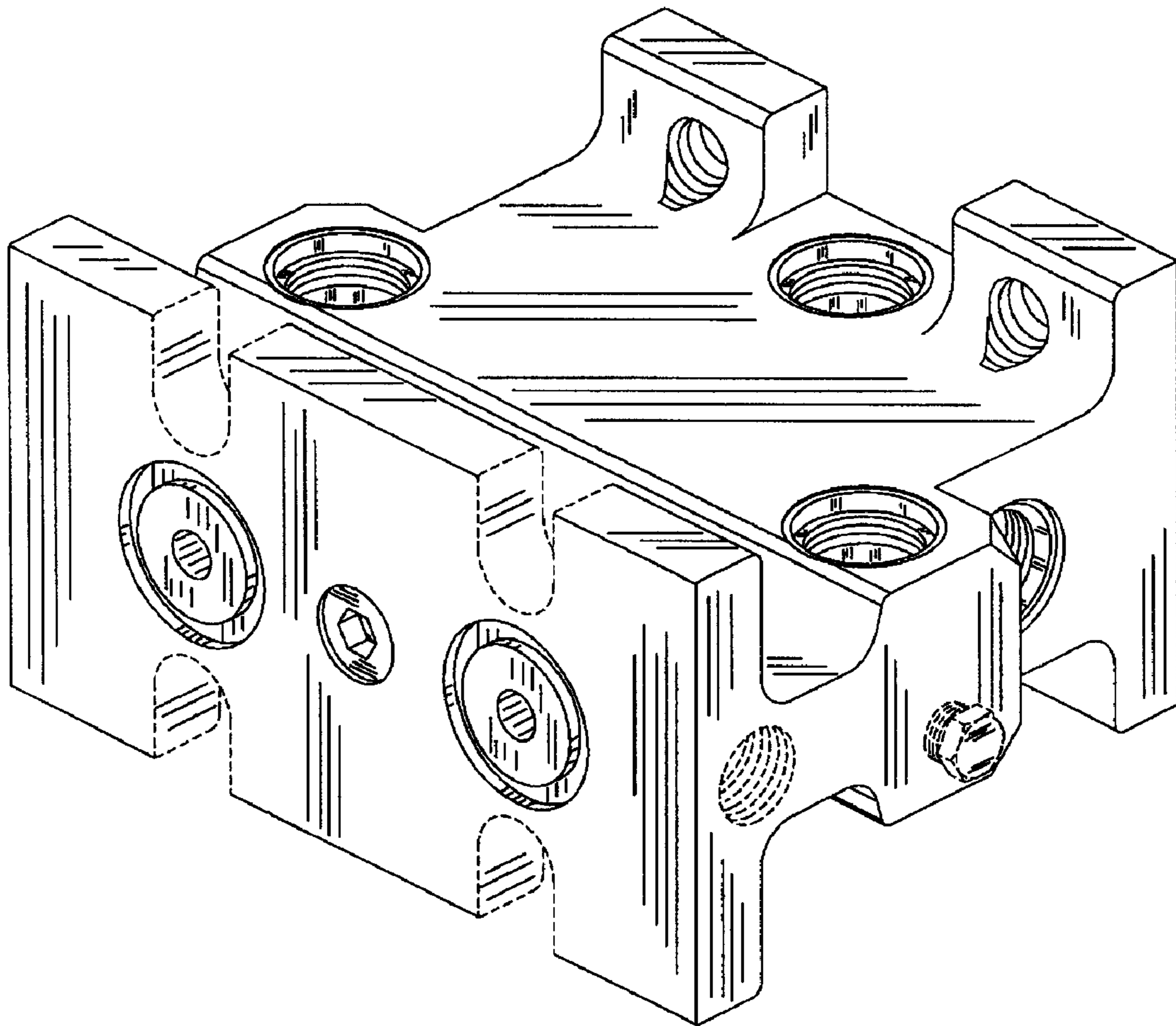
**DESCRIPTION**

FIG. 1 is a perspective view of a 5 valve small bore 2 flange manifold block, showing my new design;  
FIG. 2 is a top view thereof;  
FIG. 3 is a bottom view thereof;  
FIG. 4 is a rear view thereof;  
FIG. 5 is a front view thereof; and,  
FIG. 6 is a right side view thereof, the left side view is a mirror image thereof.

The broken lines shown in the all of the figures are for illustrative purposes only and form no part of the claimed design.

**1 Claim, 6 Drawing Sheets**





**FIG. 1**

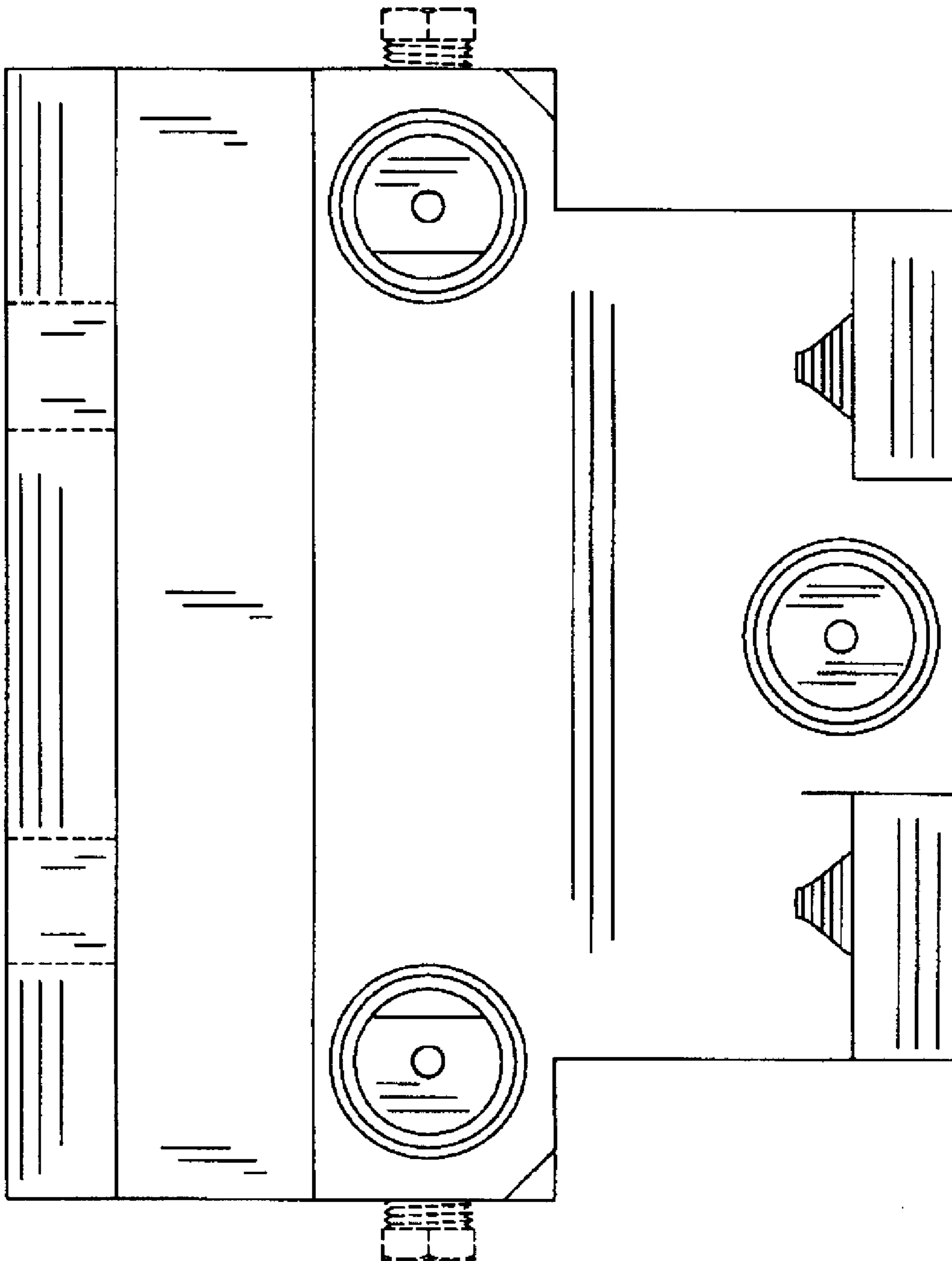
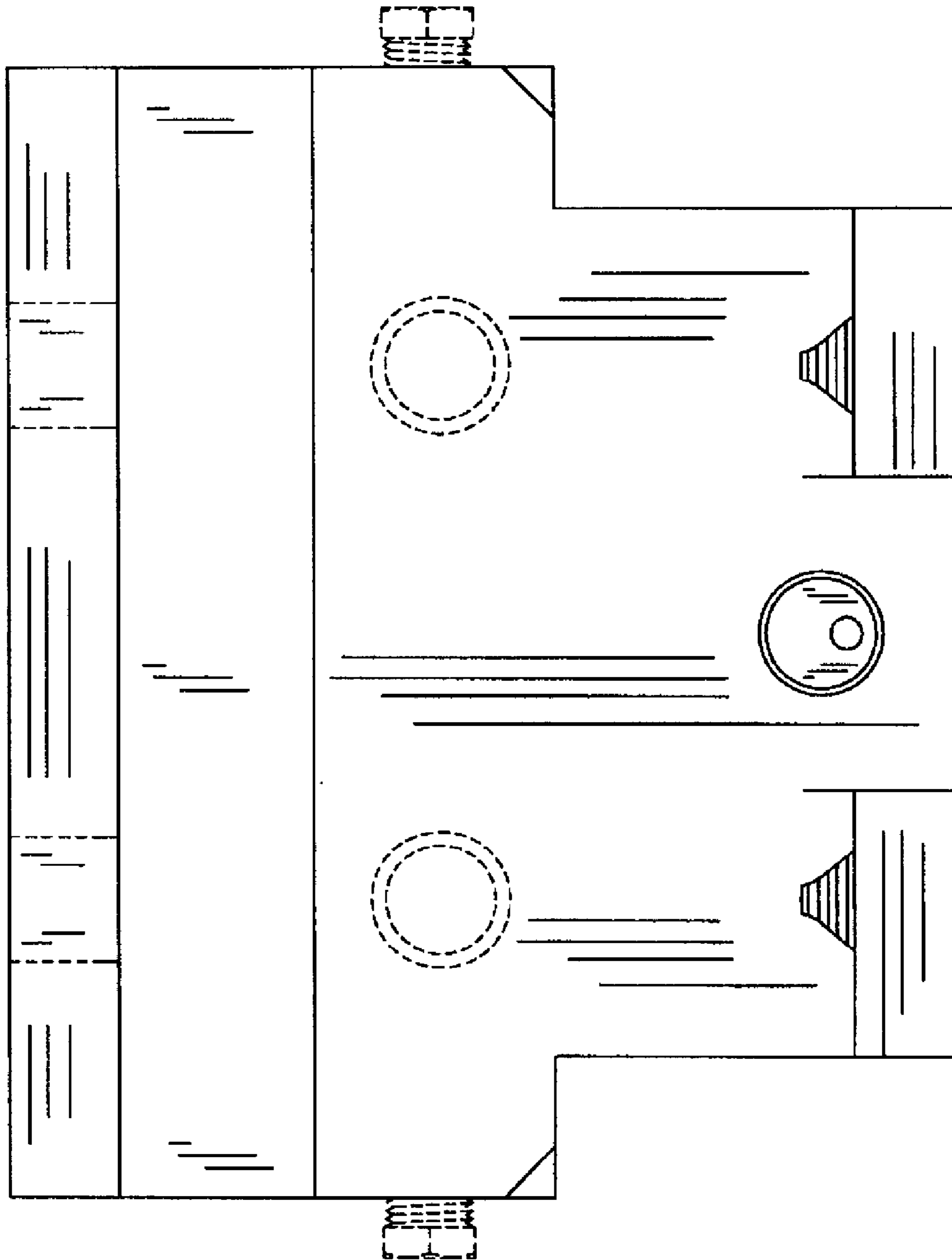
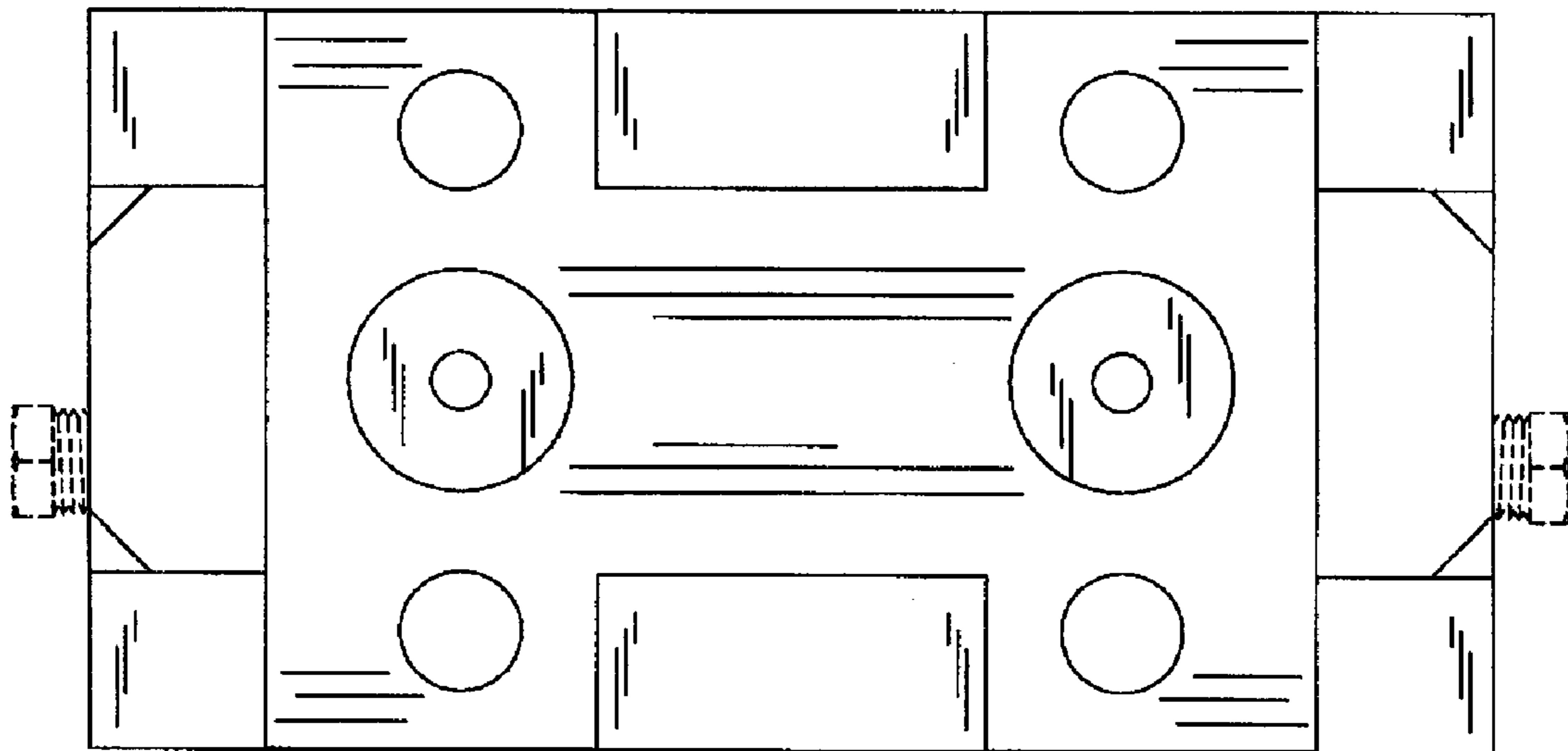


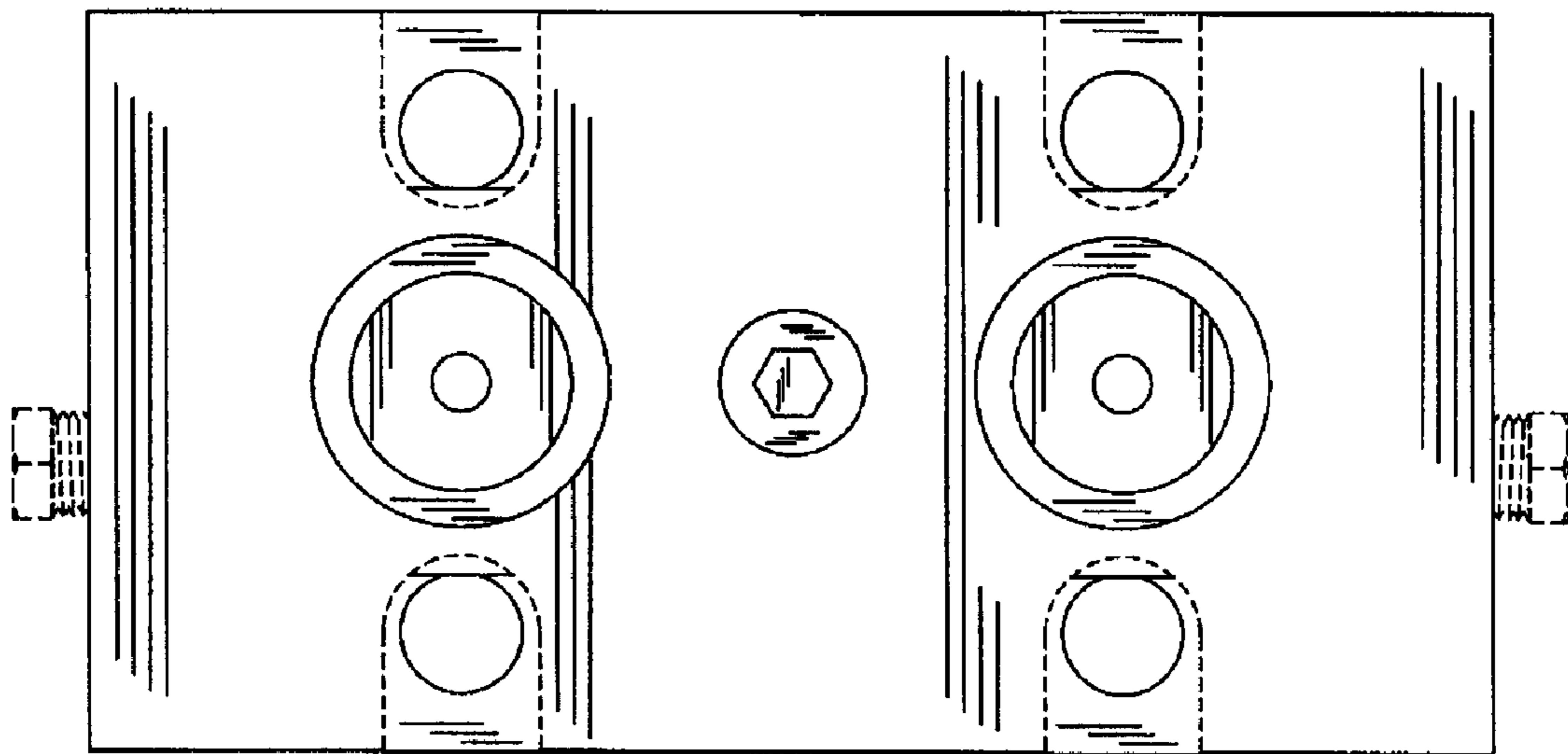
FIG. 2



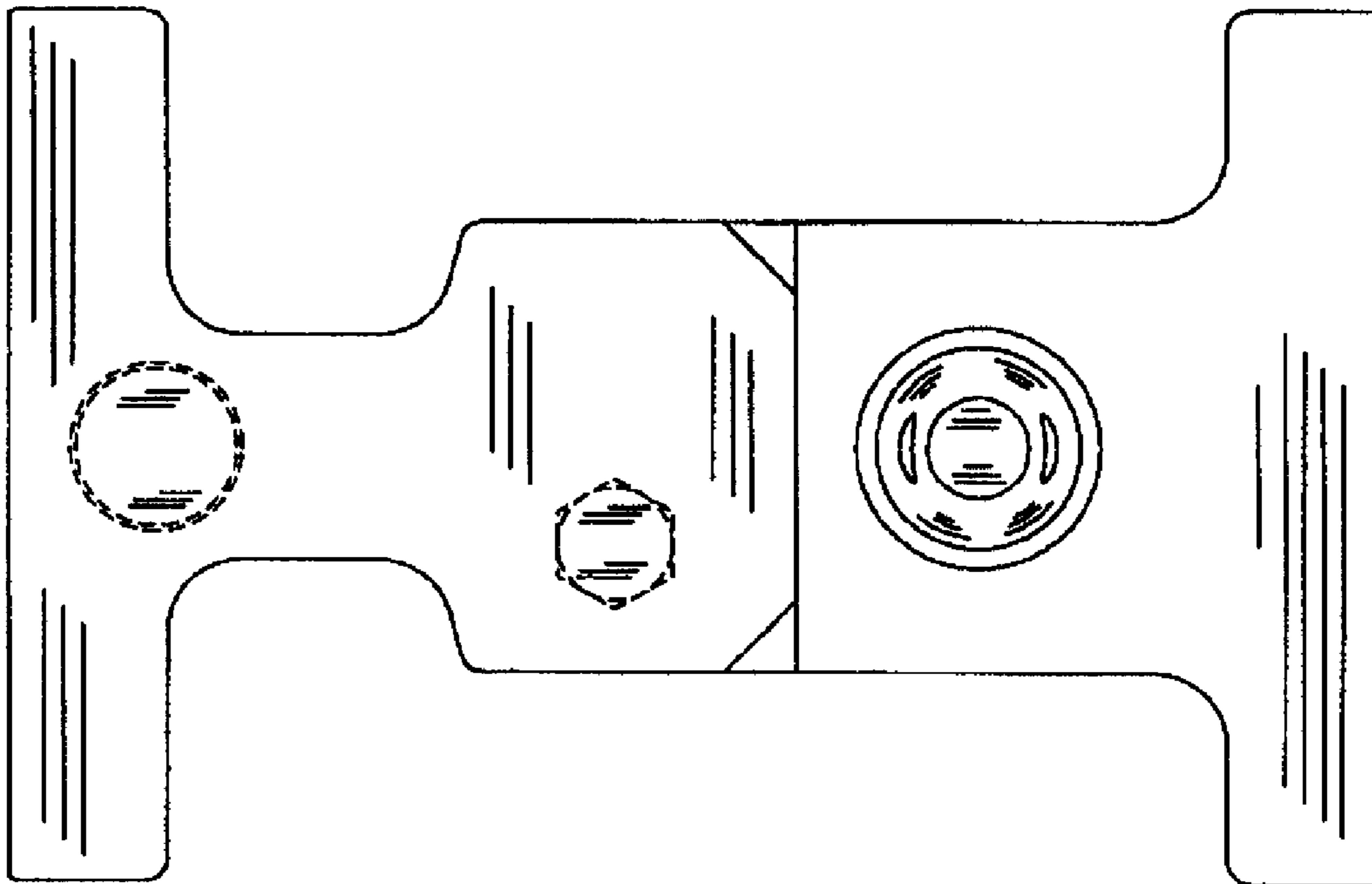
**FIG. 3**



**FIG. 4**



**FIG. 5**



**FIG. 6**