



US00D535721S

(12) **United States Design Patent**
Ford et al.

(10) **Patent No.:** **US D535,721 S**
(45) **Date of Patent:** **** Jan. 23, 2007**

- (54) **NOZZLE**
- (75) Inventors: **Peter Ford**, Kurnell (AU); **Theodore Jay Mann**, Stanwell Park (AU)
- (73) Assignee: **Plaspak Pty Limited**, South Yama (AU)
- (**) Term: **14 Years**
- (21) Appl. No.: **29/225,630**
- (22) Filed: **Mar. 17, 2005**
- (51) **LOC (8) Cl.** **23-01**
- (52) **U.S. Cl.** **D23/213**
- (58) **Field of Classification Search** D23/213, D23/223; D9/434, 447; 239/459; 222/402.21
See application file for complete search history.

- 3,716,902 A * 2/1973 Pearce 29/890.02
- 5,123,627 A * 6/1992 Hodges 251/146
- 6,230,982 B1 * 5/2001 Newton 239/10
- 6,439,440 B1 * 8/2002 Lasserre 222/402.21

* cited by examiner

Primary Examiner—Robin Webster

(74) *Attorney, Agent, or Firm*—Townsend and Townsend and Crew LLP

(57) **CLAIM**

The ornamental design for a nozzle, as shown and described.

DESCRIPTION

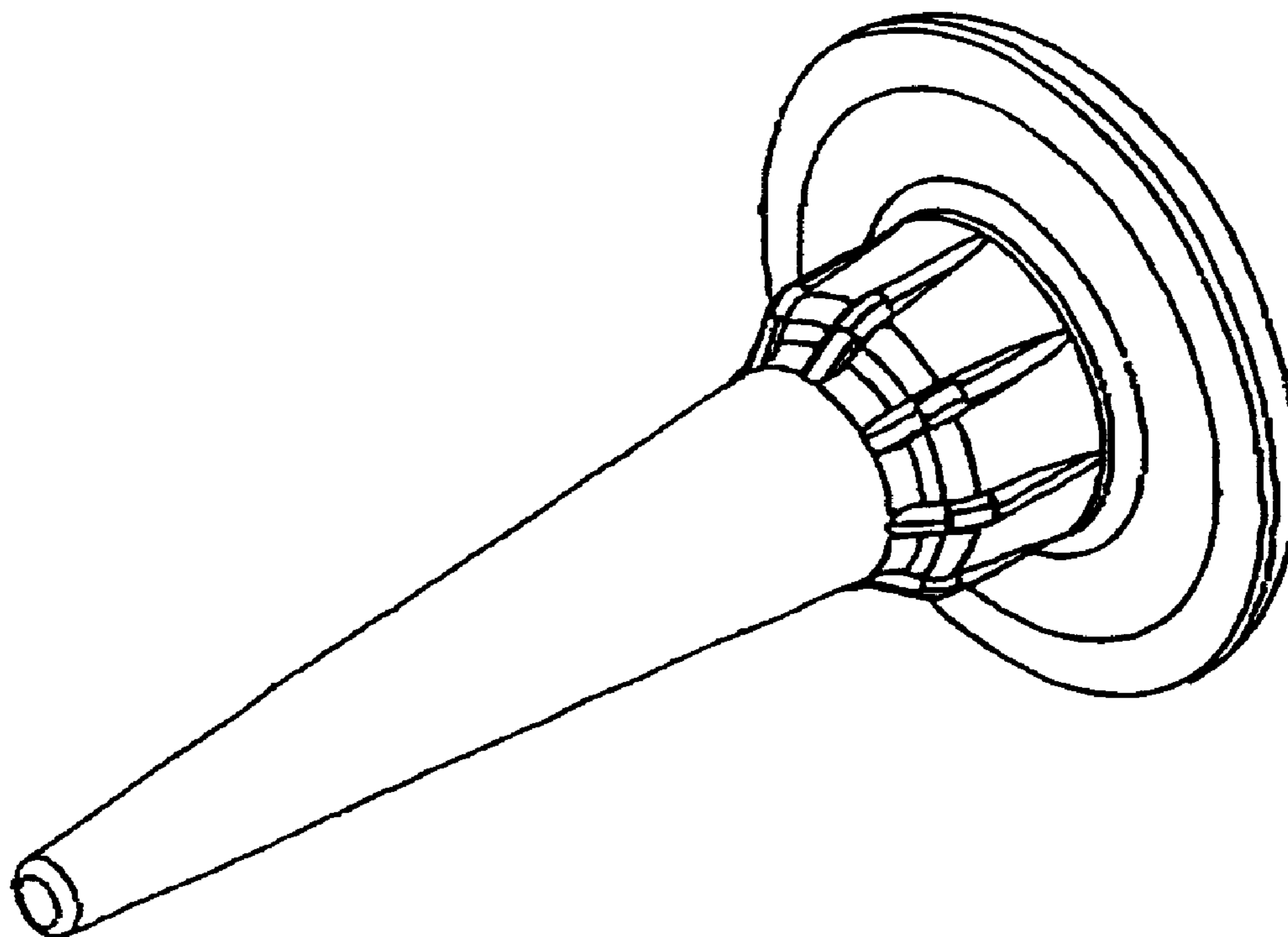
FIG. 1 is a top view of a nozzle showing our new design, the bottom view being a mirror image;
FIG. 2 is a Front View thereof;
FIG. 3 is a Perspective View thereof; and,
FIG. 4 is a left side view thereof, the right side being a mirror image.

(56) **References Cited**

U.S. PATENT DOCUMENTS

- 359,602 A * 3/1887 Gray 239/602

1 Claim, 1 Drawing Sheet



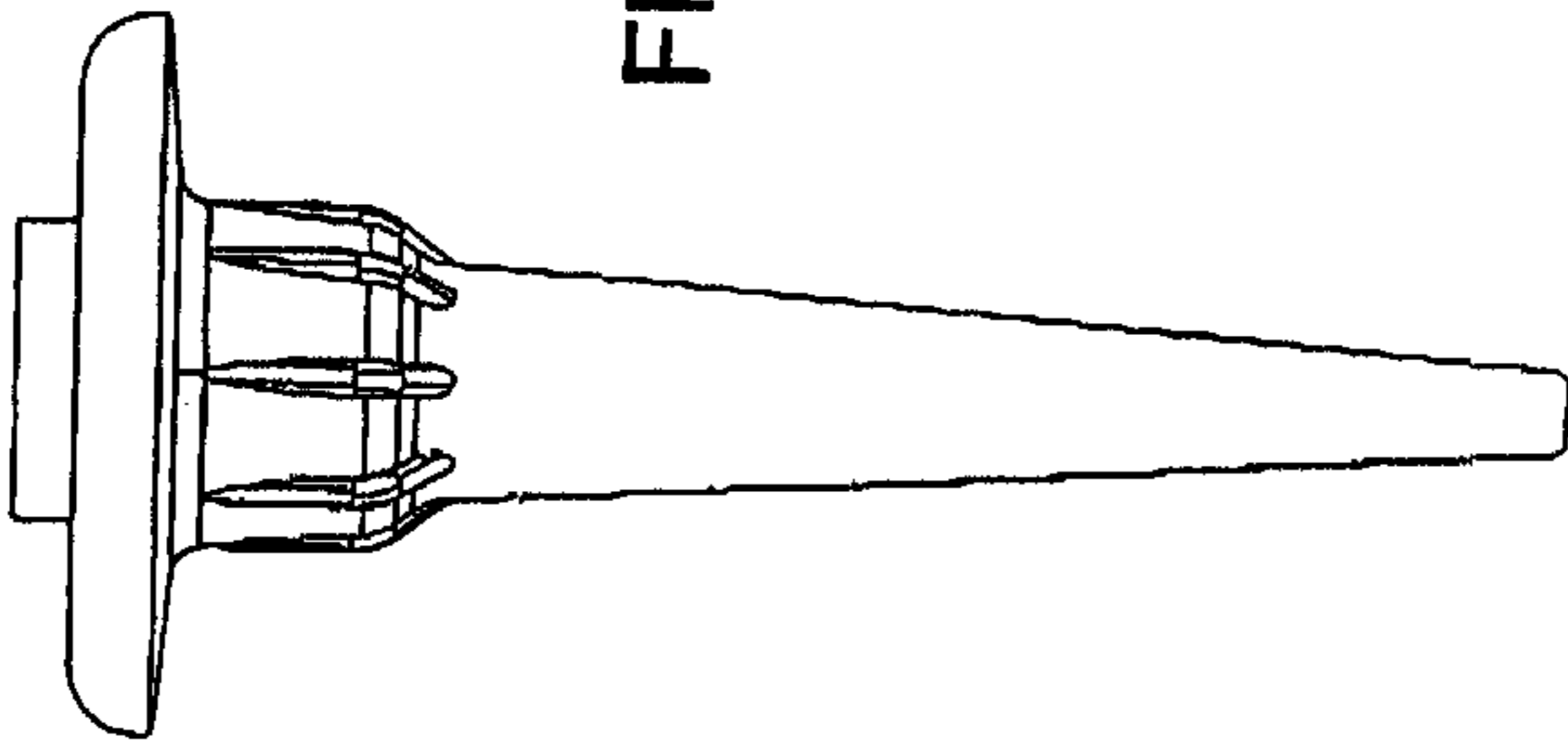


FIG. 1

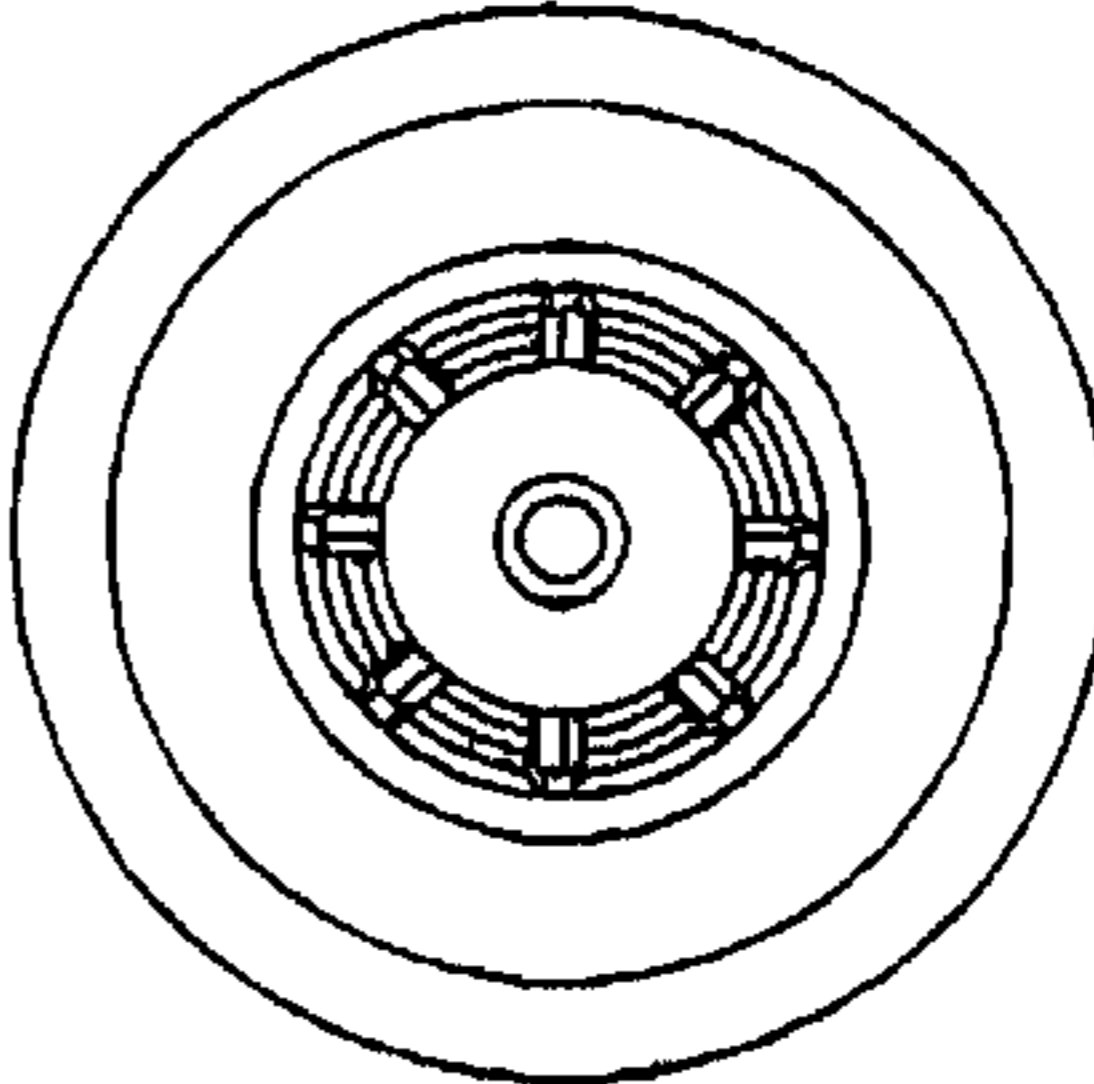


FIG. 2

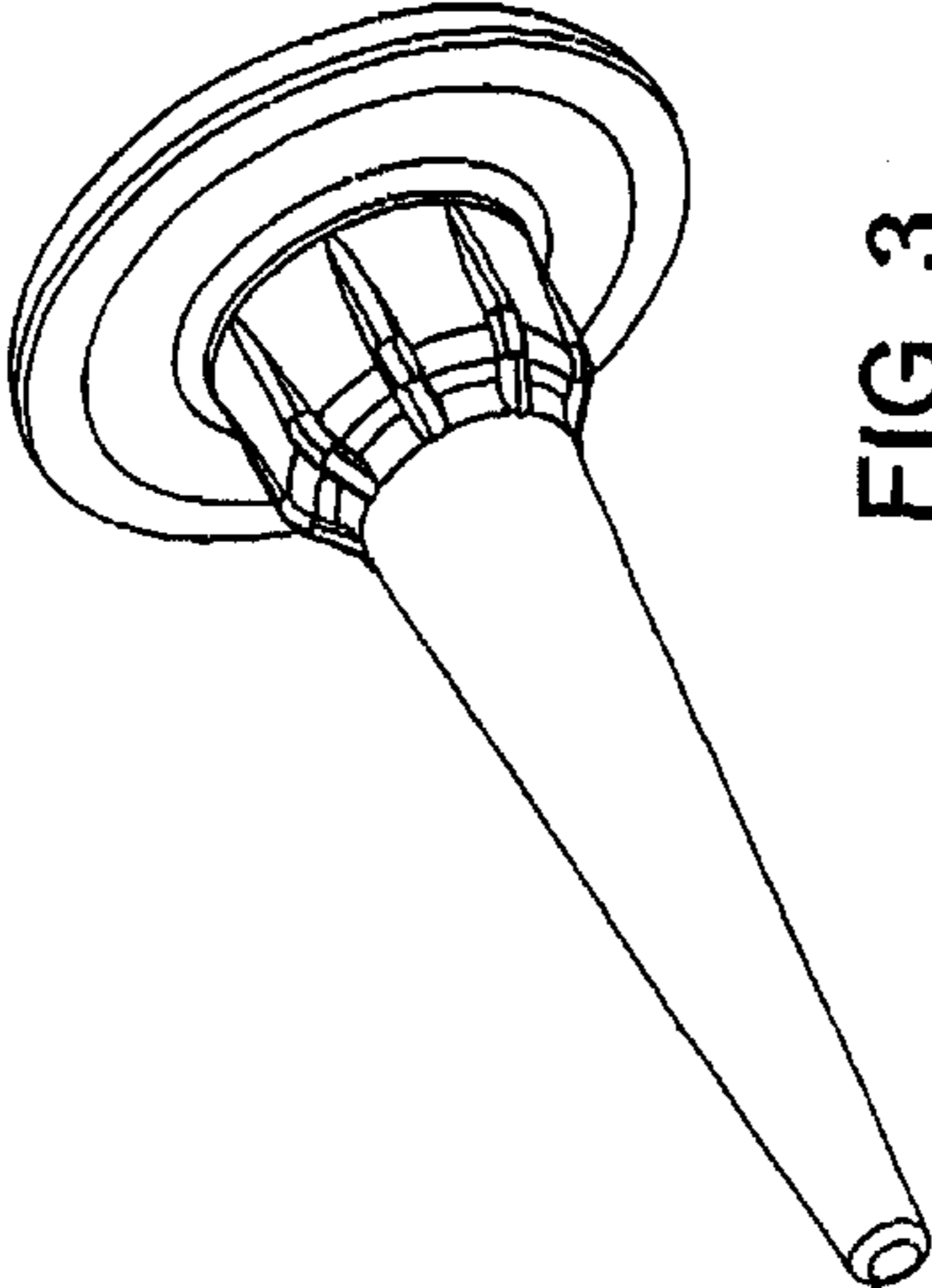


FIG. 3

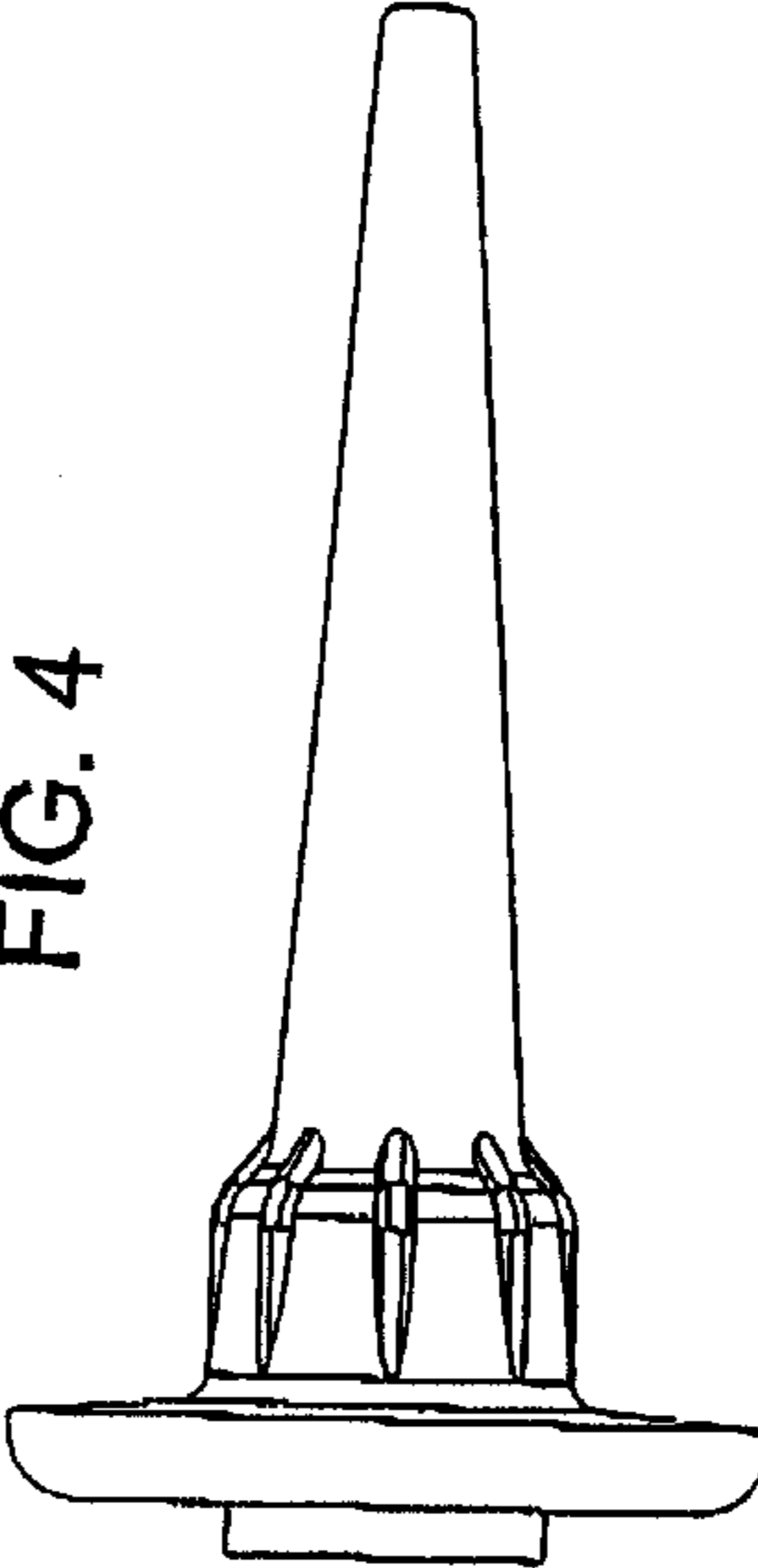


FIG. 4

UNITED STATES PATENT AND TRADEMARK OFFICE
CERTIFICATE OF CORRECTION

PATENT NO. : Des. 535,721 S
APPLICATION NO. : 29/225630
DATED : January 23, 2007
INVENTOR(S) : Peter Ford and Theodore Jay Mann

Page 1 of 1

It is certified that error appears in the above-identified patent and that said Letters Patent is hereby corrected as shown below:

Title Page:

Please correct the Assignee's Name and Address, section (73), *Assignee*, as indicated below:

Plaspak Steri-Plas Pty Limited, Kirrawee, New South Wales, AUSTRALIA

Signed and Sealed this

Fourth Day of March, 2008

A handwritten signature in black ink that reads "Jon W. Dudas". The signature is written in a cursive style with a large, looped initial "J".

JON W. DUDAS

Director of the United States Patent and Trademark Office