



US00D535720S

(12) **United States Design Patent**  
**Porter et al.**

(10) **Patent No.: US D535,720 S**  
(45) **Date of Patent: \*\* Jan. 23, 2007**

(54) **SKIMMER ASSEMBLY**  
(75) Inventors: **Brian Porter**, Addison, IL (US);  
**Christopher Barmore**, Chicago, IL  
(US); **Martin Lucassen**, Round Lake,  
IL (US)

(73) Assignee: **Safety-Kleen Systems, Inc.**, Plano, TX  
(US)

(\*\*) Term: **14 Years**

(21) Appl. No.: **29/227,144**

(22) Filed: **Apr. 7, 2005**

(51) **LOC (8) Cl.** ..... **23-01**

(52) **U.S. Cl.** ..... **D23/210**

(58) **Field of Classification Search** ..... D23/210,  
D23/208; 210/241, 242.2, 242.3, 242.1, 169  
See application file for complete search history.

6,180,004 B1	1/2001	Drewery	
6,183,654 B1	2/2001	Terrien et al.	
6,238,577 B1	5/2001	MacLaren	
6,277,287 B1	8/2001	Terrien et al.	
6,387,250 B1 *	5/2002	Henkin et al.	210/97
6,485,638 B1 *	11/2002	Henkin et al.	210/143
6,485,652 B1	11/2002	Le Poder et al.	
6,488,841 B1	12/2002	Glasgow	
6,709,580 B1 *	3/2004	Ouwinga	210/169
6,827,853 B1 *	12/2004	Terrien et al.	210/238
2002/0185426 A1	12/2002	Bealer, Jr.	
2003/0075515 A1	4/2003	Maki	
2003/0178377 A1	9/2003	Larson	

\* cited by examiner

*Primary Examiner*—Robin Webster

(74) *Attorney, Agent, or Firm*—Vedder Price Kaufman &  
Kammholz

(57) **CLAIM**

The ornamental design for a skimmer assembly, as shown.

(56) **References Cited**

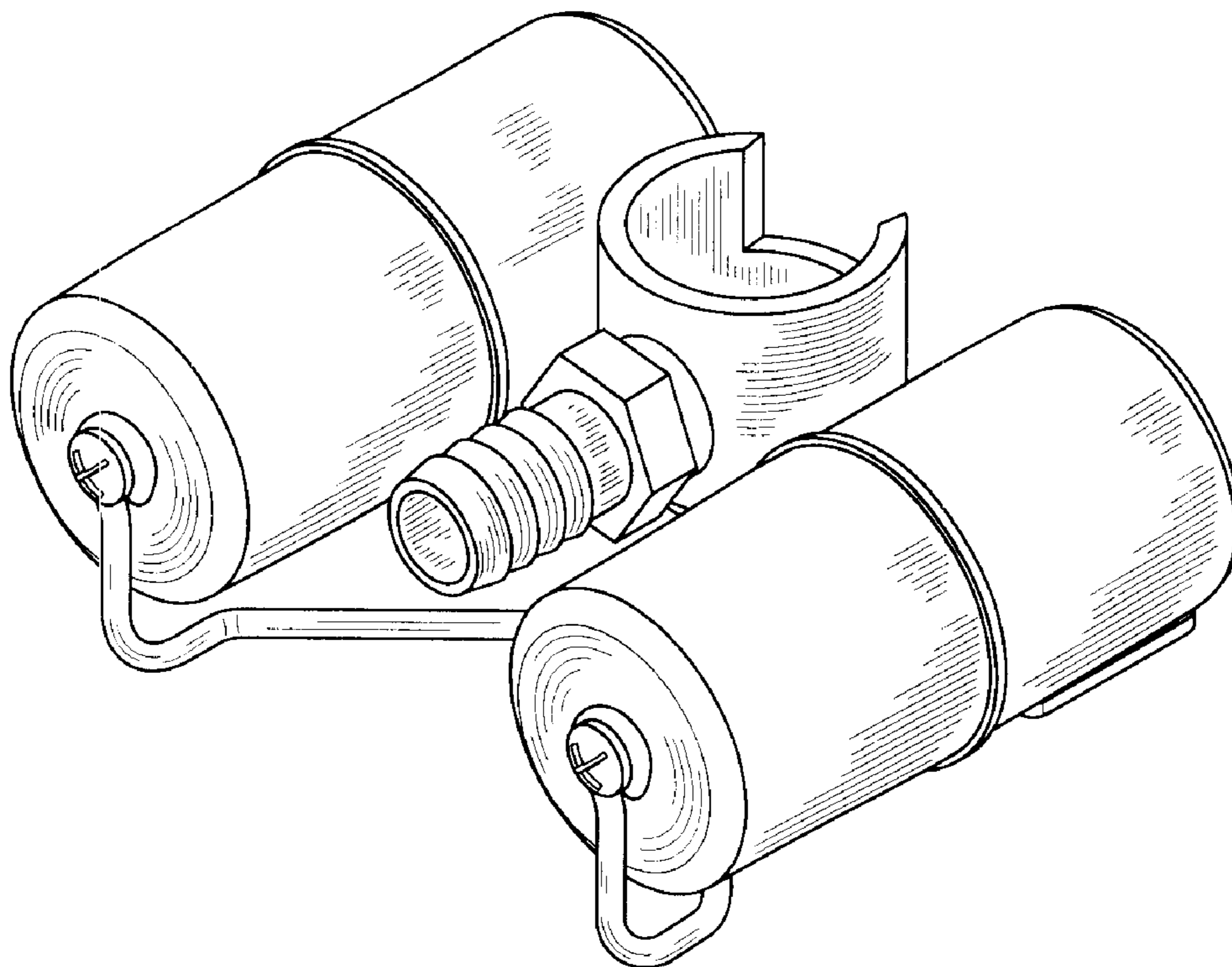
**U.S. PATENT DOCUMENTS**

1,107,391 A	8/1914	Welch	
4,610,785 A	9/1986	Russell	
5,030,342 A	7/1991	Ortega	
5,143,605 A	9/1992	Masciarelli	
5,445,730 A	8/1995	Pattee	
5,961,822 A *	10/1999	Polimeni, Jr.	210/94
6,042,721 A	3/2000	Peters, Jr. et al.	
6,110,383 A	8/2000	Coombs	
6,146,530 A	11/2000	Vollmer	

**DESCRIPTION**

FIG. 1 is a perspective view of a skimmer assembly;  
FIG. 2 is a front elevation view;  
FIG. 3 is a rear elevation view;  
FIG. 4 is a side elevation view, the opposite side being a  
mirror image thereof;  
FIG. 5 is a top plan view; and,  
FIG. 6 is a bottom plan view.

**1 Claim, 3 Drawing Sheets**



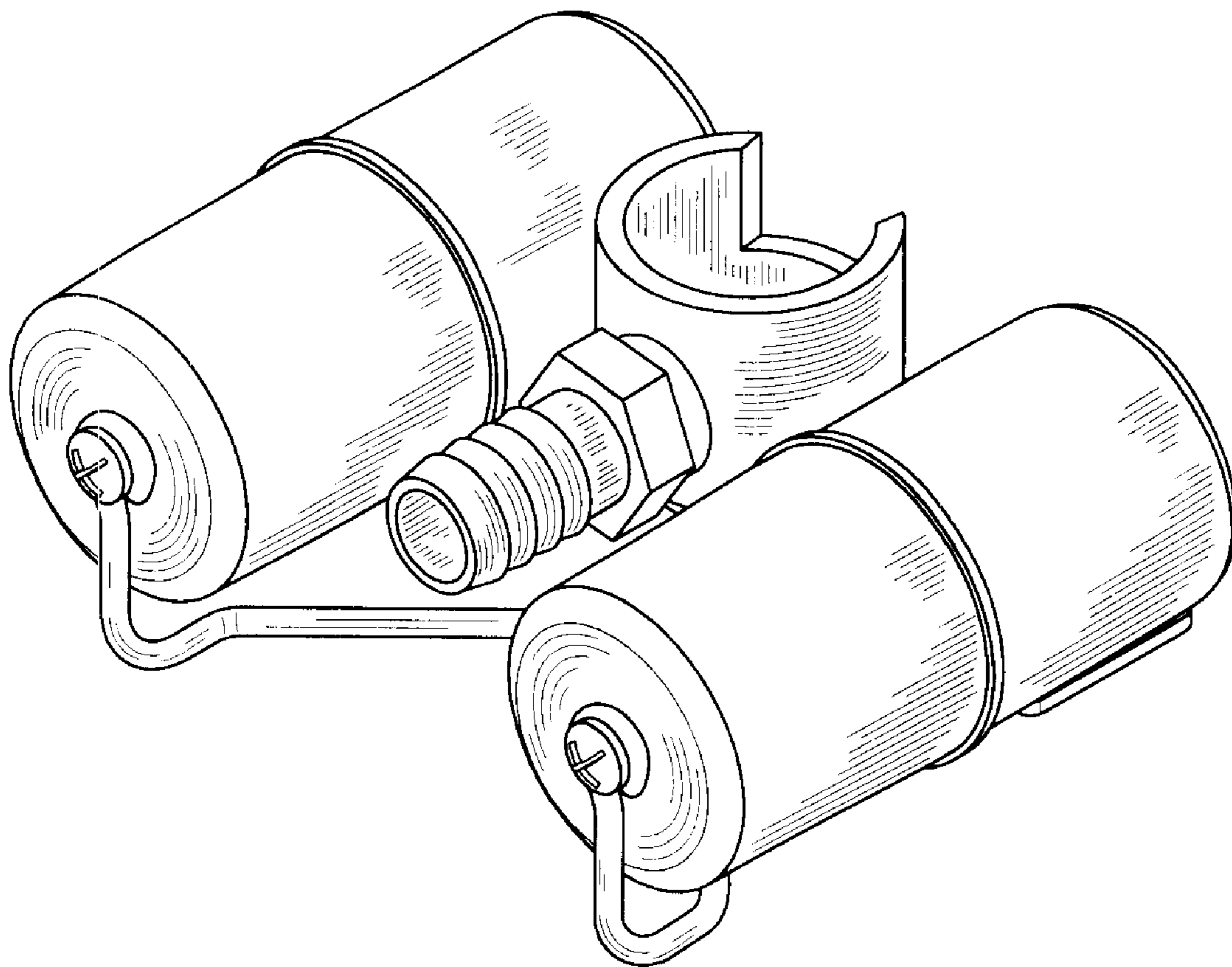


FIG. 1

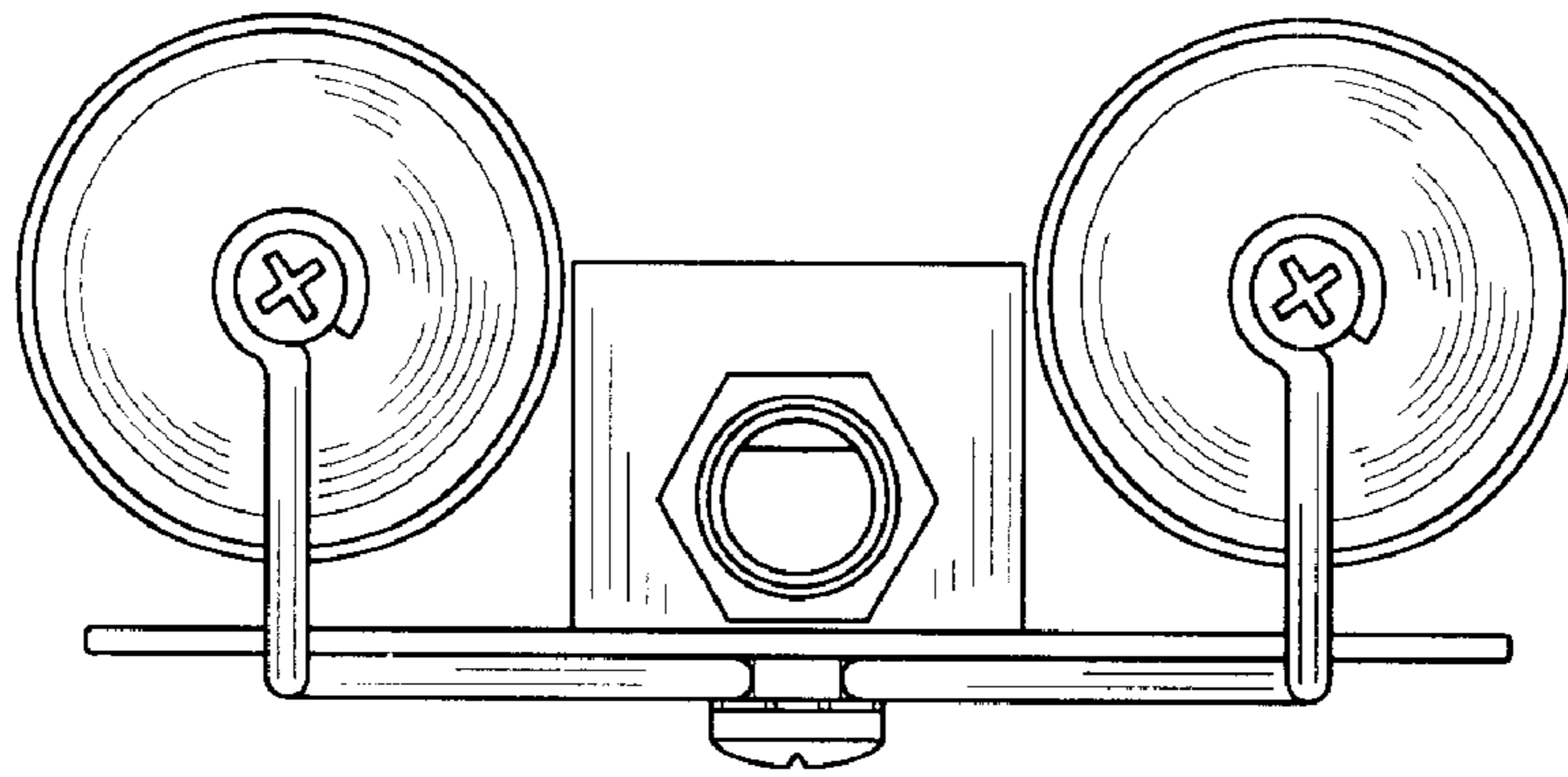


FIG. 2

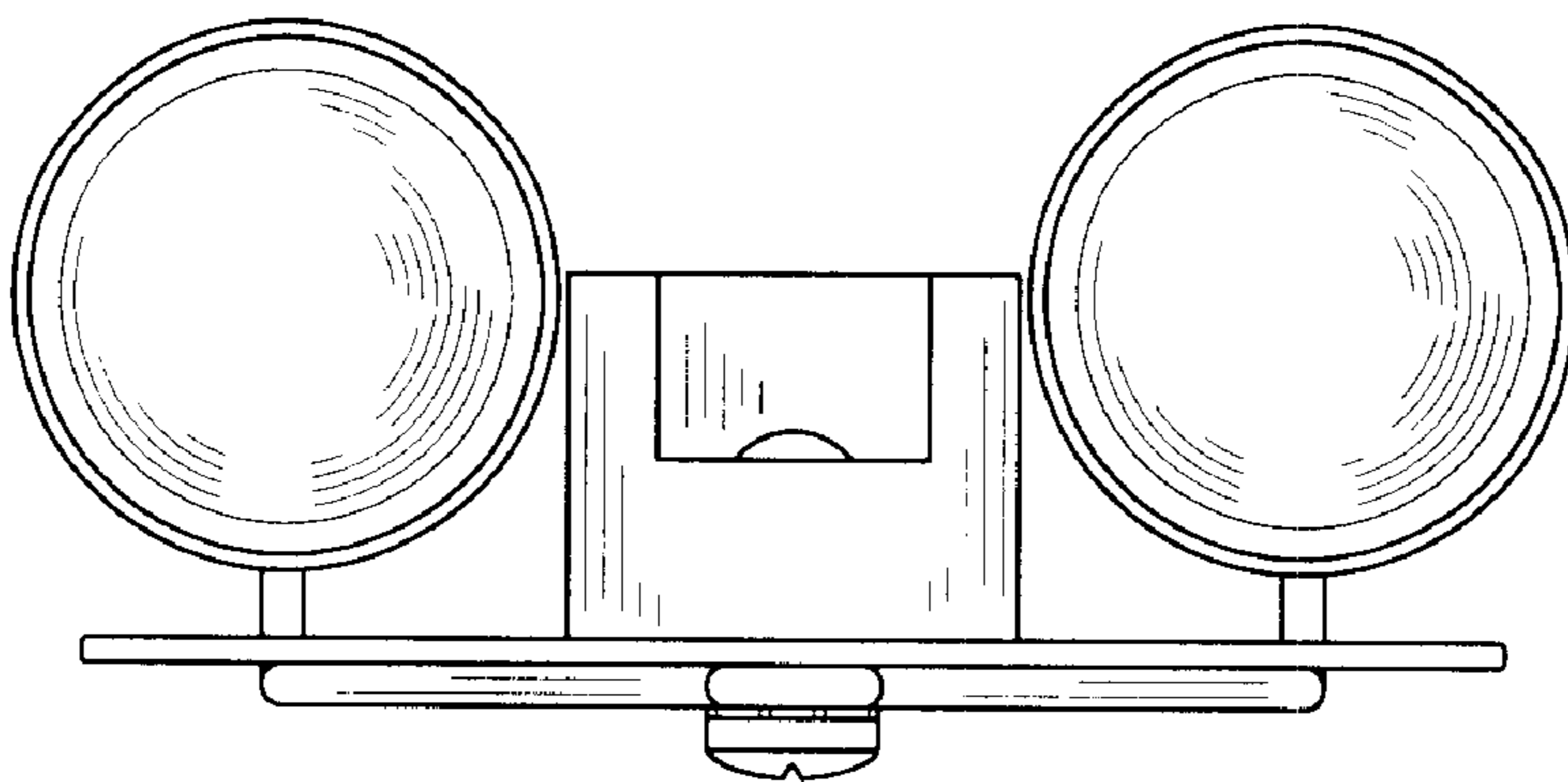


FIG. 3

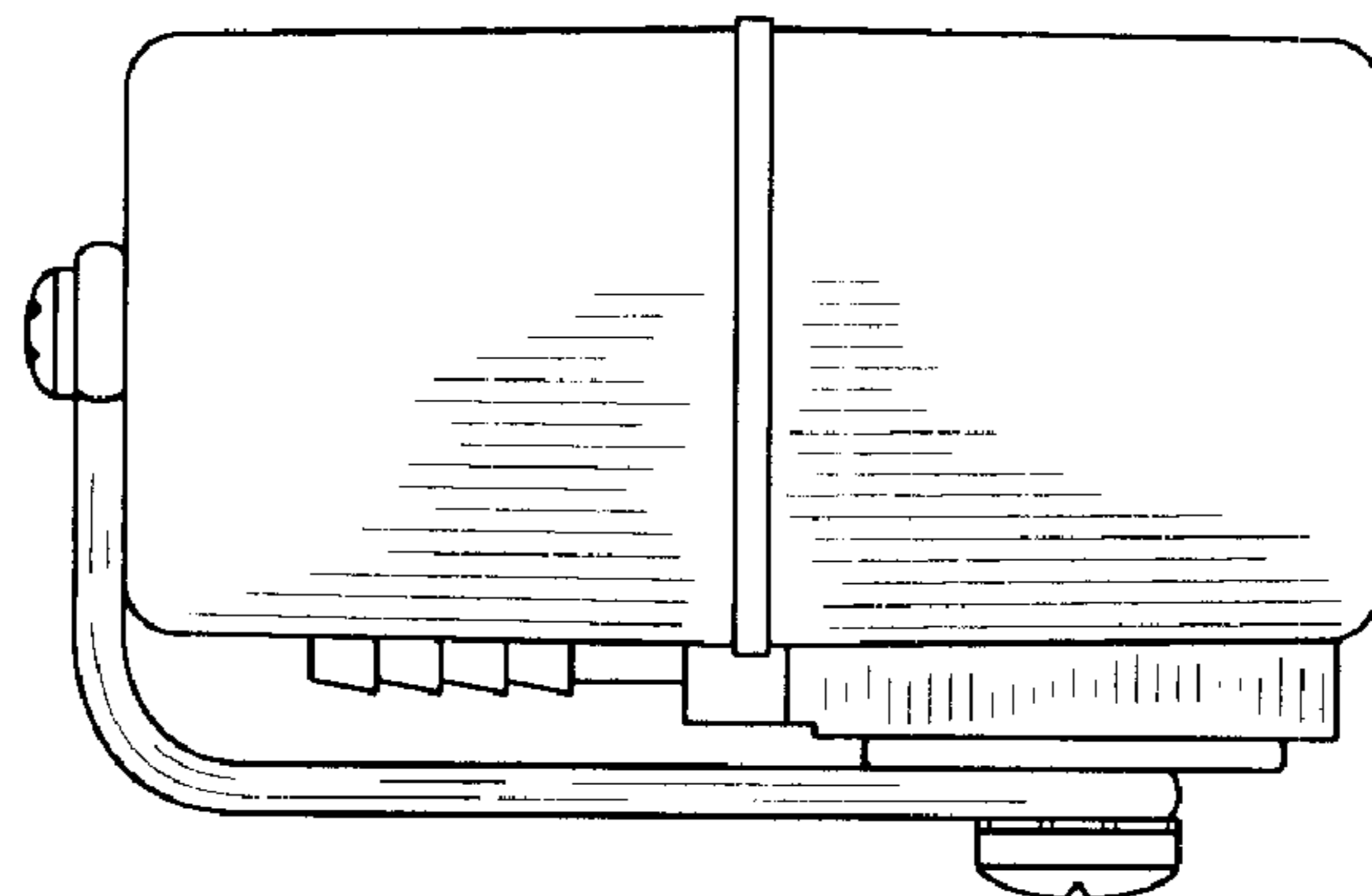


FIG. 4

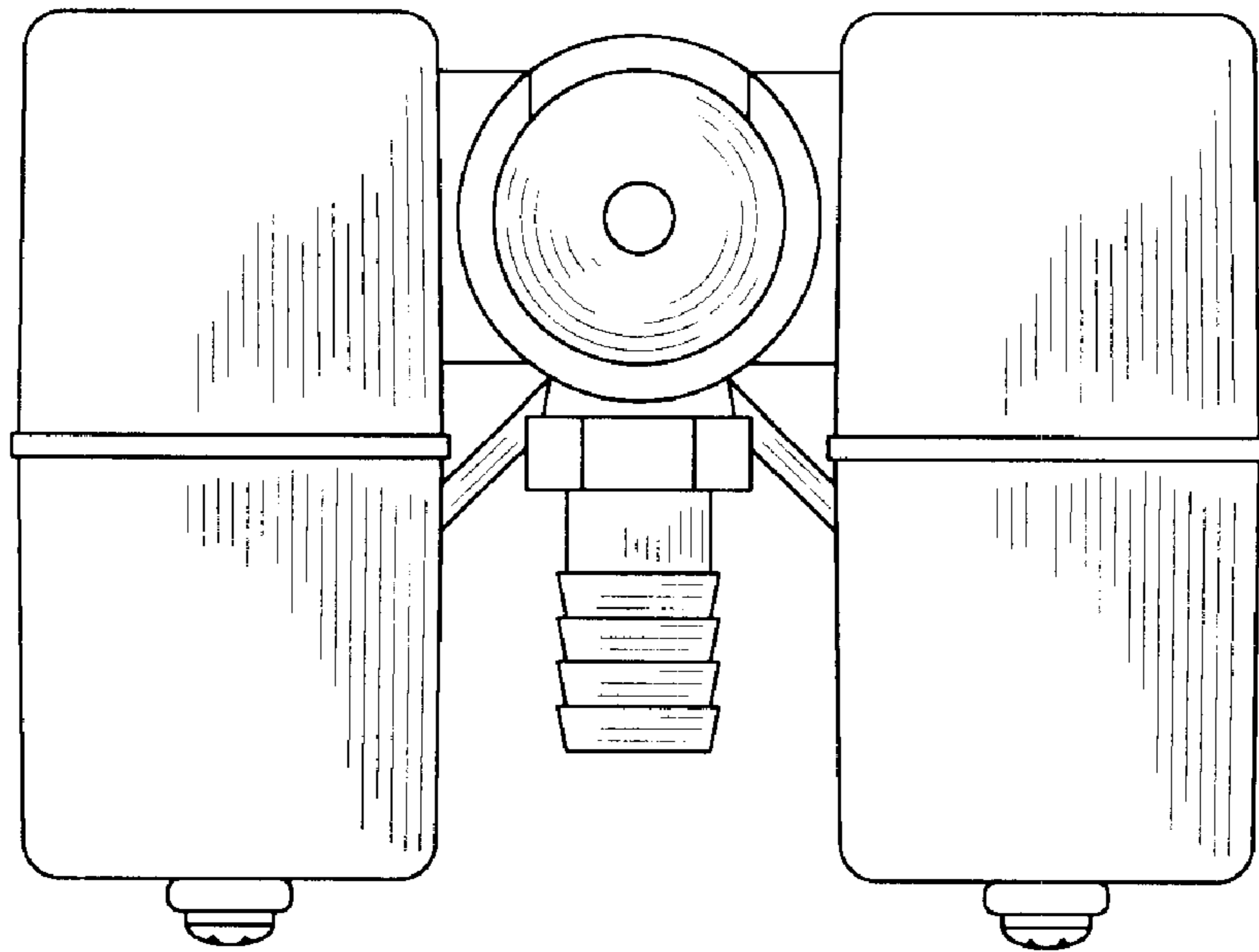


FIG. 5

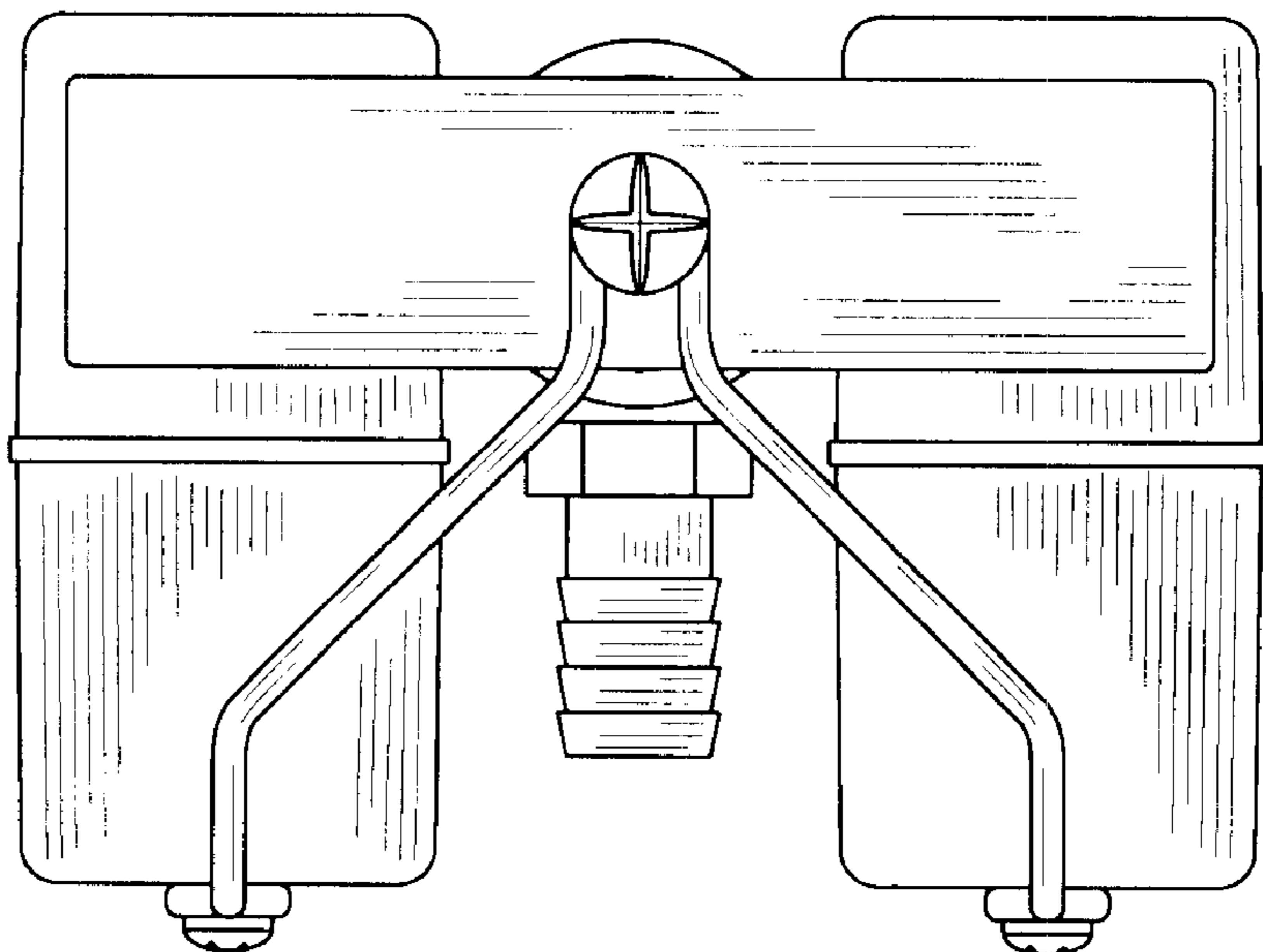


FIG. 6