



US00D535714S

(12) **United States Design Patent**
Cheng et al.

(10) **Patent No.:** **US D535,714 S**
(45) **Date of Patent:** **** Jan. 23, 2007**

(54) **ROLLER SKATE**

(75) Inventors: **Chen Wei Cheng**, DongGuan (CN);
Chen Wei Tong, DongGuan (CN);
Chen Wei Pei, DongGuan (CN)

(73) Assignee: **K&B International Limited**, Hong Kong (HK)

(**) Term: **14 Years**

(21) Appl. No.: **29/221,950**

(22) Filed: **Jan. 24, 2005**

(51) **LOC (8) Cl.** **21-02**

(52) **U.S. Cl.** **D21/763**

(58) **Field of Classification Search** D21/423,
D21/760, 763, 771, 779; 280/11.14, 11.16,
280/11.19, 11.226, 11.233, 11.25, 809, 811
See application file for complete search history.

(56) **References Cited**

U.S. PATENT DOCUMENTS

D143,983 S * 2/1946 Miller D21/763
D233,537 S * 11/1974 Horner D21/763
D238,803 S * 2/1976 Sessa D21/763

D272,258 S * 1/1984 Olivieri D21/763
D302,453 S * 7/1989 Huang D21/763
D313,450 S * 1/1991 Willhoft D21/763
D341,861 S * 11/1993 Chen D21/763
6,047,974 A * 4/2000 Pozzobon et al. 280/11.216
D465,003 S * 10/2002 Ohrvall et al. D21/763
D482,750 S * 11/2003 Magerer et al. D21/763

* cited by examiner

Primary Examiner—Holly Baynham
Assistant Examiner—Cynthia M. Chin

(74) *Attorney, Agent, or Firm*—Kirschstein, et al.

(57) **CLAIM**

The ornamental design for a roller skate, as shown.

DESCRIPTION

FIG. 1 is a perspective view of a roller skate according to our new design;

FIG. 2 is a top plan view thereof;

FIG. 3 is a front elevational view thereof;

FIG. 4 is a right side elevational view thereof;

FIG. 5 is a rear elevational view thereof;

FIG. 6 is a left side elevational view thereof; and,

FIG. 7 is a bottom plan view thereof.

1 Claim, 4 Drawing Sheets

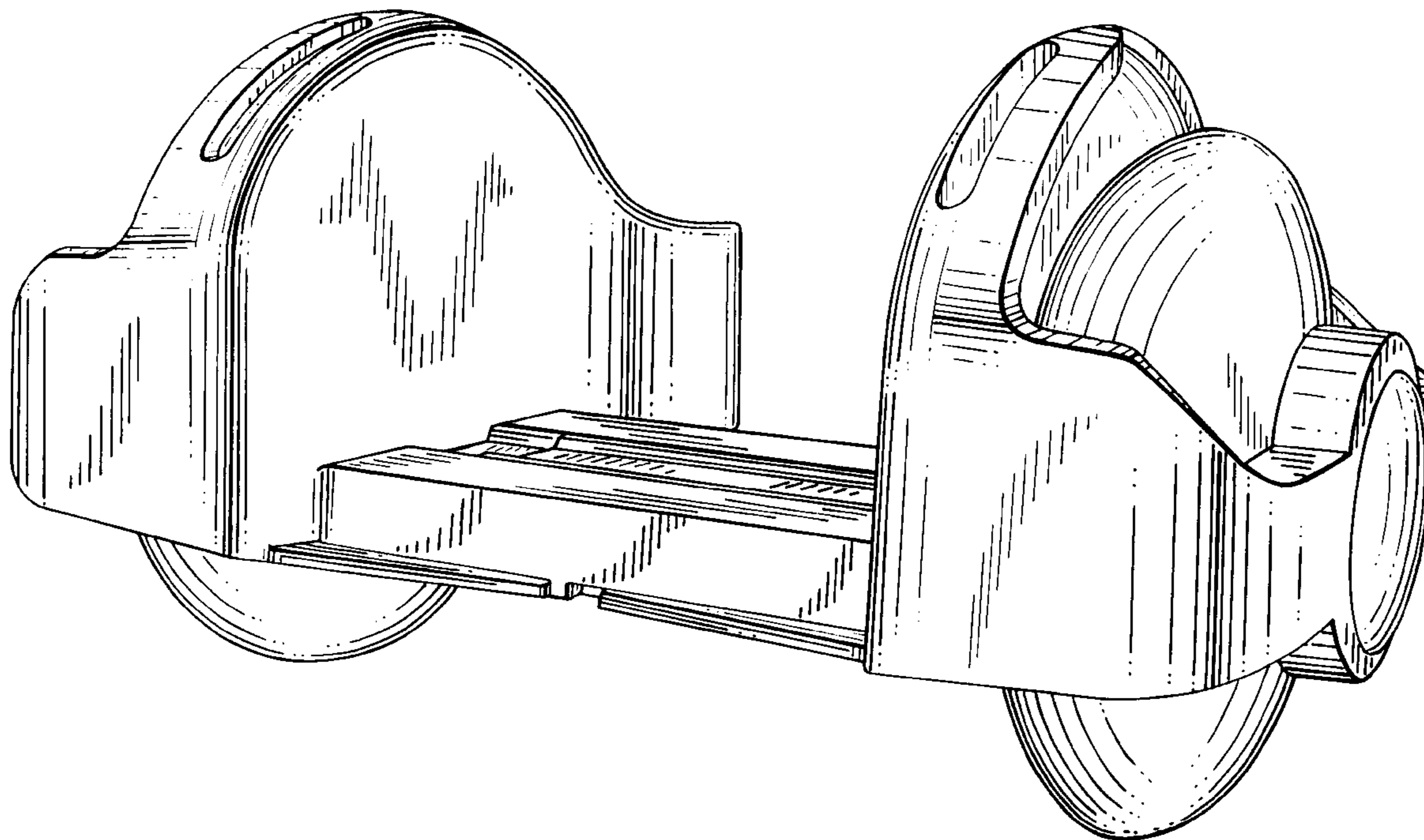


FIG. 1

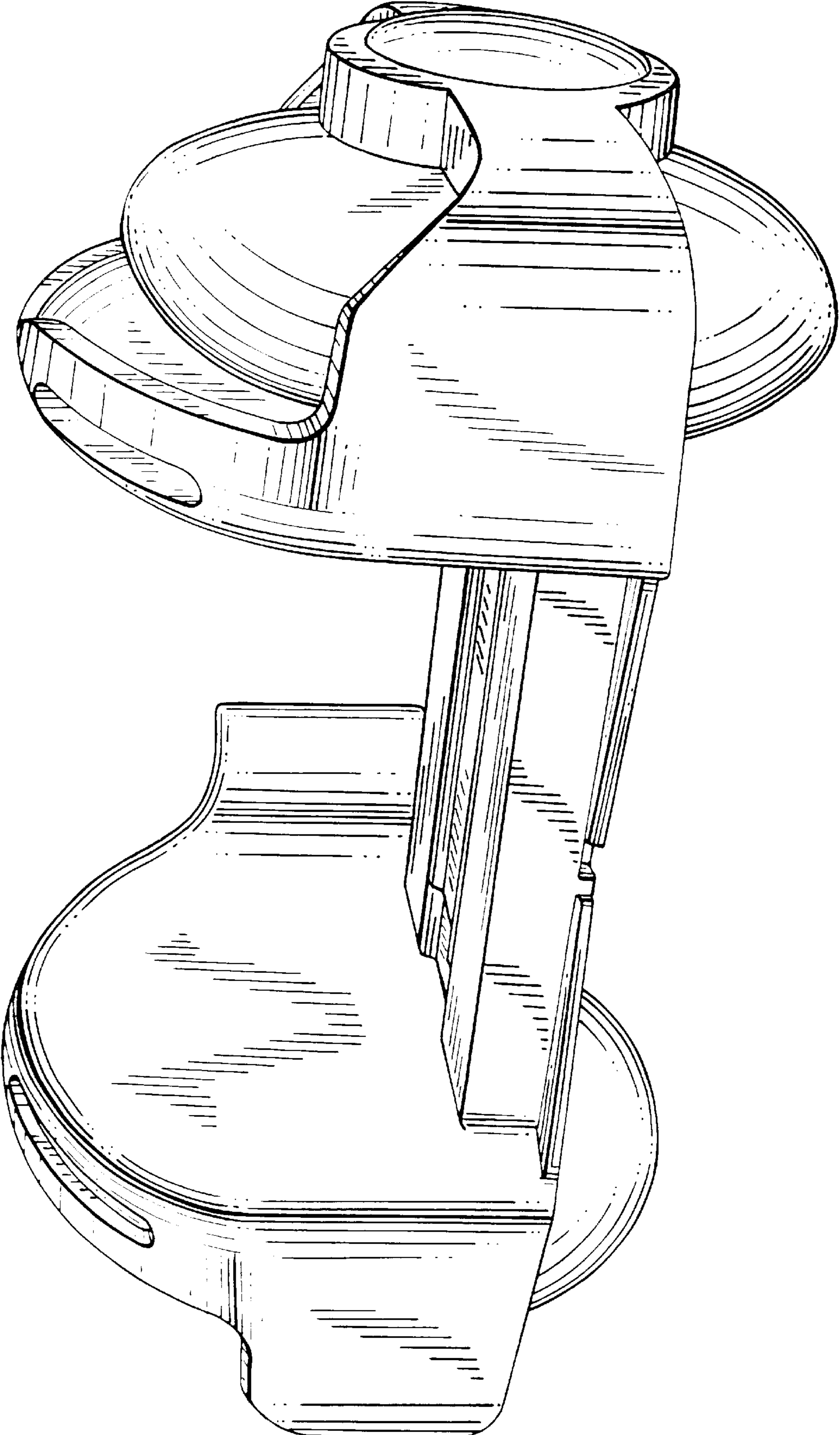


FIG. 2

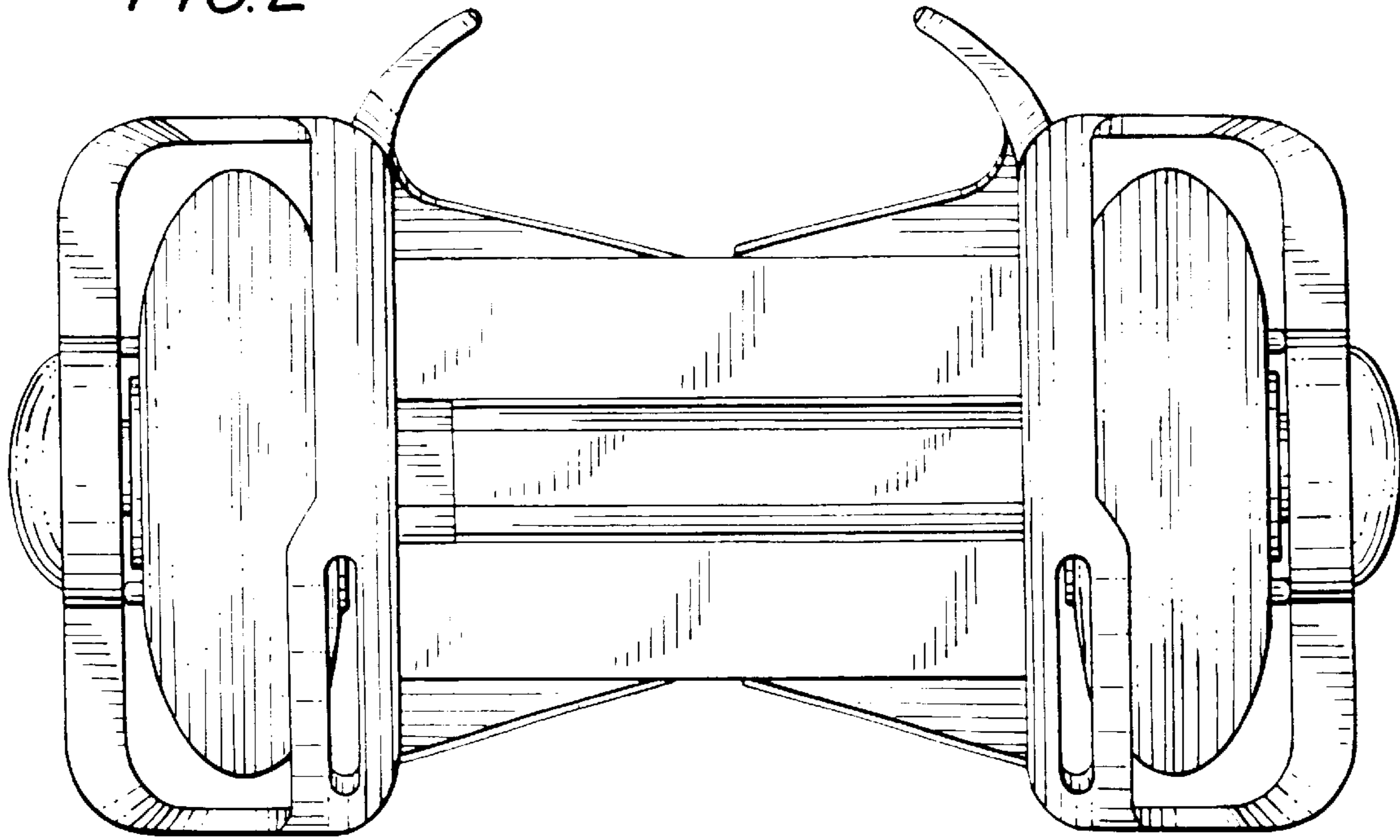


FIG. 3

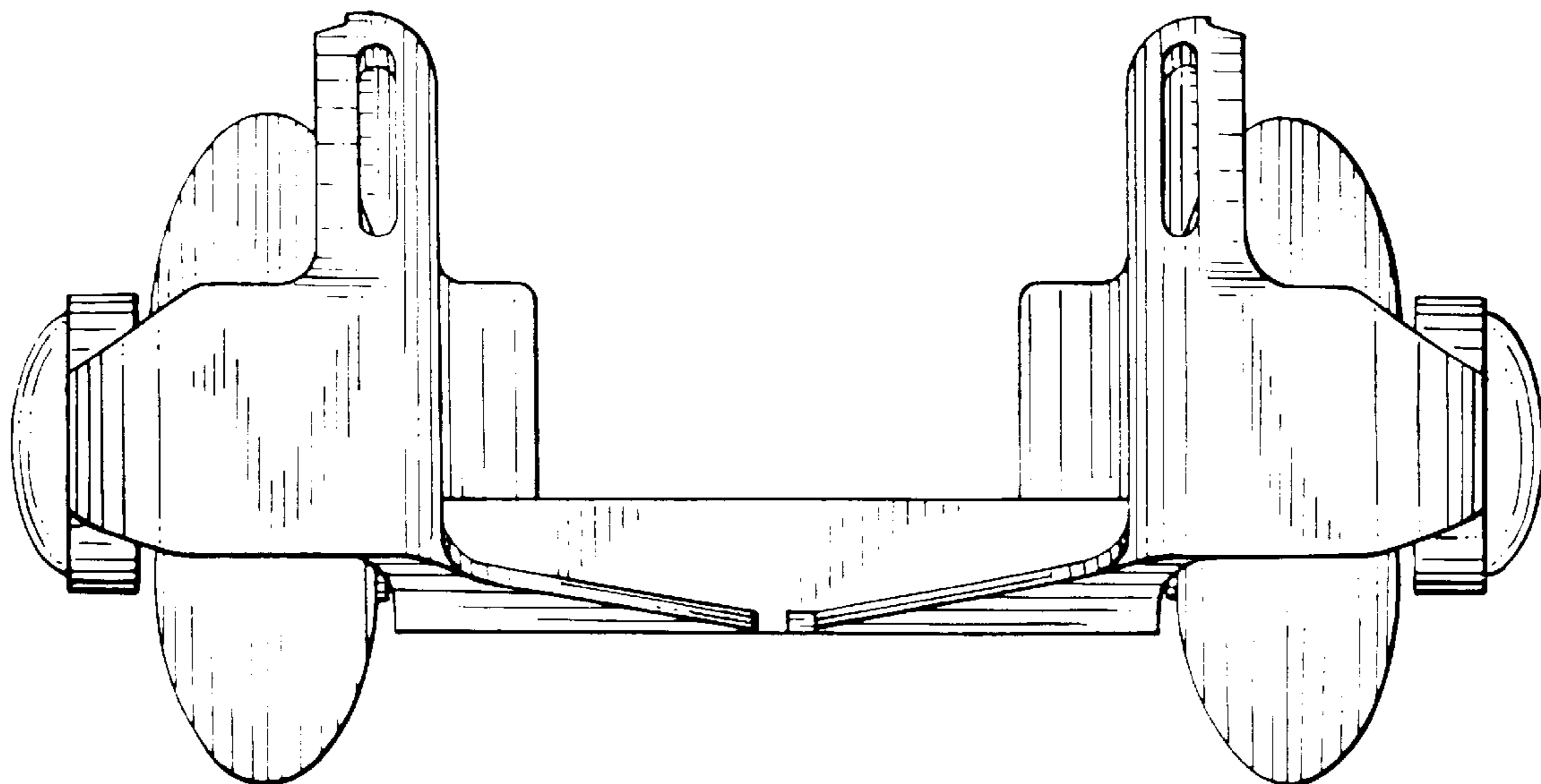


FIG. 4

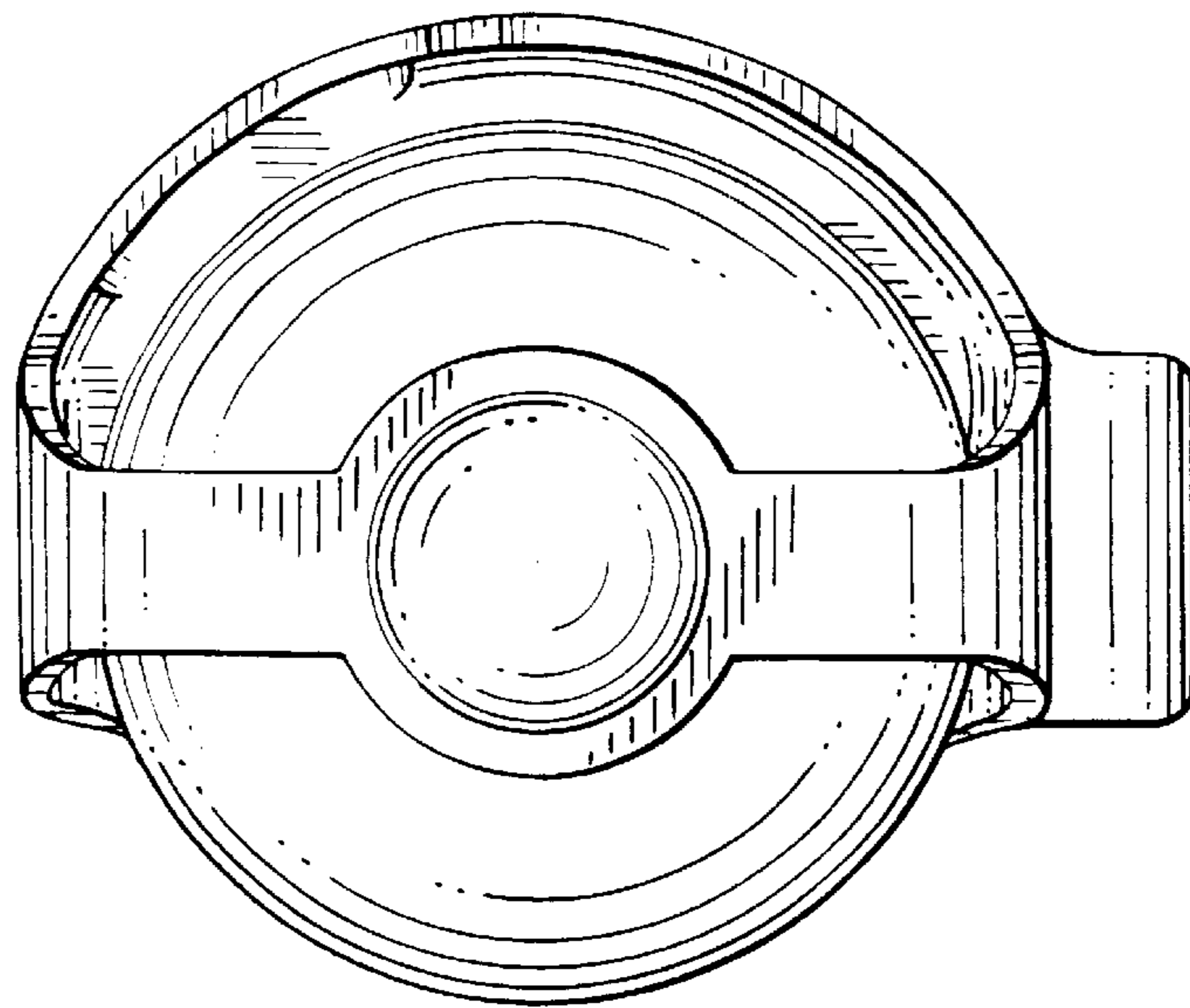


FIG. 5

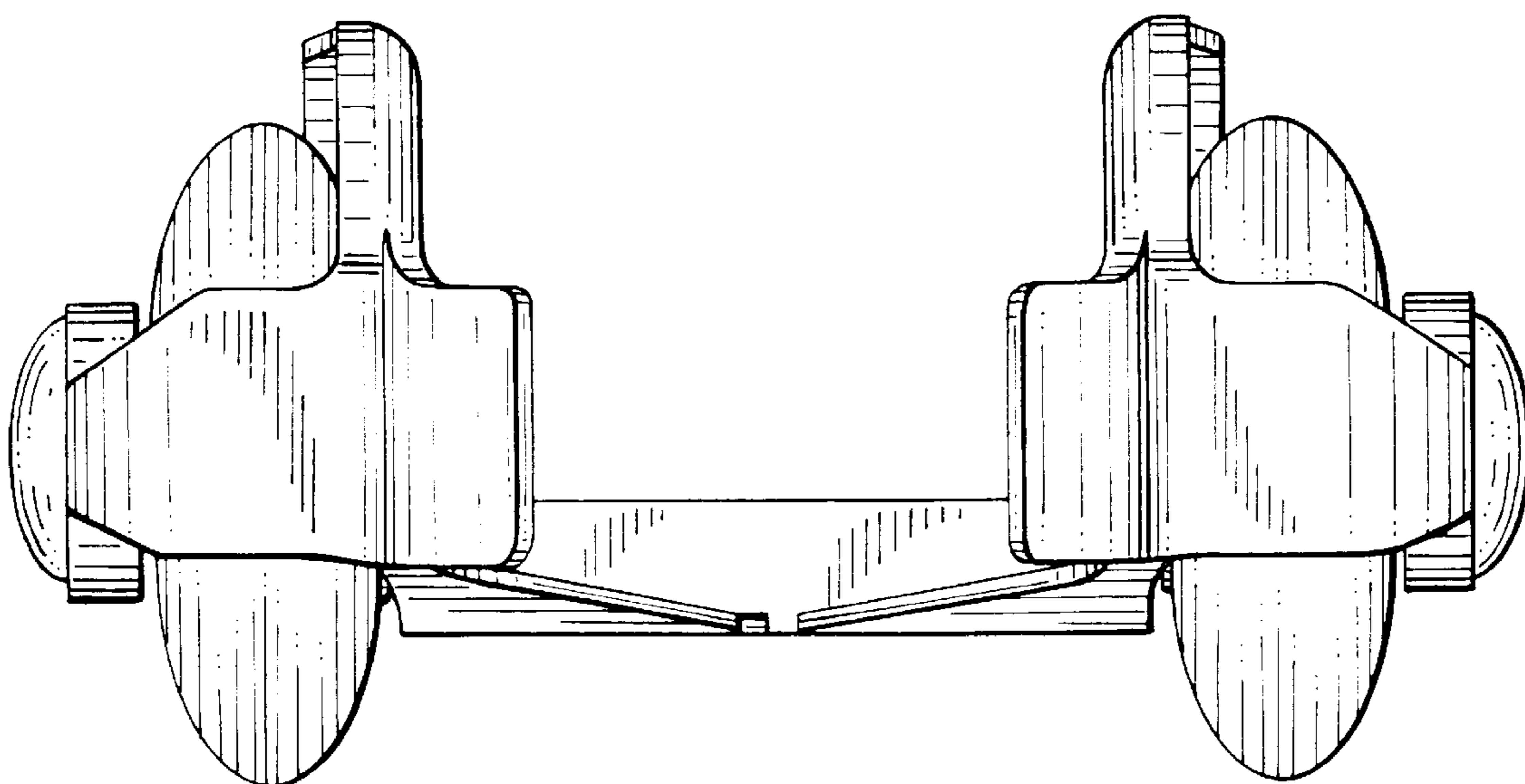


FIG. 6

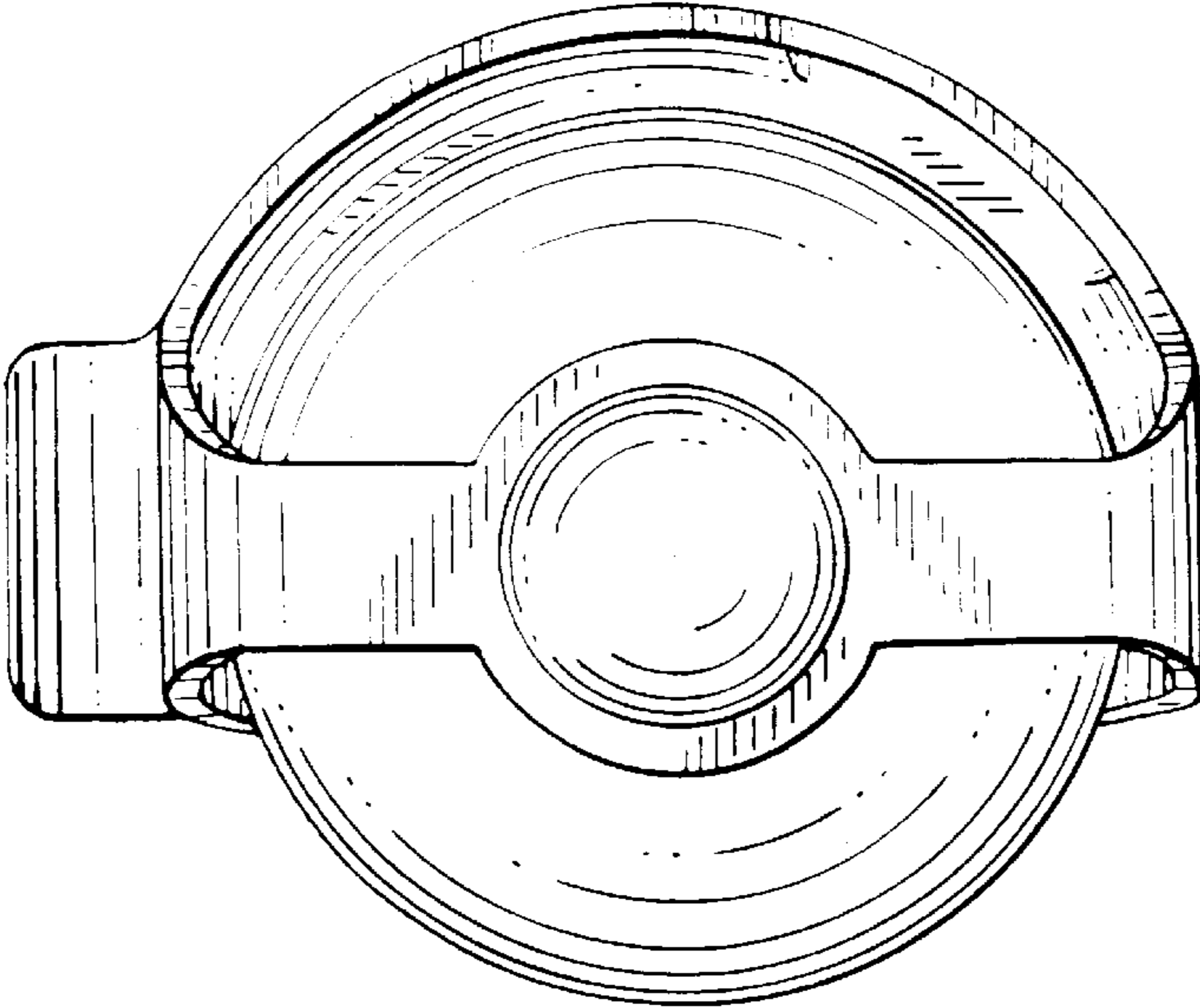


FIG. 7

