



US00D535710S

(12) **United States Design Patent**  
**Hsiung**

(10) **Patent No.:** **US D535,710 S**

(45) **Date of Patent:** **\*\* Jan. 23, 2007**

(54) **SKIING AND SKATING TRAINER**

(76) Inventor: **Bob Hsiung**, 21717 Ferrero Pkwy.,  
Walnut, CA (US) 91789

(\*\*) Term: **14 Years**

(21) Appl. No.: **29/258,887**

(22) Filed: **Apr. 28, 2006**

**Related U.S. Application Data**

(62) Division of application No. 29/221,754, filed on Jan. 18,  
2005, now Pat. No. Des. 521,576.

(51) **LOC (8) Cl.** ..... **21-02**

(52) **U.S. Cl.** ..... **D21/668; D21/670**

(58) **Field of Classification Search** ..... D21/662,  
D21/663, 664, 666, 667, 668, 669, 670; 482/51,  
482/52, 53, 54, 71, 72

See application file for complete search history.

(56) **References Cited**

**U.S. PATENT DOCUMENTS**

D321,229 S \* 10/1991 Dalton et al. .... D21/670

D339,837 S \* 9/1993 Hall et al. .... D21/670  
D354,321 S \* 1/1995 Clem ..... D21/670  
D401,645 S \* 11/1998 Kuo ..... D21/668  
D403,382 S \* 12/1998 Piaget ..... D21/670  
D407,769 S \* 4/1999 Sands et al. .... D21/670  
D408,874 S \* 4/1999 Kuo et al. .... D21/670  
D458,977 S \* 6/2002 Tobias et al. .... D21/668  
D484,930 S \* 1/2004 Yang ..... D21/670

\* cited by examiner

*Primary Examiner*—Philip S. Hyder

(74) *Attorney, Agent, or Firm*—Frank Frisenda

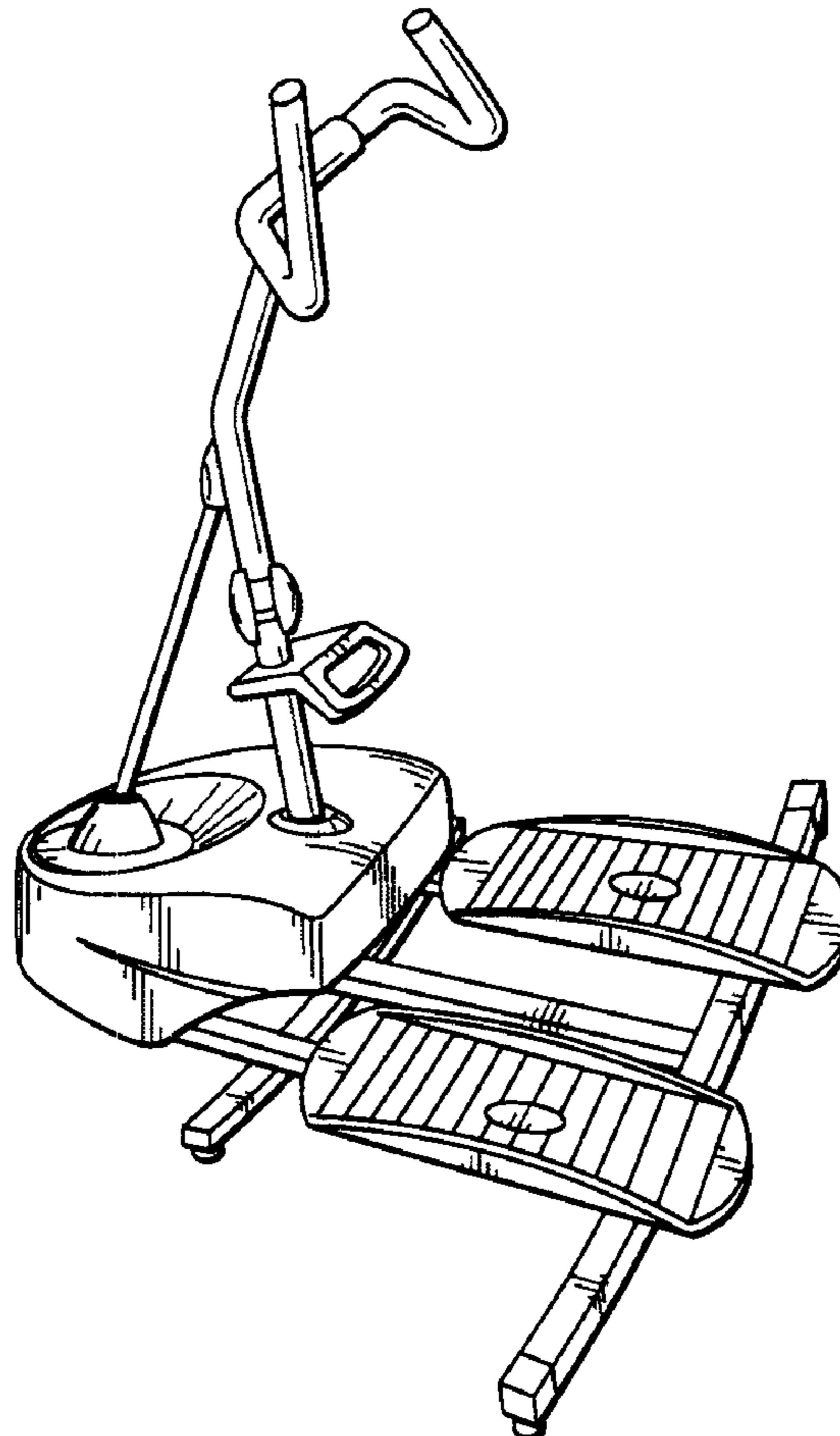
(57) **CLAIM**

The ornamental design for a skiing and skating trainer, as shown and described.

**DESCRIPTION**

FIG. 1 is a perspective view showing my new design;  
FIG. 2 is a front view thereof;  
FIG. 3 is a back view thereof;  
FIG. 4 is a side view thereof;  
FIG. 5 is a top view thereof; and,  
FIG. 6 is a bottom view thereof.

**1 Claim, 2 Drawing Sheets**



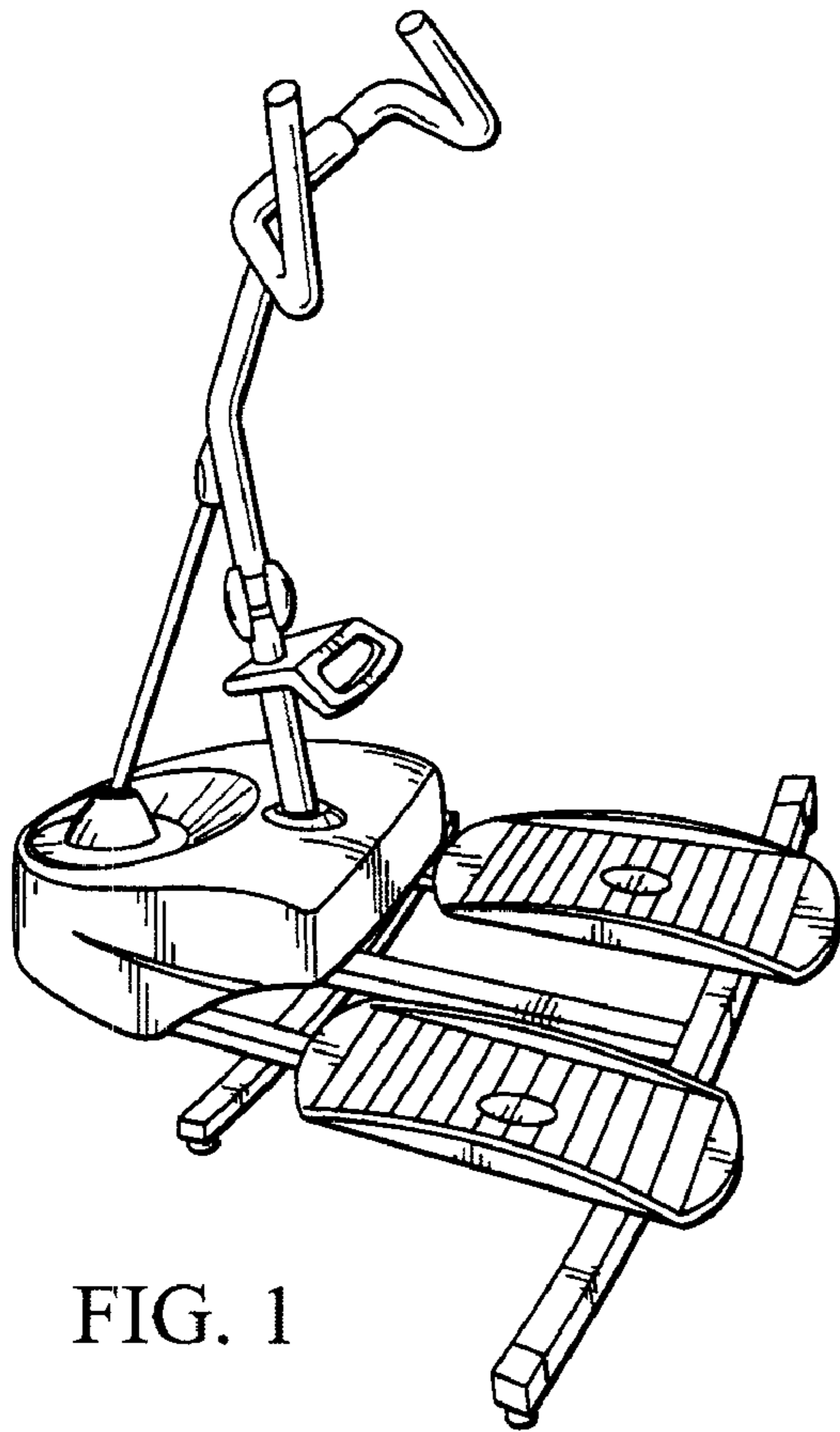


FIG. 1

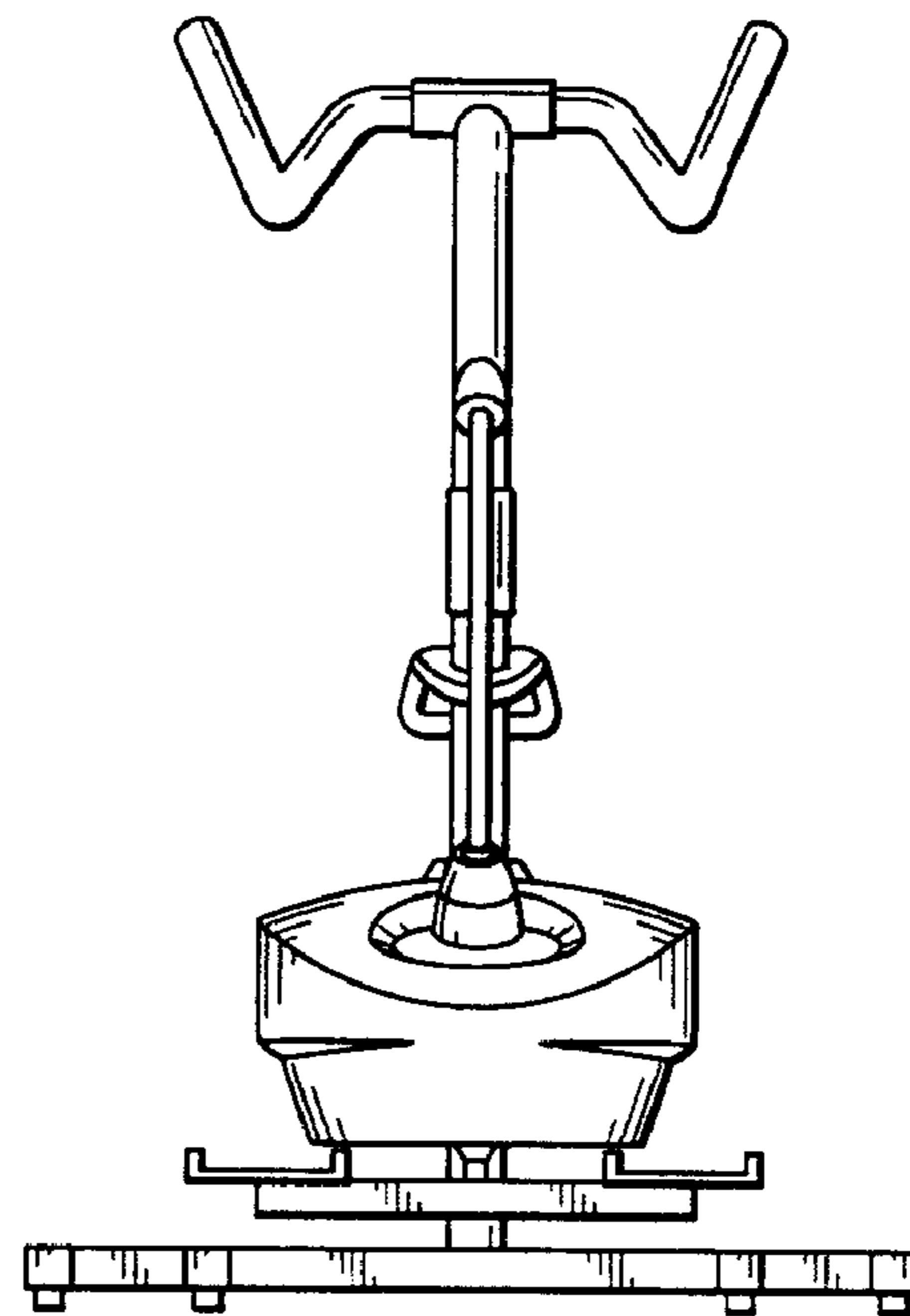


FIG. 2

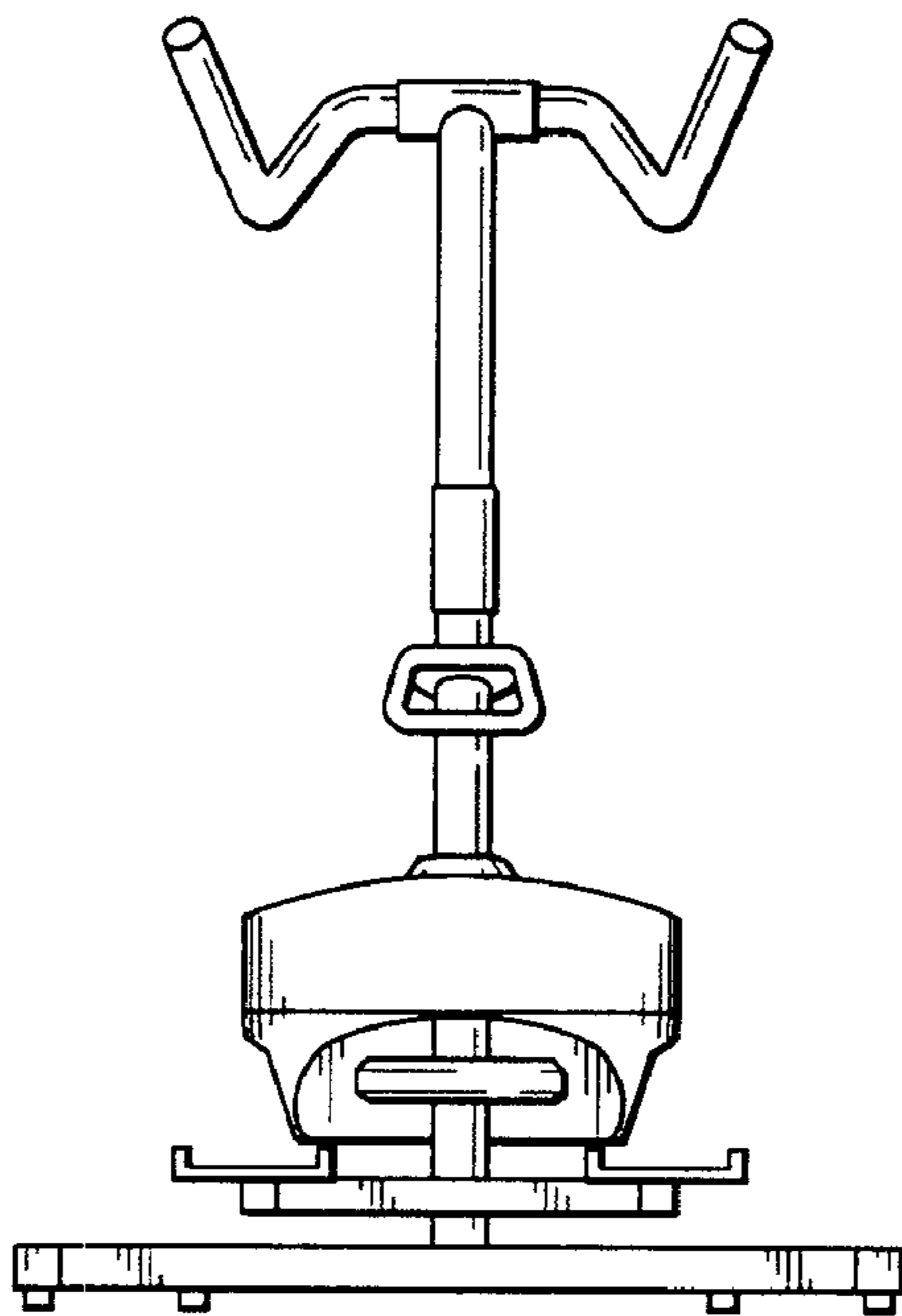


FIG. 3

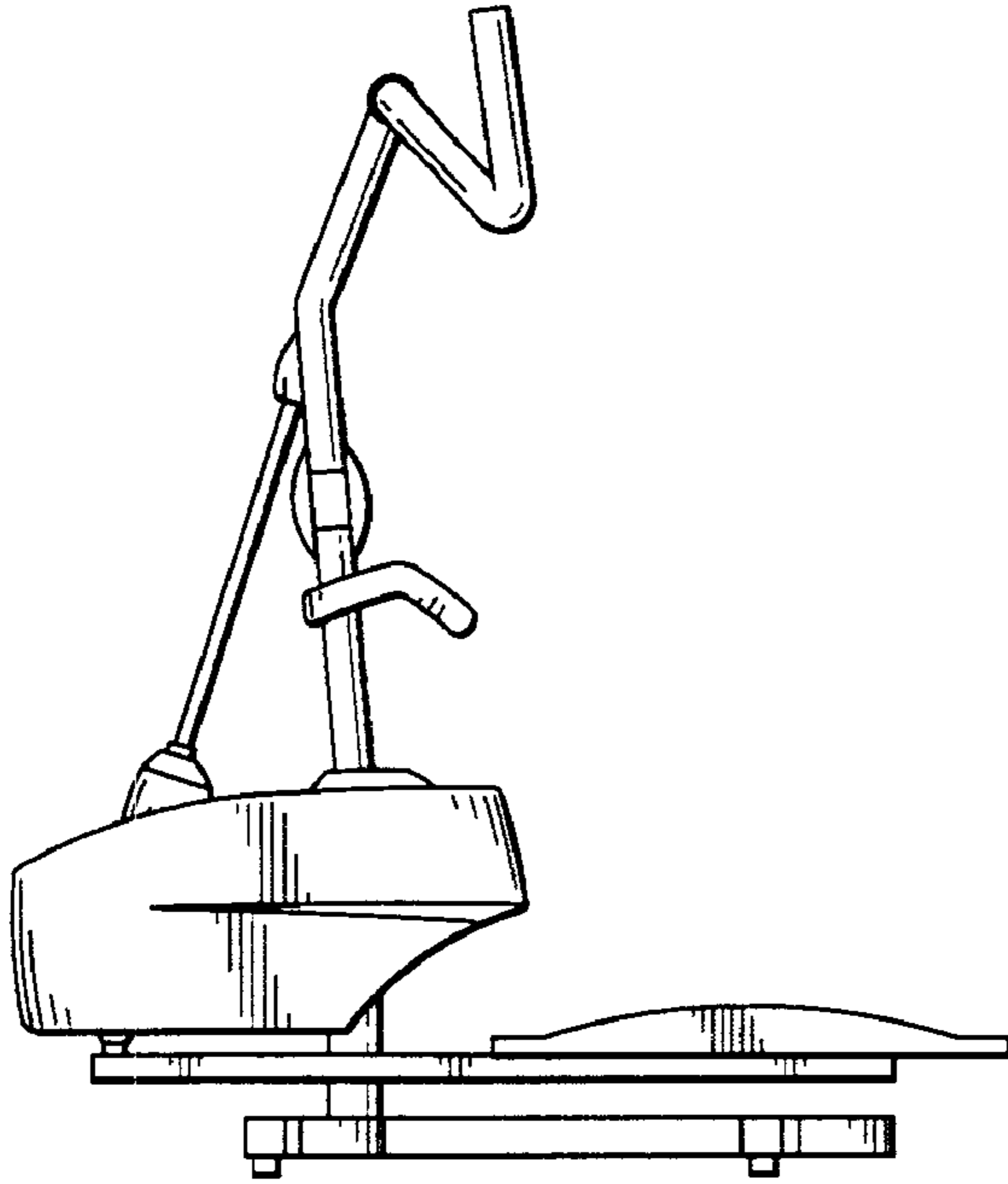


FIG. 4

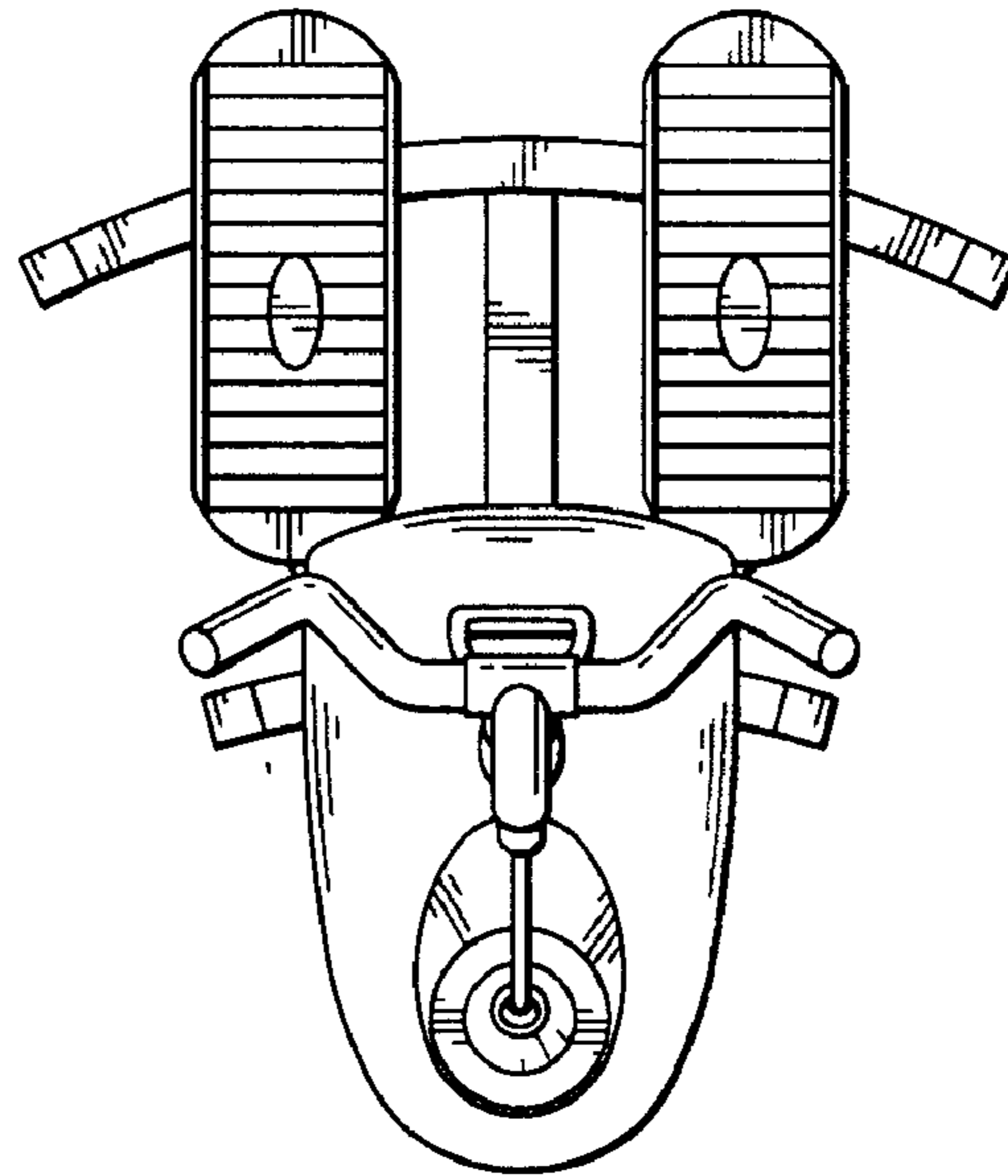


FIG. 5

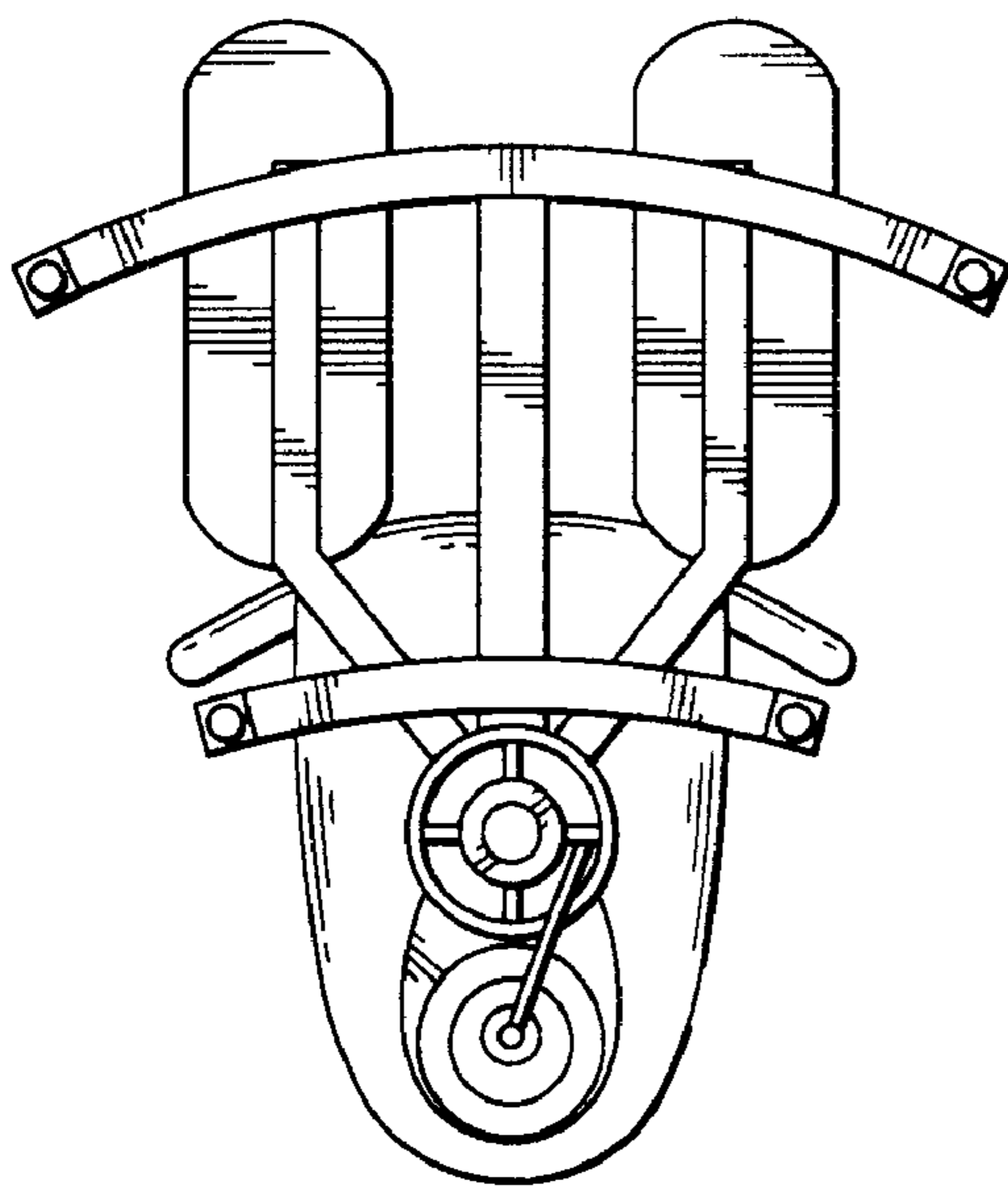


FIG. 6