



US00D535708S

(12) **United States Design Patent**
Yuen

(10) **Patent No.:** **US D535,708 S**

(45) **Date of Patent:** **** Jan. 23, 2007**

(54) **TOY RADIO CONTROL CAR**

(75) **Inventor:** **Shiu Hang Yuen**, Tsimshatsui East (HK)

(73) **Assignee:** **Golden Bright Manufacturer Ltd.**, Hong Kong (HK)

(**) **Term:** **14 Years**

(21) **Appl. No.:** **29/231,731**

(22) **Filed:** **Jun. 9, 2005**

(30) **Foreign Application Priority Data**

Jan. 10, 2005 (HK) 0500064.9M004

(51) **LOC (8) Cl.** **21-01**

(52) **U.S. Cl.** **D21/548**

(58) **Field of Classification Search** D21/533,
D21/548, 549, 550, 551, 562; D12/91, 92;
446/431, 454, 455, 456, 465, 470; 296/181.1
See application file for complete search history.

(56) **References Cited**

U.S. PATENT DOCUMENTS

- D291,336 S * 8/1987 Beiser et al. D21/549
- D393,304 S * 4/1998 Yeh D21/548
- D413,083 S * 8/1999 Odette et al. D12/92
- D414,445 S * 9/1999 Dehner et al. D12/92

- D422,942 S * 4/2000 Giugiaro D12/92
- D437,309 S * 2/2001 Brennan D14/218
- D438,529 S * 3/2001 Brennan D14/189
- D485,211 S * 1/2004 Pfeiffer et al. D12/92
- D490,863 S * 6/2004 Ramaciotti D21/548
- D506,161 S * 6/2005 Stephenson D12/92
- D516,464 S * 3/2006 Parkinson et al. D12/92
- D521,906 S * 5/2006 Ramaciotti D12/92
- D521,907 S * 5/2006 Elmitt D12/92

* cited by examiner

Primary Examiner—Philip S. Hyder

(74) *Attorney, Agent, or Firm*—Merchant & Gould P.C.

(57) **CLAIM**

The ornamental design for a toy radio control car, as shown and described.

DESCRIPTION

FIG. 1 is a front view of a toy radio control car in accordance with my invention thereof;
FIG. 2 is a rear view thereof;
FIG. 3 is a right side view thereof;
FIG. 4 is a left side view thereof;
FIG. 5 is a top view thereof;
FIG. 6 is a bottom view thereof; and,
FIG. 7 is a perspective view thereof.

1 Claim, 7 Drawing Sheets

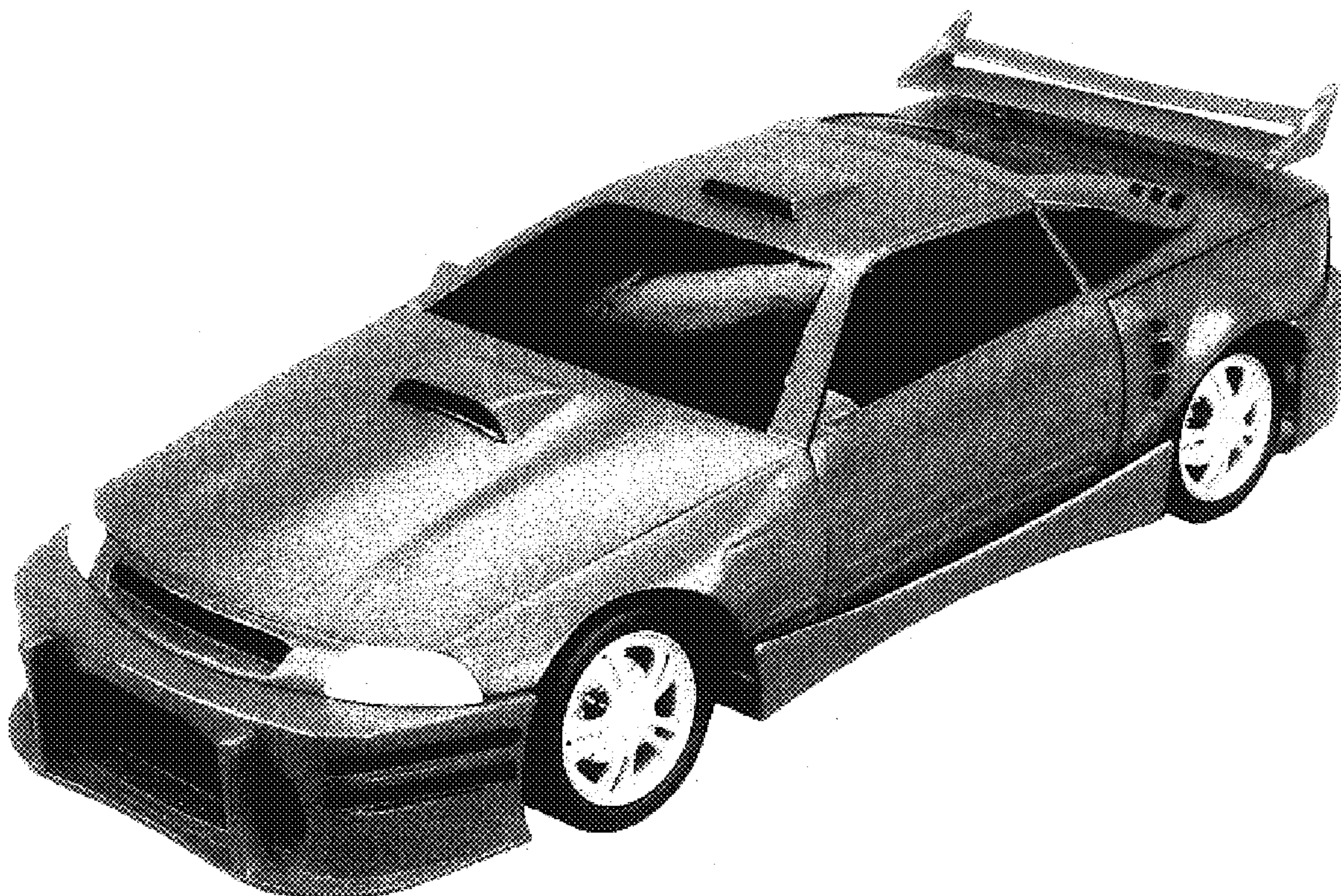


FIG. 1

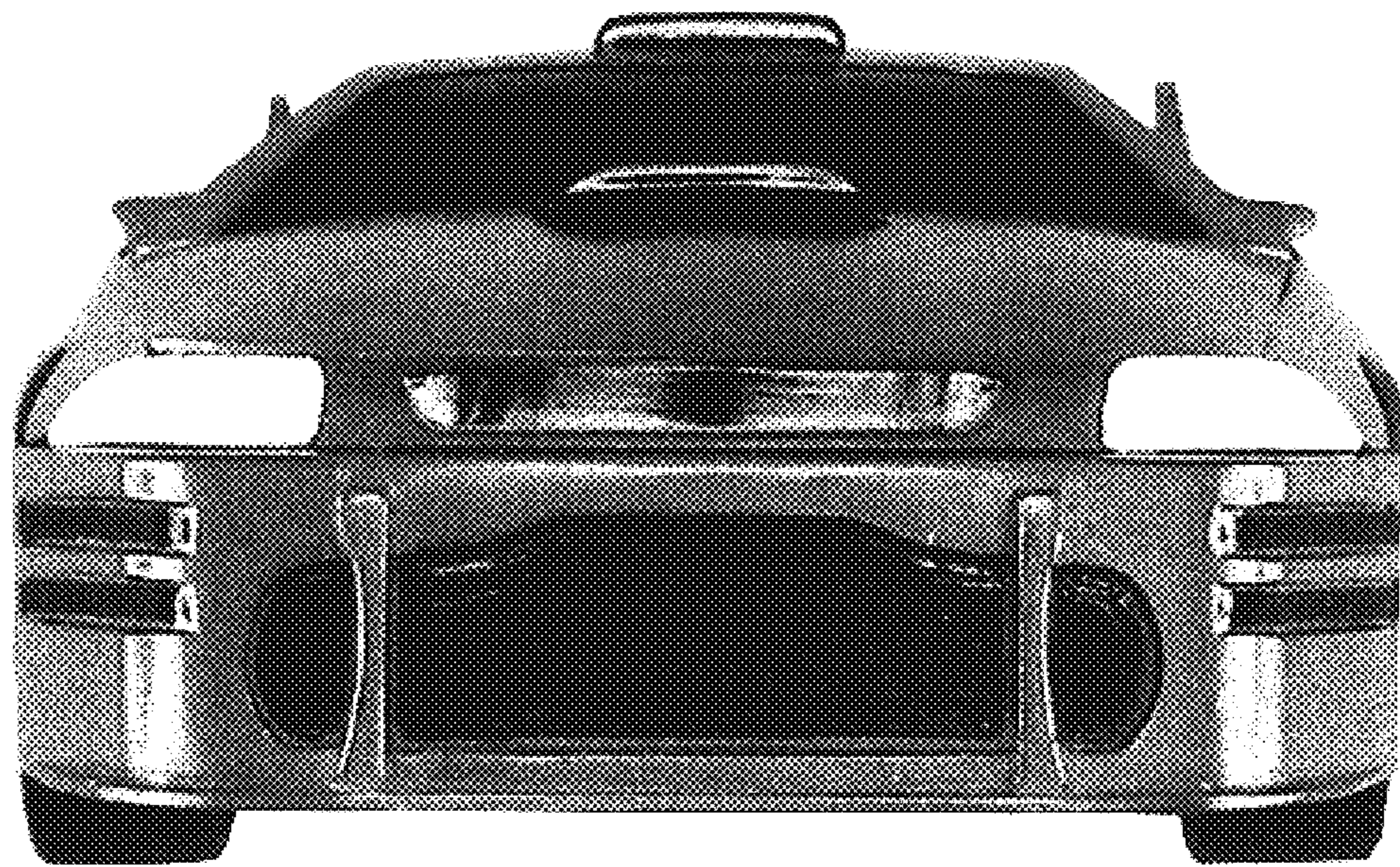


FIG. 2

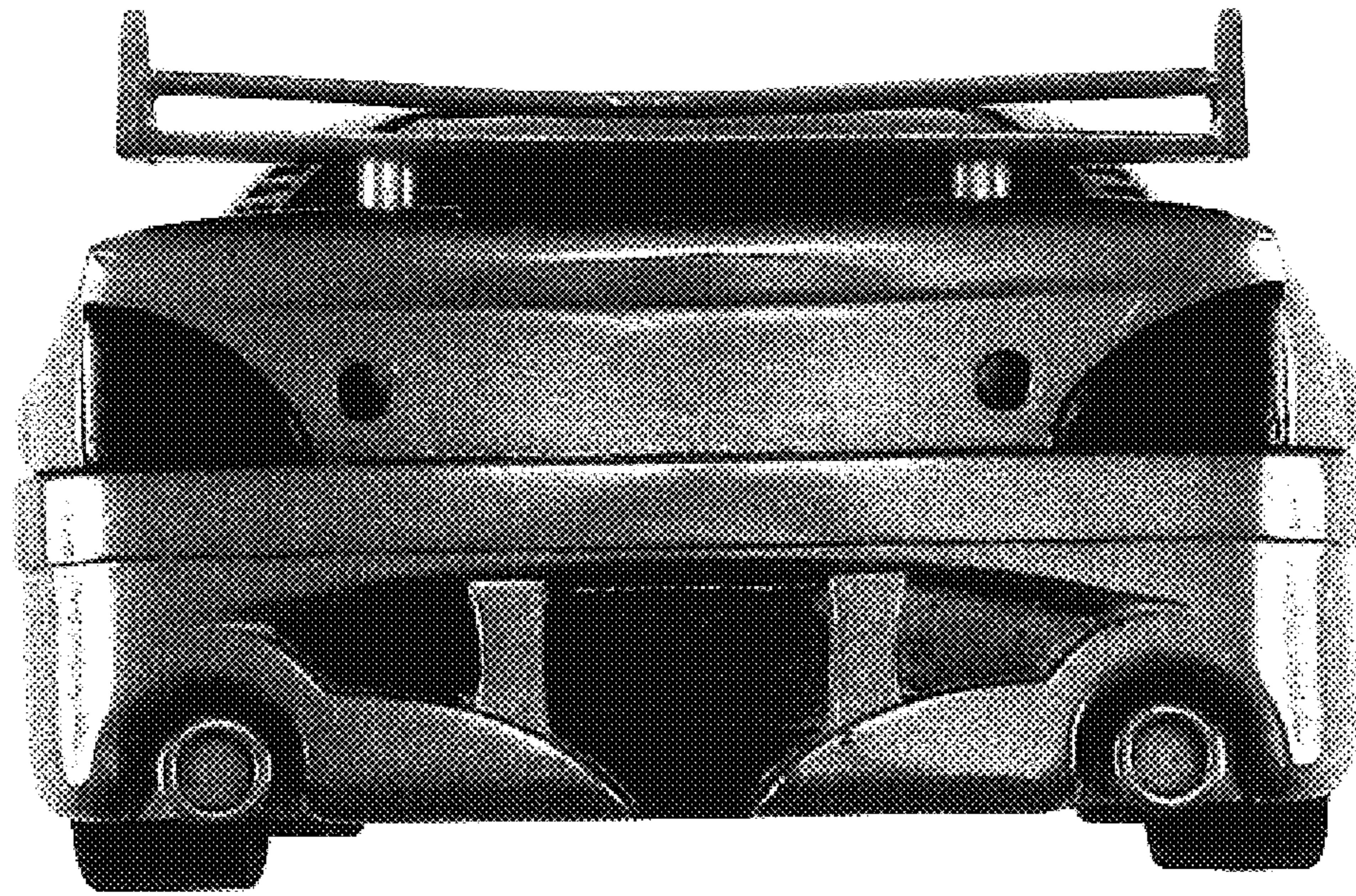


FIG. 3

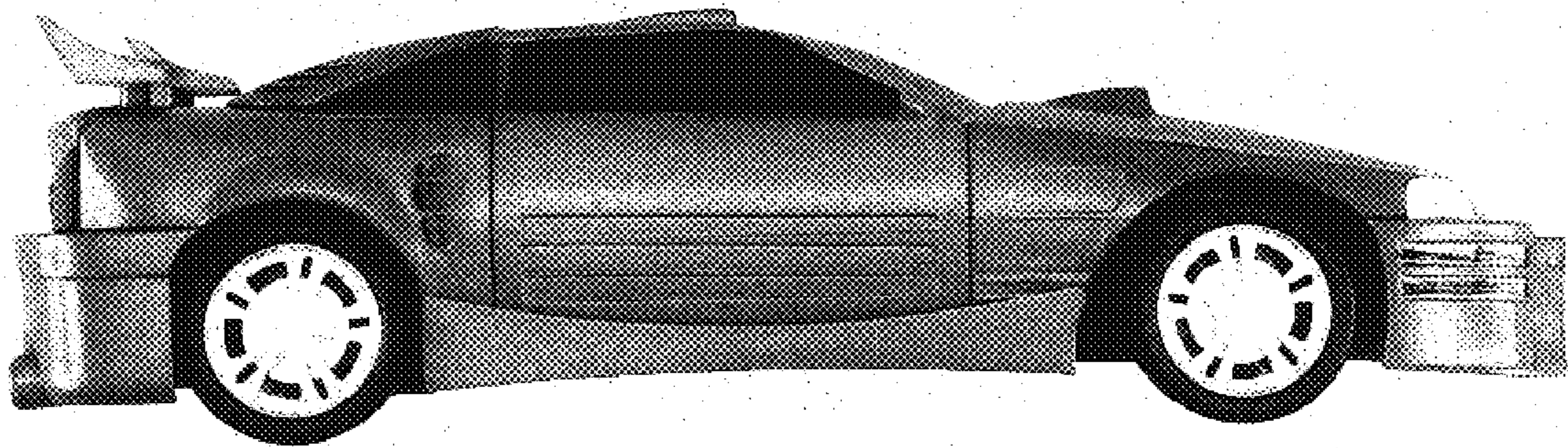


FIG. 4

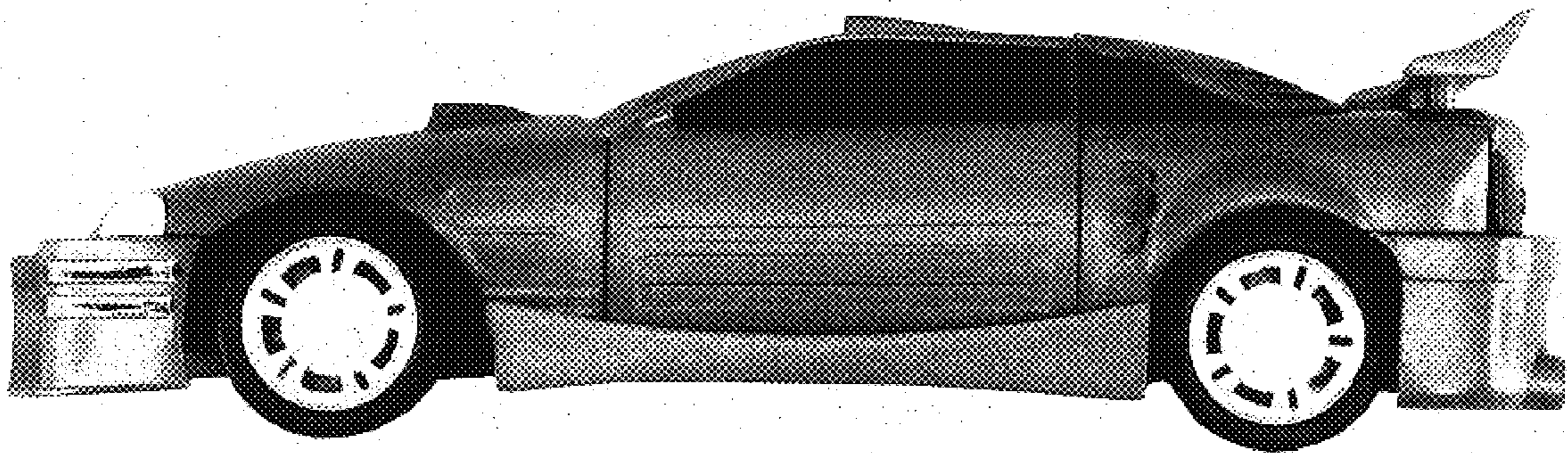


FIG. 5

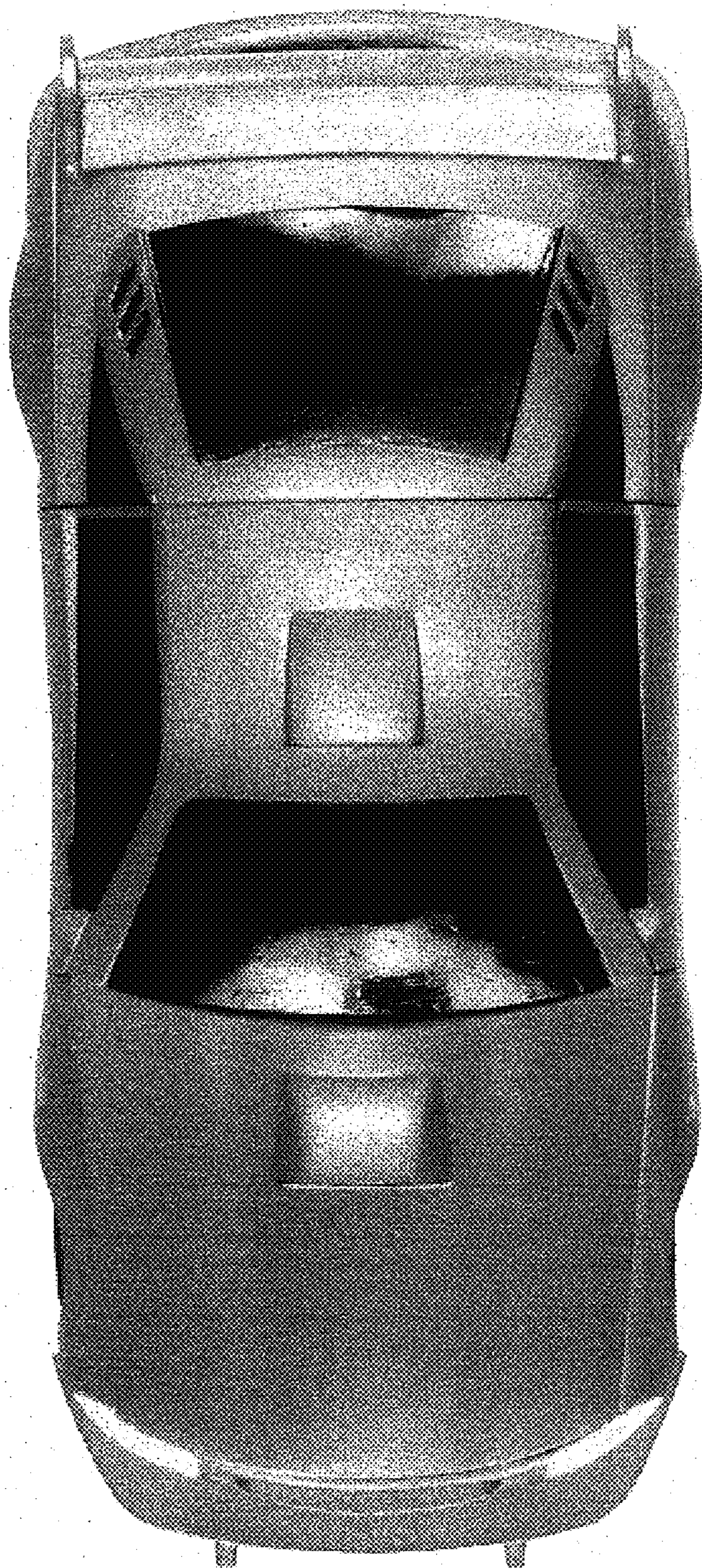


FIG. 6

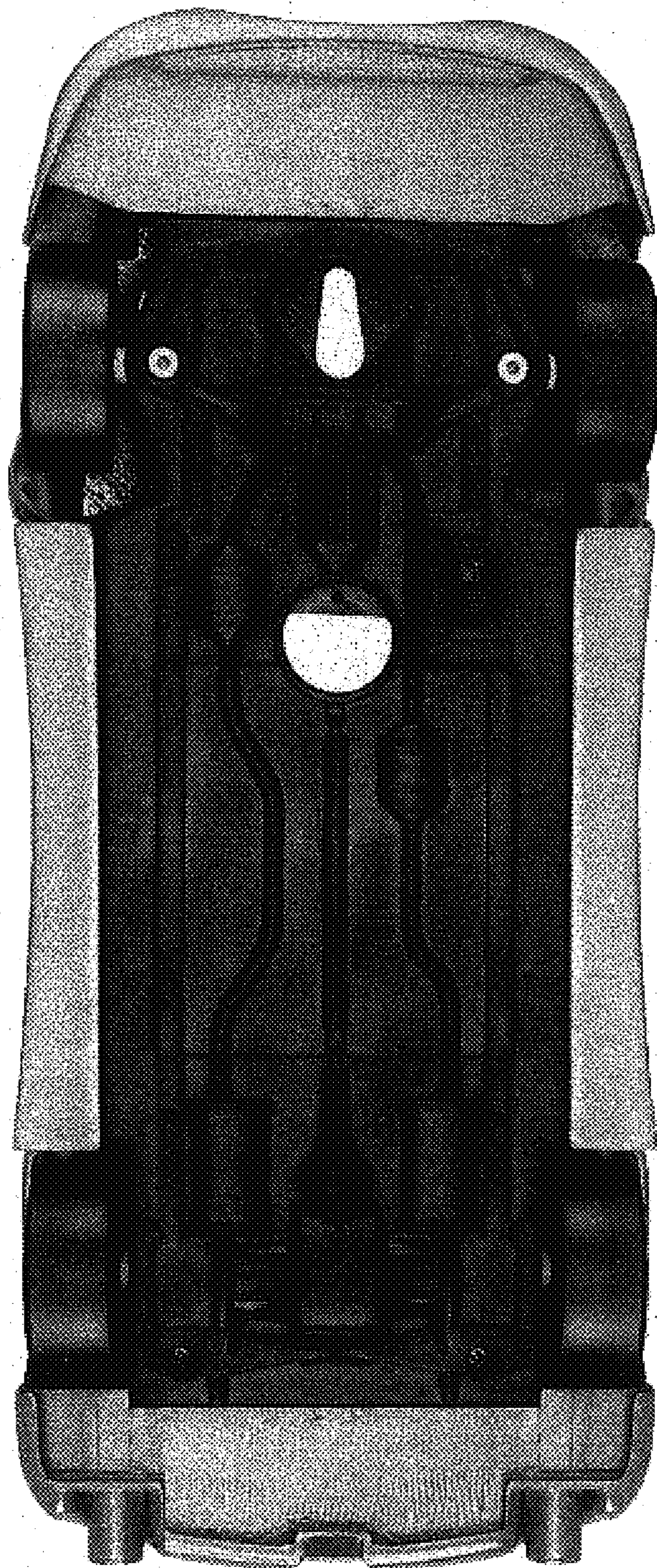


FIG. 7

