



US00D535703S

(12) **United States Design Patent**
Creech

(10) **Patent No.:** **US D535,703 S**

(45) **Date of Patent:** **** Jan. 23, 2007**

(54) **PORTABLE GAME ASSEMBLY**

(74) *Attorney, Agent, or Firm*—Perry Hoffman

(75) Inventor: **William N. A. Creech**, Springfield, MA
(US)

(57) **CLAIM**

The ornamental design for a portable game assembly, as shown and described.

(73) Assignee: **Hasbro, Inc.**, Pawtucket, RI (US)

(**) Term: **14 Years**

DESCRIPTION

(21) Appl. No.: **29/242,364**

FIG. 1 is a perspective view of the portable game assembly of the instant invention in a closed position;

(22) Filed: **Nov. 9, 2005**

FIG. 2 is a perspective view thereof in an open position;

(51) **LOC (8) Cl.** **21-01**

FIG. 3 is a top plan view thereof in the open position;

(52) **U.S. Cl.** **D21/335; D21/337; D21/342**

FIG. 4 is a bottom plan view thereof in the open position;

(58) **Field of Classification Search** **D21/334–368;**
273/236–285

FIG. 5 is a left side elevational view thereof in the open position;

See application file for complete search history.

FIG. 6 is a right side elevational view thereof in the open position;

(56) **References Cited**

U.S. PATENT DOCUMENTS

4,280,704	A	*	7/1981	Massimei et al.	273/258
5,154,428	A	*	10/1992	Woolhouse	273/265
D450,351	S	*	11/2001	Fong	D21/335
D467,980	S	*	12/2002	Creech	D21/335
D499,772	S		12/2004	Creech		
D500,095	S		12/2004	Creech		

FIG. 7 is a rear elevational view thereof in the open position; and,

FIG. 8 is a front elevational view thereof in the open position.

OTHER PUBLICATIONS

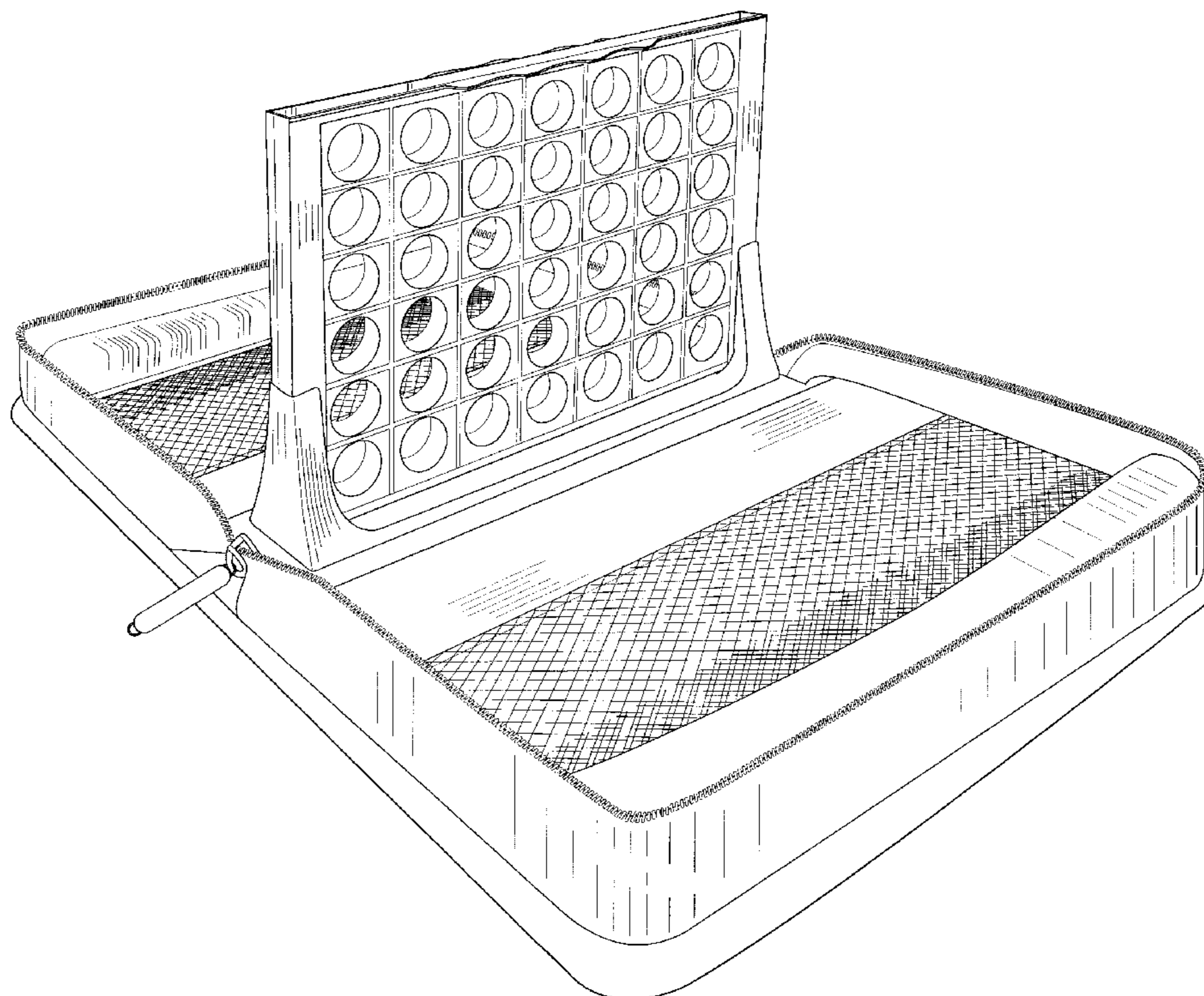
1977 Milton Bradley Catalog. p. 14, "Connect Four" game.*

The portions shown in broken lines and indicia are for illustrative purposes only; and form no part of the claimed design.

* cited by examiner

Primary Examiner—Sandra L. Morris

1 Claim, 5 Drawing Sheets



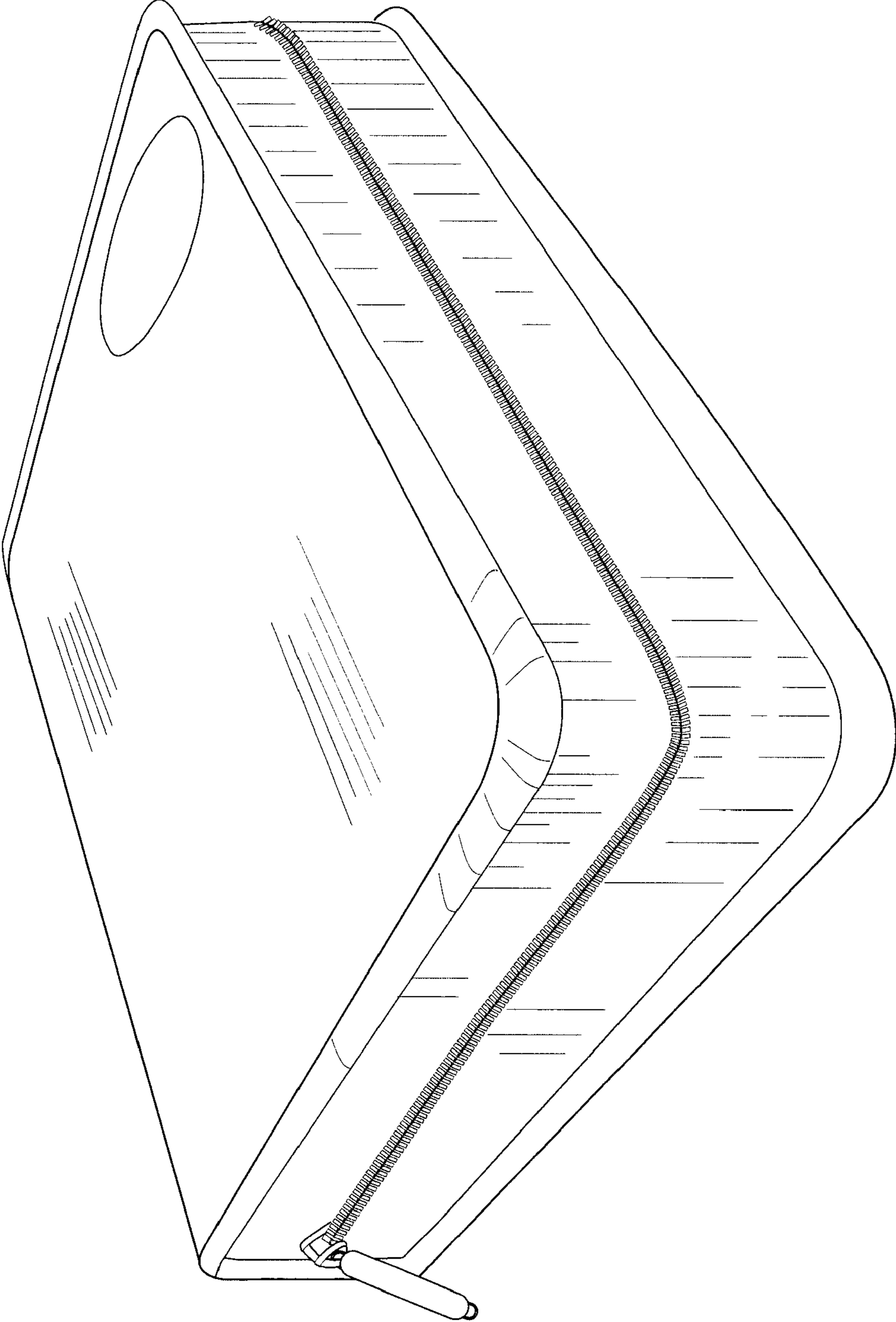


Fig. 1

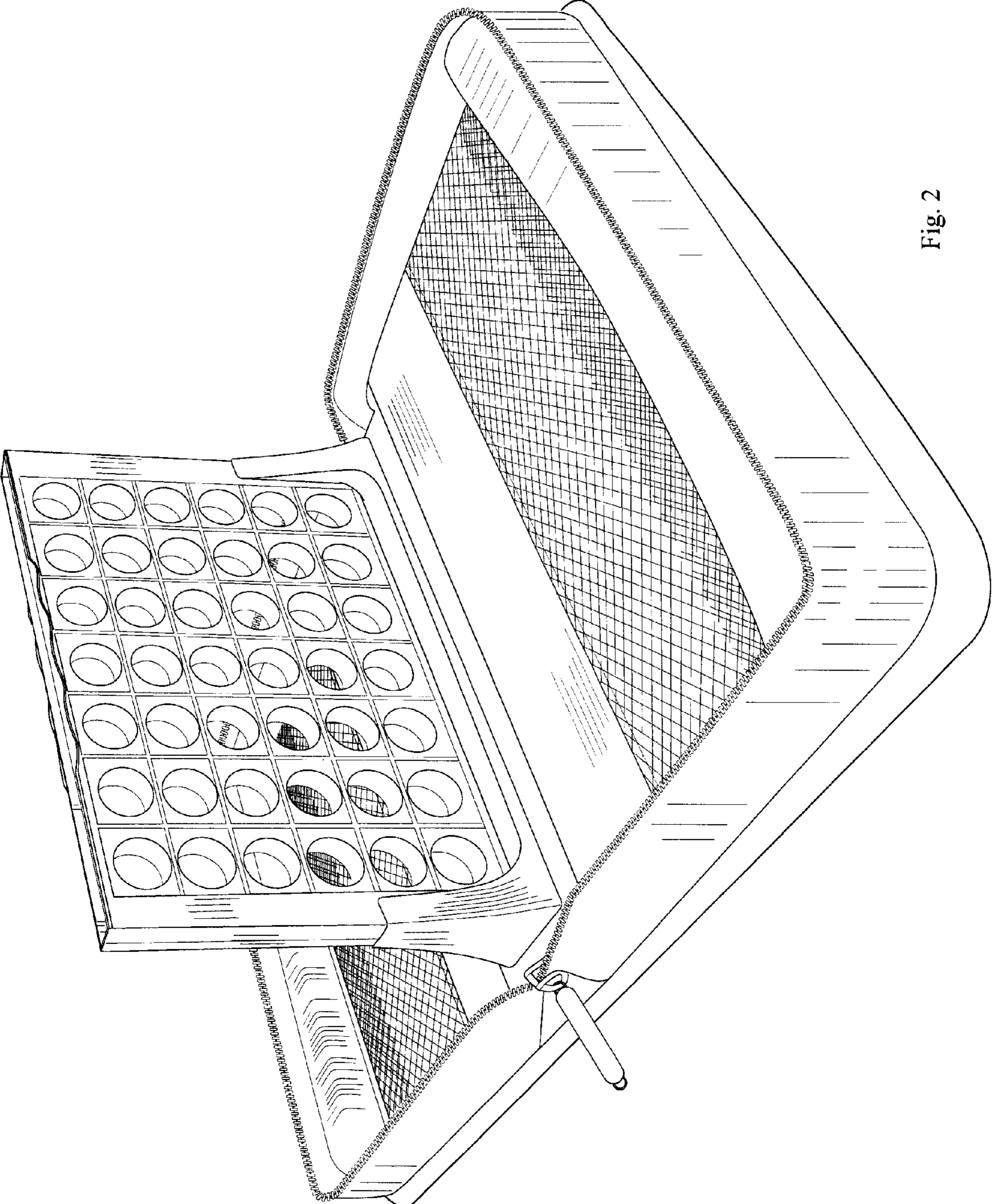


Fig. 2

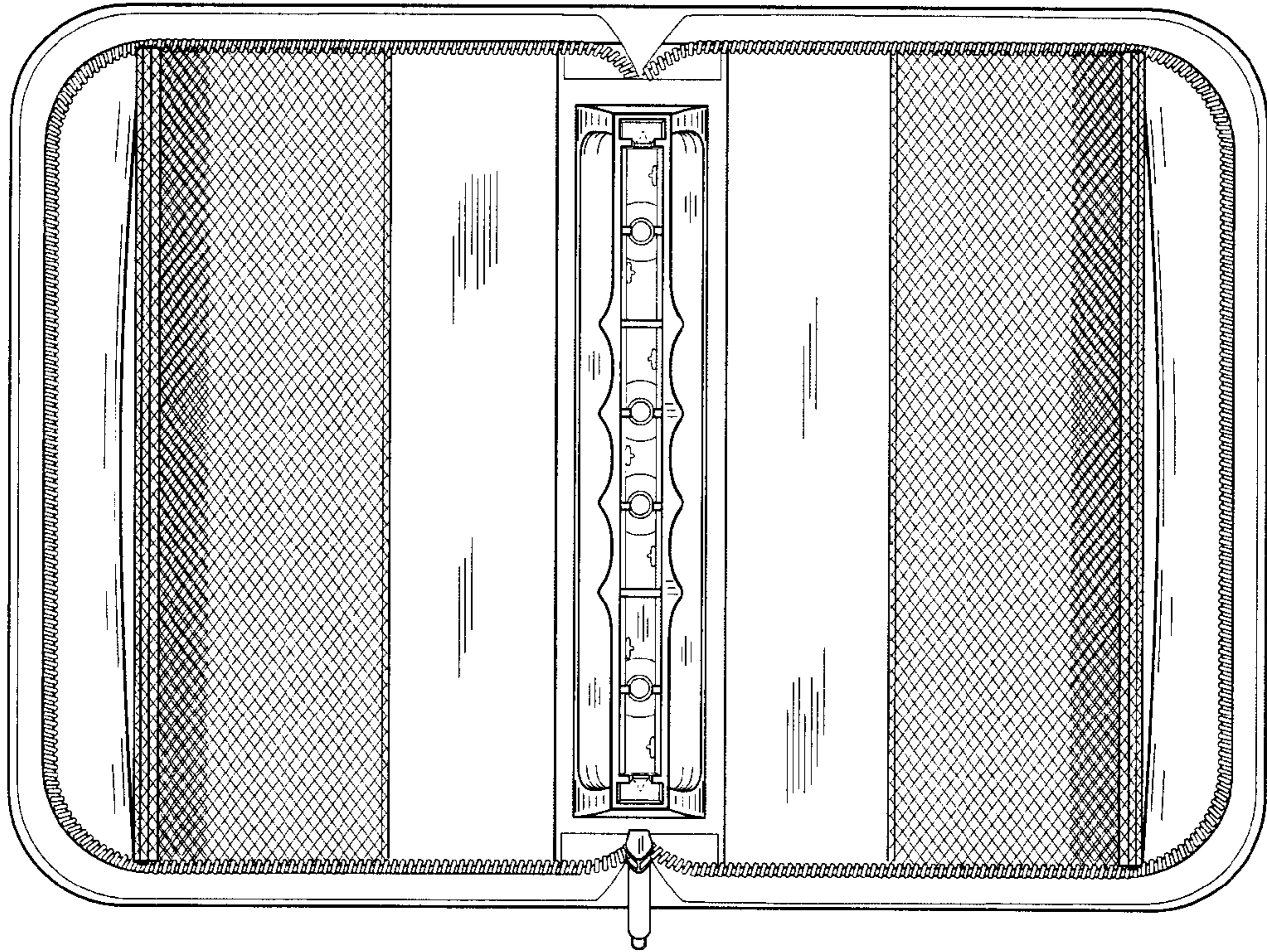


Fig. 3

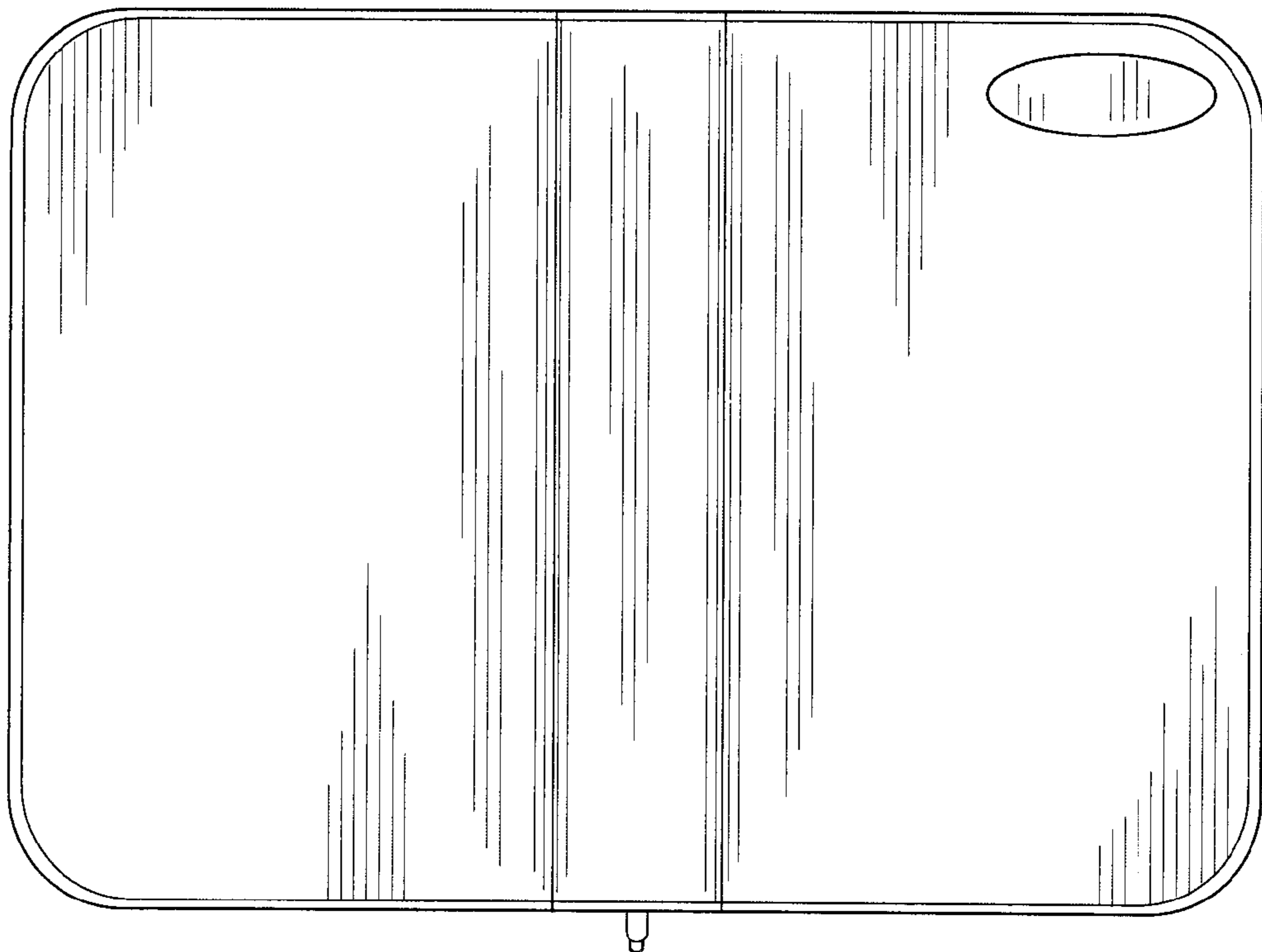


Fig. 4

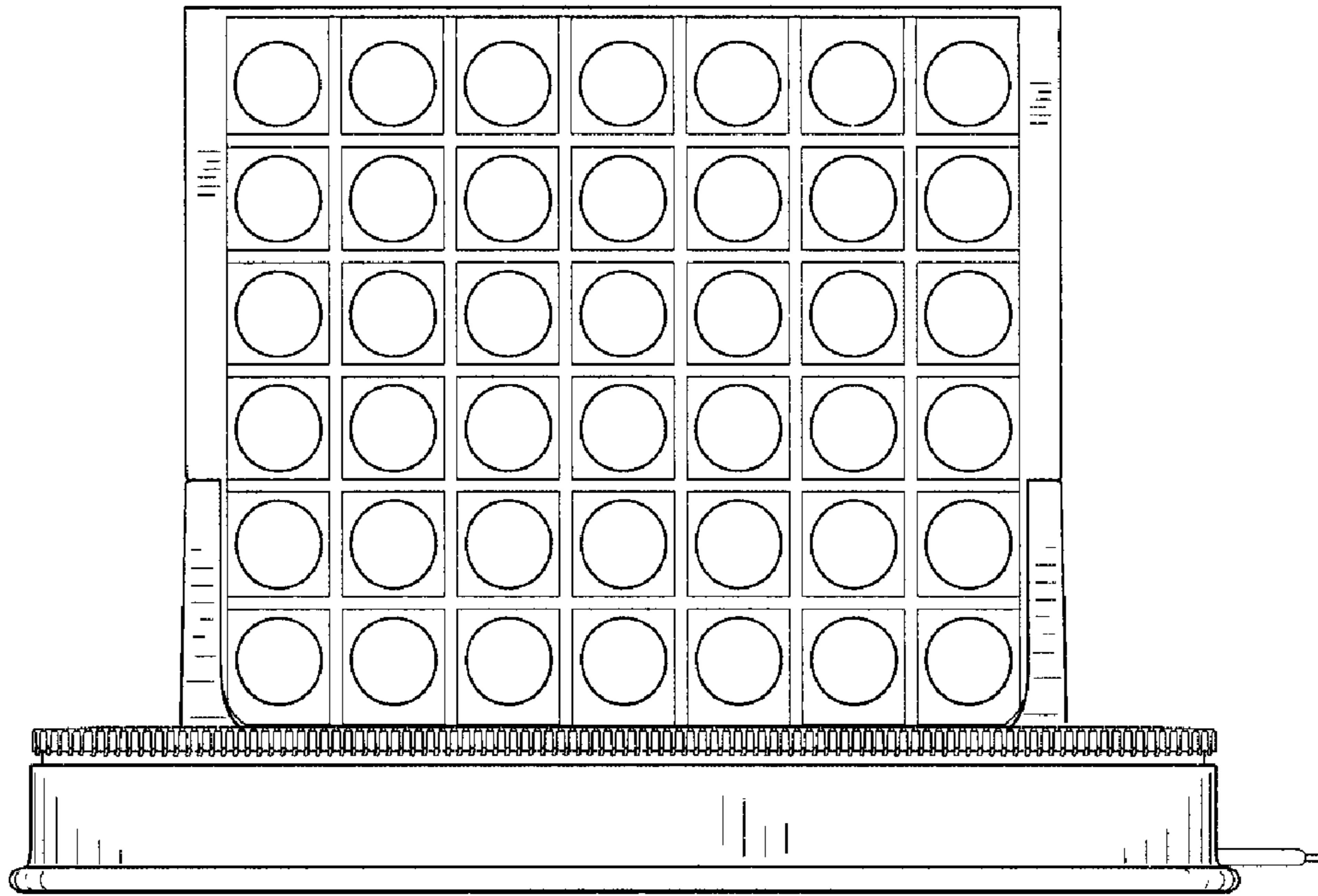


Fig. 5

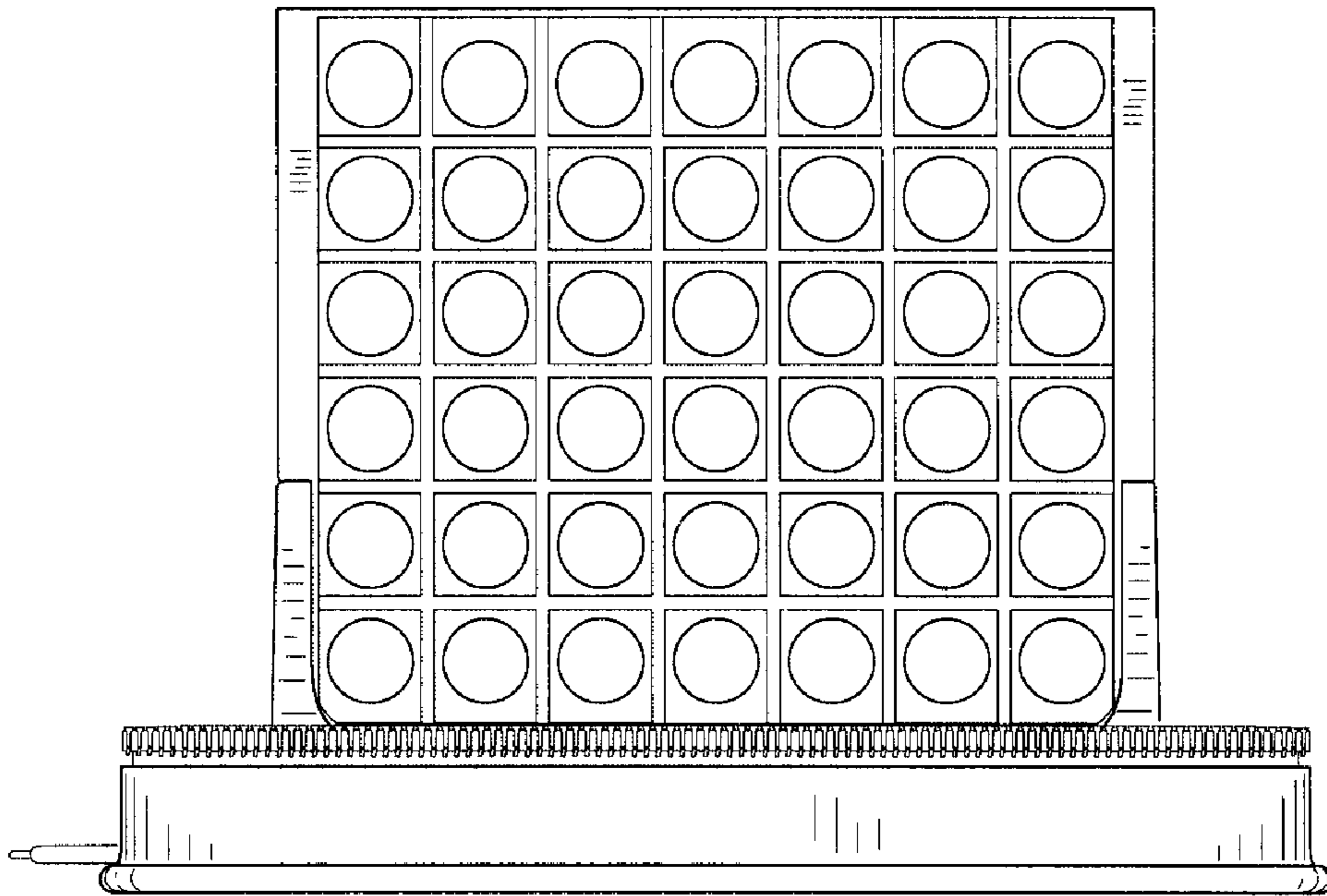


Fig. 6

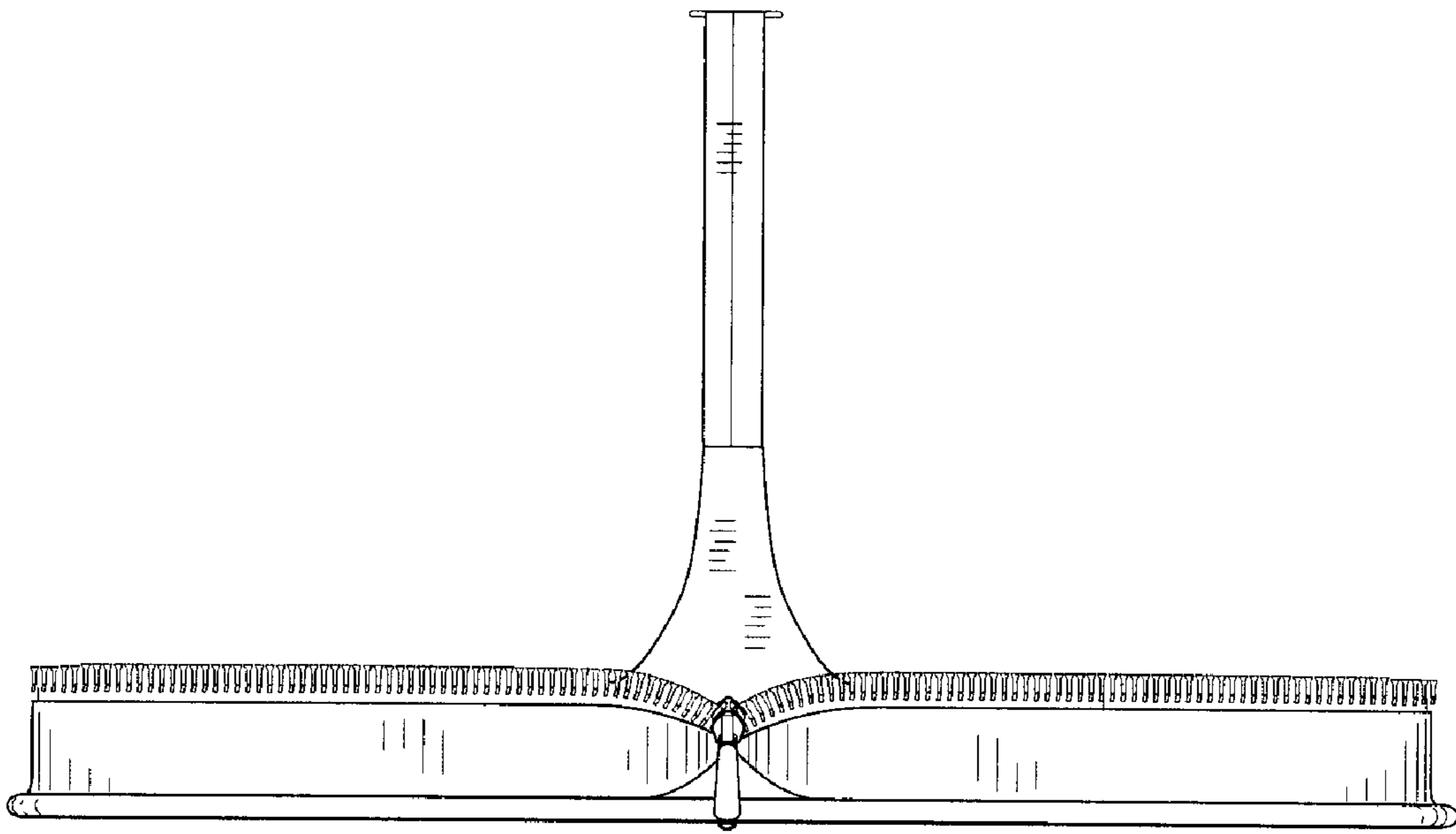


Fig. 7

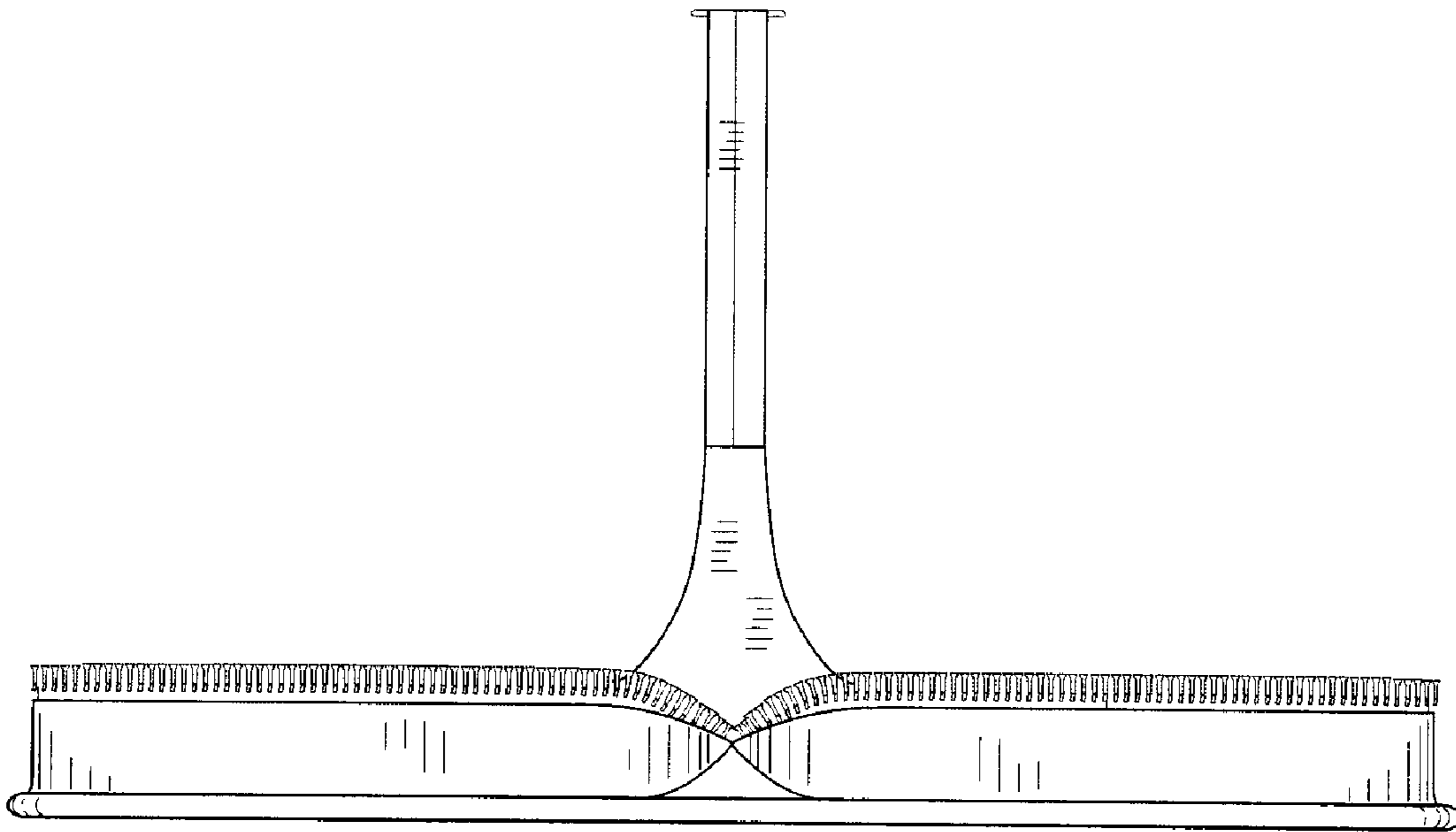


Fig. 8