



US00D535702S

(12) **United States Design Patent**
Crasnick

(10) **Patent No.:** **US D535,702 S**

(45) **Date of Patent:** **** Jan. 23, 2007**

(54) **BASKETBALL GAME**

(76) Inventor: **Richard M. Crasnick**, 2675 Skypark
Dr. Suite 103, Torrance, CA (US) 90505

(**) Term: **14 Years**

(21) Appl. No.: **29/240,825**

(22) Filed: **Oct. 19, 2005**

(51) **LOC (8) Cl.** **21-01**

(52) **U.S. Cl.** **D21/318**

(58) **Field of Classification Search** D21/330-303;
273/108, 108.1, 118 R, 127 R, 398, 402,
273/407, 317, 317.3

See application file for complete search history.

(56) **References Cited**

U.S. PATENT DOCUMENTS

3,074,720	A	*	1/1963	Carver et al.	273/317.3
D214,066	S	*	5/1969	Benigno	D21/303
4,480,834	A	*	11/1984	Minami	273/317.3
D318,883	S	*	8/1991	Pazienza	D21/303
5,074,552	A	*	12/1991	Gomez et al.	473/433
5,125,651	A	*	6/1992	Keeling et al.	473/448

5,150,898	A	*	9/1992	Hochberg et al.	273/317.3
5,288,071	A	*	2/1994	Solomon	273/317.3
5,690,330	A	*	11/1997	Ozawa	273/108.56
5,709,385	A	*	1/1998	Fitzpatrick et al.	273/317.3

* cited by examiner

Primary Examiner—Prabhakar Deshmukh

(74) *Attorney, Agent, or Firm*—Sanford Astor; Lewis
Brisbois Bisgard & Smith LLP

(57) **CLAIM**

The ornamental design for a basketball game, as shown and described.

DESCRIPTION

FIG. 1 is a perspective view of the basketball game showing my new design;

FIG. 2 is a front elevational view thereof;

FIG. 3 is a rear elevational view thereof;

FIG. 4 is a top plan view thereof;

FIG. 5 is a bottom plan view thereof; and,

FIG. 6 is a right side elevational view thereof, the left side being a mirror image.

1 Claim, 6 Drawing Sheets

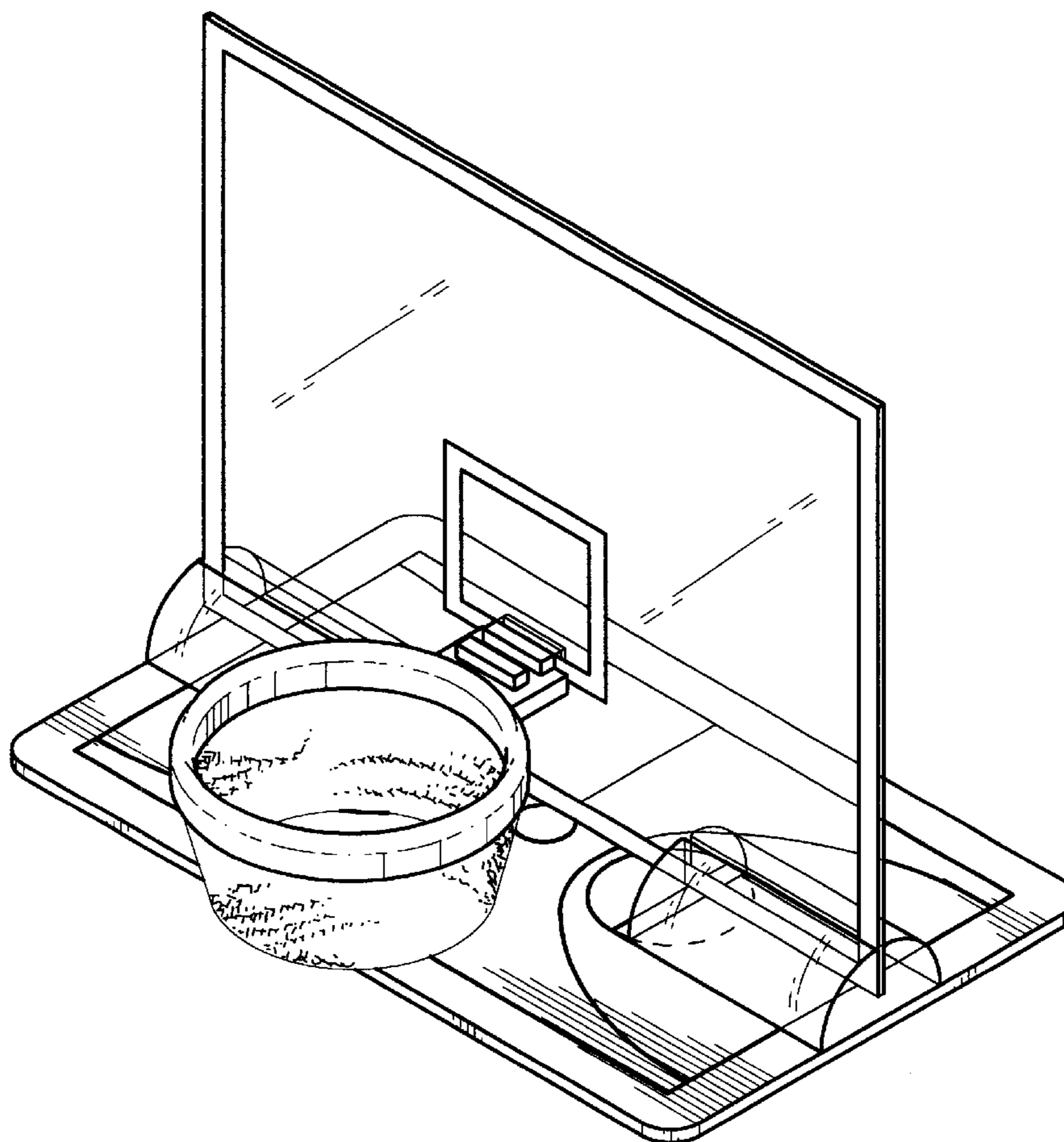


FIG. 1

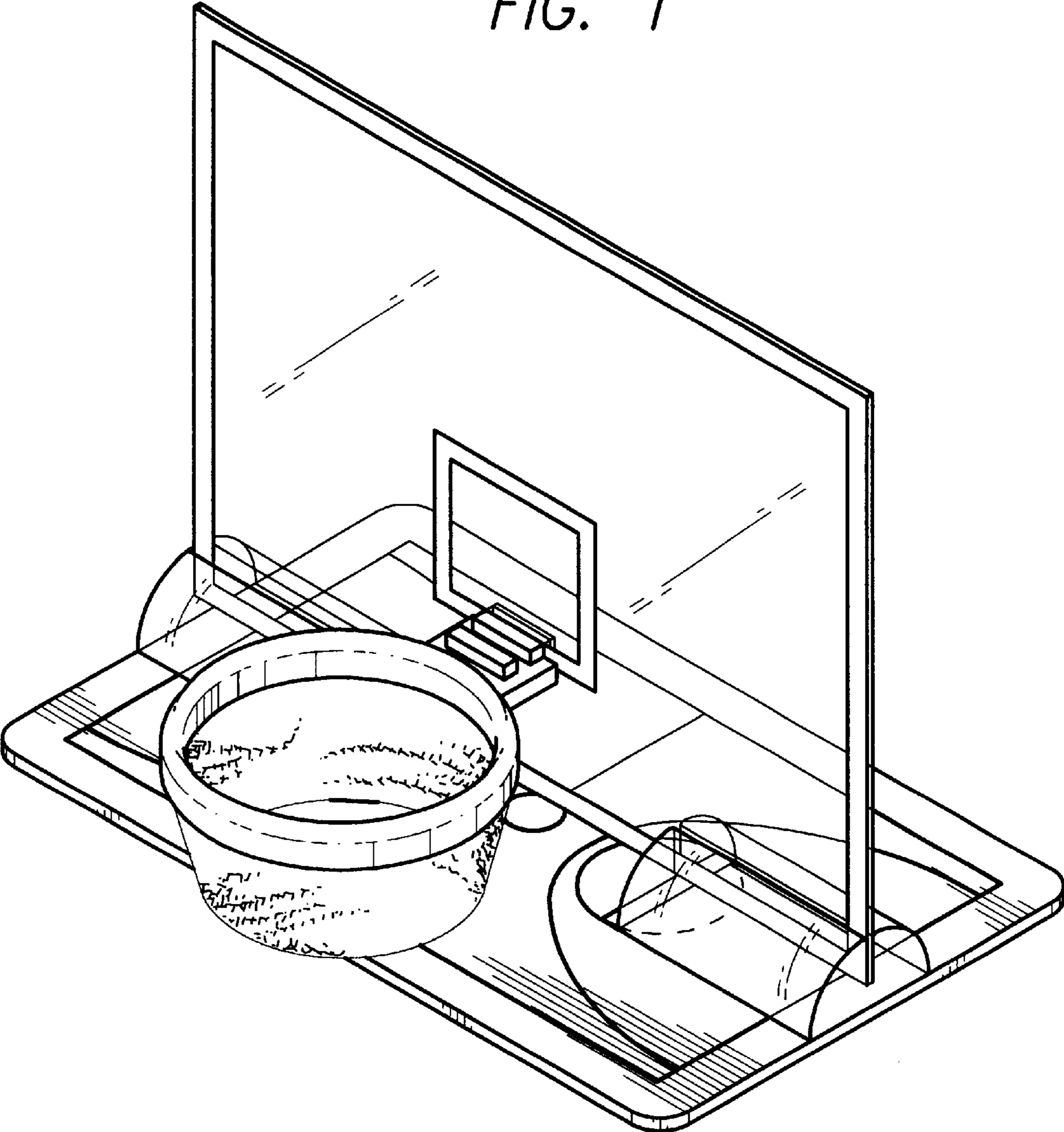


FIG. 2

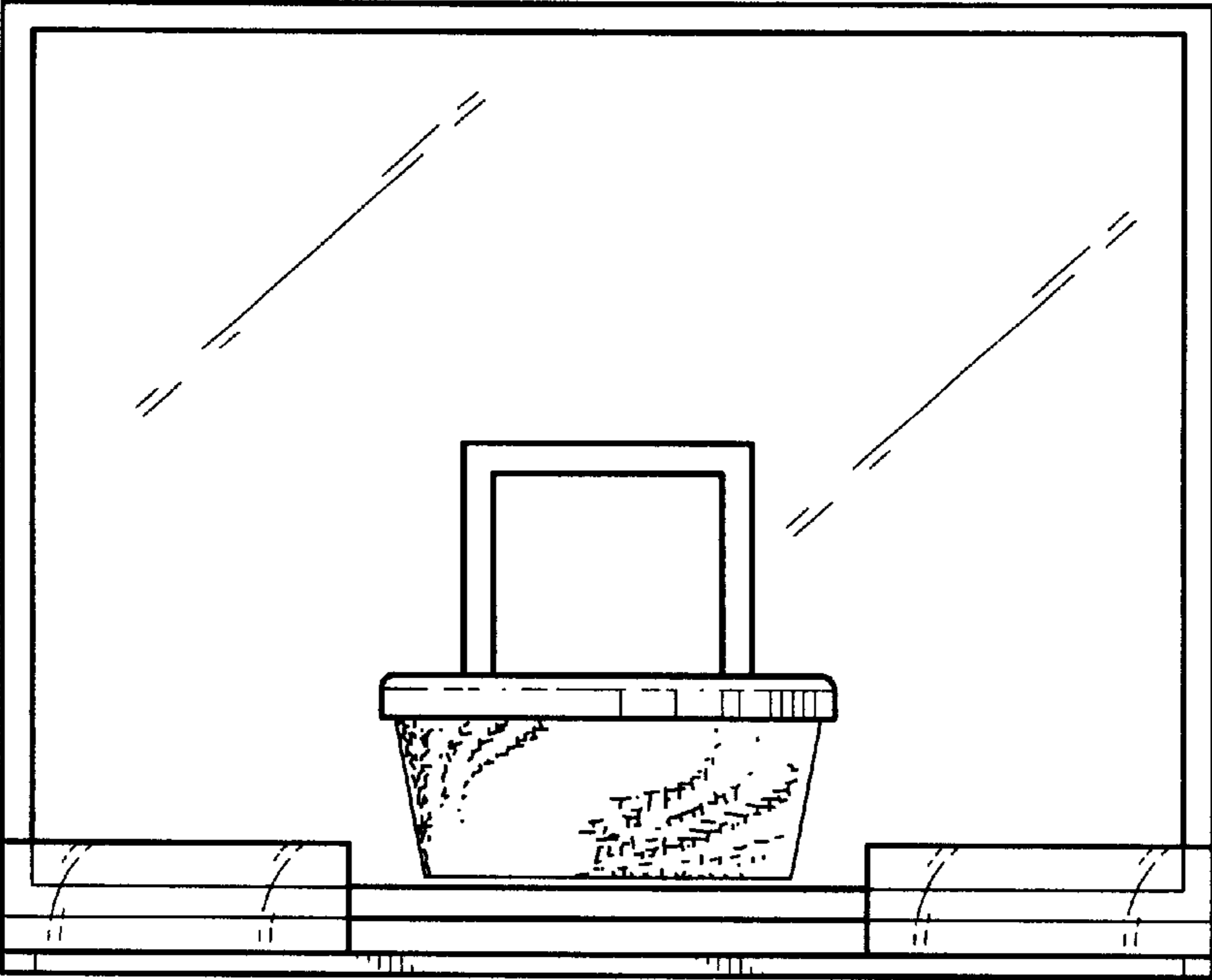


FIG. 3

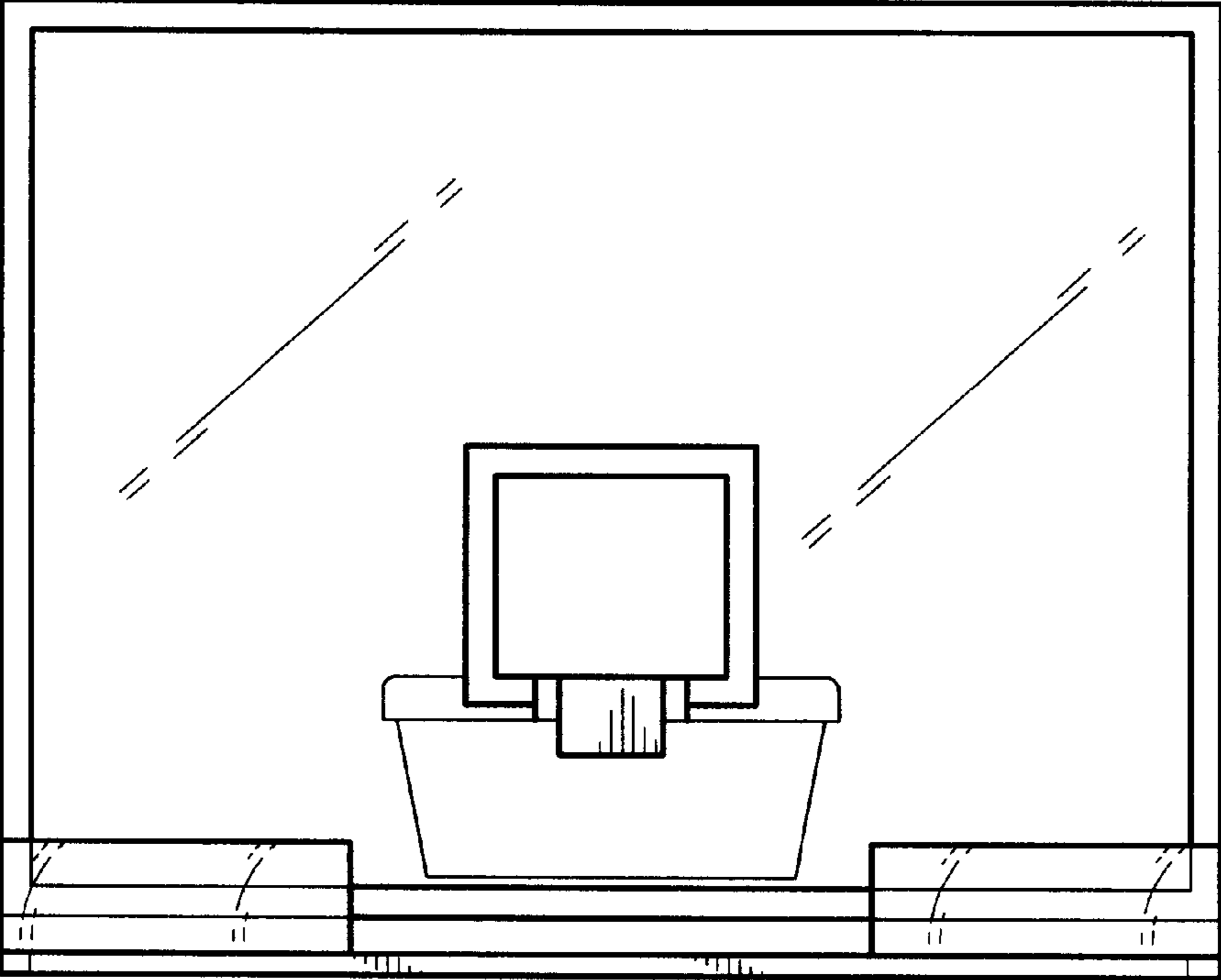


FIG. 4

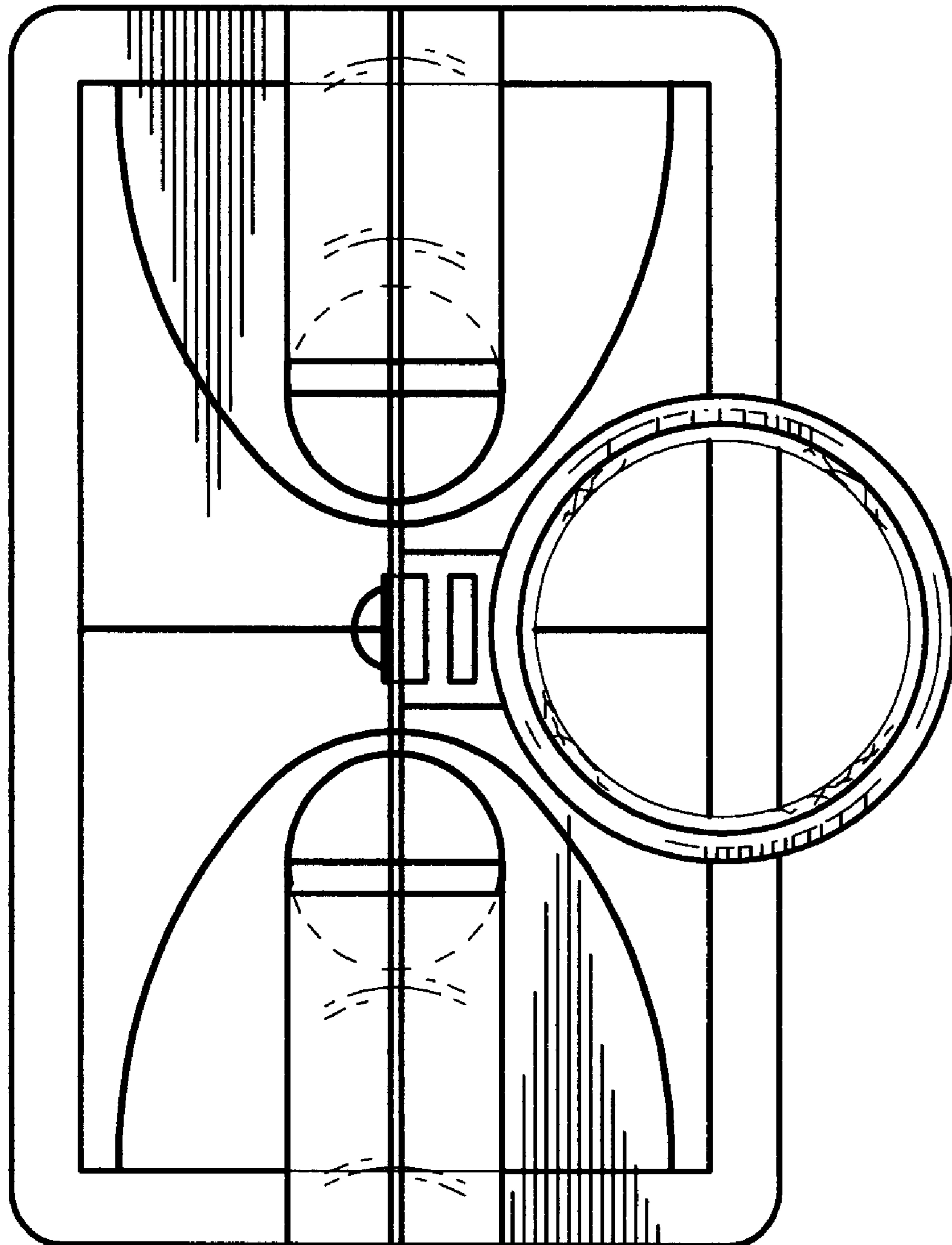


FIG. 5

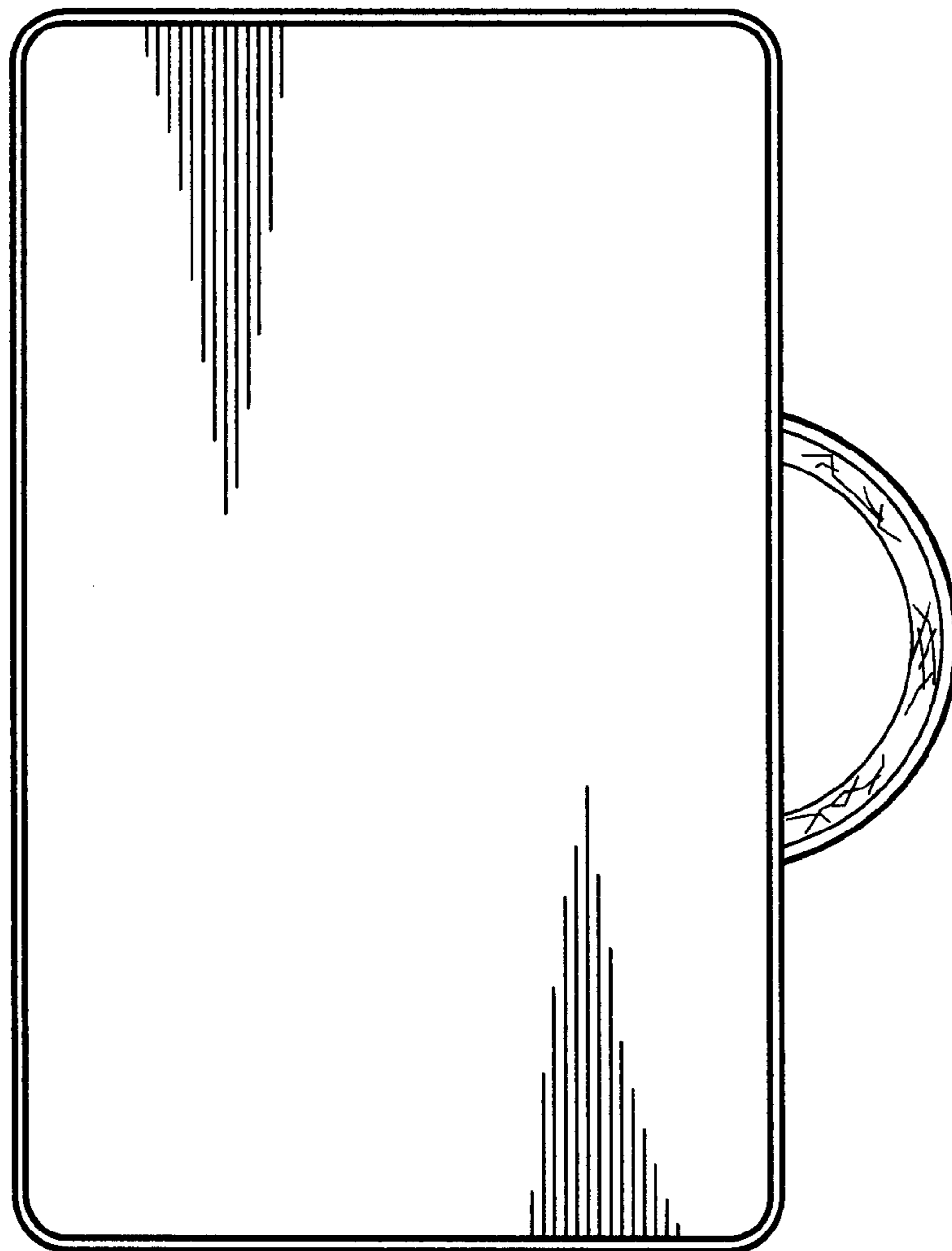


FIG. 6

