



US00D535700S

(12) **United States Design Patent**
Huenefeld

(10) **Patent No.:** **US D535,700 S**

(45) **Date of Patent:** **** *Jan. 23, 2007**

(54) **FOLDED YARD SIGN**

(75) Inventor: **Braden R. Huenefeld**, Cincinnati, OH (US)

(73) Assignee: **Dee Sign Co.**, West Chester, OH (US)

(*) Notice: This patent is subject to a terminal disclaimer.

(**) Term: **14 Years**

(21) Appl. No.: **29/223,897**

(22) Filed: **Feb. 22, 2005**

(51) **LOC (8) Cl.** **20-03**

(52) **U.S. Cl.** **D20/10; D20/29**

(58) **Field of Classification Search** D20/10, D20/11, 13, 19, 22, 27, 29, 31, 39, 40, 41, D20/42, 43, 44, 99; D6/470; D11/95, 116; D12/191; D25/16; 40/124.13, 312, 316, 358, 40/368, 369, 584, 591, 593, 596, 607.09, 40/610, 611.12, 616, 617, 624, 626, 628, 40/630, 765; 116/63 P, 63 T; 296/97.7, 97.8
See application file for complete search history.

(56) **References Cited**

U.S. PATENT DOCUMENTS

451,282 A *	4/1891	St. John et al.	40/368
1,182,303 A *	5/1916	Nichols	40/368
1,359,492 A	11/1920	Demuth	
1,497,945 A	6/1924	Sayre	

1,551,946 A *	9/1925	Flanagan	40/368
D74,661 S *	3/1928	Browne	D20/39
1,667,091 A *	4/1928	Wolstenholme	40/368
D78,577 S *	5/1929	Kerr	D20/39
2,454,648 A	11/1948	Green	
2,596,064 A	5/1952	Bishop et al.	
2,872,750 A	2/1959	Holcomb	
D303,814 S *	10/1989	Beck	D20/39
4,885,860 A	12/1989	Huenefeld	40/606
4,916,840 A	4/1990	Getz	40/605
5,148,618 A	9/1992	Brewster	40/626
D399,261 S *	10/1998	Humphrey	D20/41
D443,307 S *	6/2001	Nucci et al.	D20/10

* cited by examiner

Primary Examiner—Robert M. Spear

(74) *Attorney, Agent, or Firm*—Wood, Herron & Evans, L.L.P.

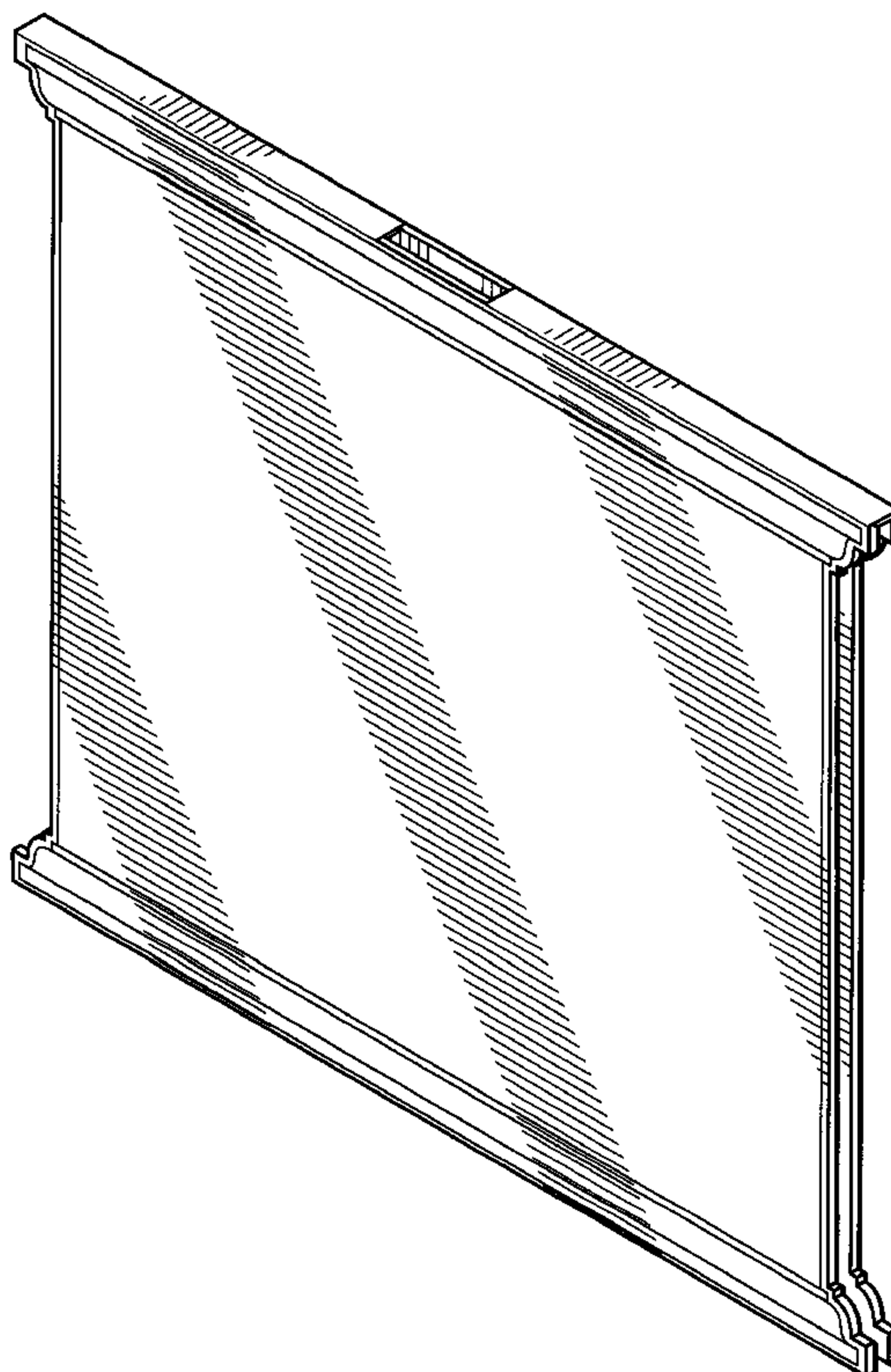
(57) **CLAIM**

The ornamental design for a folded yard sign, as shown and described.

DESCRIPTION

FIG. 1 is a perspective view;
FIG. 2 is a front view;
The rear view is identical to the FIG. 2 front view;
FIG. 3 is the right side view;
The left side view is identical to the FIG. 3 right side view;
FIG. 4 is the top view; and,
FIG. 5 is the bottom view.

1 Claim, 3 Drawing Sheets



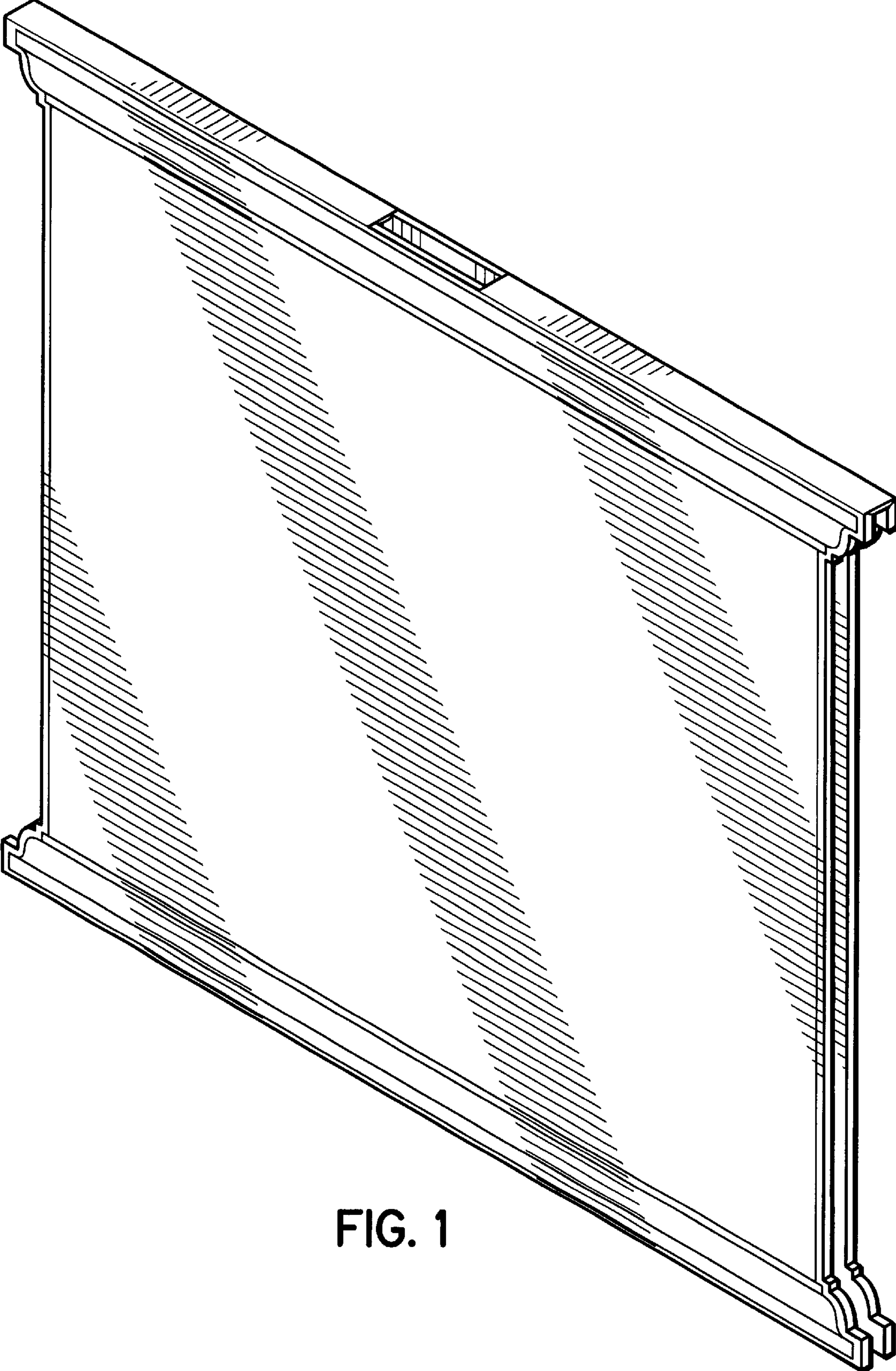


FIG. 1

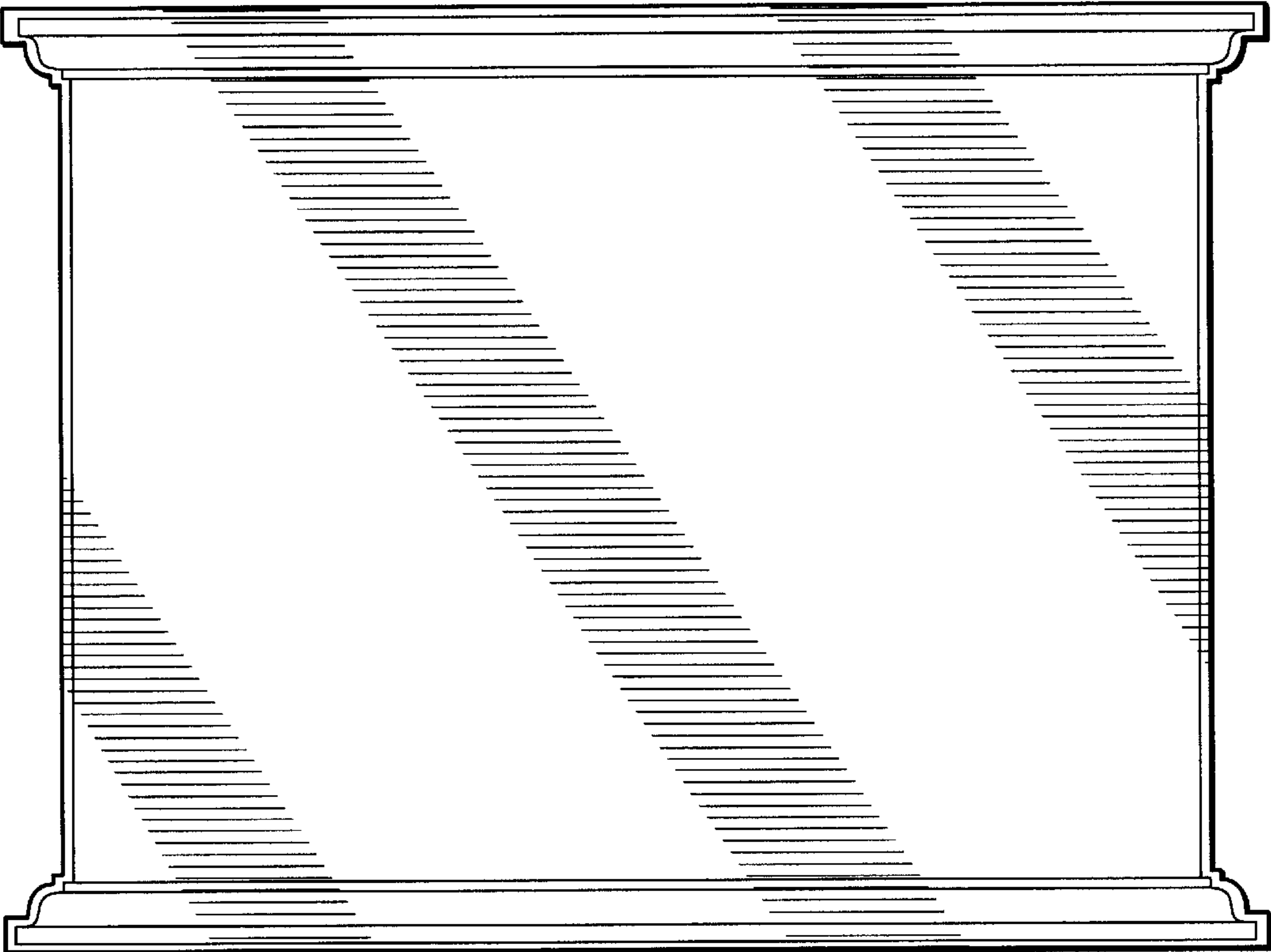


FIG. 2



FIG. 4



FIG. 5



FIG. 3