



US00D535697S

(12) **United States Design Patent**
Cetera

(10) **Patent No.:** **US D535,697 S**

(45) **Date of Patent:** **** Jan. 23, 2007**

(54) **PEN**

(75) **Inventor:** **Carl Cetera**, Tenafly, NJ (US)

(73) **Assignee:** **Cotapaxi Custom Design and Manufacturing, LLC**, Carlstadt, NJ (US)

(**) **Term:** **14 Years**

(21) **Appl. No.:** **29/246,783**

(22) **Filed:** **May 9, 2006**

Related U.S. Application Data

(62) Division of application No. 29/215,099, filed on Oct. 12, 2004, now Pat. No. Des. 526,020.

(51) **LOC (8) Cl.** **19-06**

(52) **U.S. Cl.** **D19/51**

(58) **Field of Classification Search** D19/36,
D19/37, 41-51, 54-57; 24/11 R, 11 F, 11 P;
401/52, 99, 100, 104, 105, 106, 107, 108,
401/109, 192, 195, 243-247

See application file for complete search history.

(56) **References Cited**

U.S. PATENT DOCUMENTS

373,677 A * 11/1887 Mitchell 401/194

614,630 A	*	11/1898	Stewart	401/247
1,427,985 A	*	9/1922	Vasselli	401/85
D198,959 S	*	8/1964	Di Fulvio et al.	D10/72
D406,165 S	*	2/1999	Nadel	D19/36
D417,891 S	*	12/1999	Izushima	D19/48
6,244,772 B1	*	6/2001	Ruchonnet	401/195
D483,065 S	*	12/2003	Cetera	D19/36
D497,180 S	*	10/2004	Cetera	D19/36
2005/0207822 A1	*	9/2005	Wang	401/193

* cited by examiner

Primary Examiner—Elizabeth A. Albert

(74) *Attorney, Agent, or Firm*—The Soni Law Firm

(57) **CLAIM**

The ornamental design for a pen, as shown and described.

DESCRIPTION

FIG. 1 is a top front perspective view of the pen showing my new design;

FIG. 2 is a front elevational view thereof;

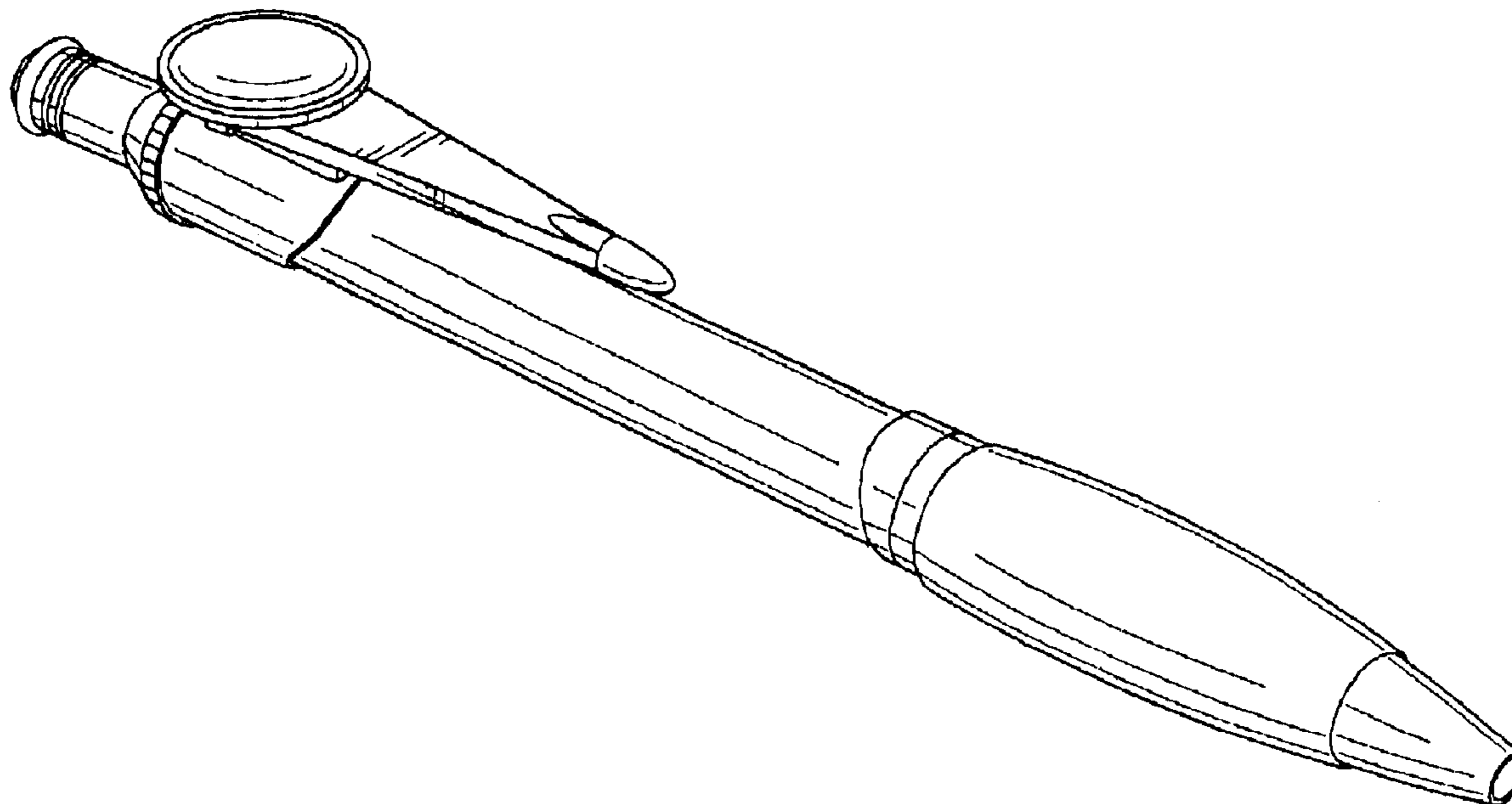
FIG. 3 is a side elevational view thereof;

FIG. 4 is a back elevational view thereof;

FIG. 5 is a bottom plan view thereof; and,

FIG. 6 is a top plan view thereof.

1 Claim, 1 Drawing Sheet



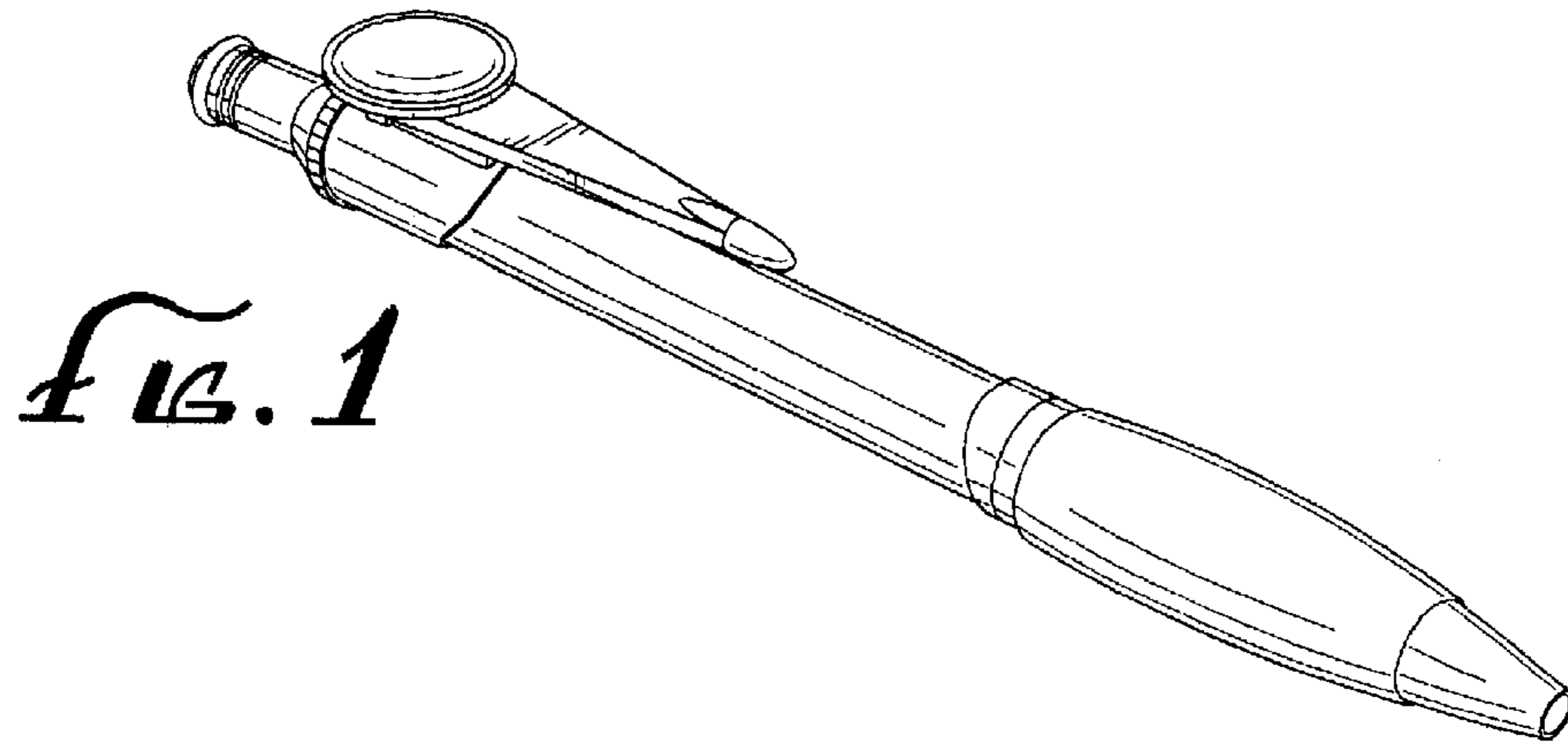


FIG. 1

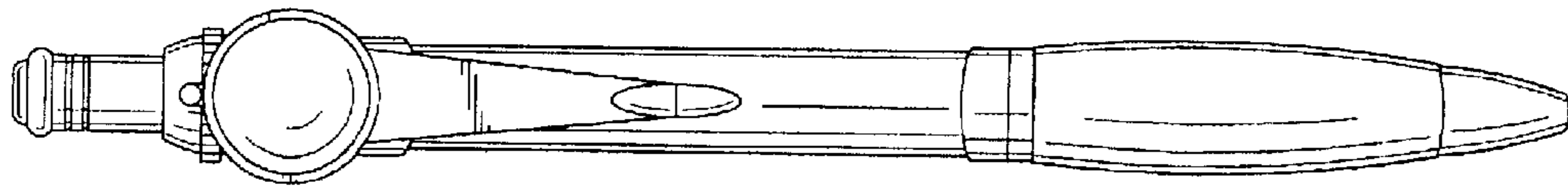


FIG. 2

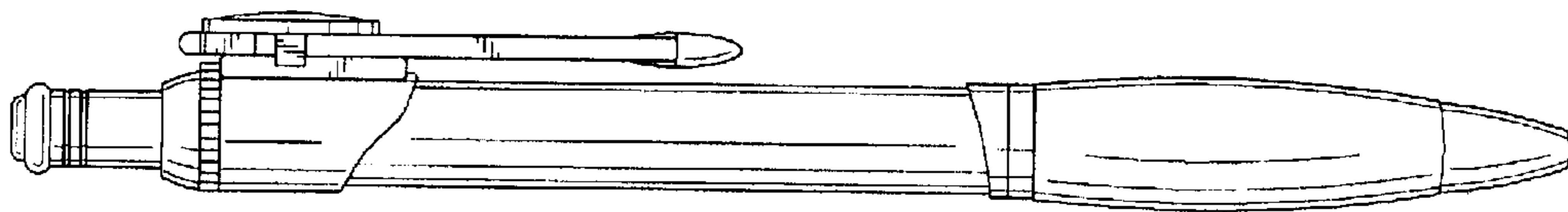


FIG. 3

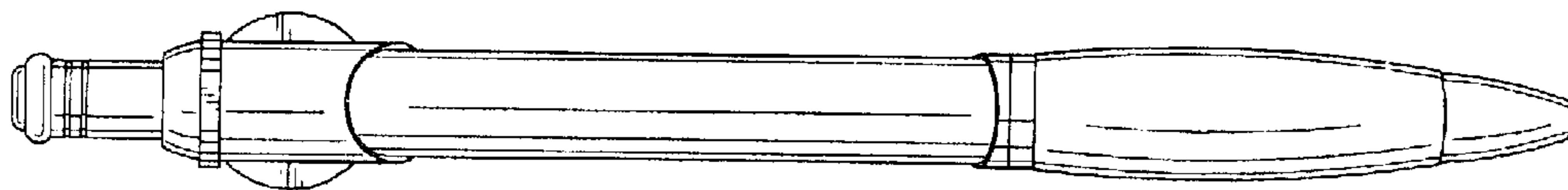


FIG. 4

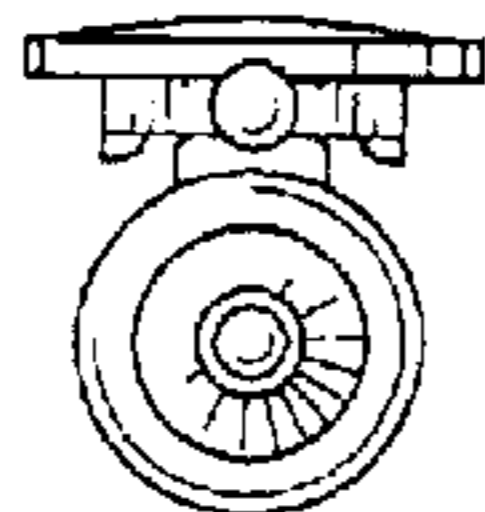


FIG. 5

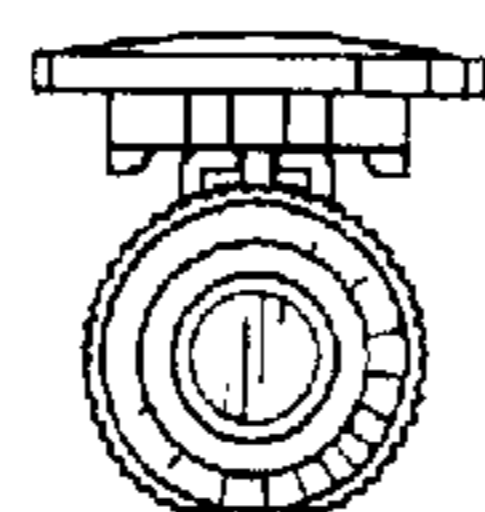


FIG. 6