



US00D535685S

(12) **United States Design Patent**  
**Gunter et al.**

(10) **Patent No.:** **US D535,685 S**  
(45) **Date of Patent:** **\*\* Jan. 23, 2007**

- (54) **PAPER TRIMMER BLADE HOLDER**
- (75) Inventors: **James R. Gunter**, Provo, UT (US); **M. Ann Merrill**, Draper, UT (US)
- (73) Assignee: **Provo Craft and Novelty, Inc.**, Spanish Fork, UT (US)
- (\*\*) Term: **14 Years**
- (21) Appl. No.: **29/230,273**
- (22) Filed: **May 18, 2005**
- (51) **LOC (8) Cl.** ..... **18-04**
- (52) **U.S. Cl.** ..... **D18/34.9**
- (58) **Field of Classification Search** ..... D18/34.3, D18/34.7, 34.8, 34.9; 83/167, 745, 544, 565, 83/614; 30/151, 292, 294, 319; D10/64, 65  
See application file for complete search history.

- 5,322,001 A 6/1994 Boda
- D353,150 S 12/1994 Mori
- D360,891 S 8/1995 Birkholz et al.
- D360,892 S 8/1995 Birkholz et al.
- 5,524,515 A 6/1996 Boda
- D377,368 S 1/1997 Rellinger
- D379,193 S 5/1997 Cornell
- D381,359 S 7/1997 Mori
- D387,377 S 12/1997 Daley
- 5,802,942 A 9/1998 Cornell et al.
- 5,819,618 A 10/1998 Rodriguez
- D412,931 S 8/1999 Chan et al.
- D415,404 S 10/1999 Seaton
- D415,519 S \* 10/1999 Mori ..... D18/34.8
- D417,693 S 12/1999 Daley, Jr.
- D425,548 S 5/2000 Rellinger
- D427,626 S 7/2000 Robillard
- 6,098,515 A 8/2000 Daley
- 6,460,443 B1 10/2002 Hsiao
- D469,461 S 1/2003 Gstalder
- D469,800 S 2/2003 Robillard
- 6,675,689 B1 \* 1/2004 Nunez et al. .... 83/614

(56) **References Cited**

(Continued)

U.S. PATENT DOCUMENTS

- 318,556 A 5/1885 French
- 442,414 A 12/1890 Blanchard
- 491,307 A 2/1893 Gaylord
- 802,720 A 10/1905 Weber
- 802,721 A 10/1905 Weber
- 821,299 A 5/1906 Lavoie
- 821,681 A 5/1906 Vandemark et al.
- 1,075,050 A 10/1913 Mihills
- 2,327,223 A 8/1943 Silver
- 2,345,450 A 3/1944 Blanc
- 2,672,933 A 3/1954 Bridy
- 2,790,498 A 4/1957 Carscallen
- 3,237,497 A 3/1966 Cook
- 3,301,117 A 1/1967 Spaulding
- 3,527,131 A 9/1970 Ellerin et al.
- 3,648,557 A 3/1972 Lind
- 3,973,459 A 8/1976 Stowe
- 4,957,235 A 9/1990 Beno et al.
- 4,967,628 A 11/1990 Judd et al.
- D319,255 S 8/1991 Beno et al.
- D319,840 S 9/1991 Hatsumi et al.
- 5,069,097 A 12/1991 Mori
- D322,974 S 1/1992 Mori

*Primary Examiner*—Charles A. Rademaker  
(74) *Attorney, Agent, or Firm*—Morriss O'Bryant Compagni, P.C.

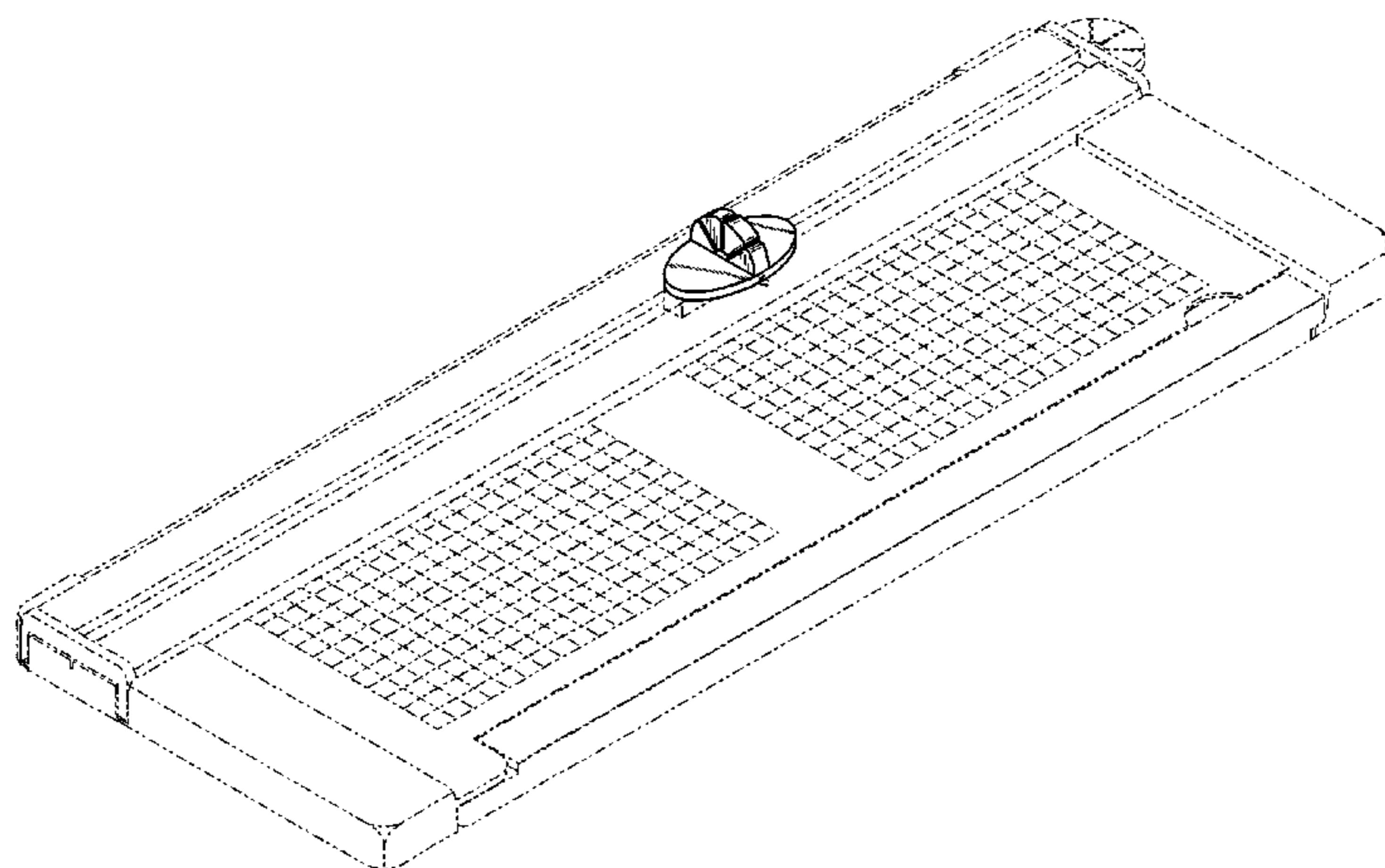
(57) **CLAIM**

The ornamental design for a paper trimmer blade holder, as shown and described.

**DESCRIPTION**

FIG. 1 is a top perspective top view of a paper trimmer blade holder showing our new design;  
FIG. 2 is a top plan view thereof;  
FIG. 3 is a bottom plan view thereof;  
FIG. 4 is a front plan view thereof;  
FIG. 5 is a rear plan view thereof;  
FIG. 6 is a right end elevation thereof; and,  
FIG. 7 is a left end elevation thereof.  
The broken line showing of environment is for illustrative purposes only and form no part of the claimed design.

**1 Claim, 2 Drawing Sheets**



# US D535,685 S

Page 2

---

## U.S. PATENT DOCUMENTS

D501,500 S	*	2/2005	Schultz et al. ....	D18/34.8	2003/0140757 A1	7/2003	Carlson et al.
D501,501 S	*	2/2005	Schultz et al. ....	D18/34.8	2003/0140761 A1	7/2003	Schulz
D503,191 S		3/2005	Mori et al.		2004/0149108 A1	8/2004	McLean et al.
6,951,159 B1		10/2005	Lin et al.		2004/0221705 A1	11/2004	Vossler
2002/0096031 A1	*	7/2002	Yang .....	83/614	2005/0172774 A1 *	8/2005	Tseng ..... 83/614

\* cited by examiner

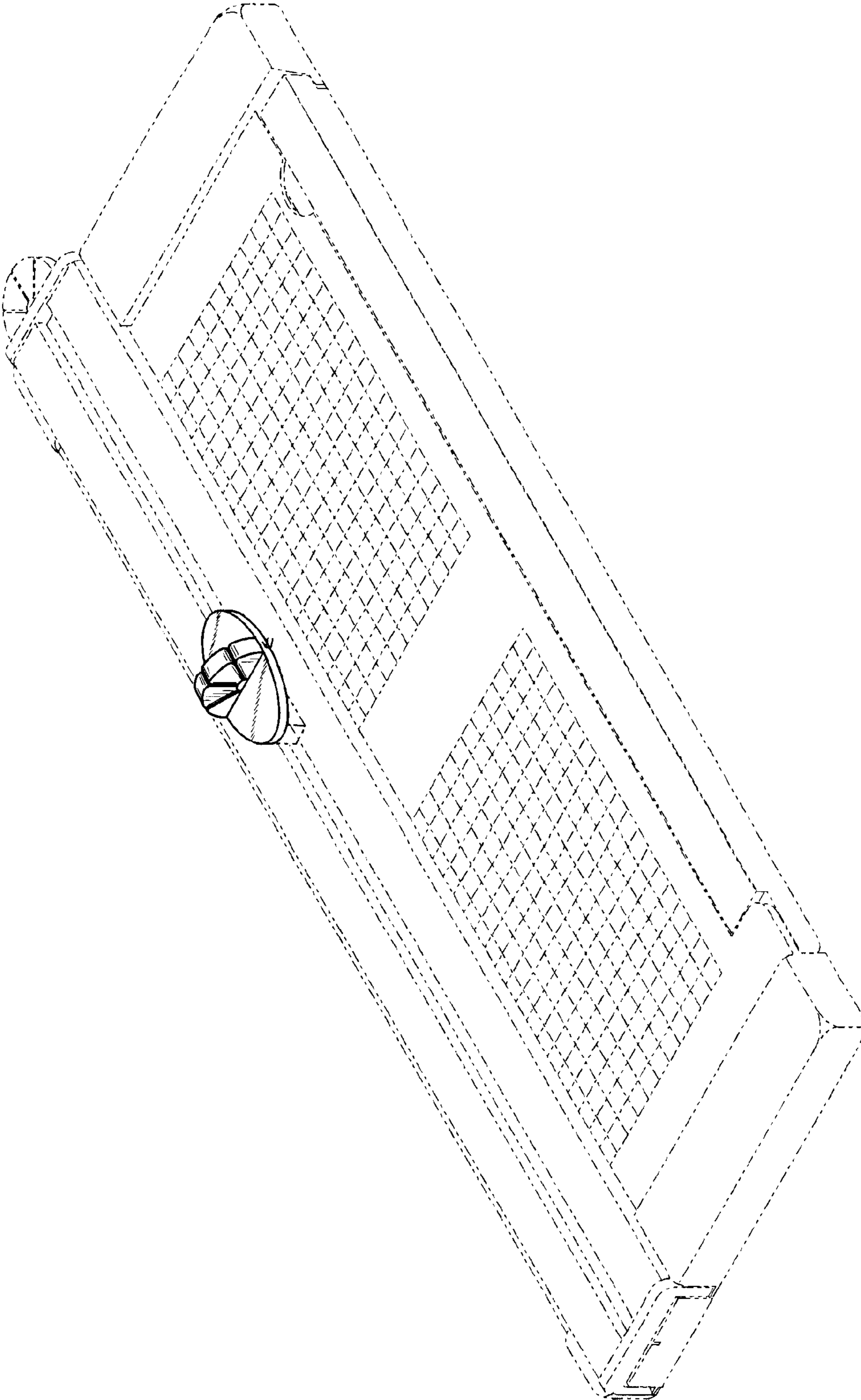
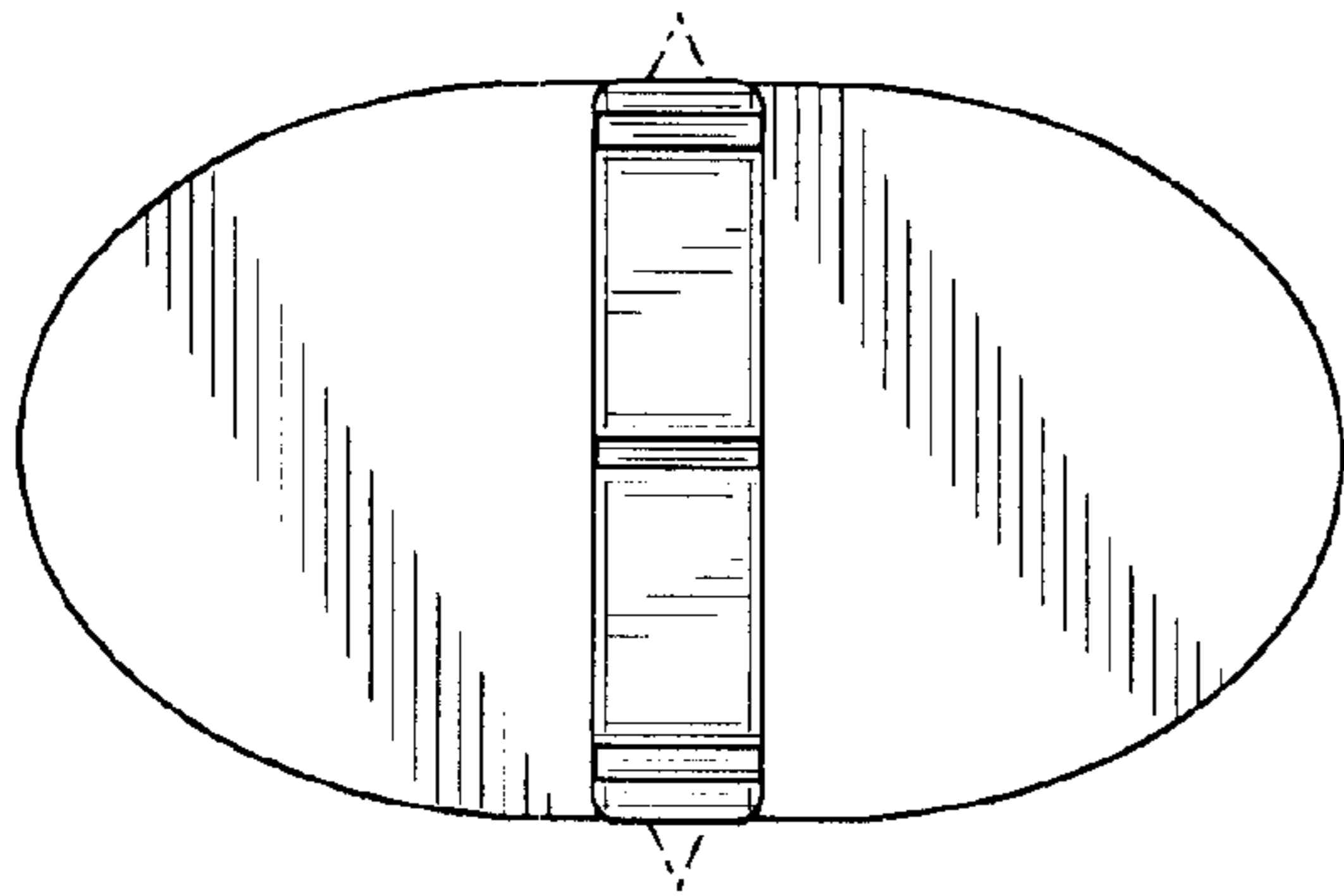
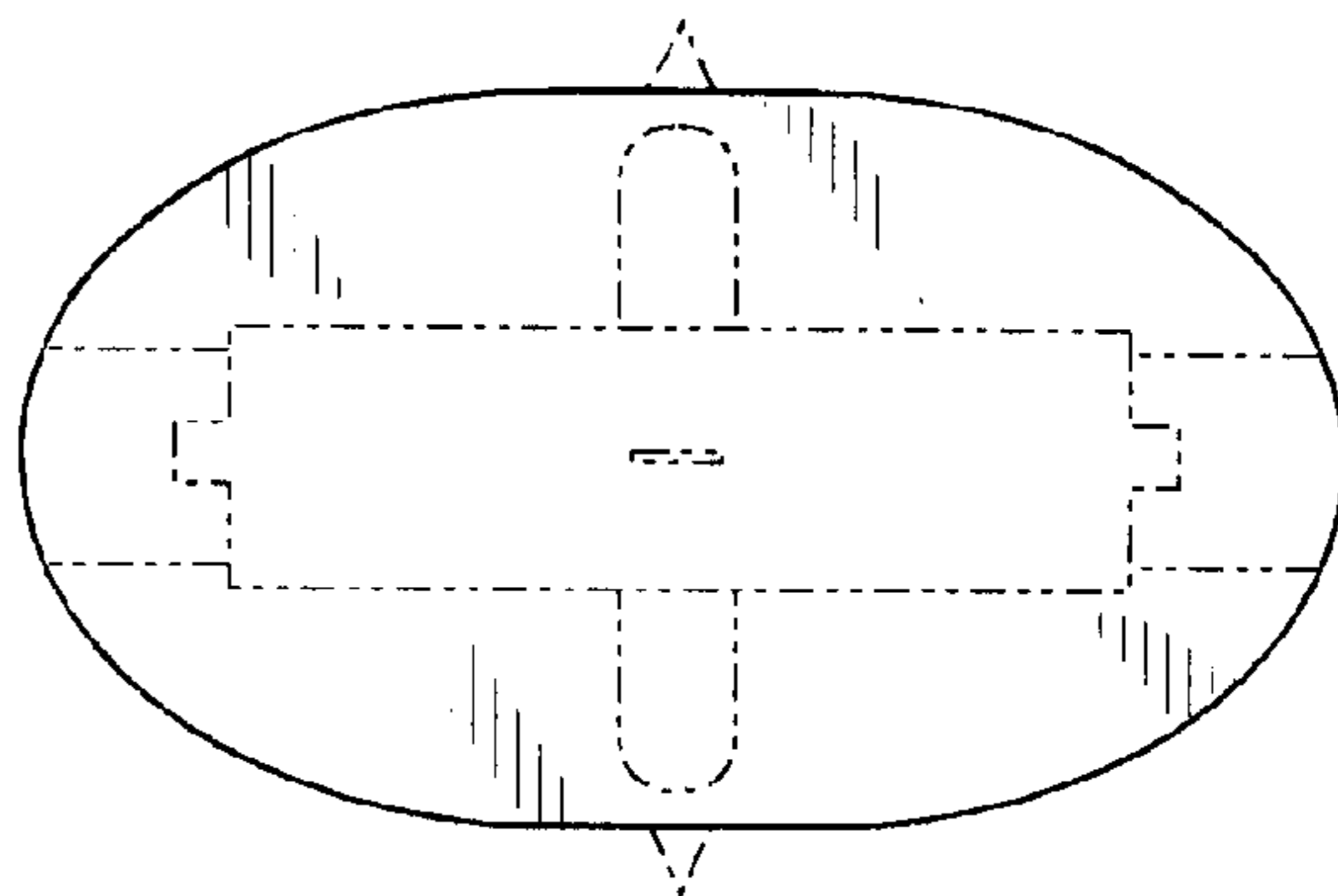


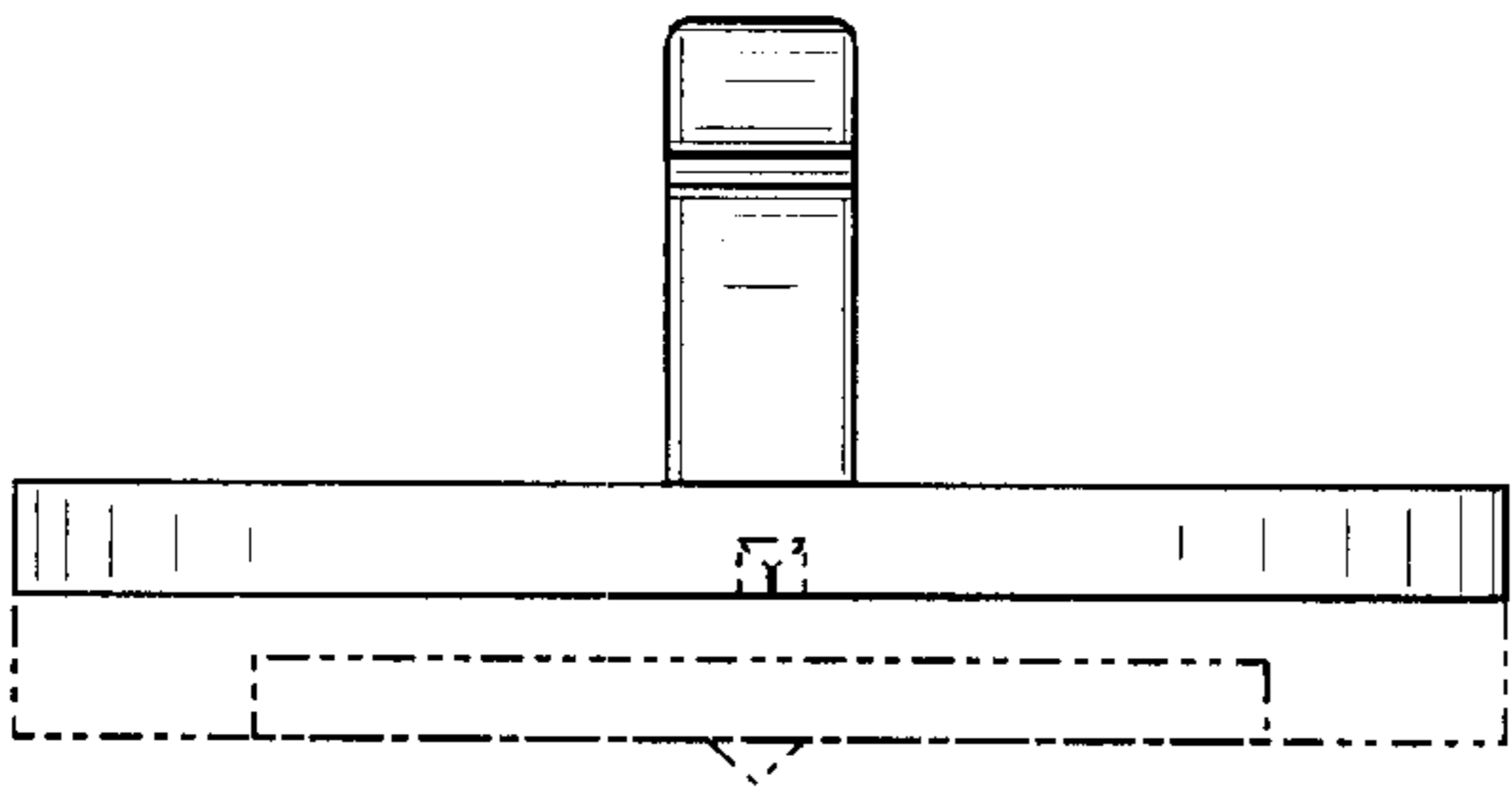
FIG. 1



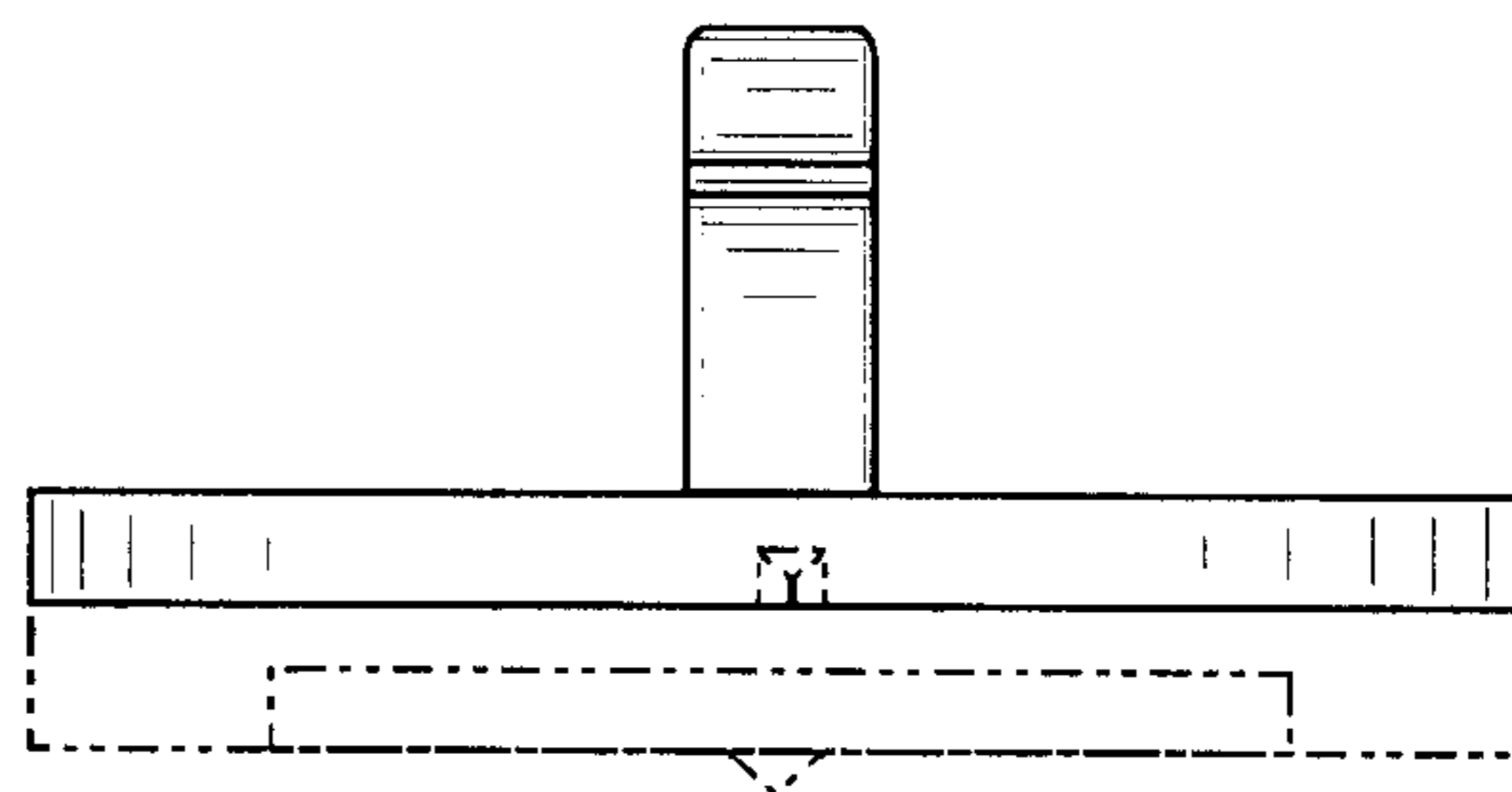
**FIG. 2**



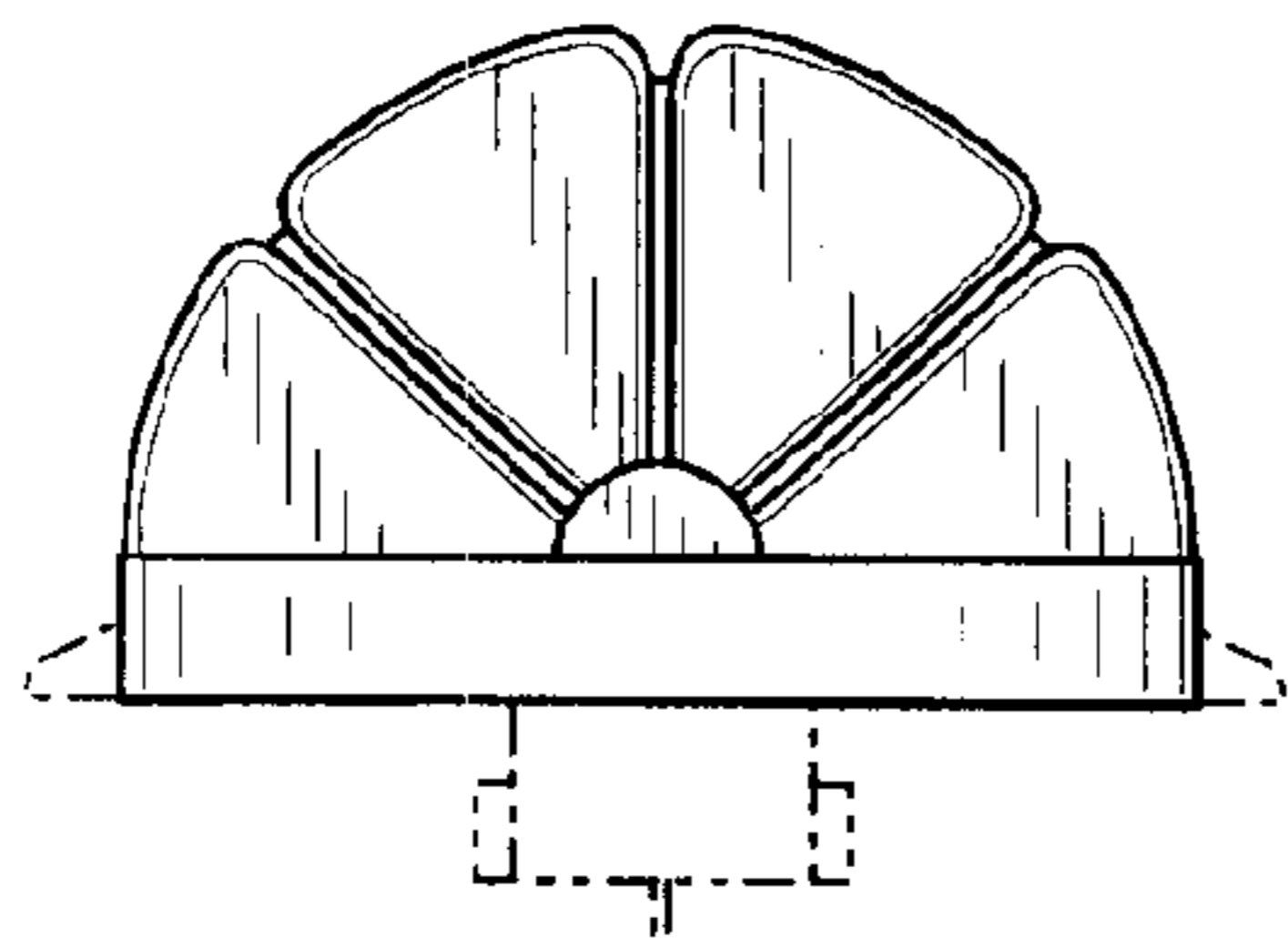
**FIG. 3**



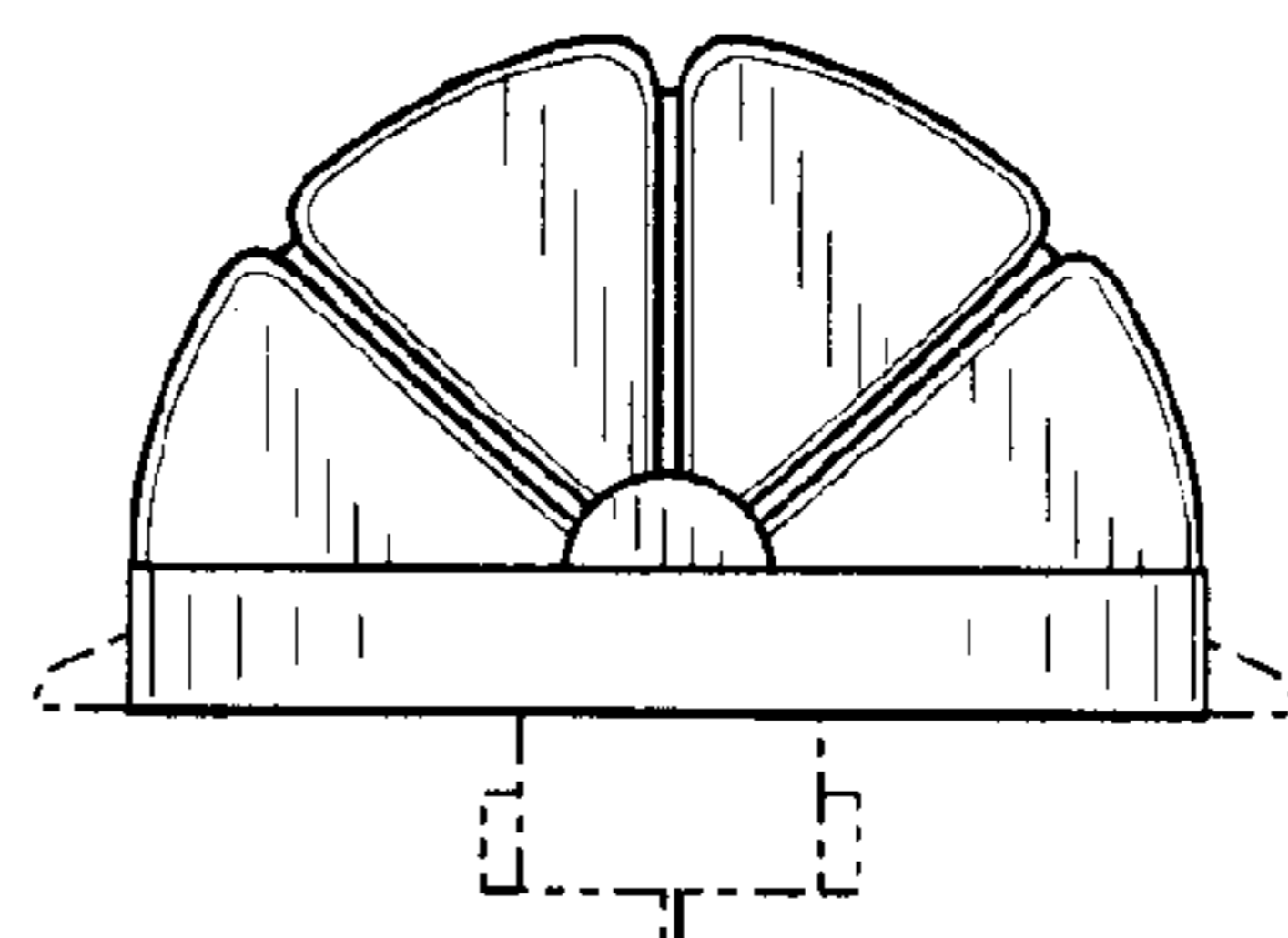
**FIG. 4**



**FIG. 5**



**FIG. 6**



**FIG. 7**