



US00D535683S

(12) **United States Design Patent**
Kessinger

(10) **Patent No.:** **US D535,683 S**

(45) **Date of Patent:** **** Jan. 23, 2007**

(54) **BOTTLE OPENER WITH MAGNET AND LIGHTER SLEEVE**

(76) Inventor: **Scott W. Kessinger**, P.O. Box 570951,
Las Vegas, NV (US) 89157

(**) Term: **14 Years**

(21) Appl. No.: **29/245,323**

(22) Filed: **Dec. 22, 2005**

(51) **LOC (8) Cl.** **18-04**

(52) **U.S. Cl.** **D18/34**

(58) **Field of Classification Search** D8/16,
D8/18, 19, 33-43, 88, 98, 105; D7/372, 373,
D7/381, 386, 665, 666, 669, 680; D27/142;
7/113, 151-156; 30/1.5, 113.1, 113.2, 113.3,
30/400-450; 81/3.07, 3.08, 3.09, 3.2, 3.27,
81/3.35, 3.4, 3.45, 3.48, 3.49, 3.55, 3.57
See application file for complete search history.

(56) **References Cited**

U.S. PATENT DOCUMENTS

D205,370 S	*	7/1966	Roeschlaub	D8/18
D238,411 S	*	1/1976	Levenson	D8/18
4,361,920 A		12/1982	Zanni		
4,560,344 A		12/1985	Kietaibl		
4,569,653 A		2/1986	Becker et al.		
4,642,827 A		2/1987	Karuzas		
4,854,856 A	*	8/1989	Steiger, Jr. et al.	7/151
D374,740 S		10/1996	Seaman et al.		
D380,948 S	*	7/1997	Smith	D8/33

5,682,981 A	*	11/1997	Sudborough	206/38.1
D391,134 S	*	2/1998	Laib	D8/40
D403,562 S	*	1/1999	Molaro	D8/38
D433,297 S		11/2000	Haas		
D436,008 S	*	1/2001	Klein et al.	D8/34
D437,753 S	*	2/2001	Hastings et al.	D8/18
6,544,030 B1		4/2003	Evers		
D488,690 S	*	4/2004	Haas et al.	D8/34

* cited by examiner

Primary Examiner—Robert M. Spear

Assistant Examiner—Garth Rademaker

(74) *Attorney, Agent, or Firm*—Theresa M. Seal

(57) **CLAIM**

The ornamental design for a bottle opener with magnet and lighter sleeve, as shown and described.

DESCRIPTION

FIG. 1 is a perspective view of a bottle opener with magnet and lighter sleeve;

FIG. 2 is second perspective view thereof;

FIG. 3 is a front elevation view thereof;

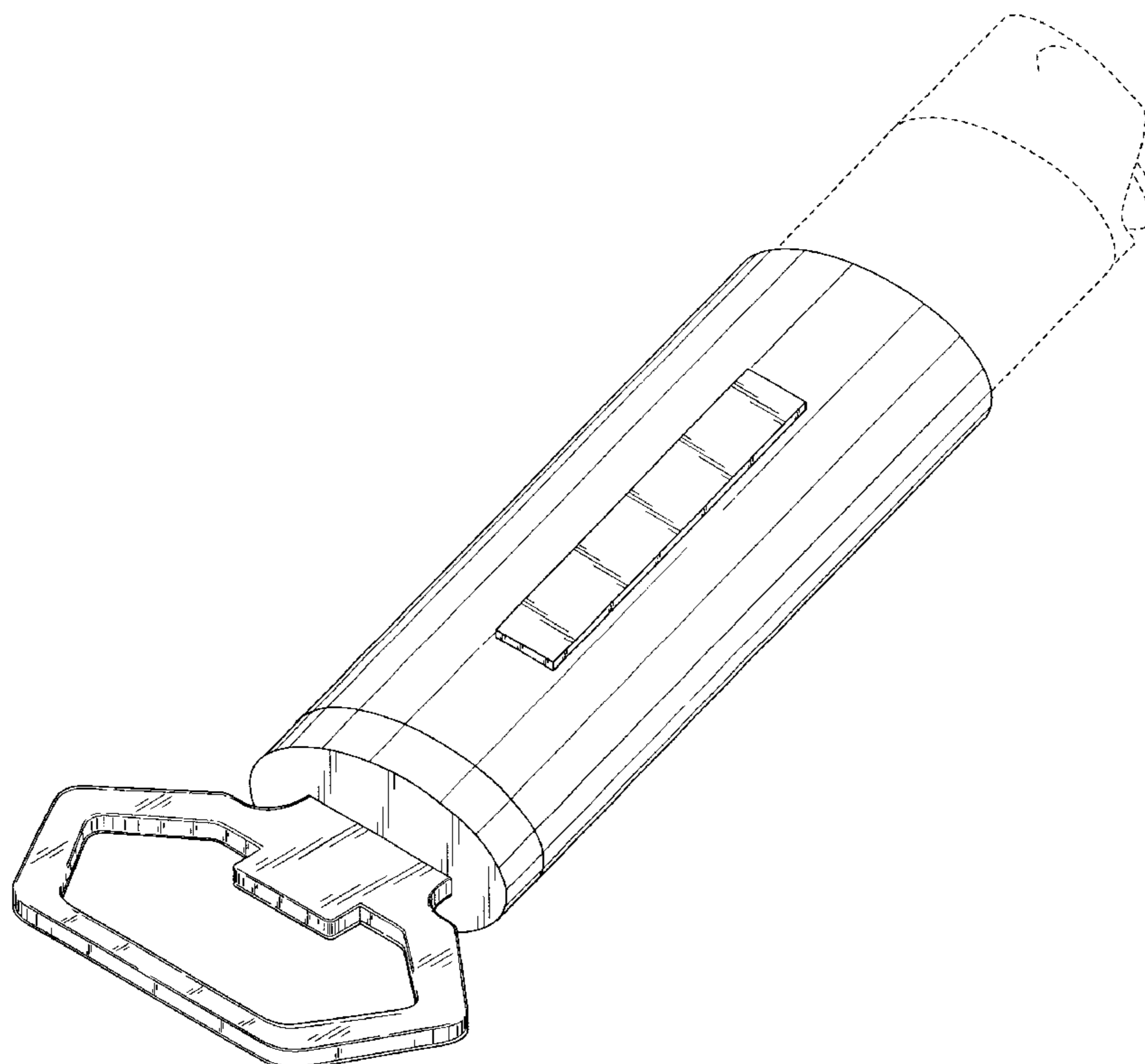
FIG. 4 is a left side elevation view thereof, the opposite side being a mirror image thereof;

FIG. 5 is a top plan view thereof; and,

FIG. 6 is a bottom plan view thereof.

The broken line showing of a disposable lighter in FIG. 1 is for illustrative purposes only and forms no part of the claimed design.

1 Claim, 3 Drawing Sheets



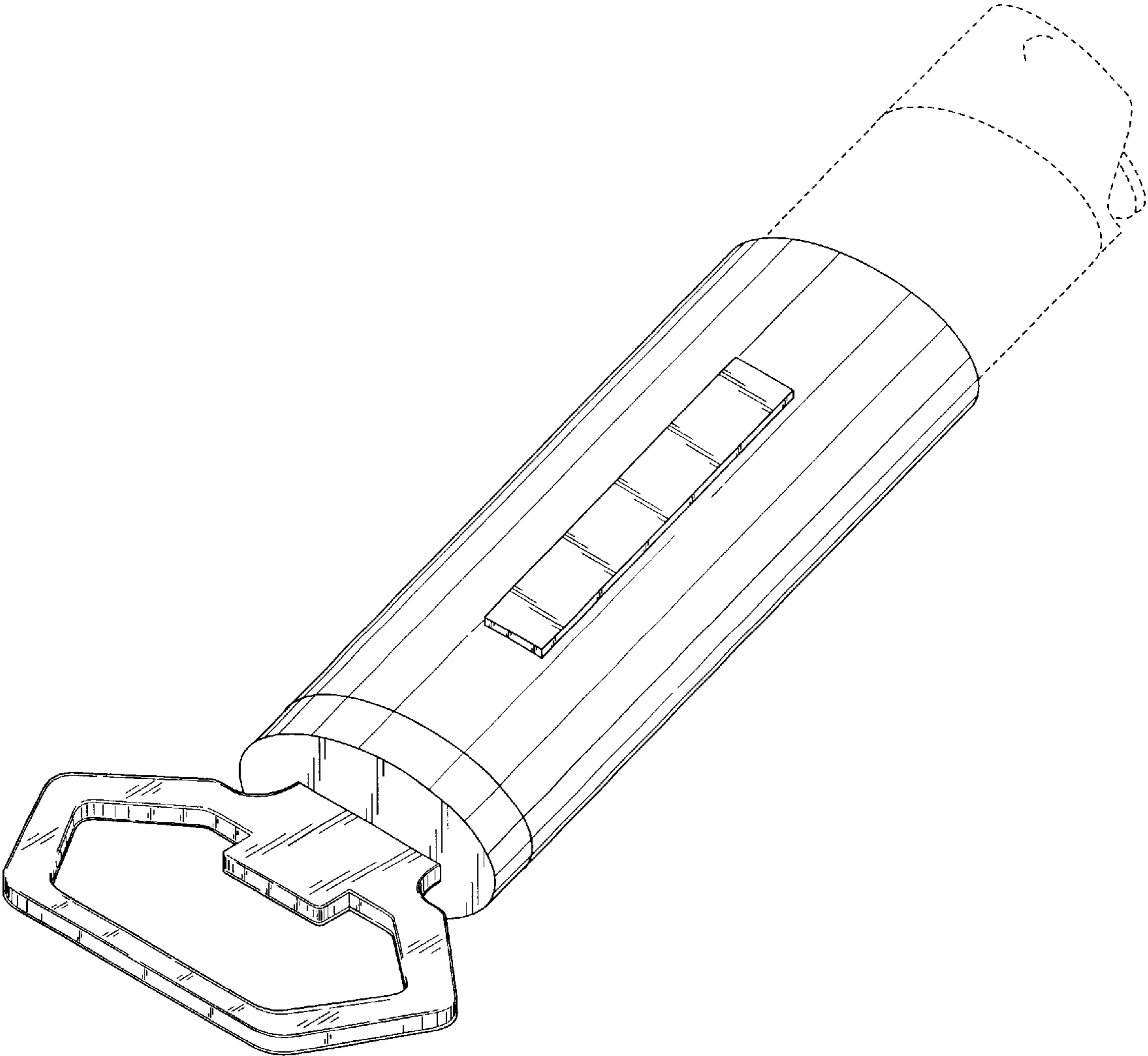


Fig. 1

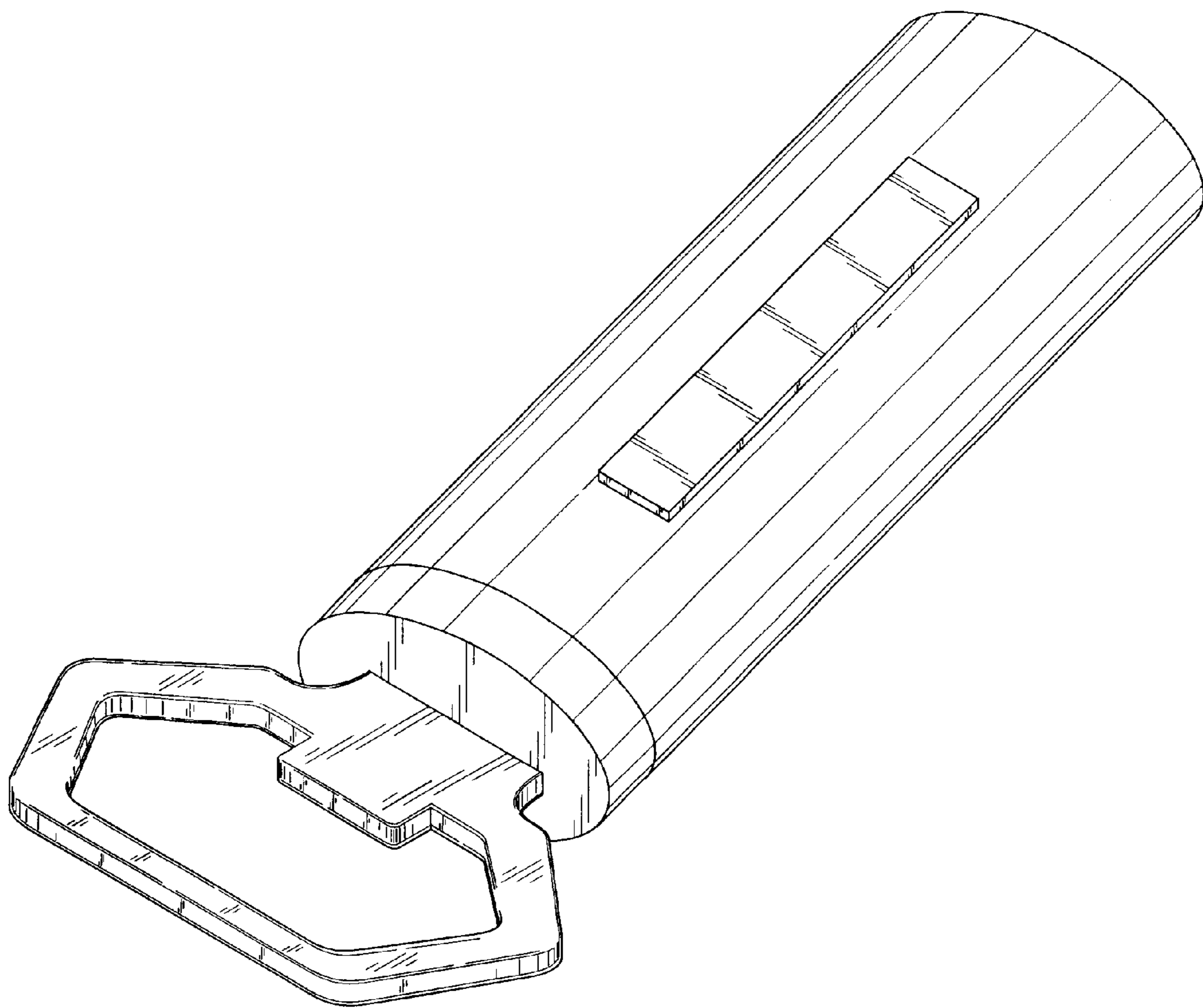


Fig. 2

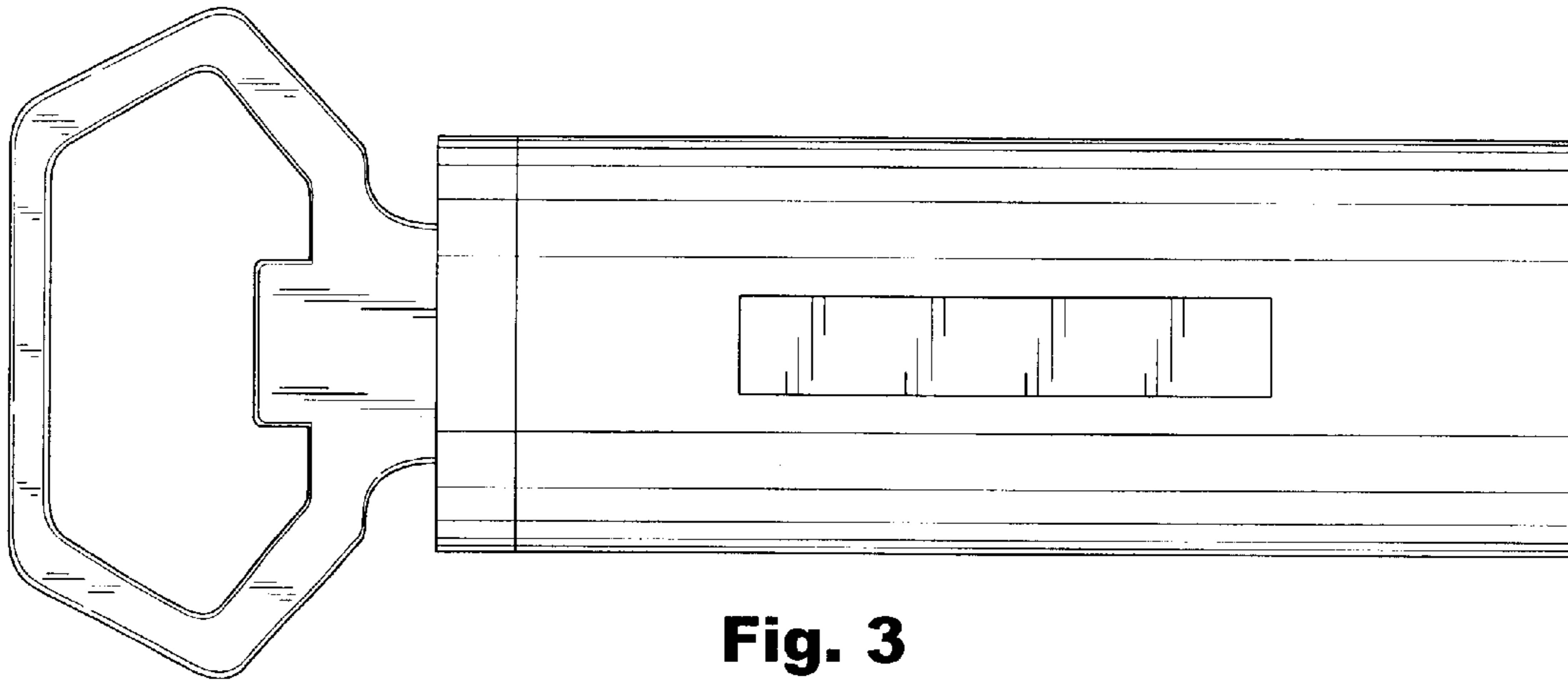


Fig. 3

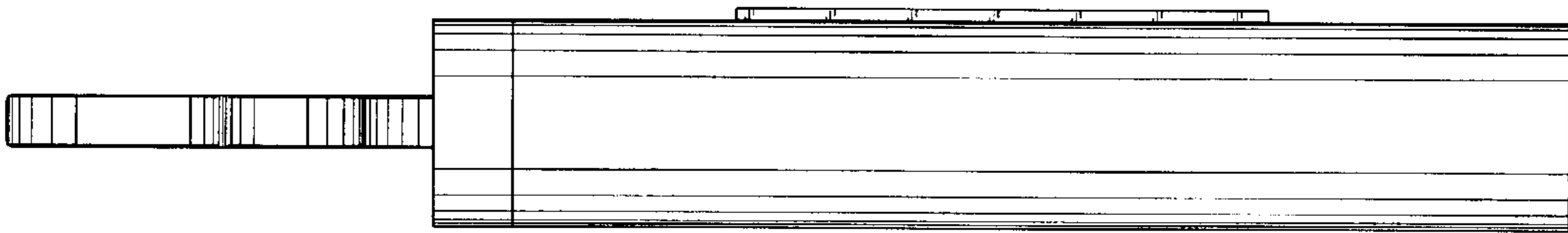


Fig. 4

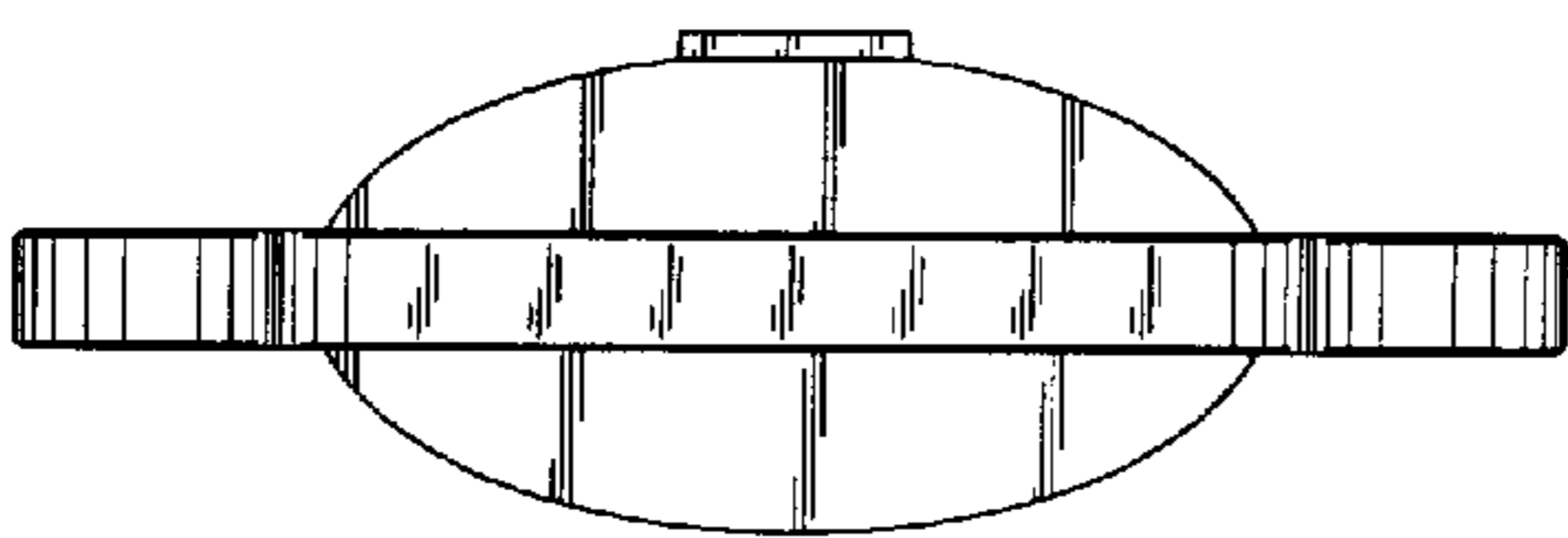


Fig. 5

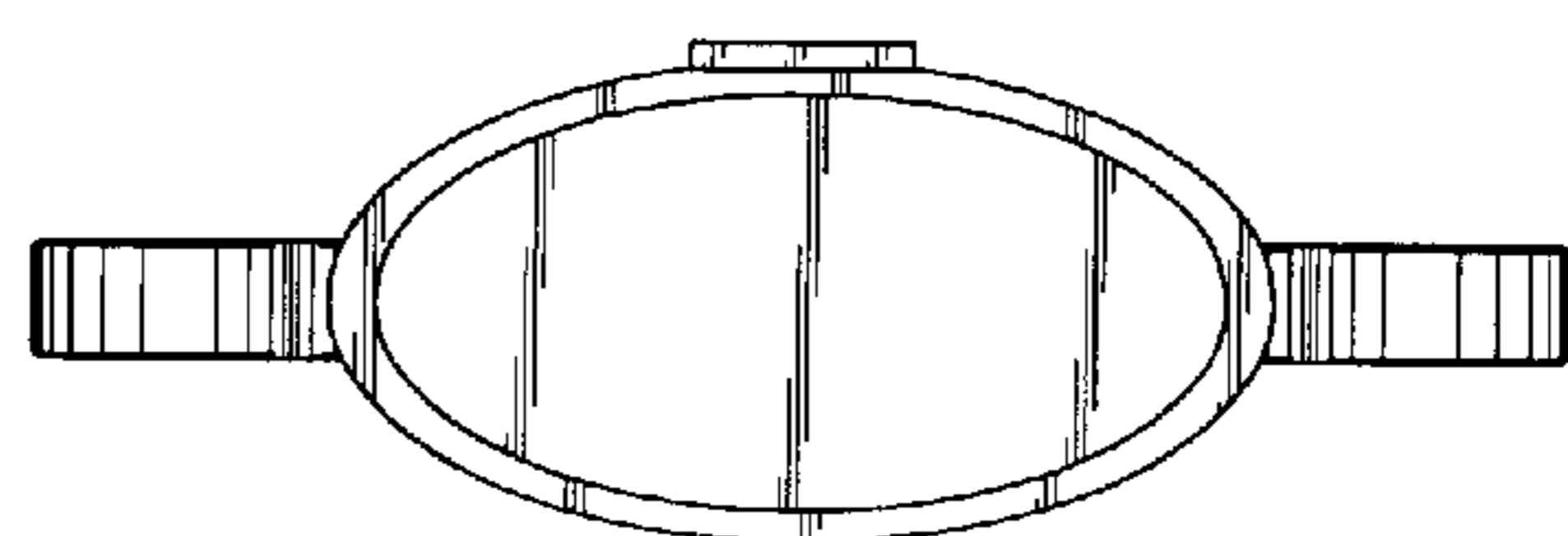


Fig. 6