



US00D535678S

(12) **United States Design Patent**  
**Lane et al.**

(10) **Patent No.: US D535,678 S**  
(45) **Date of Patent: \*\* Jan. 23, 2007**

(54) **EYEWEAR**

(75) Inventors: **Henry Welling Lane**, San Luis Obispo, CA (US); **Eric Rhea**, San Luis Obispo, CA (US)

(73) Assignee: **Dioptics Medical Products, Inc.**, San Luis Obispo, CA (US)

(\*\*) Term: **14 Years**

(21) Appl. No.: **29/236,886**

(22) Filed: **Aug. 22, 2005**

(51) **LOC (8) Cl.** ..... **16-06**

(52) **U.S. Cl.** ..... **D16/311**

(58) **Field of Classification Search** ..... D16/101,  
D16/300-330; D29/109-110; D24/110.2;  
351/41, 44, 43, 51-52, 158, 47-48, 57, 58;  
2/426, 428-430, 439-446, 452, 435-437  
See application file for complete search history.

(56) **References Cited**

**U.S. PATENT DOCUMENTS**

2,608,687 A	9/1952	Ellis	
2,654,090 A	10/1953	Christensen et al.	
3,377,626 A	4/1968	Smith	
3,395,406 A	8/1968	Smith	
D228,584 S	10/1973	Leblanc	
4,150,443 A	4/1979	McNeilly	
4,571,748 A	2/1986	Carroll et al.	
4,670,914 A	6/1987	Harris	
D290,710 S	* 7/1987	Aliberti	..... D16/311
4,707,863 A	11/1987	McNeal	
5,018,223 A	5/1991	Dawson et al.	
5,423,092 A	6/1995	Kawai	
5,711,035 A	1/1998	Haslbeck	

D404,052 S	*	1/1999	Simioni	.....	D16/311
6,009,564 A		1/2000	Tackles et al.		
D422,617 S	*	4/2000	Simioni	.....	D16/311
D482,383 S	*	11/2003	Lee	.....	D16/311

**OTHER PUBLICATIONS**

Bolle Polarisant Collection, 1993 Catalog, pp. 6-21, Bolle, Inc., Overland Park, KS, 1993.

\* cited by examiner

*Primary Examiner*—Raphael Barkai

(74) *Attorney, Agent, or Firm*—Westberg Law Offices

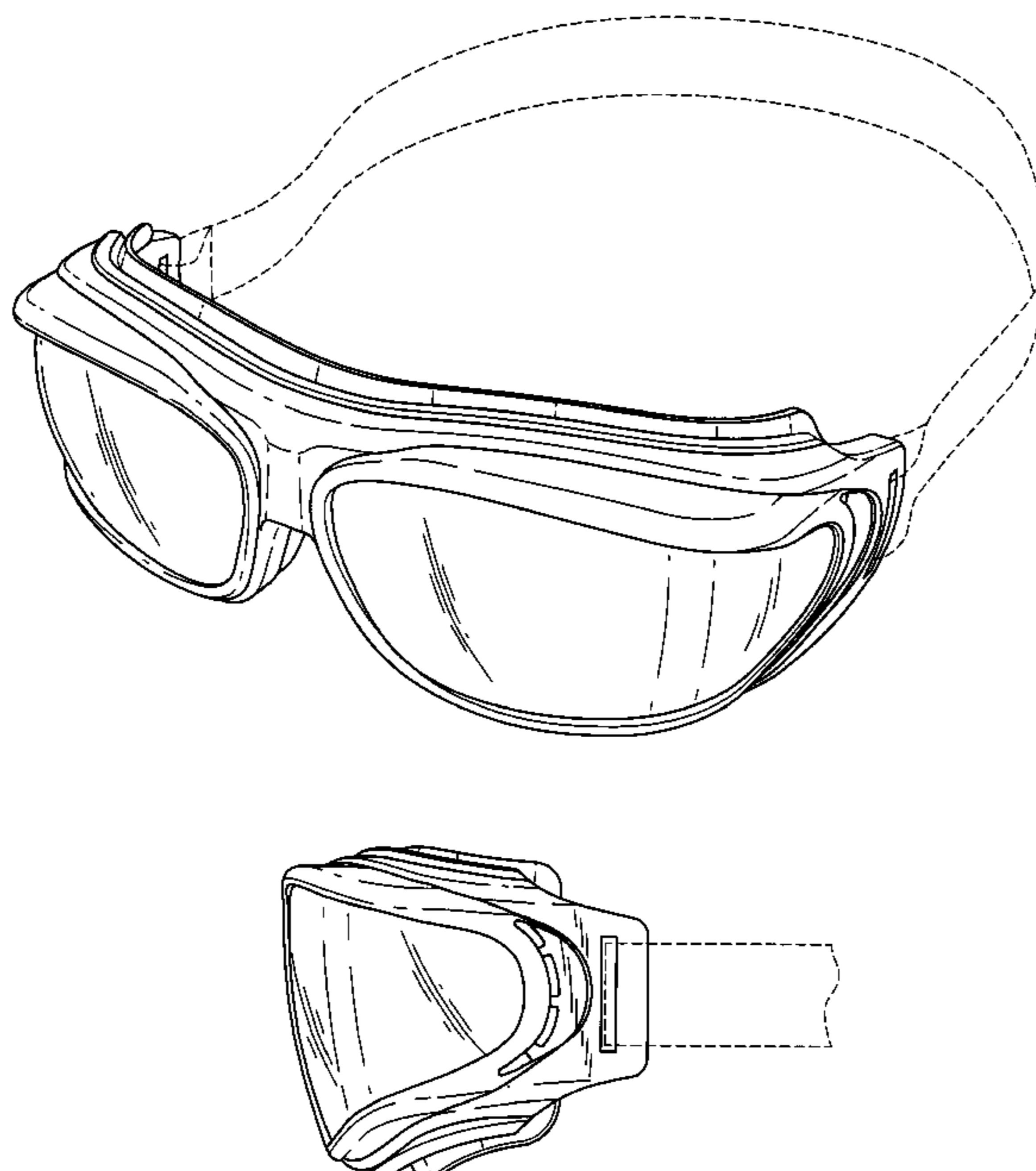
(57) **CLAIM**

The ornamental design for eyewear, as shown and described.

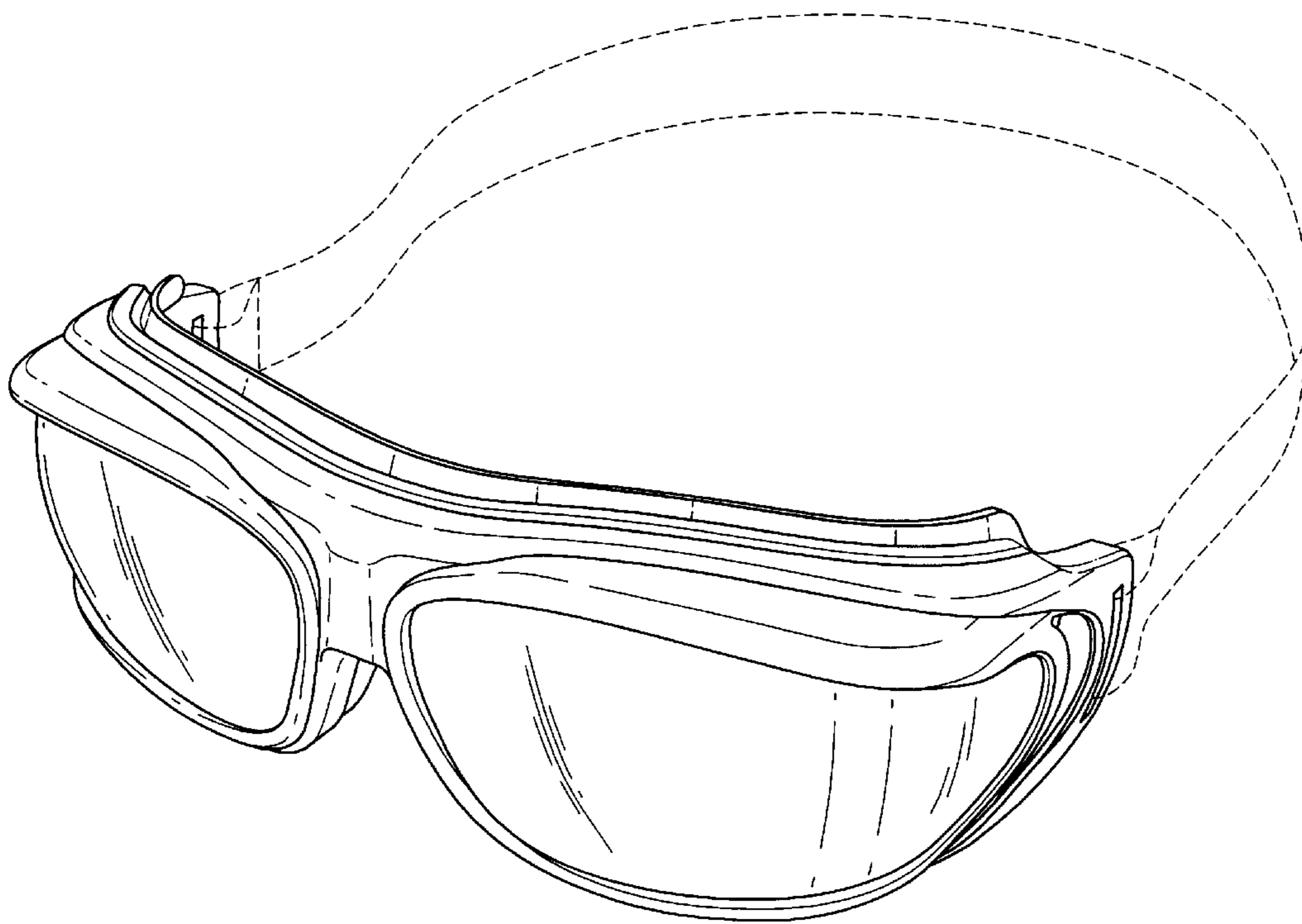
**DESCRIPTION**

FIG. 1 is a front perspective view of an embodiment of eyewear showing my new design;  
 FIG. 2 is a bottom view thereof;  
 FIG. 3 is a top view thereof;  
 FIG. 4 is a front elevational view thereof;  
 FIG. 5 is a right side elevation view thereof, the left side being a mirror image of the right side;  
 FIG. 6 is a rear elevation view thereof;  
 FIG. 7 is a front perspective view of an alternate embodiment of eyewear showing my new design;  
 FIG. 8 is a bottom view thereof;  
 FIG. 9 is a top view thereof;  
 FIG. 10 is a front elevation view thereof;  
 FIG. 11 is a right side elevation view thereof, the left side being a mirror image of the right side; and,  
 FIG. 12 is a rear elevation view thereof.  
 The broken lines showing a strap are for illustrative purposes only and form no part of the claimed design.

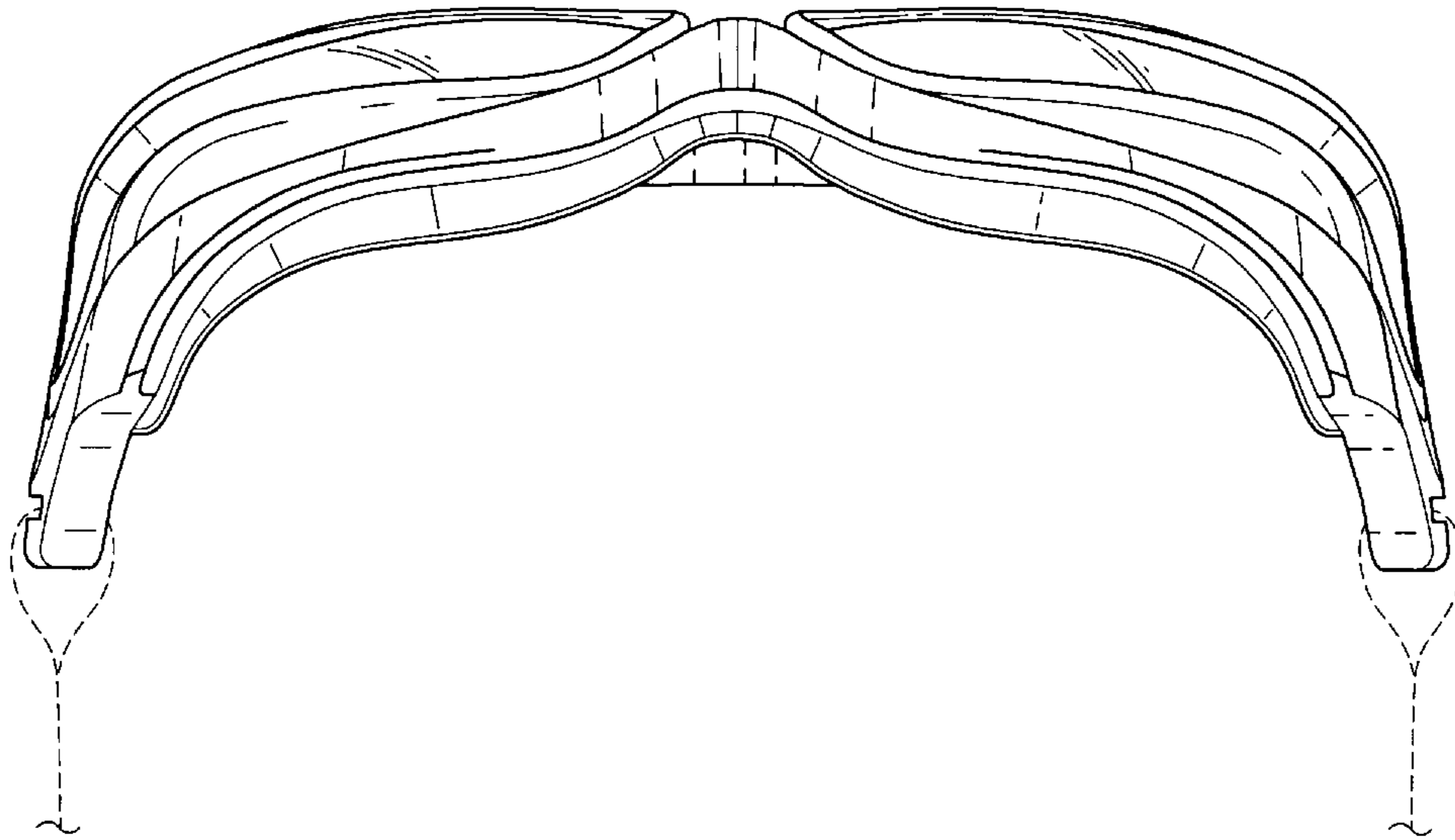
**1 Claim, 6 Drawing Sheets**



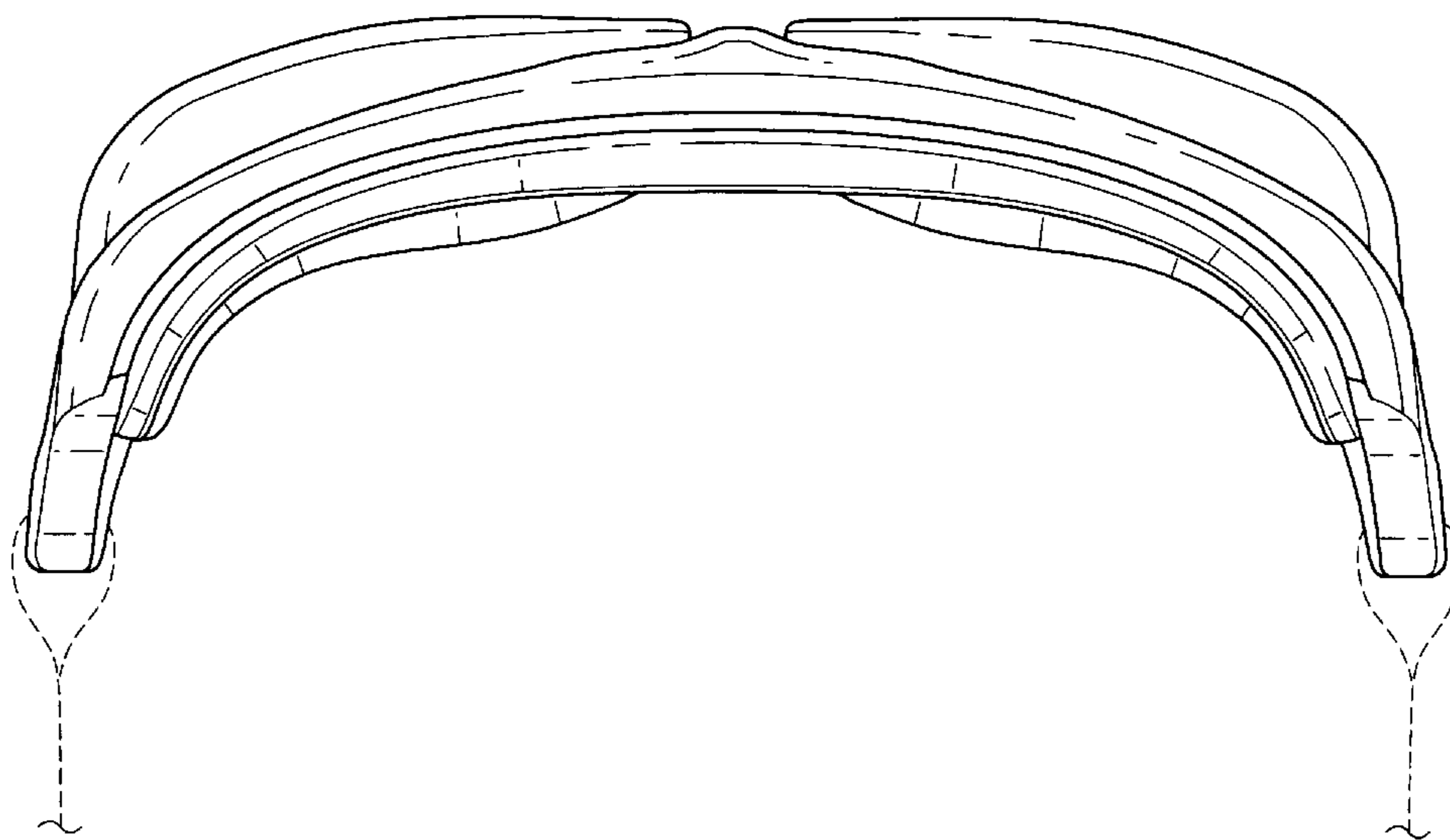
**FIG. 1**



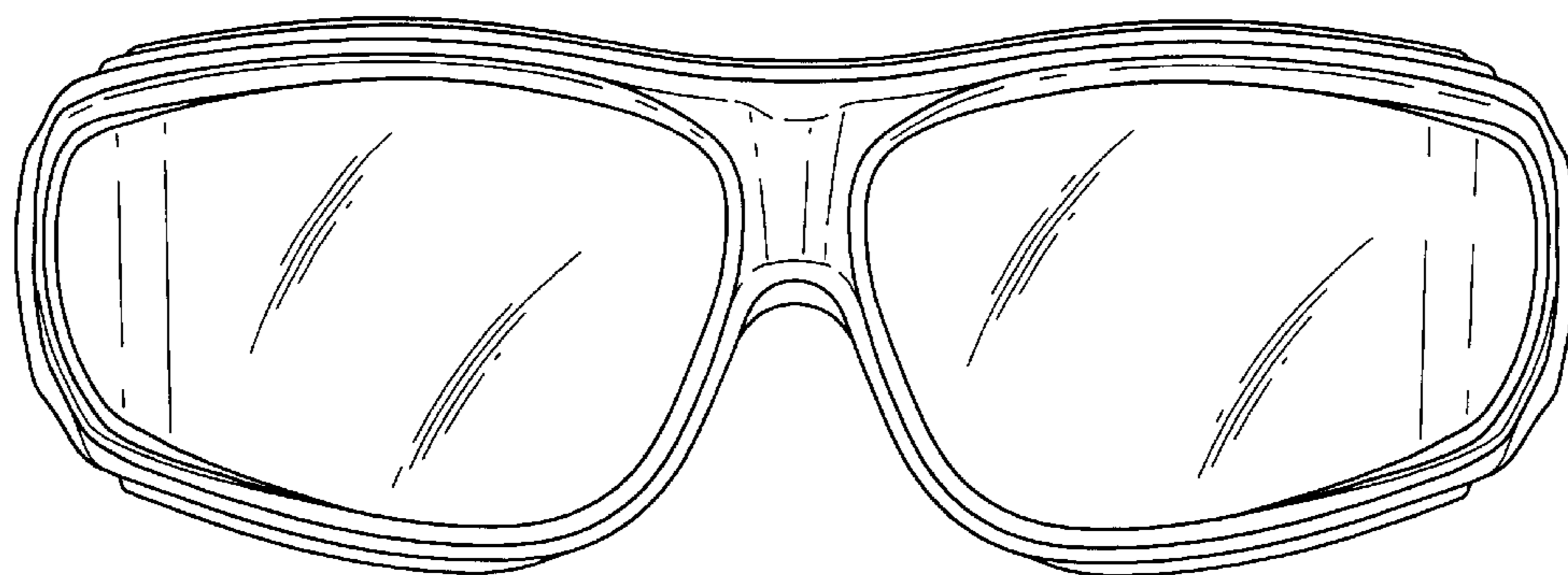
**FIG. 2**



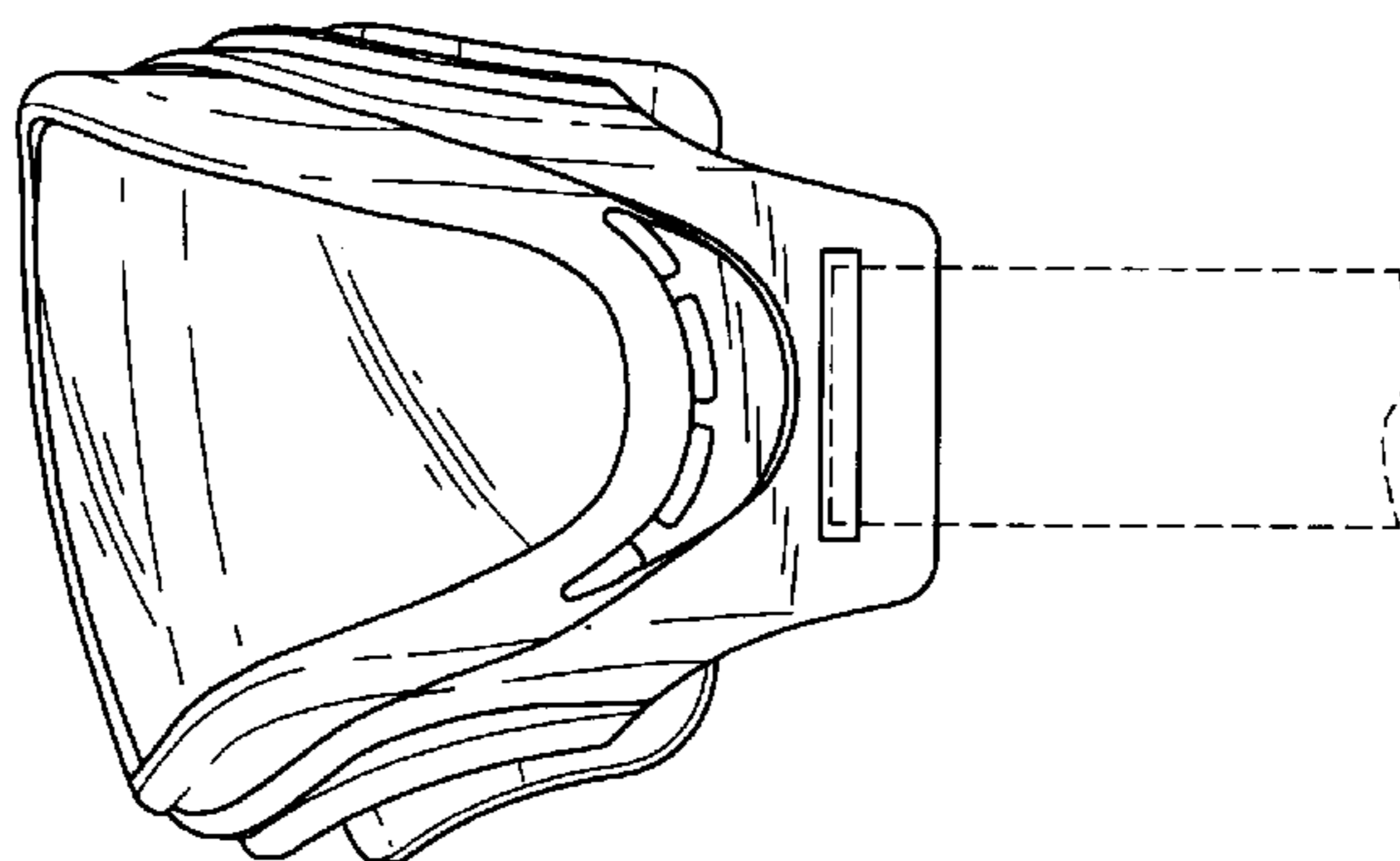
**FIG. 3**



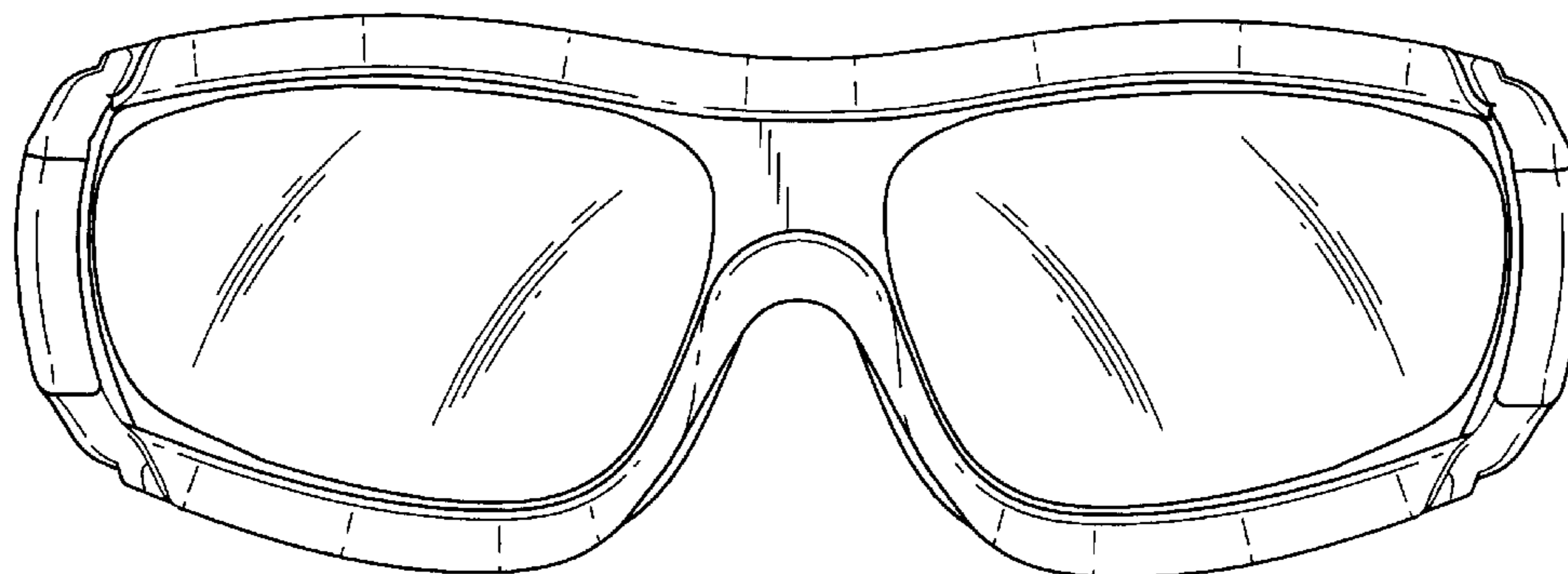
**FIG. 4**



**FIG. 5**

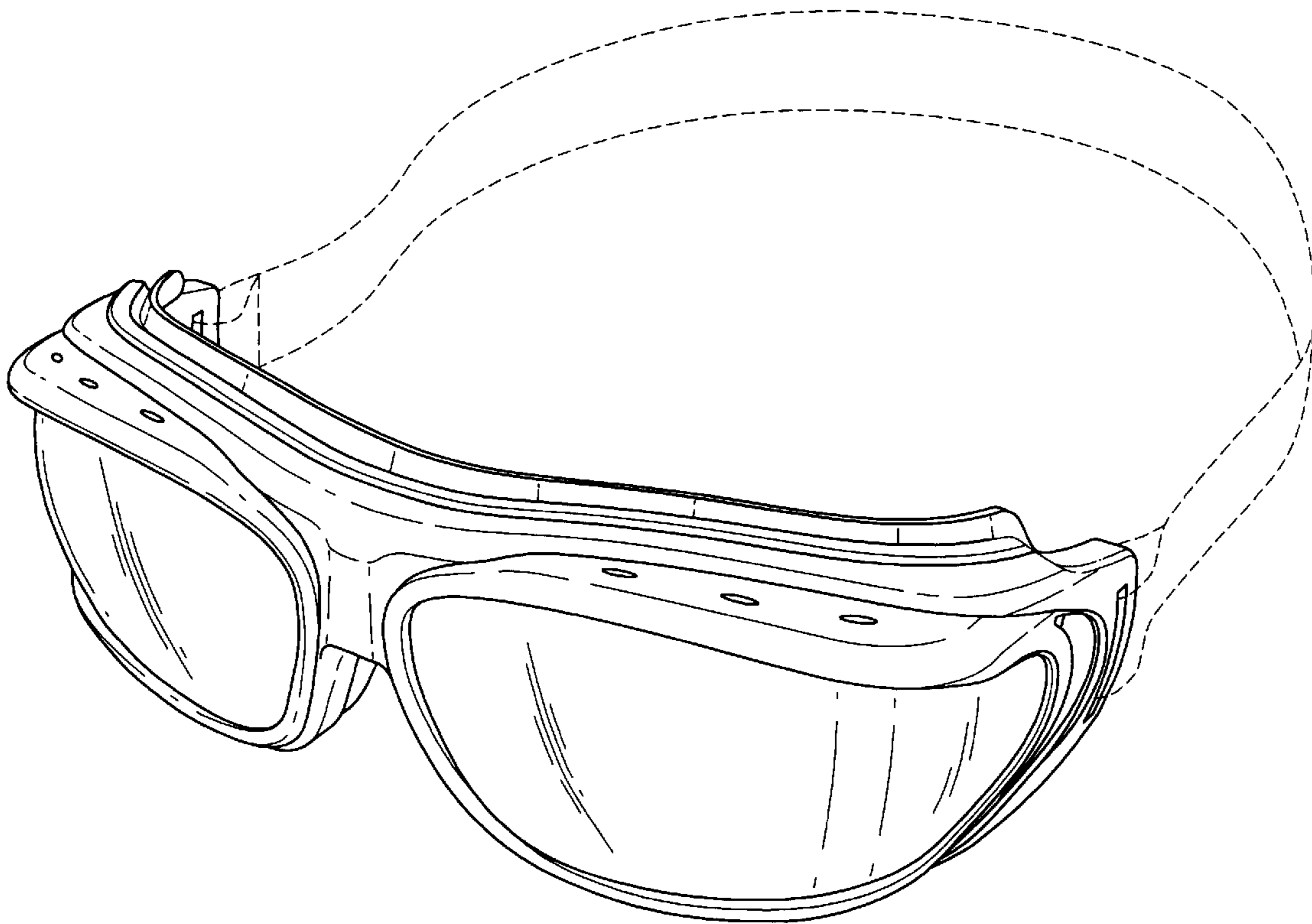


**FIG. 6**

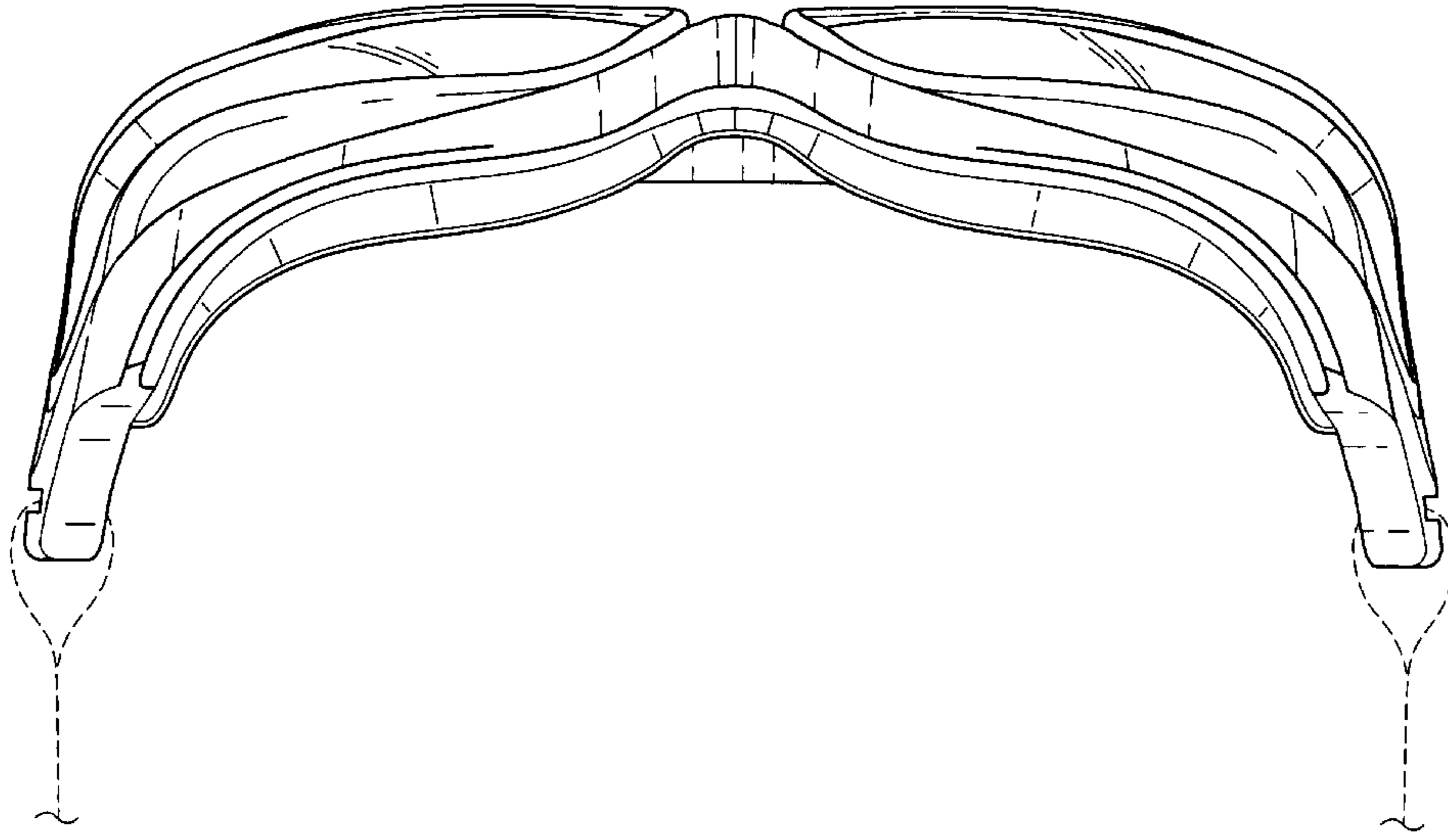




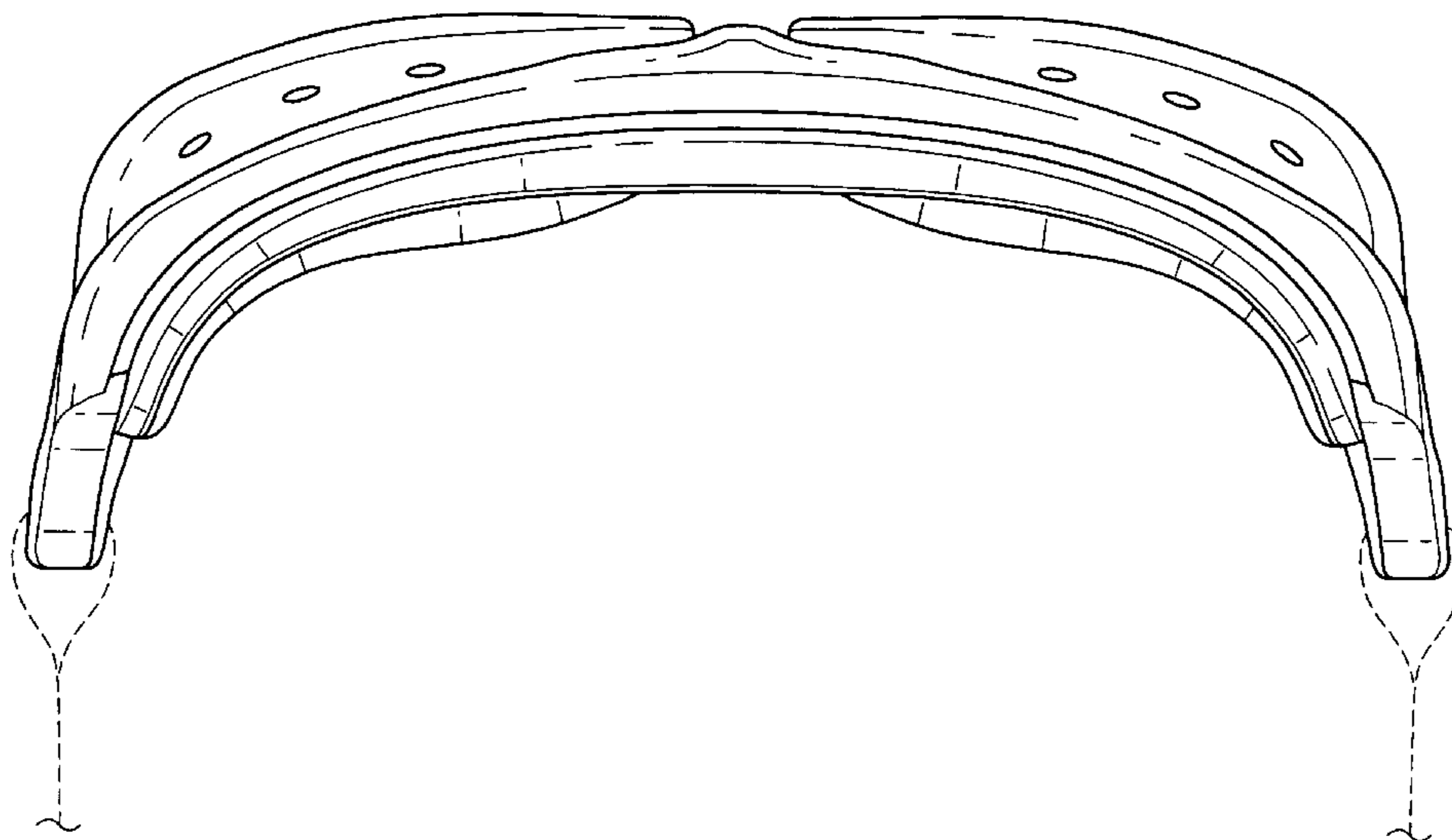
*FIG. 7*



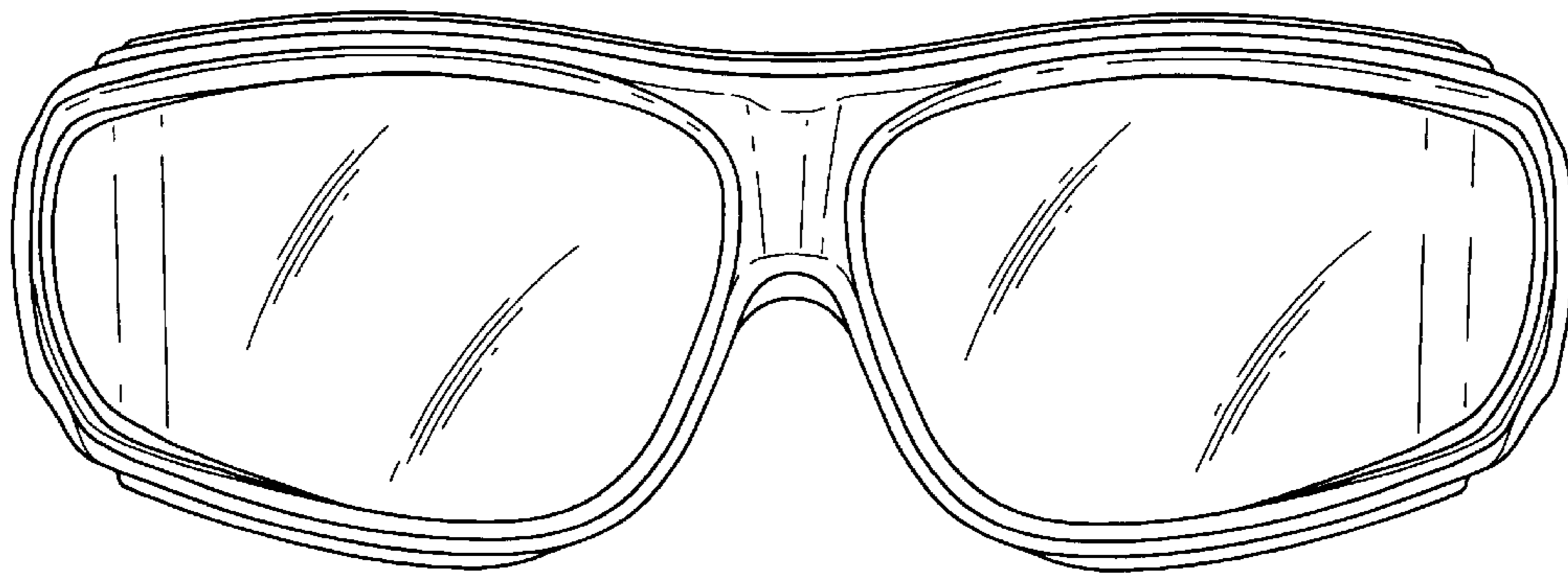
**FIG. 8**



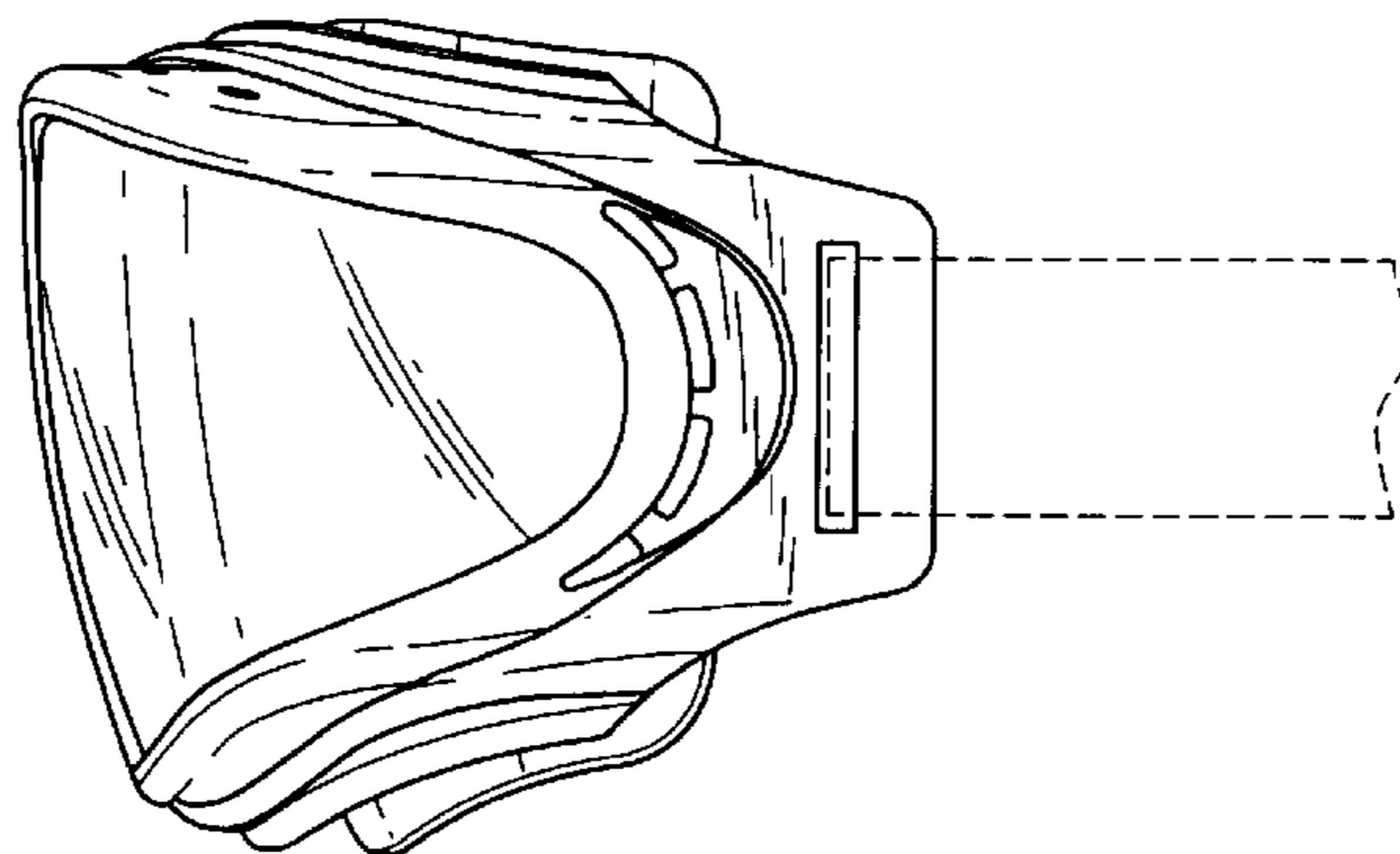
**FIG. 9**



**FIG. 10**



**FIG. 11**



**FIG. 12**

