



US00D535676S

(12) **United States Design Patent**
Dayan

(10) **Patent No.:** **US D535,676 S**

(45) **Date of Patent:** **** Jan. 23, 2007**

(54) **MOUNTABLE CAMERA**

(75) Inventor: **Maurice S. Dayan**, Oakhurst, NJ (US)

(73) Assignee: **Intellectual Solutions, Inc.**

(**) Term: **14 Years**

(21) Appl. No.: **29/252,238**

(22) Filed: **Jan. 20, 2006**

(51) **LOC (8) Cl.** **16-01**

(52) **U.S. Cl.** **D16/218; D16/208**

(58) **Field of Classification Search** D16/200–204,
D16/208, 211, 218, 219, 237; 248/176.1,
248/917, 918; 340/436; 348/118, 148, 152,
348/373; 396/419, 429, 535, 540, 541
See application file for complete search history.

(56) **References Cited**

U.S. PATENT DOCUMENTS

5,574,443	A	*	11/1996	Hsieh	348/118
D378,095	S	*	2/1997	Hasegawa	D16/203
6,175,300	B1	*	1/2001	Kendrick	340/436
D484,161	S	*	12/2003	Mendoza	D16/208
D487,104	S	*	2/2004	Obata	D16/202
D506,215	S	*	6/2005	Lin et al.	D16/218

2006/0061655 A1 * 3/2006 Wang 348/148

* cited by examiner

Primary Examiner—Adir Aronovich

(74) *Attorney, Agent, or Firm*—Wolf, block, Schorr and Solis-Cohen, LLP

(57) **CLAIM**

The ornamental design for a mountable camera, as shown and described.

DESCRIPTION

FIG. 1 is a front perspective view of a mountable camera showing my design.

FIG. 2 is a bottom perspective view of the mountable camera of FIG. 1.

FIG. 3 is a front view of the mountable camera of FIG. 1.

FIG. 4 is a rear view of the mountable camera of FIG. 1.

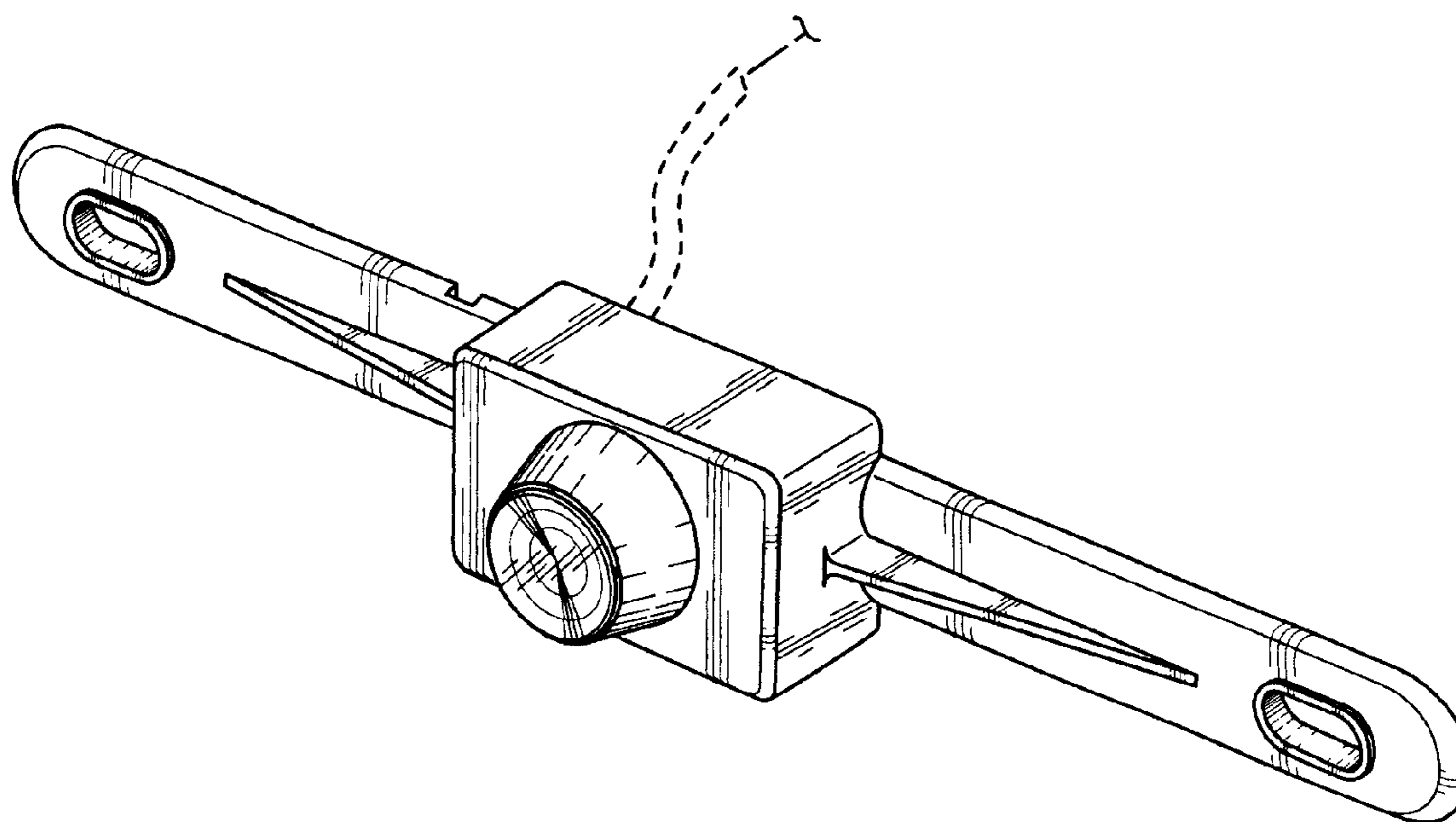
FIG. 5 is a right side view of the mountable camera of FIG. 1.

FIG. 6 is a left side view of the mountable camera of FIG. 1.

FIG. 7 is a top view of the mountable camera of FIG. 1; and, FIG. 8 is a bottom view of the mountable camera of FIG. 1.

The broken line showing of a fragmentary cord is for illustrative purposes only and forms no part of the claimed design.

1 Claim, 3 Drawing Sheets



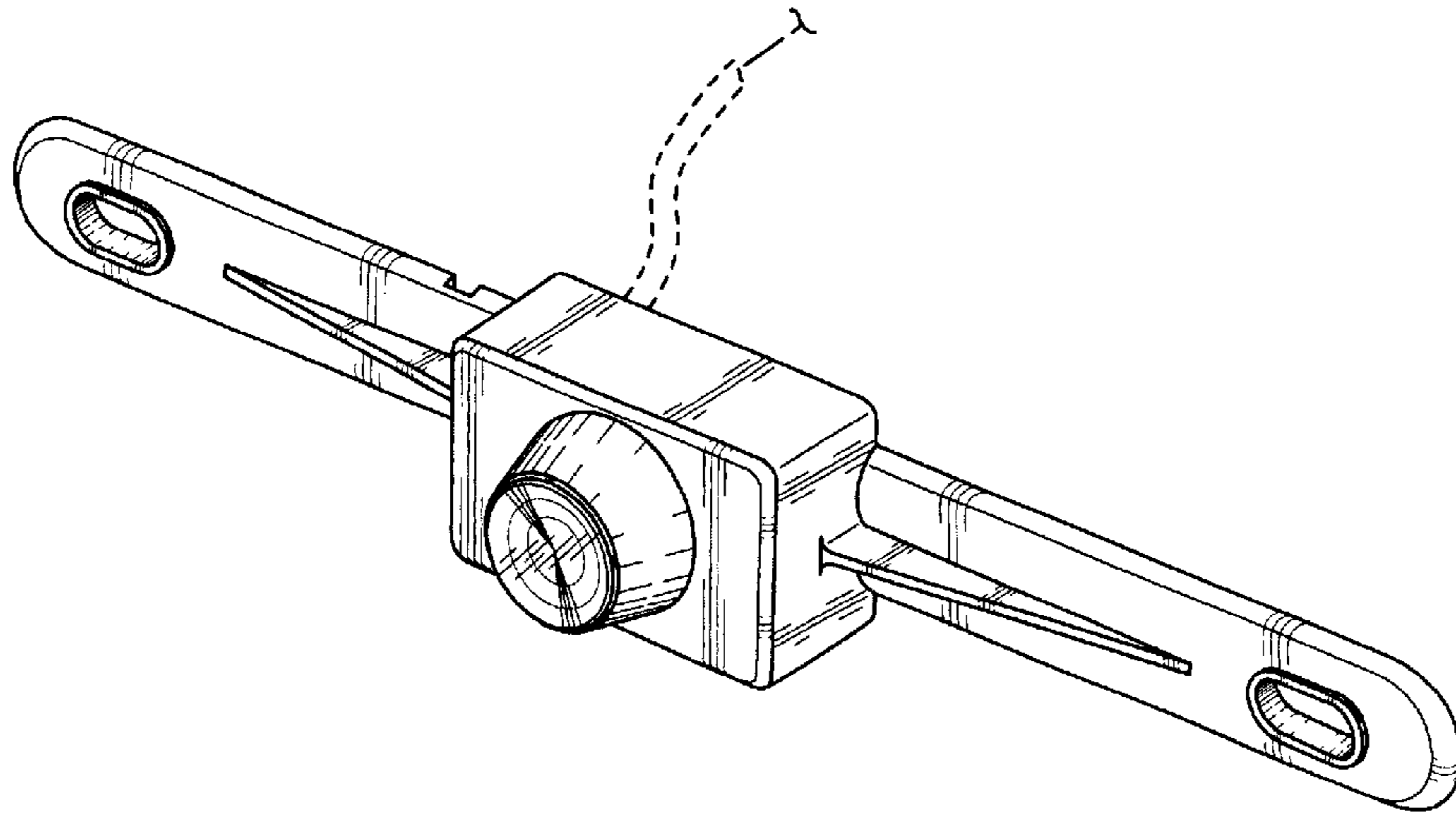


FIG. 1

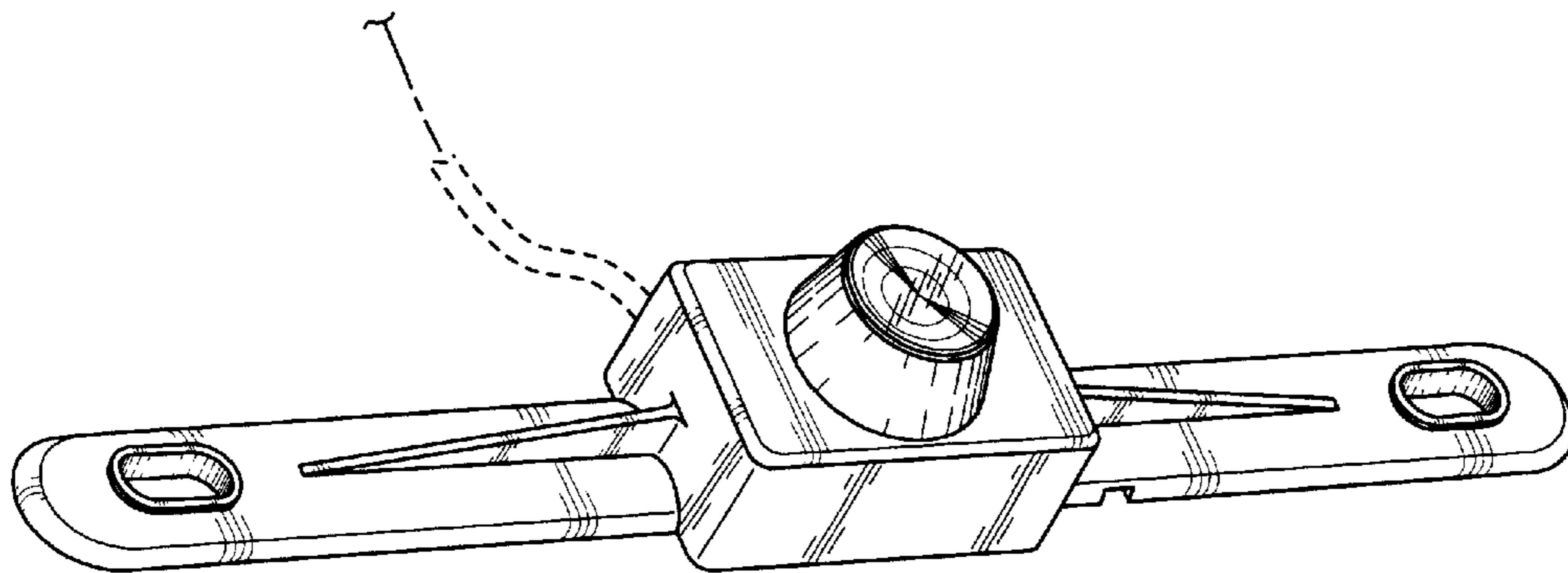


FIG. 2

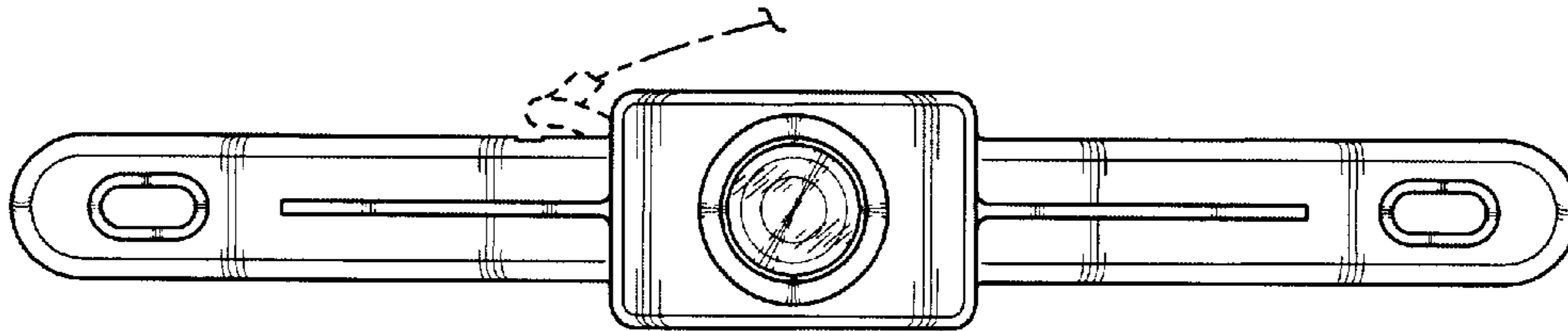


FIG. 3

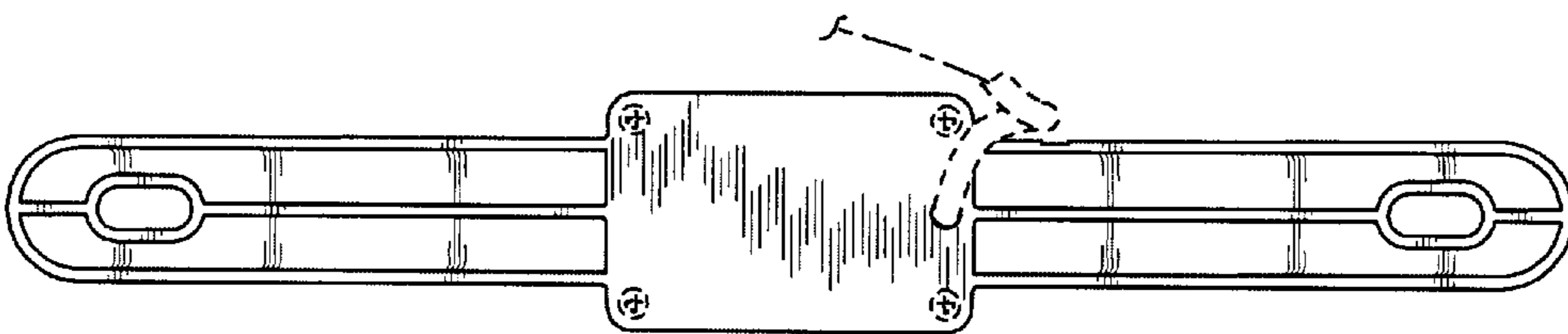


FIG. 4

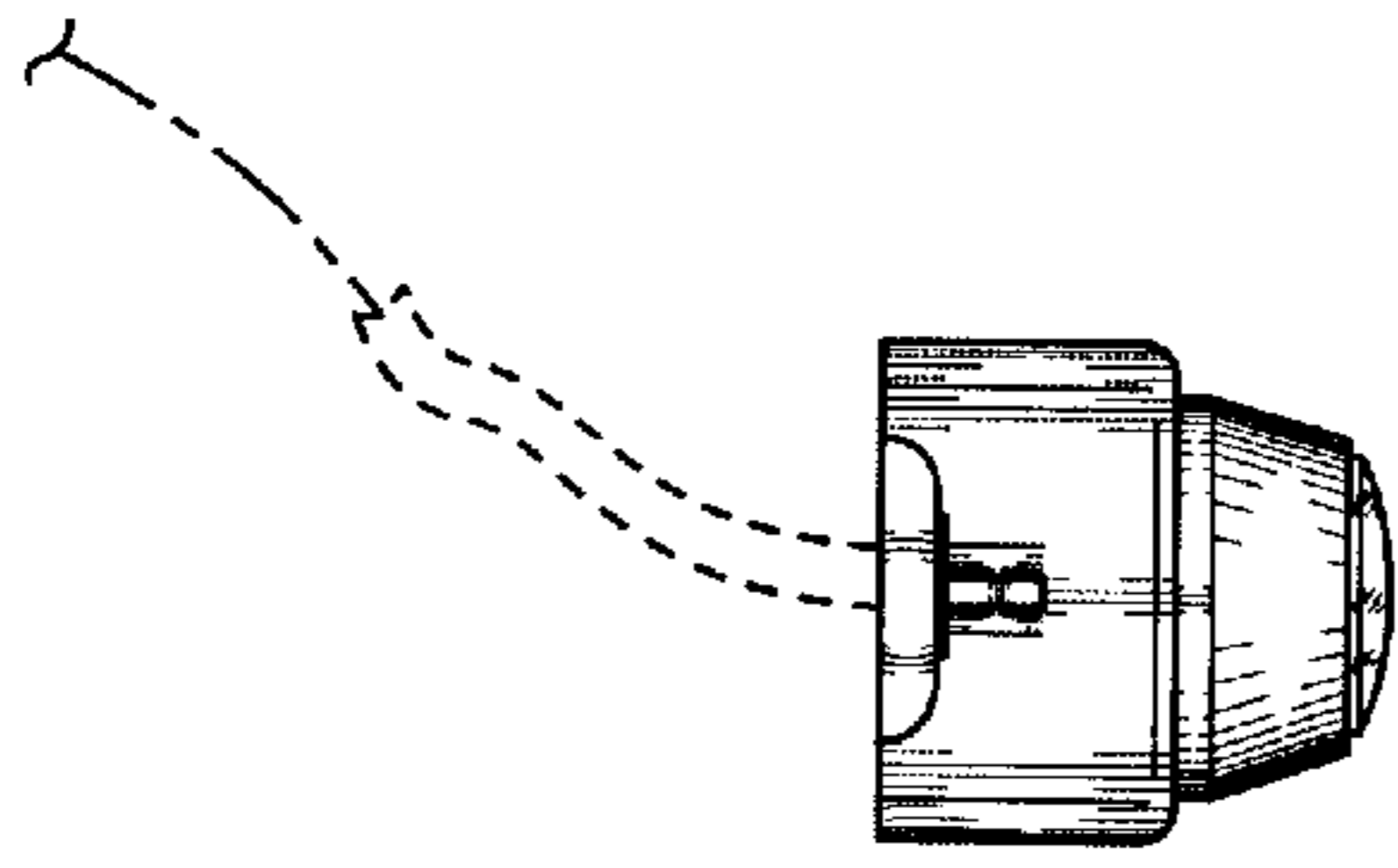


FIG. 5

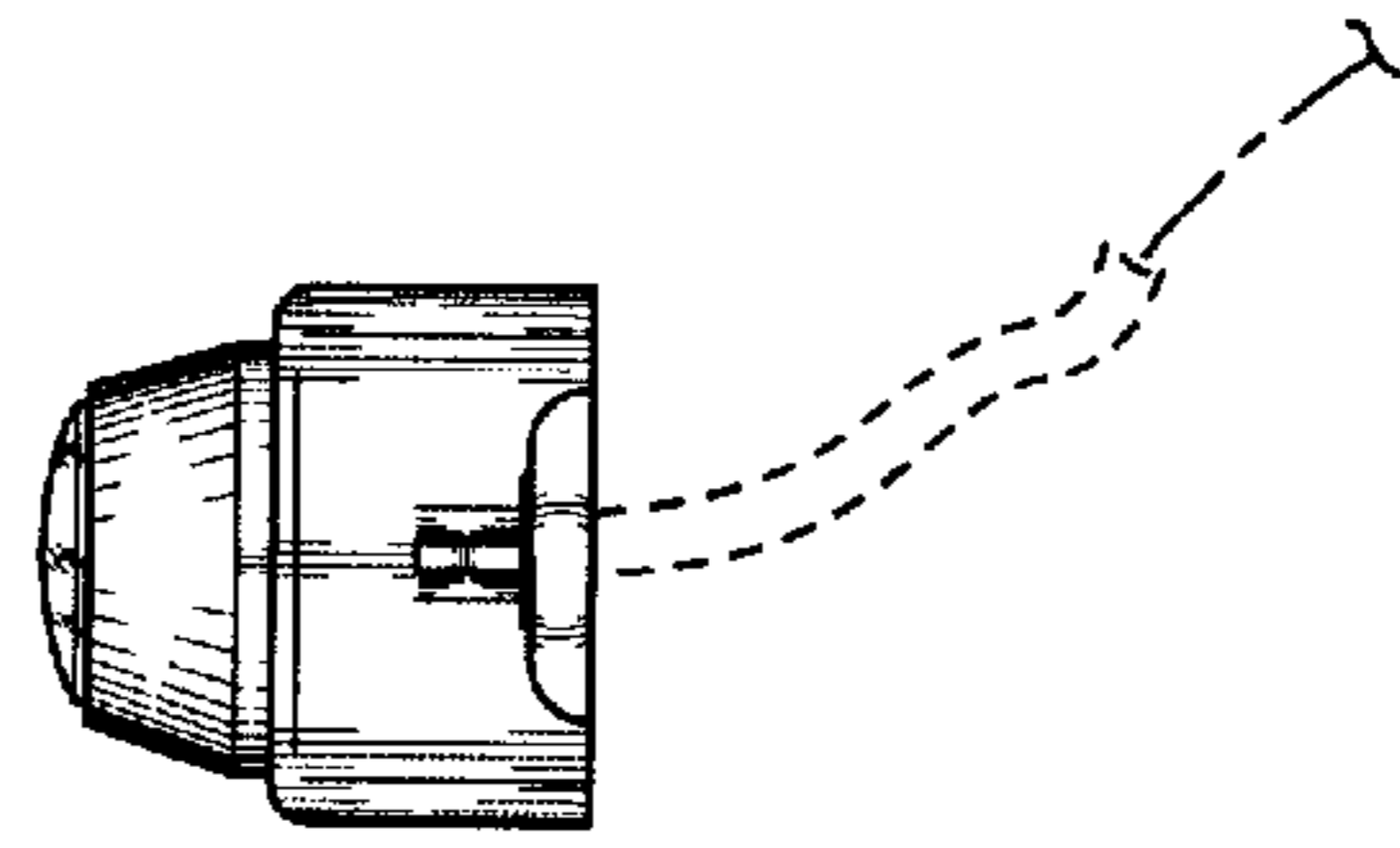


FIG. 6

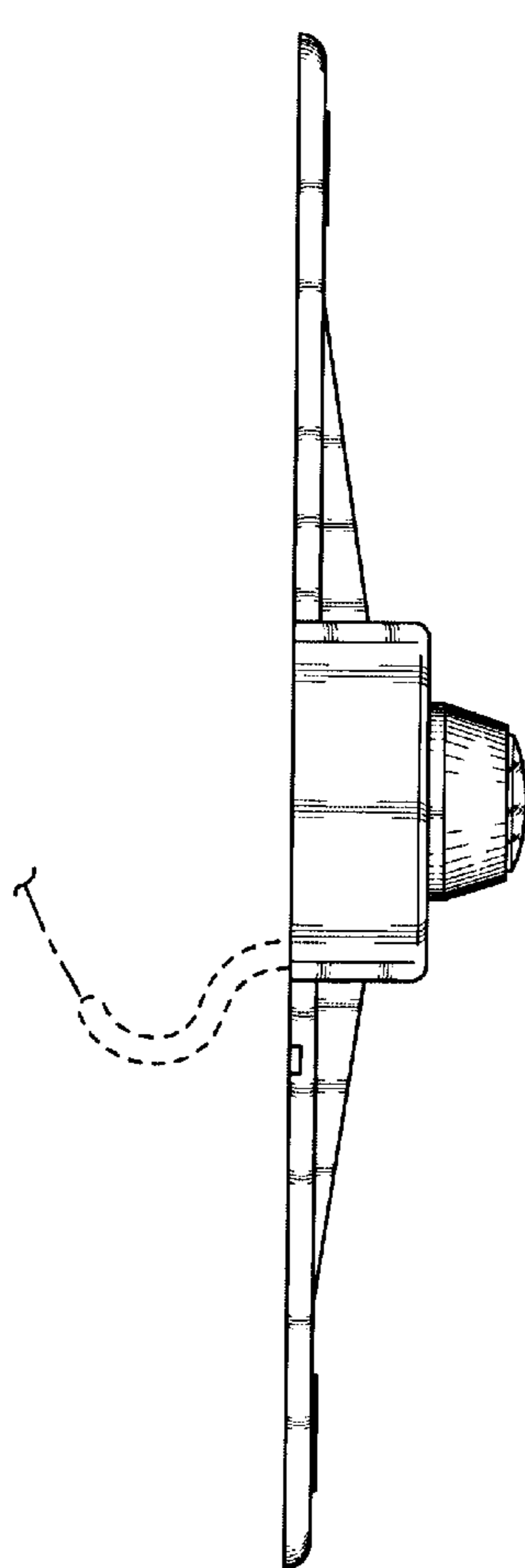


FIG. 7

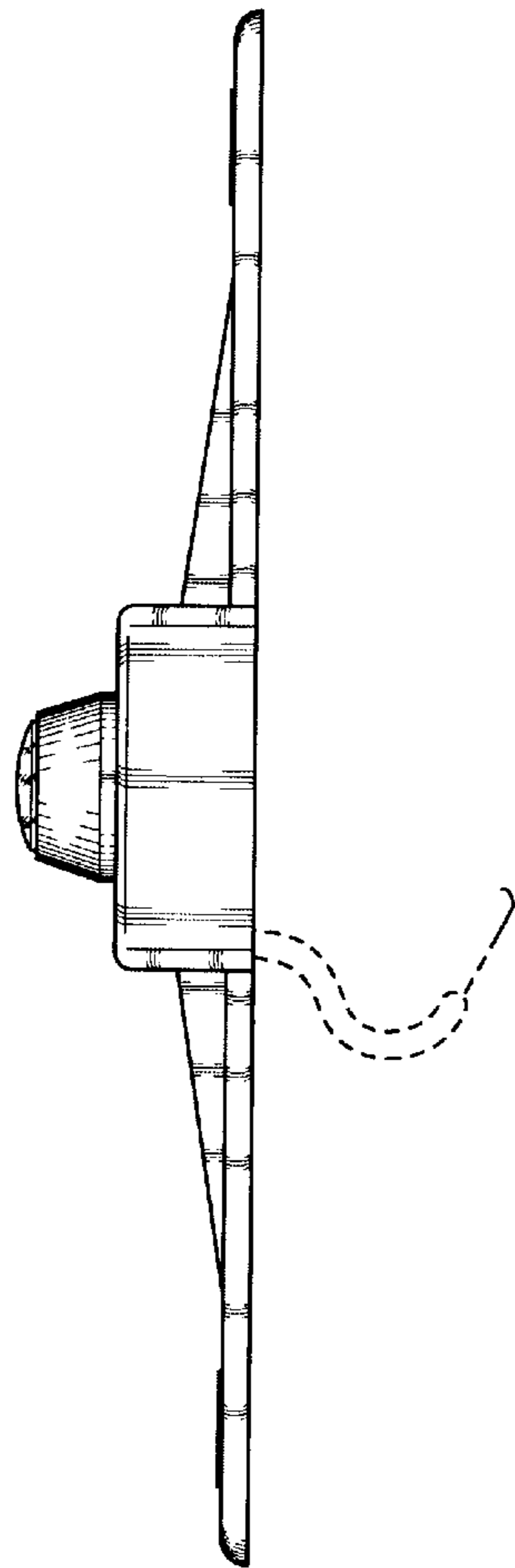


FIG. 8

UNITED STATES PATENT AND TRADEMARK OFFICE
CERTIFICATE OF CORRECTION

PATENT NO. : Des. 535,676 S
APPLICATION NO. : 29/252238
DATED : January 23, 2007
INVENTOR(S) : Maurice S. Dayan

Page 1 of 5

It is certified that error appears in the above-identified patent and that said Letters Patent is hereby corrected as shown below:

The title page showing an illustrative Fig. 1 should be deleted and substitute therefore the attached title page consisting of Fig. 1.

The drawing sheets 1-3 consisting of Fig(s) 1-8 should be deleted and substitute therefore the attached drawing sheets 1-3 of 6 consisting of Fig(s) 1-8.

Signed and Sealed this

Twenty-third Day of September, 2008

A handwritten signature in black ink that reads "Jon W. Dudas". The signature is written in a cursive style with a large, stylized initial "J".

JON W. DUDAS

Director of the United States Patent and Trademark Office

(12) **United States Design Patent**
Dayan

(10) **Patent No.:** **US D535,676 S**
(45) **Date of Patent:** **** Jan. 23, 2007**

(54) **MOUNTABLE CAMERA**
(75) **Inventor:** **Maurice S. Dayan, Oakhurst, NJ (US)**
(73) **Assignee:** **Intellectual Solutions, Inc.**
(**) **Term:** **14 Years**
(21) **Appl. No.:** **29/252,238**
(22) **Filed:** **Jan. 20, 2006**

2006/0061655 A1 * 3/2006 Wang 348/148

* cited by examiner

Primary Examiner—Adir Aronovich

(74) *Attorney, Agent, or Firm*—Wolf, block, Schorr and Solis-Cohen, LLP

(57) **CLAIM**

The ornamental design for a mountable camera, as shown and described.

DESCRIPTION

FIG. 1 is a front perspective view of a mountable camera showing my design.

FIG. 2 is a bottom perspective view of the mountable camera of FIG. 1.

FIG. 3 is a front view of the mountable camera of FIG. 1.

FIG. 4 is a rear view of the mountable camera of FIG. 1.

FIG. 5 is a right side view of the mountable camera of FIG. 1.

FIG. 6 is a left side view of the mountable camera of FIG. 1.

FIG. 7 is a top view of the mountable camera of FIG. 1; and, FIG. 8 is a bottom view of the mountable camera of FIG. 1.

The broken line showing of a fragmentary cord is for illustrative purposes only and forms no part of the claimed design.

1 Claim, 3 Drawing Sheets

(51) **LOC (8) Cl.** **16-01**

(52) **U.S. Cl.** **D16/218; D16/208**

(58) **Field of Classification Search** **D16/200-204, D16/208, 211, 218, 219, 237; 248/176.1, 248/917, 918; 340/436; 348/118, 148, 152, 348/373; 396/419, 429, 535, 540, 541**
See application file for complete search history.

(56) **References Cited**

U.S. PATENT DOCUMENTS

5,574,443 A * 11/1996 Hsieh 348/118
D378,095 S * 2/1997 Hasegawa D16/203
6,175,300 B1 * 1/2001 Kendrick 340/436
D484,161 S * 12/2003 Mendoza D16/208
D487,104 S * 2/2004 Obata D16/202
D506,215 S * 6/2005 Lin et al. D16/218

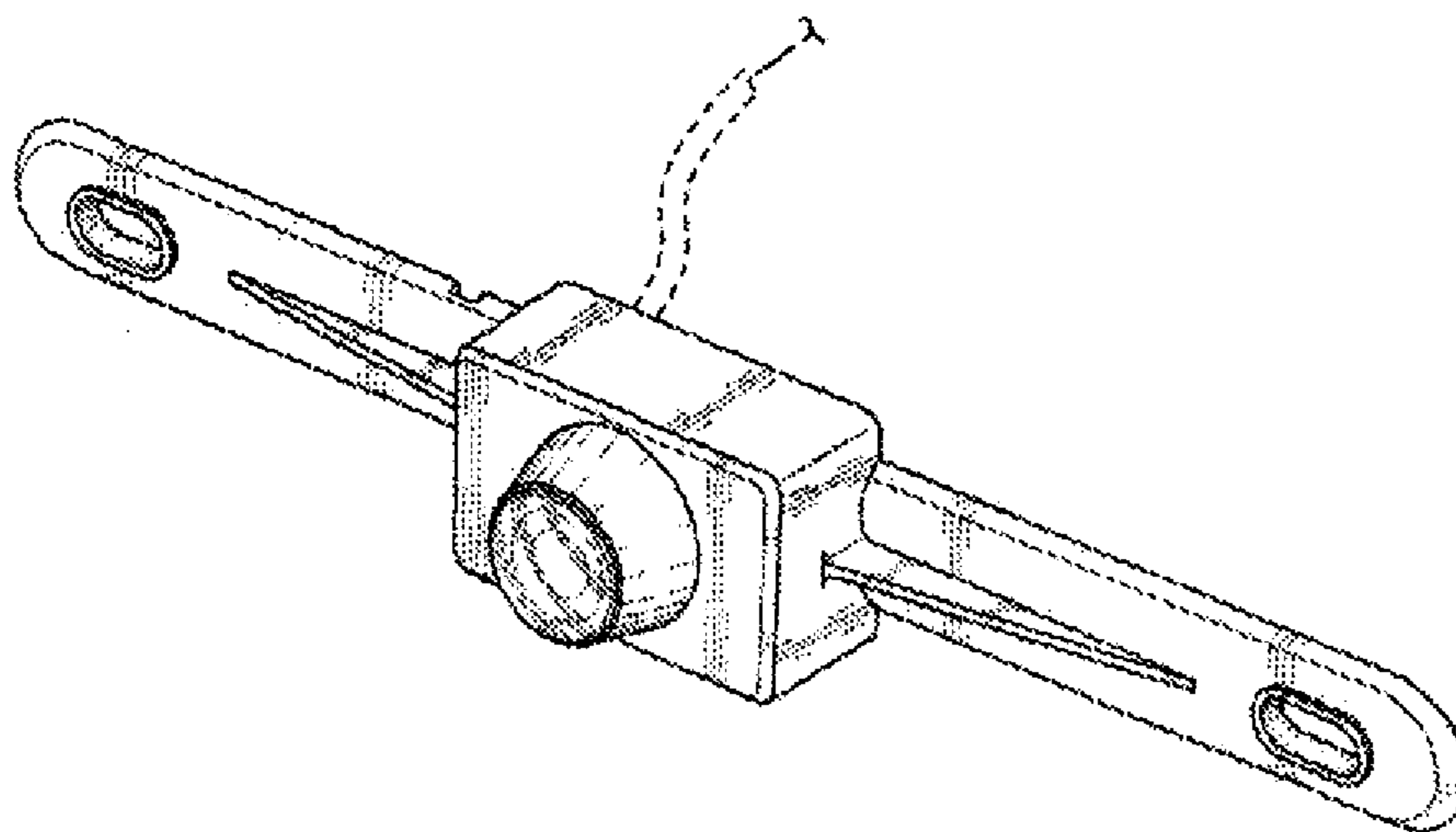


FIG. 1

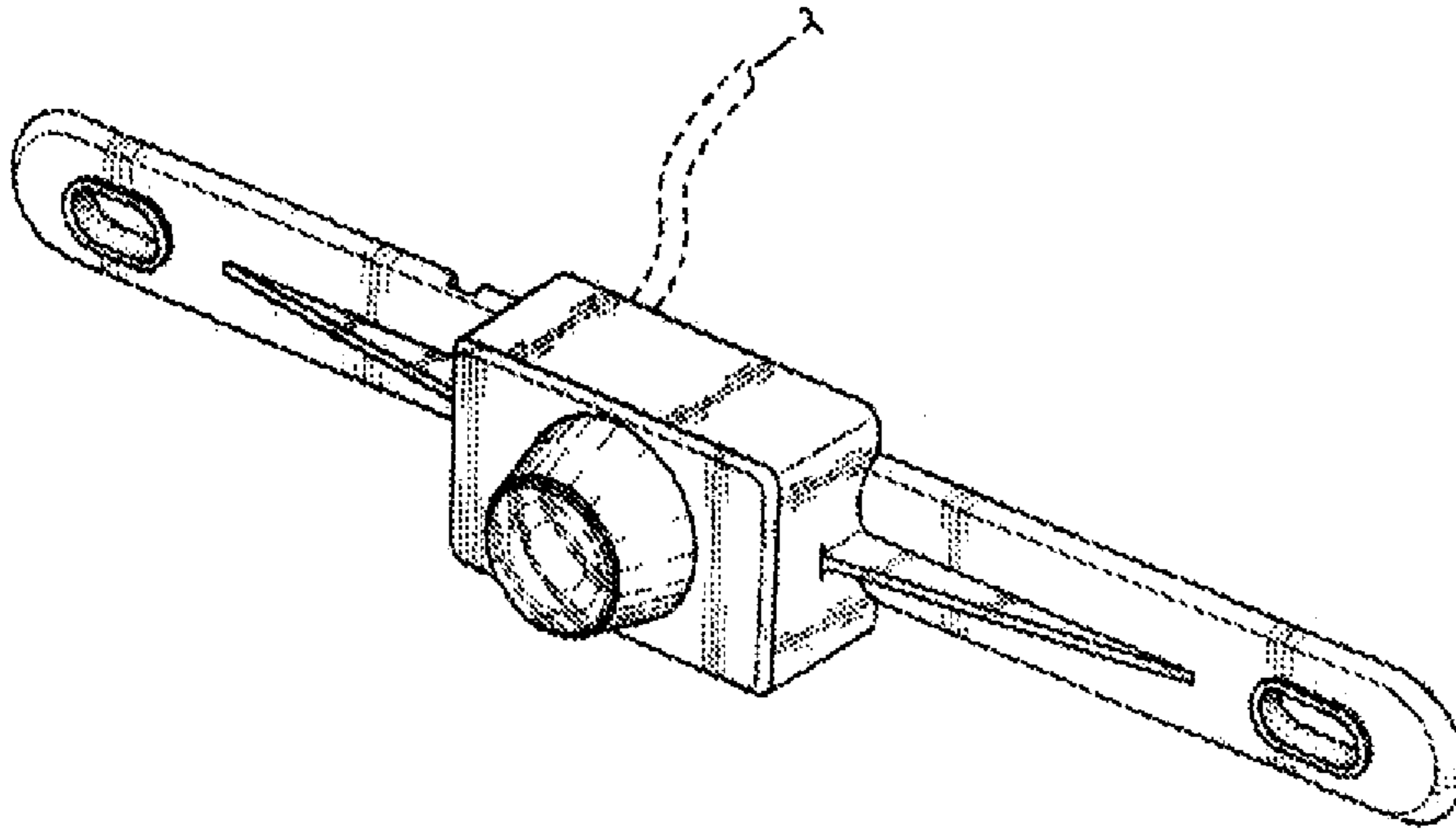


FIG. 1

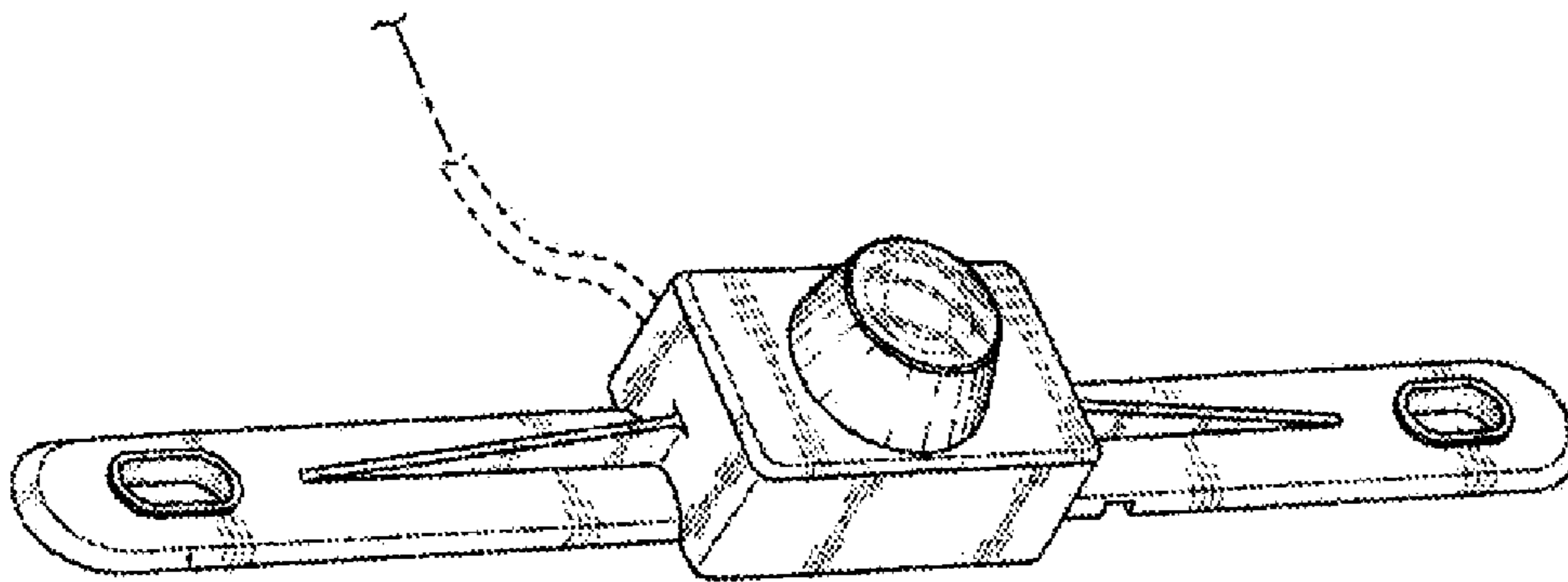


FIG. 2

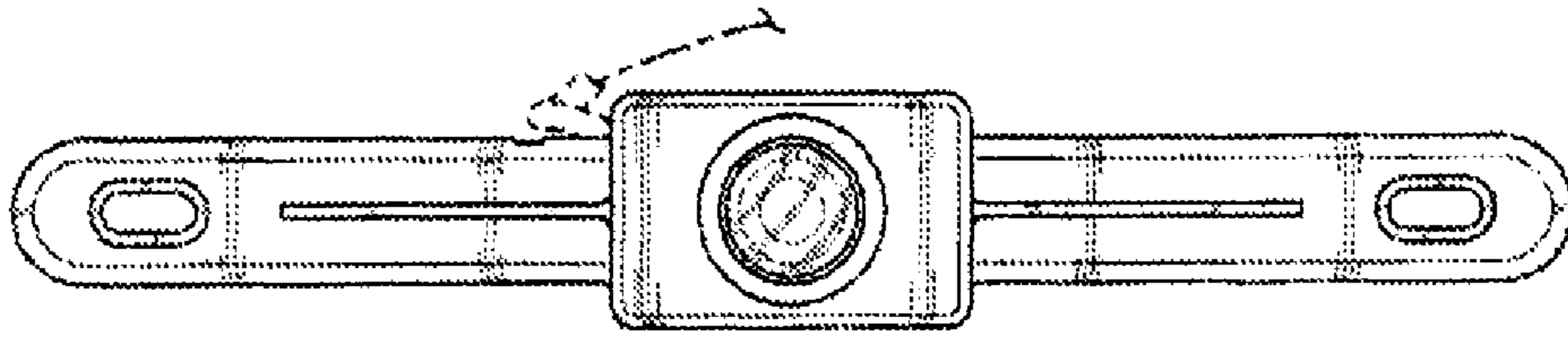


FIG. 3

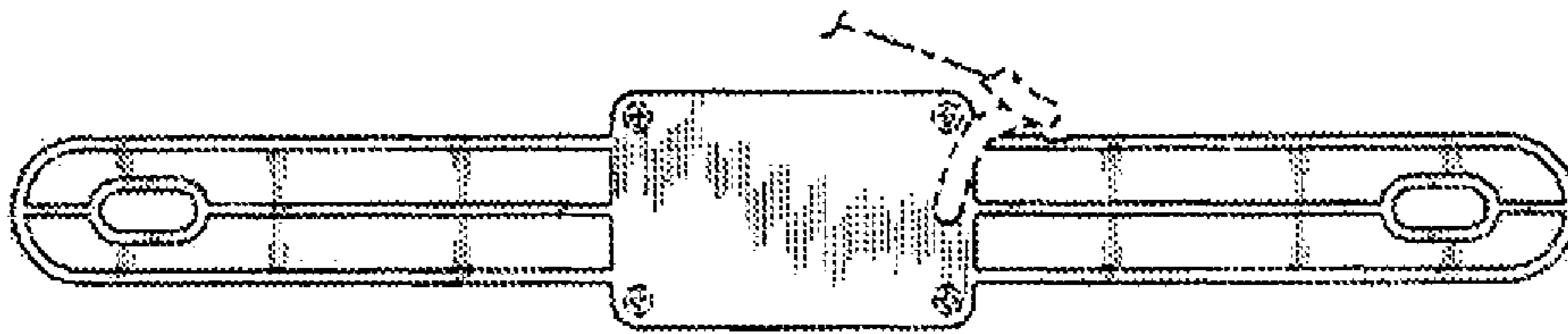


FIG. 4

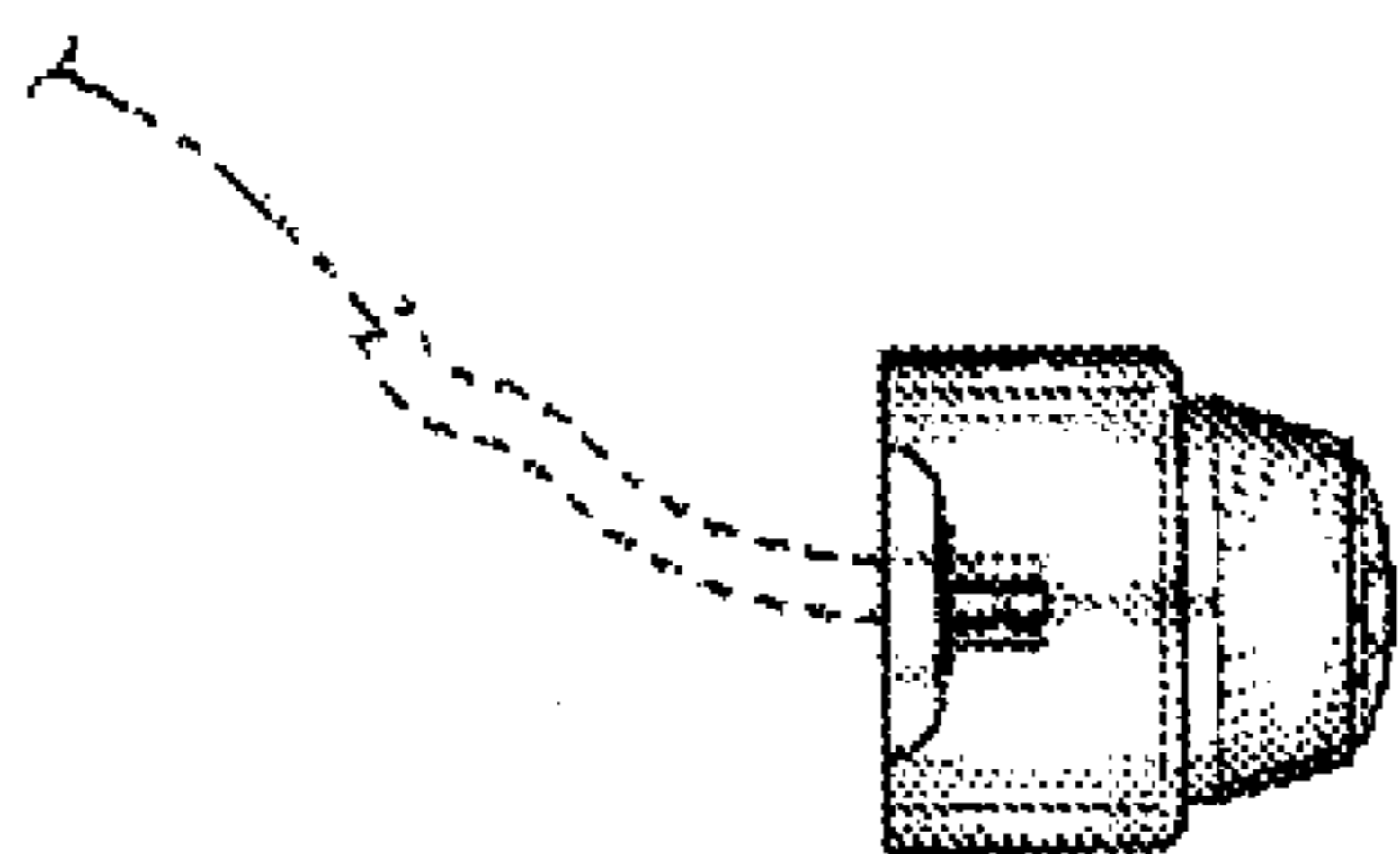


FIG. 5

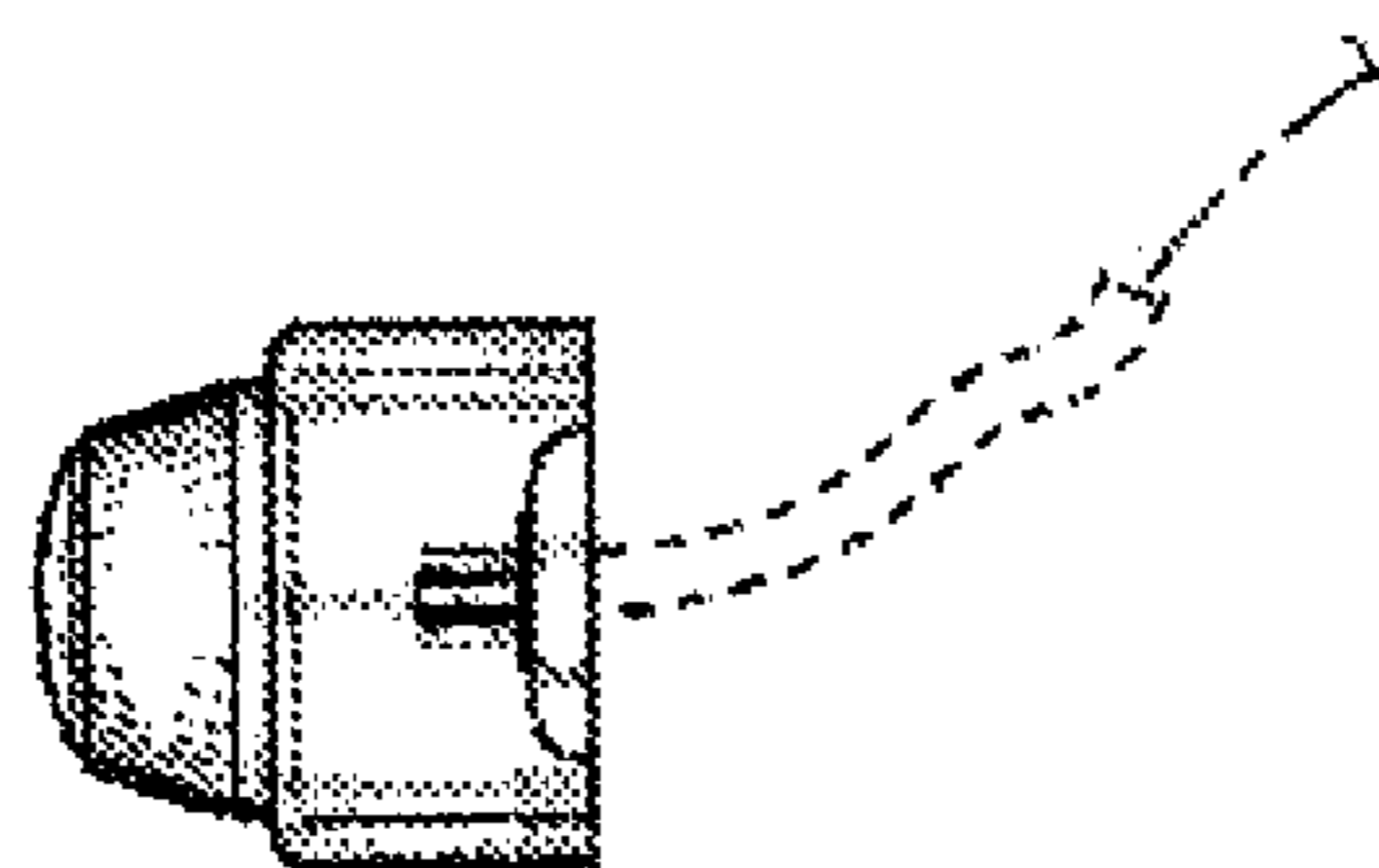


FIG. 6

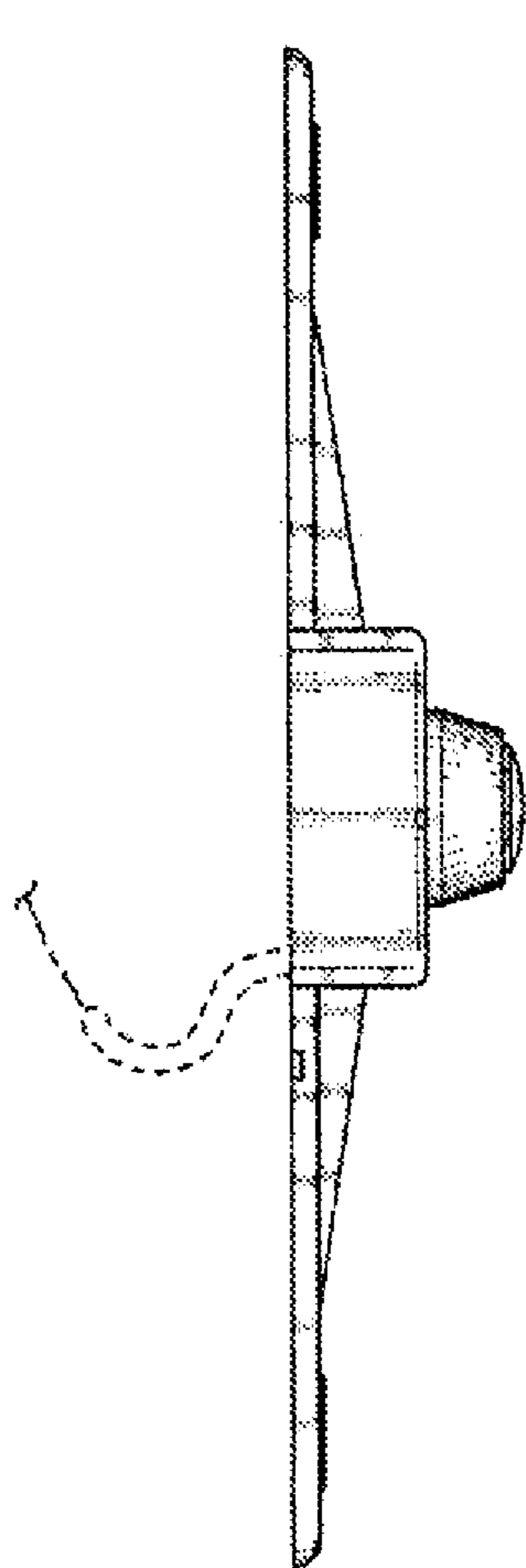


FIG. 7

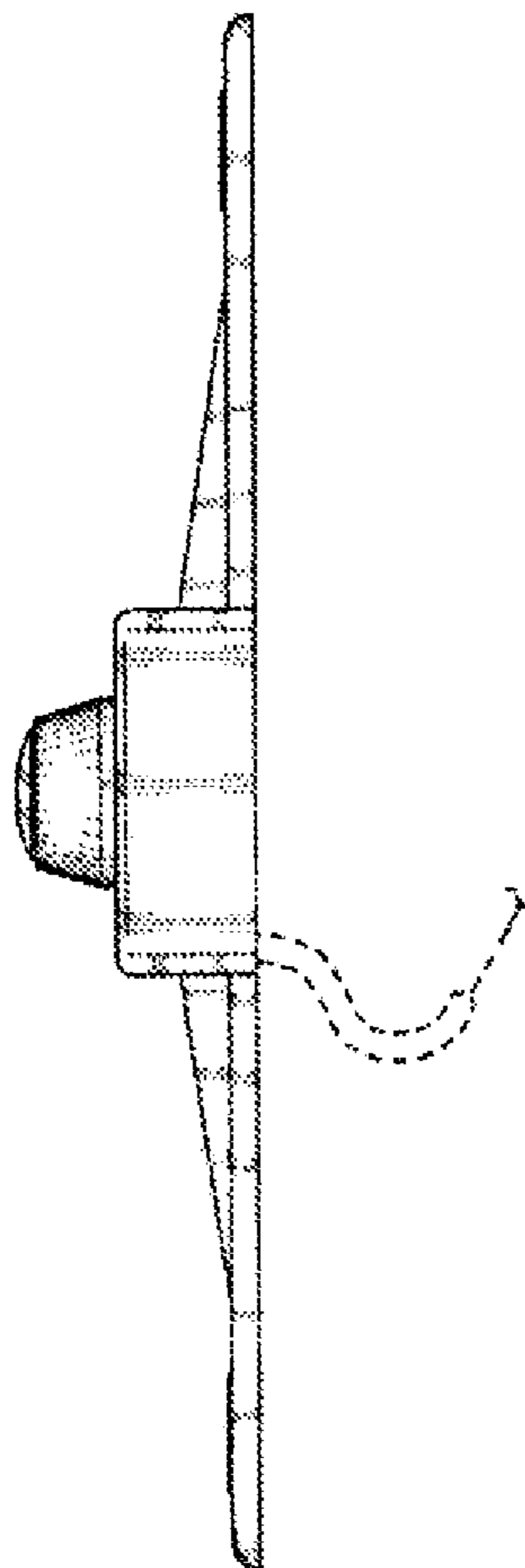


FIG. 8