



US00D535673S

(12) **United States Design Patent**
Conway et al.

(10) **Patent No.:** **US D535,673 S**

(45) **Date of Patent:** **** Jan. 23, 2007**

(54) **GAS DISTRIBUTOR FOR A PLASMA ARC TORCH**

D497,373 S * 10/2004 Hewett et al. D15/144
6,914,211 B2 * 7/2005 Brasseur et al. 219/121.5
D519,135 S * 4/2006 Conway et al. D15/139

(75) Inventors: **Christopher J. Conway**, Wilmot, NH (US); **Darrin H. MacKenzie**, Windsor, VT (US)

* cited by examiner

(73) Assignee: **Thermal Dynamics Corporation**, West Lebanon, NH (US)

Primary Examiner—Antoine D. Davis

Assistant Examiner—Patricia Palasik

(74) *Attorney, Agent, or Firm*—Harness, Dickey & Pierce, P.L.C.

(**) Term: **14 Years**

(57) **CLAIM**

(21) Appl. No.: **29/197,676**

The ornamental design for a gas distributor for a plasma arc torch, as shown and described.

(22) Filed: **Jan. 16, 2004**

(51) **LOC (8) Cl.** **15-09**

(52) **U.S. Cl.** **D15/144**

(58) **Field of Classification Search** D8/29.1, D8/30; D15/139, 144–144.2; 219/74, 75, 219/121.36, 121.39, 121.44–121.55, 121.49, 219/121.59; 313/231.31, 298.21, 298.31
See application file for complete search history.

DESCRIPTION

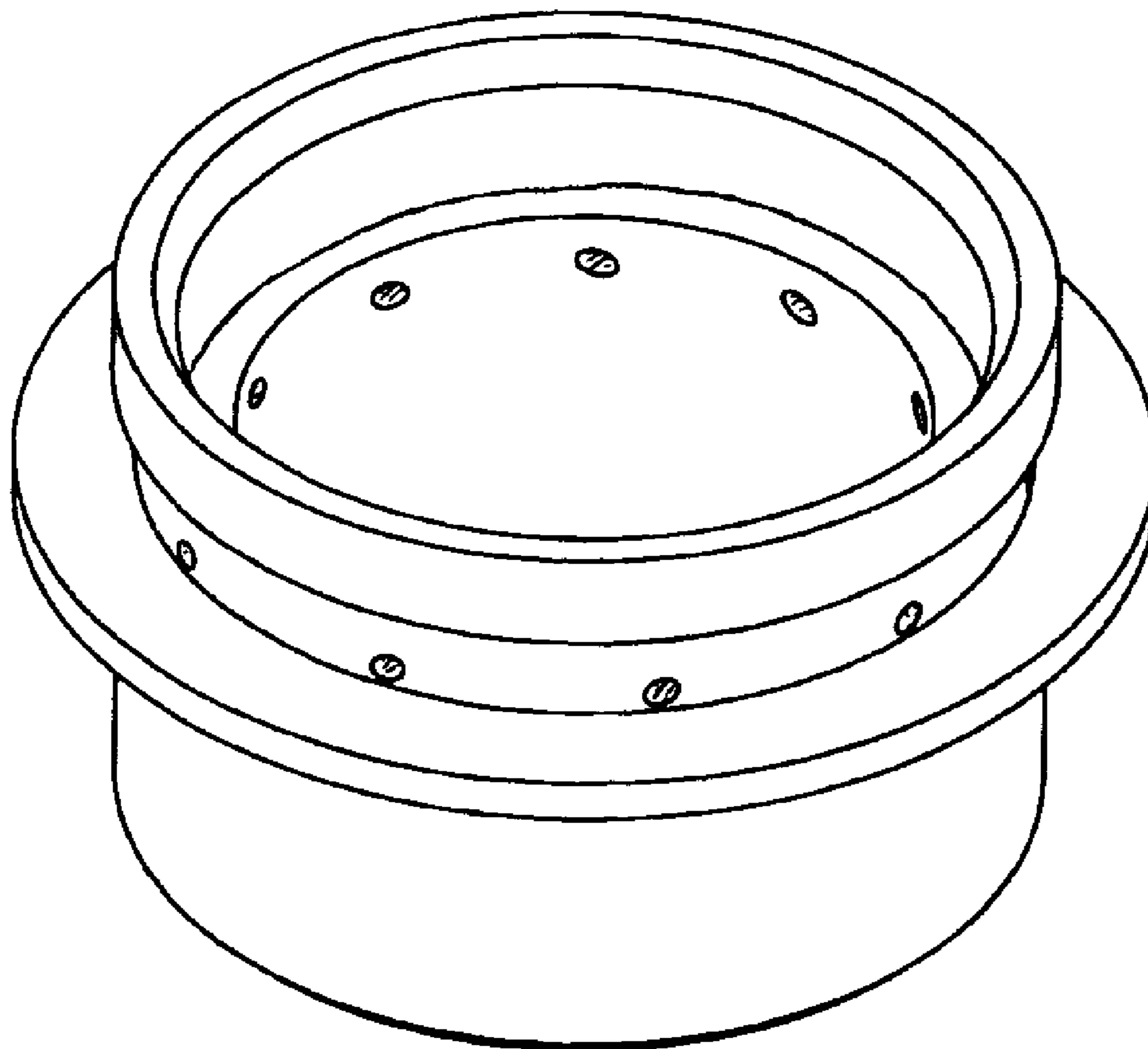
FIG. 1 is a perspective view of the gas distributor for a plasma arch torch;
FIG. 2 is a perspective view from the distal end thereof;
FIG. 3 is a perspective view from the proximal end thereof;
FIG. 4 is a side elevation view thereof;
FIG. 5 is a top plan view thereof; and,
FIG. 6 is a bottom plan view thereof.

(56) **References Cited**

U.S. PATENT DOCUMENTS

3,995,186 A * 11/1976 Kaminsky et al. 313/231.41

1 Claim, 6 Drawing Sheets



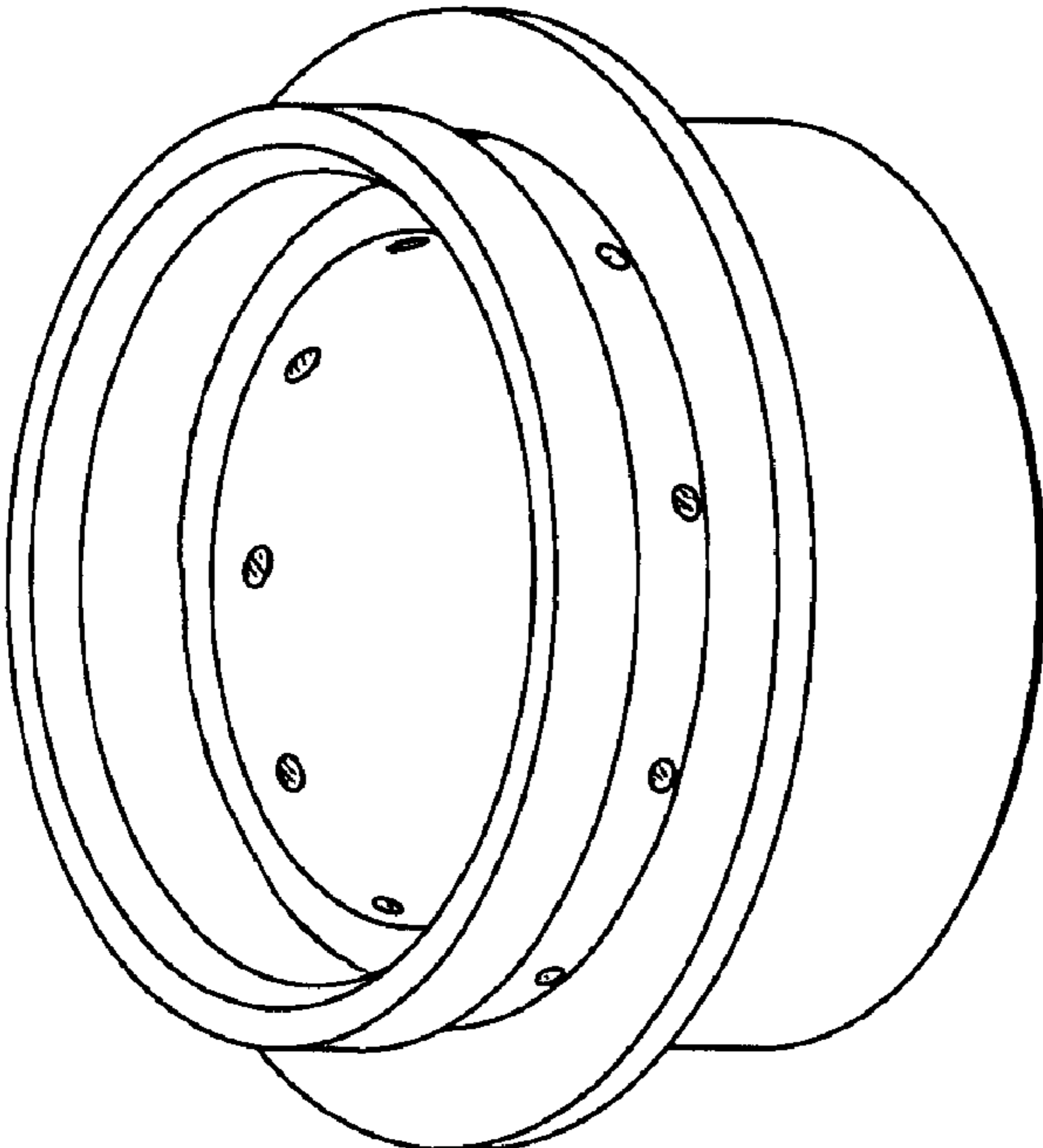


FIG. 1

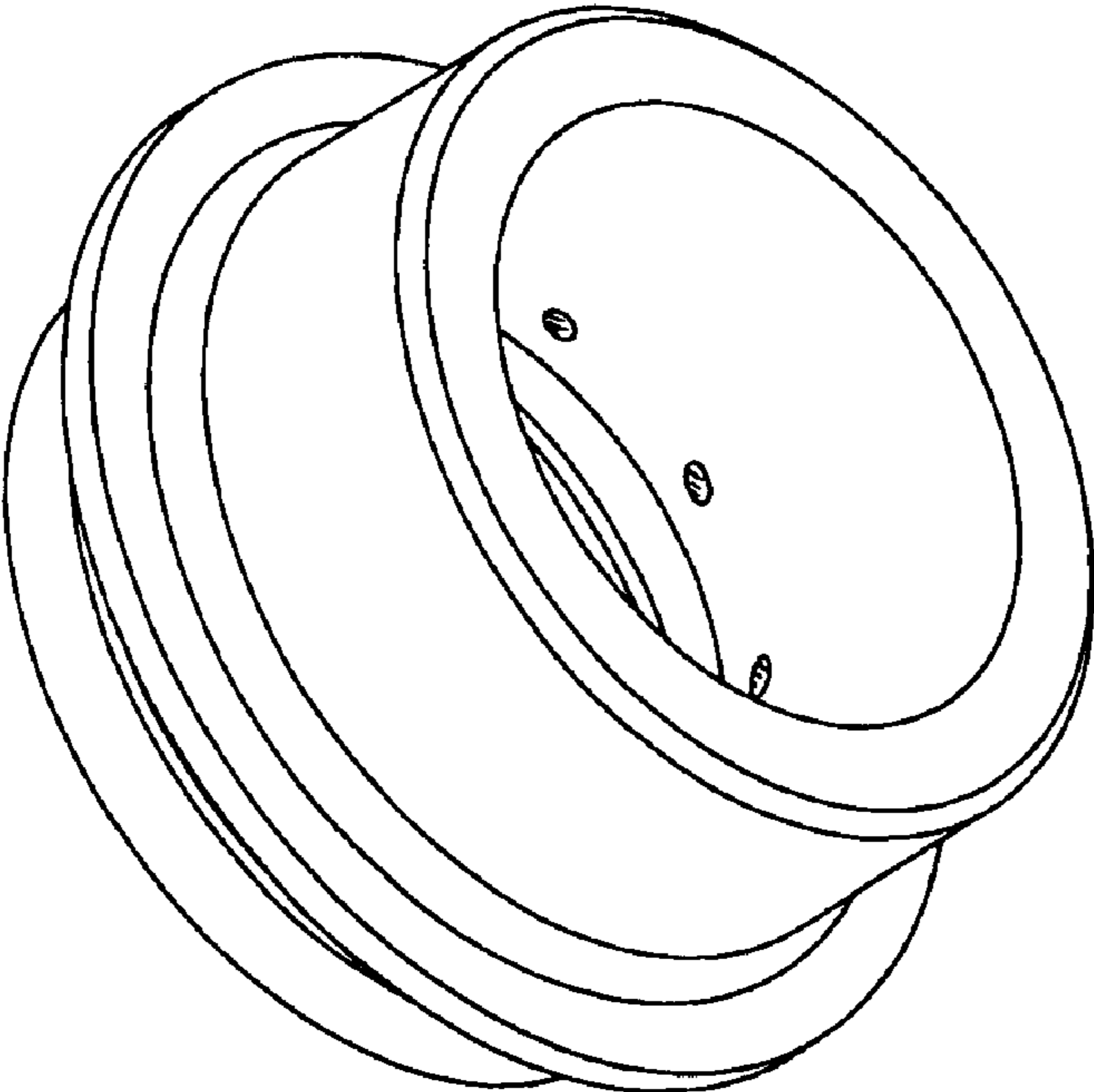


FIG. 2

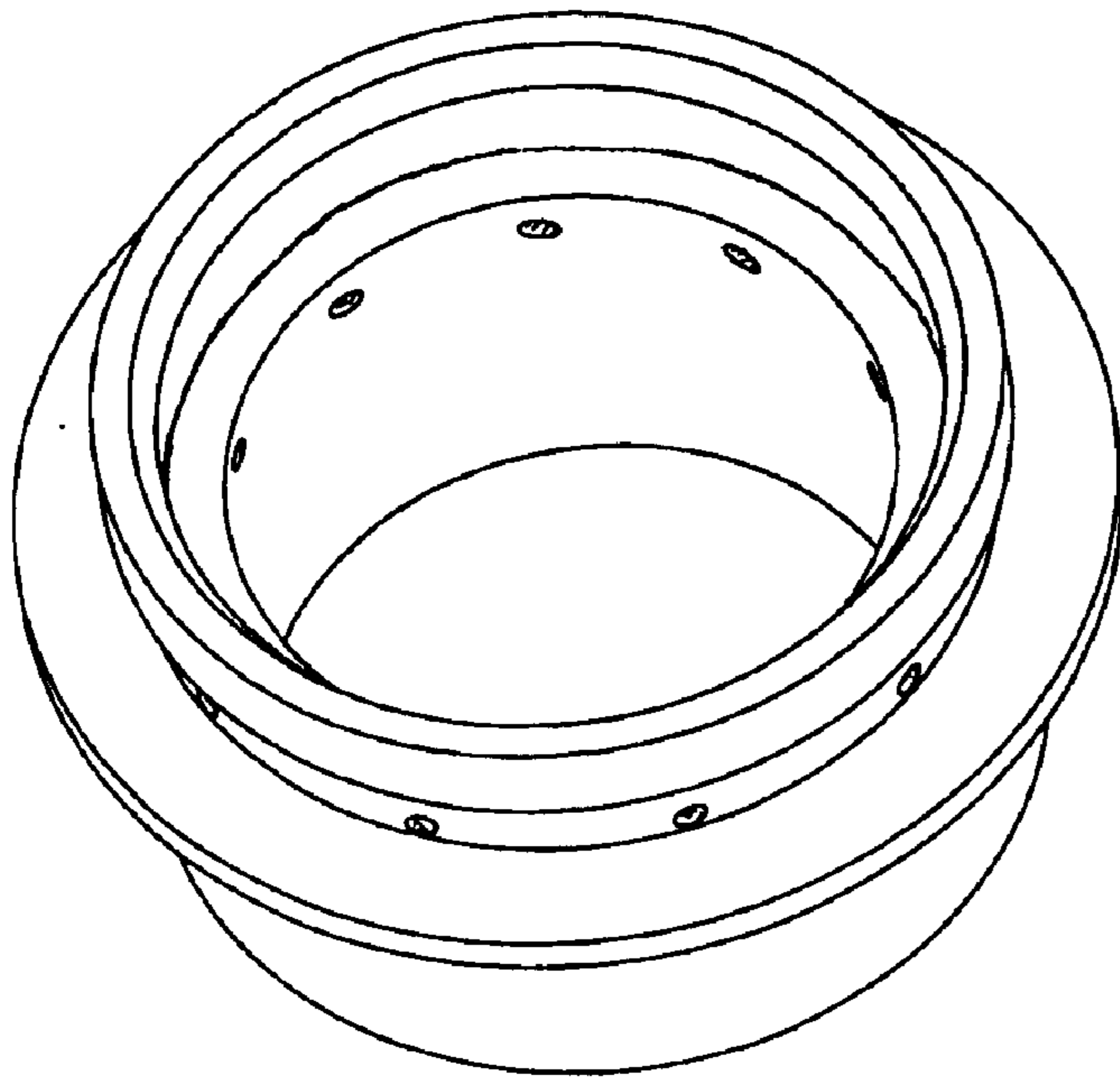


FIG. 3

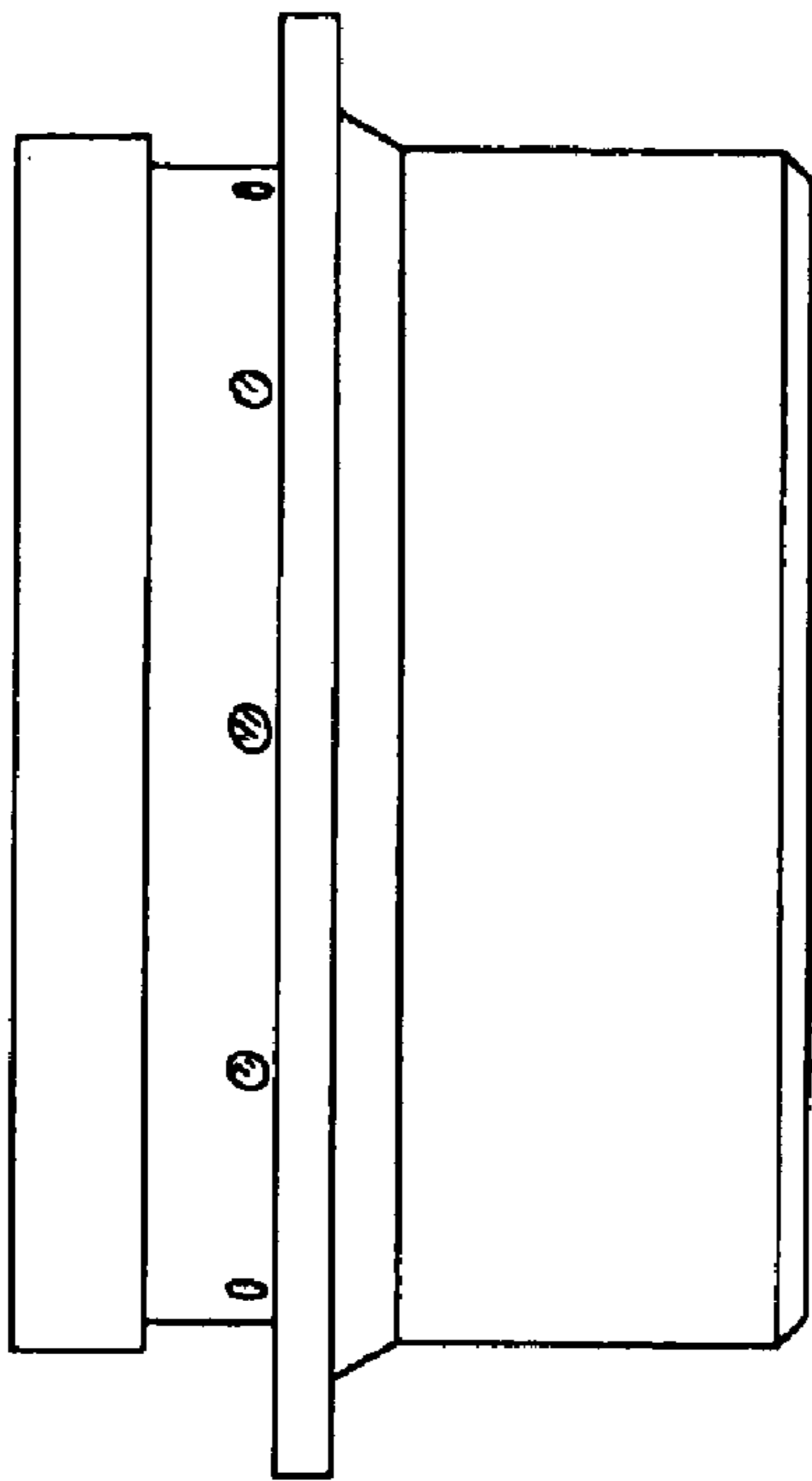


FIG. 4

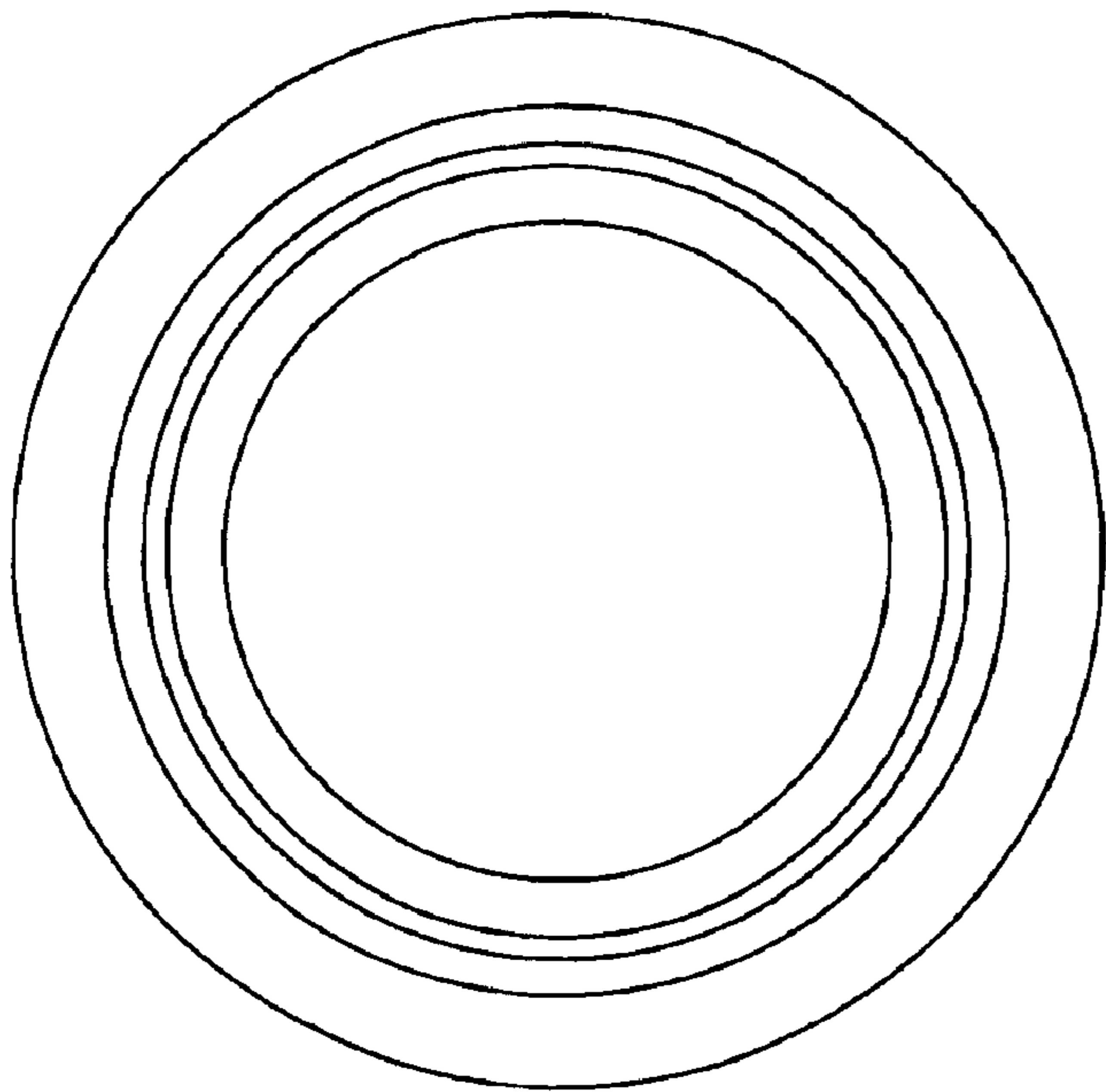


FIG. 5

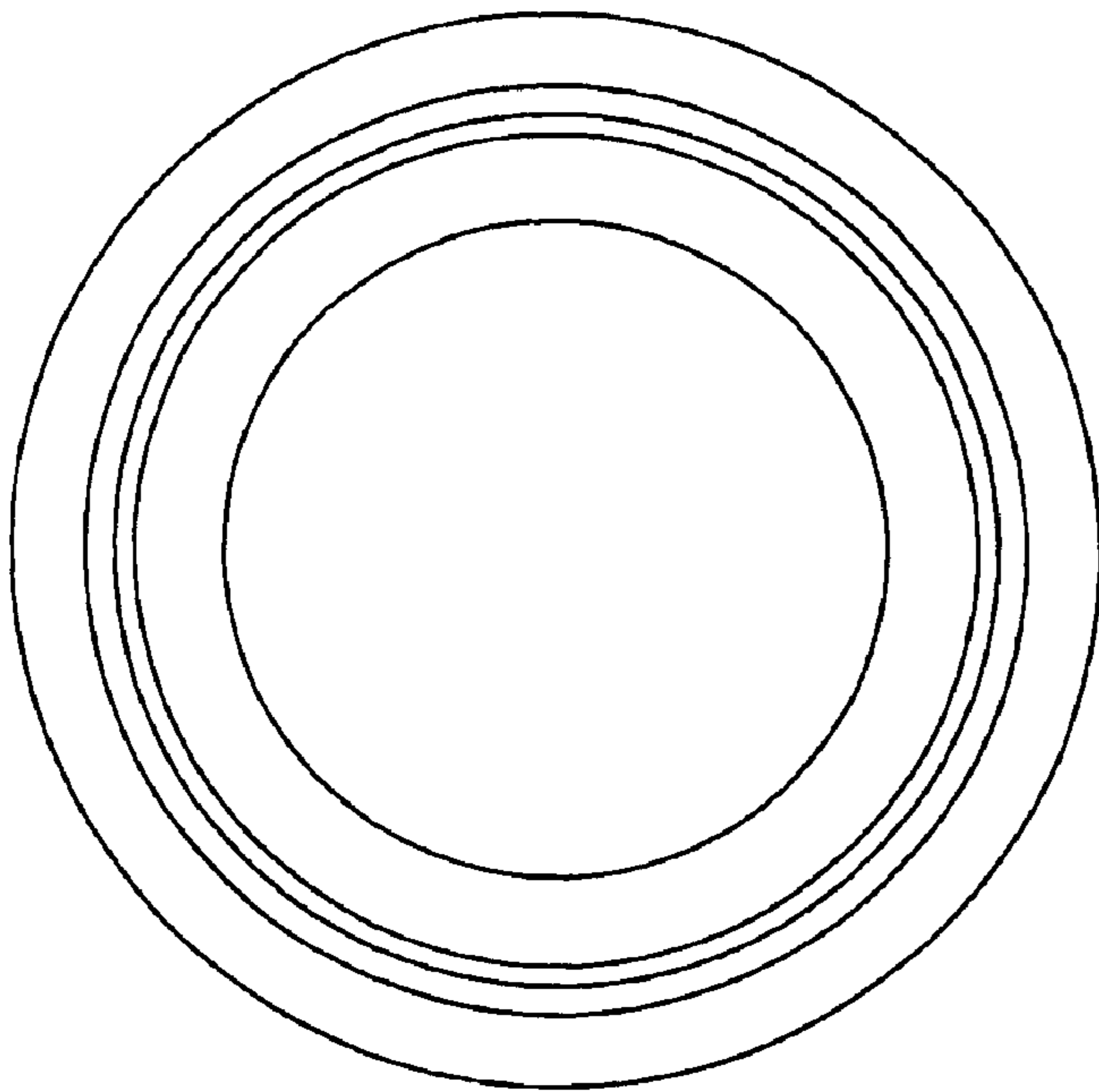


FIG. 6