



US00D535672S

(12) **United States Design Patent**
MacKenzie et al.

(10) **Patent No.:** **US D535,672 S**

(45) **Date of Patent:** **** Jan. 23, 2007**

(54) **CARTRIDGE BODY FOR A PLASMA ARC TORCH**

D505,963 S * 6/2005 Conway et al. D15/139
D517,576 S * 3/2006 Conway et al. D15/144
D517,577 S * 3/2006 Conway et al. D15/144
D522,026 S * 5/2006 Colson, Jr. D15/144

(75) Inventors: **Darrin H. MacKenzie**, Windsor, VT (US); **Christopher J. Conway**, Wilmot, NH (US); **Kevin J. Kinerson**, Corinth, VT (US); **Mark Gugliotta**, Concord, NH (US)

* cited by examiner

(73) Assignee: **Thermal Dynamics Corporation**, West Lebanon, NH (US)

Primary Examiner—Antoine D. Davis
Assistant Examiner—Patricia Palasik
(74) *Attorney, Agent, or Firm*—Harness, Dickey & Pierce P.L.C.

(**) Term: **14 Years**

(57) **CLAIM**

(21) Appl. No.: **29/197,674**

The ornamental design for a cartridge body for a plasma arc torch, as shown and described.

(22) Filed: **Jan. 16, 2004**

DESCRIPTION

(51) **LOC (8) Cl.** **15-09**

(52) **U.S. Cl.** **D15/144**

(58) **Field of Classification Search** D8/29.1, D8/30; D15/139, 144–144.2; 219/74, 75, 219/121.36, 121.39, 121.44–121.55, 121.49, 219/121.59; 313/231.31, 298.21, 298.31
See application file for complete search history.

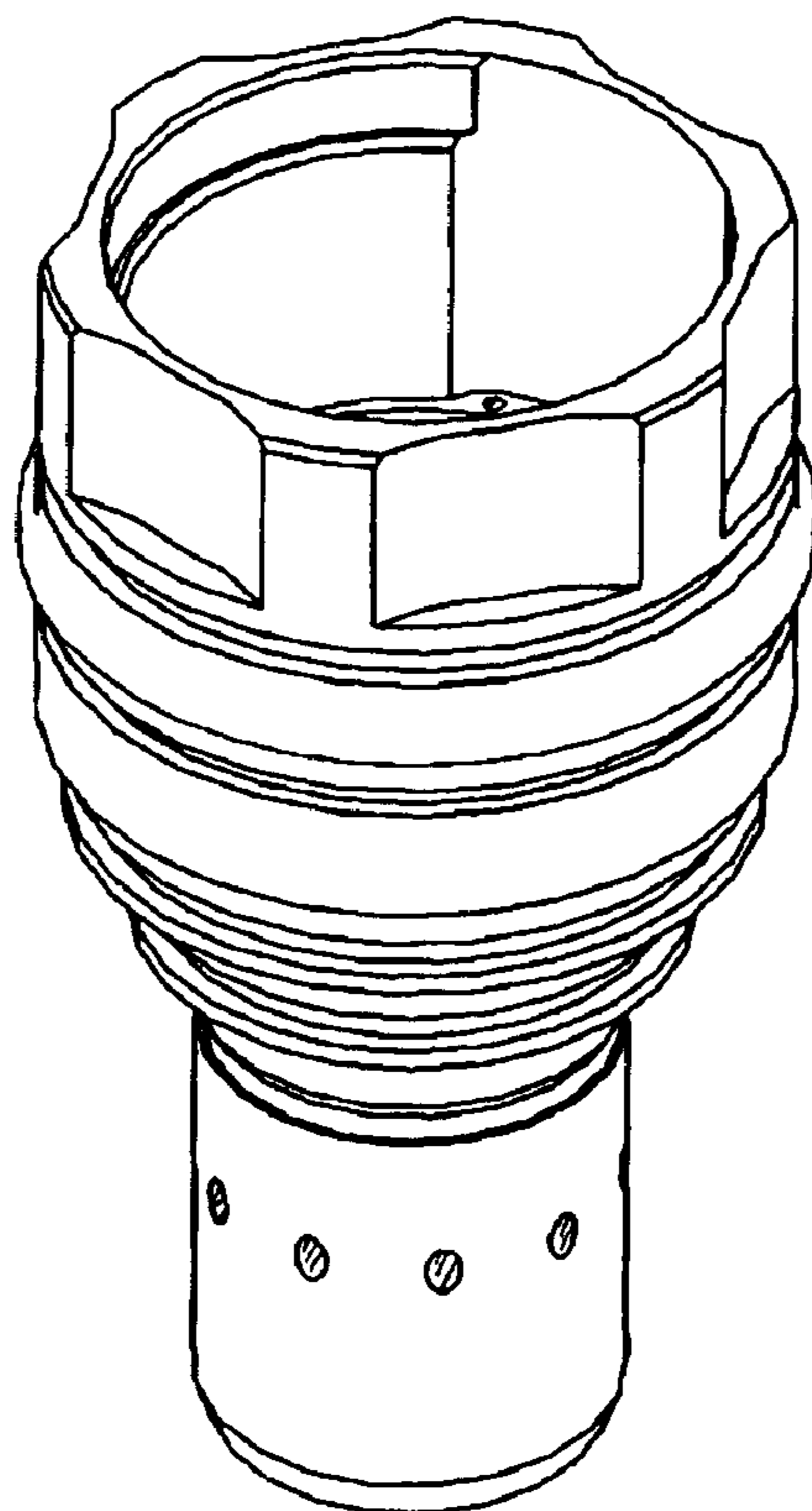
FIG. 1 is a perspective view of the cartridge body for a plasma arc torch;
FIG. 2 is a perspective view from the distal end thereof;
FIG. 3 is a perspective view from the proximal end thereof;
FIG. 4 is a side elevation view thereof;
FIG. 5 is a top plan view thereof; and,
FIG. 6 is a bottom plan view thereof.

(56) **References Cited**

U.S. PATENT DOCUMENTS

D496,376 S * 9/2004 Colson, Jr. D15/144

1 Claim, 6 Drawing Sheets



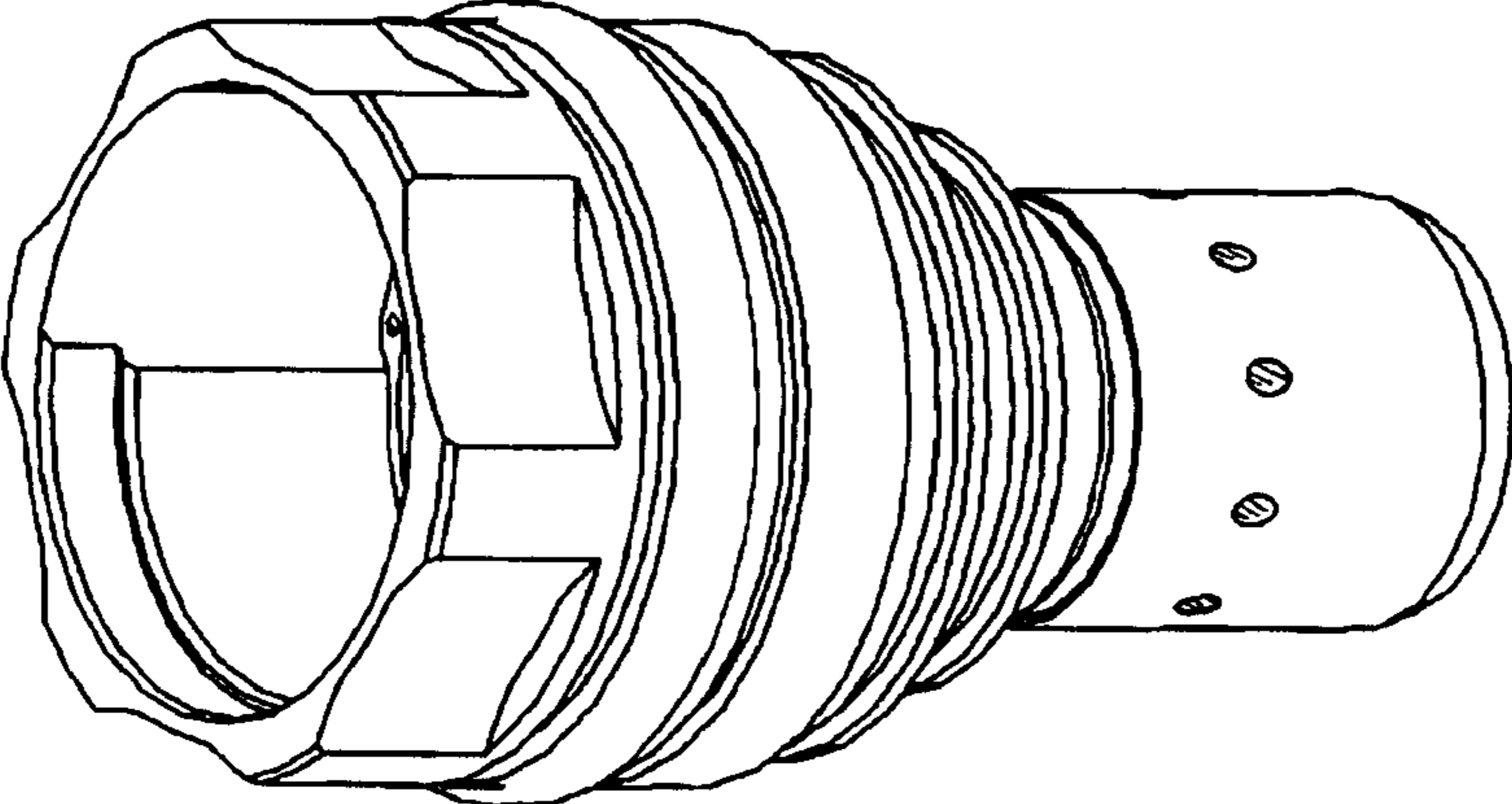


FIG. 1

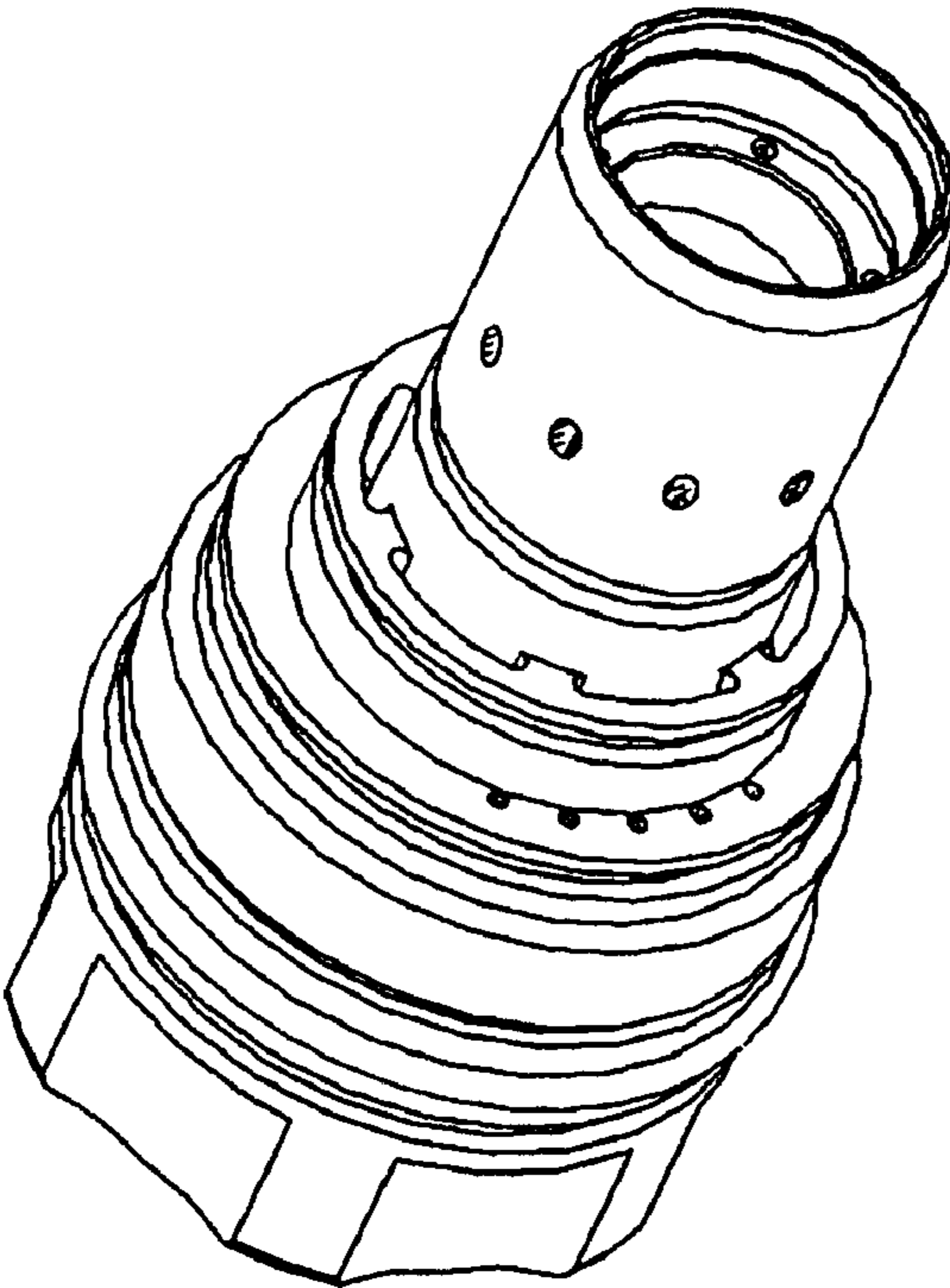


FIG. 2

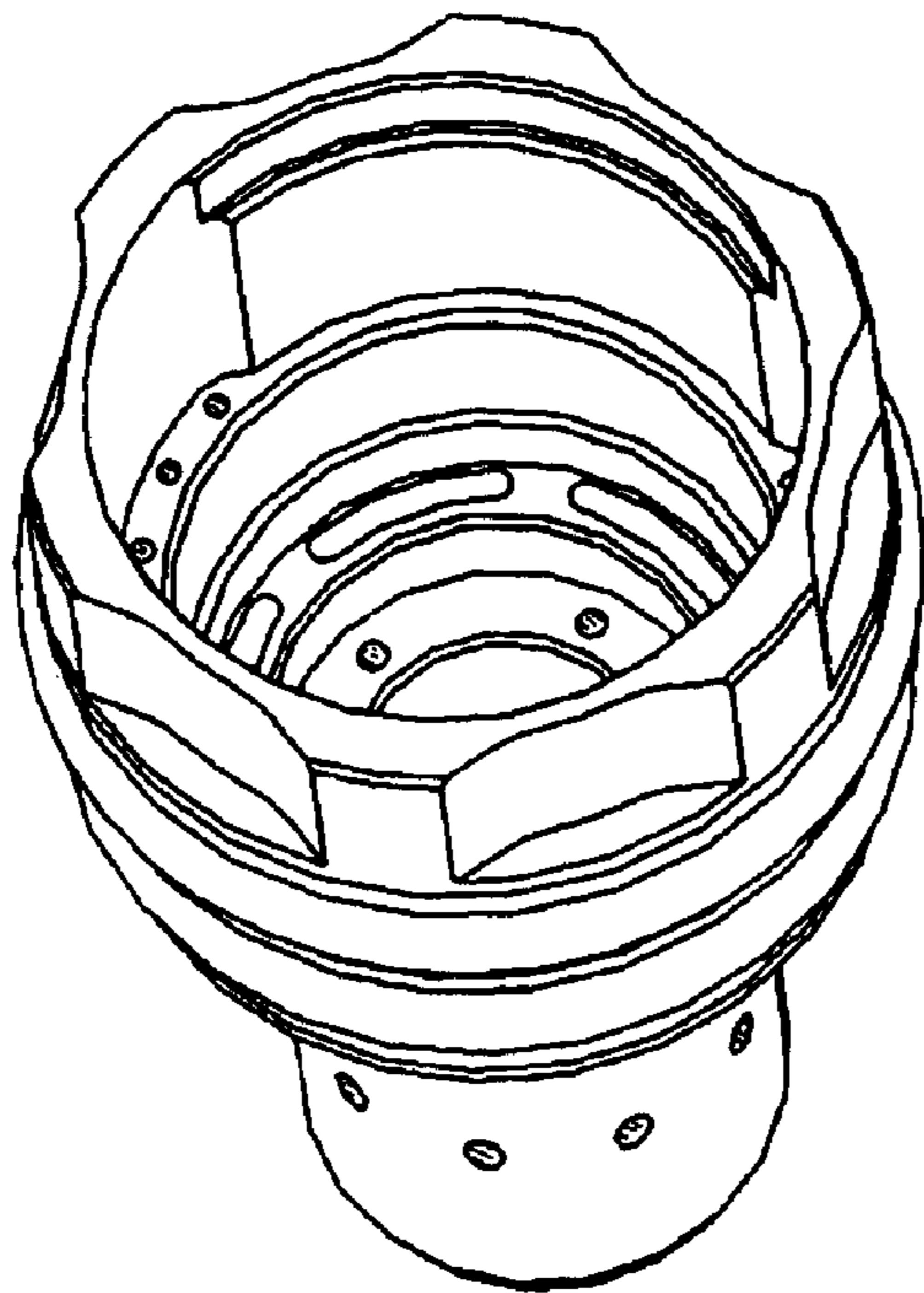


FIG. 3

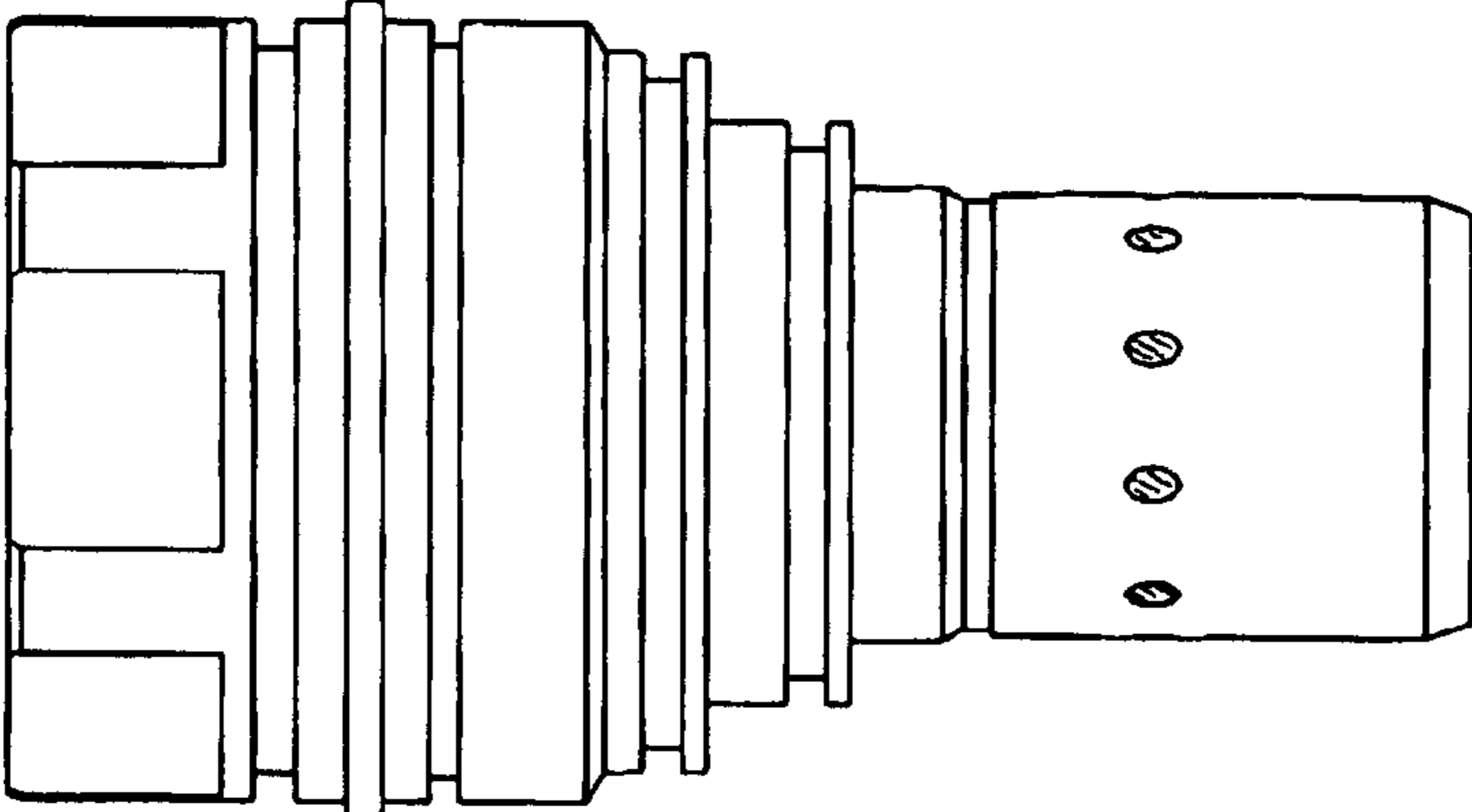


FIG. 4

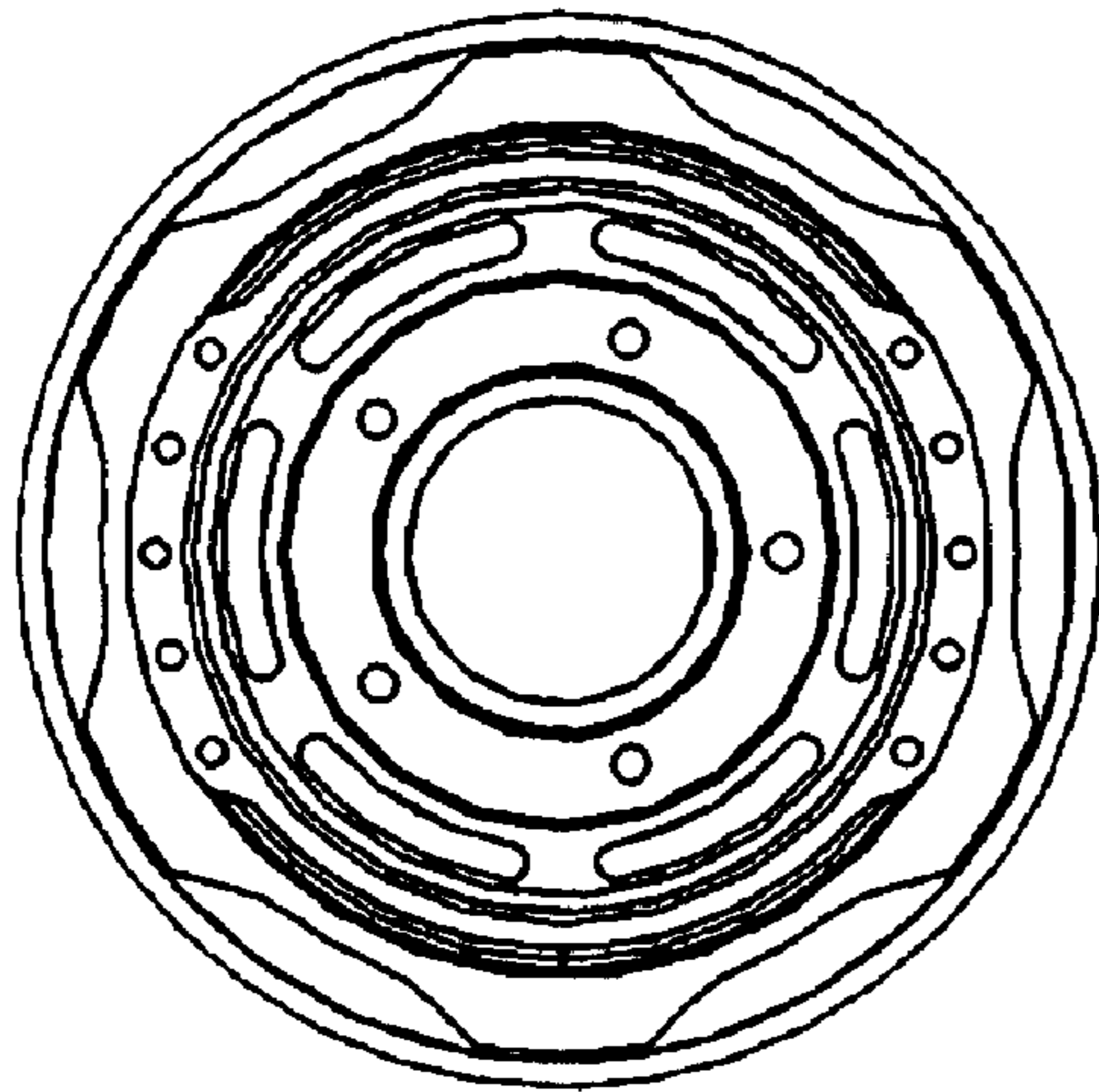


FIG. 5

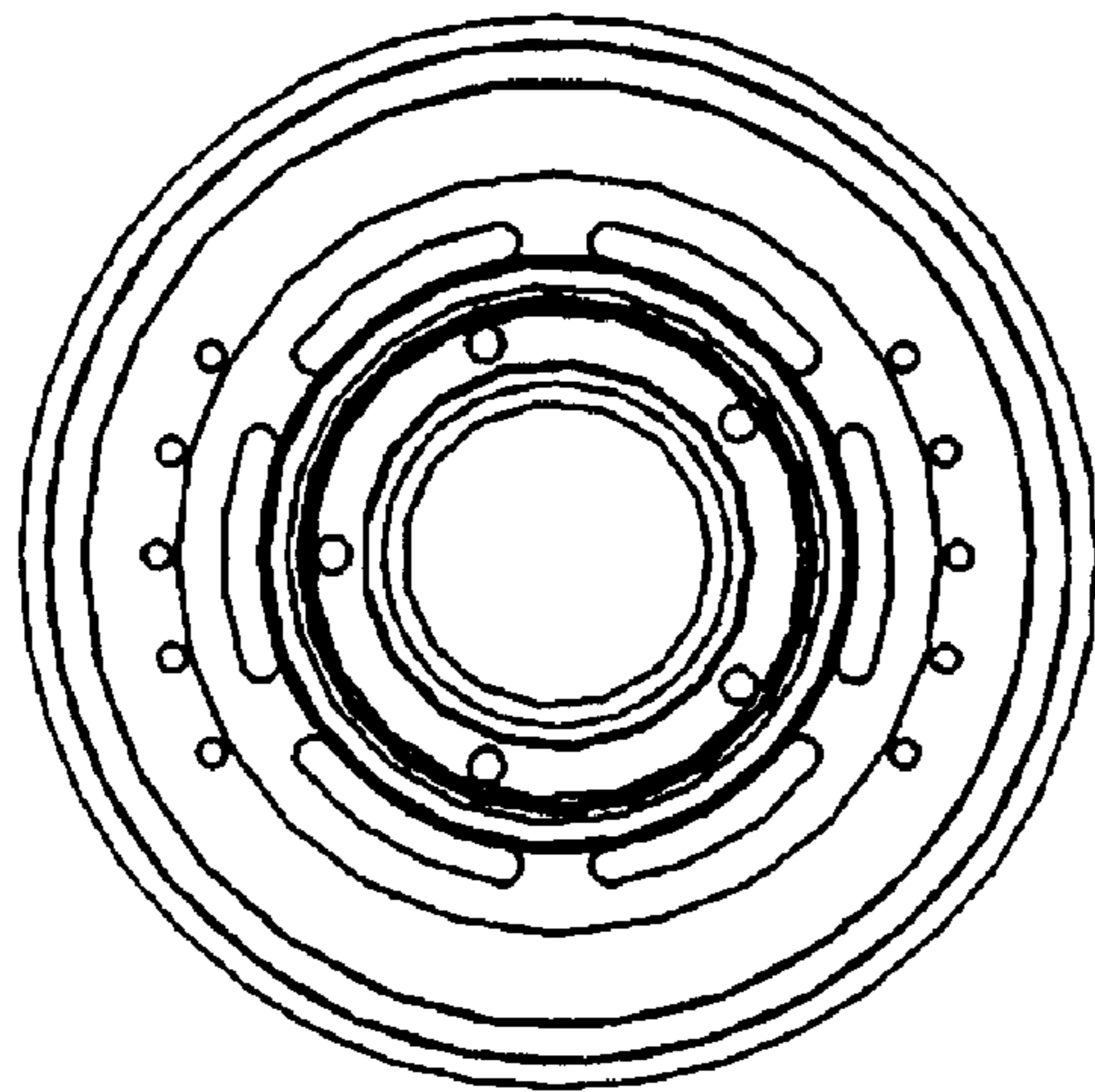


FIG. 6