

US00D535671S

(12) **United States Design Patent**  
**Bernhardt**

(10) **Patent No.:** **US D535,671 S**

(45) **Date of Patent:** **\*\* Jan. 23, 2007**

(54) **ADJUSTABLE TABLE TOP WORK STOP ASSEMBLY FOR MACHINE TABLES**

(75) Inventor: **Randy J. Bernhardt**, Dousman, WI (US)

(73) Assignee: **Urban Manufacturing, Inc.**, Pewaukee, WI (US)

(\*\*) Term: **14 Years**

(21) Appl. No.: **29/215,734**

(22) Filed: **Oct. 26, 2004**

(51) **LOC (8) Cl.** ..... **15-09**

(52) **U.S. Cl.** ..... **D15/140**

(58) **Field of Classification Search** ..... D15/131, D15/138, 140; 74/526; 248/248, 279, 285, 248/286; 269/71, 73, 76, 305, 315-320; 287/52.02; 403/234, 335

See application file for complete search history.

(56) **References Cited**

**U.S. PATENT DOCUMENTS**

1,068,170	A	*	7/1913	Royce	.....	269/71
1,071,289	A		8/1913	Bader		
2,450,931	A		10/1948	Bault		
2,788,686	A		4/1957	Holt		
2,823,567	A	*	2/1958	Pothier	.....	269/71
2,849,240	A		8/1958	Sorensen		
2,913,019	A	*	11/1959	Sprague	.....	D15/140
D231,663	S		5/1974	Pingel		
3,827,686	A		8/1974	Storkh		
D232,761	S		9/1974	Lanese		
D239,131	S	*	3/1976	Adler	.....	D15/140
3,961,557	A	*	6/1976	Jezowski	.....	409/218
3,967,816	A		7/1976	Ramsperger et al.		
4,030,718	A		6/1977	Philipoff		
D255,578	S	*	6/1980	Herczeg	.....	D15/140
4,274,802	A	*	6/1981	Inaba et al.	.....	D15/138
D264,216	S	*	5/1982	Saupe et al.	.....	D15/131
D269,518	S	*	6/1983	Karlan	.....	D15/140
D271,772	S		12/1983	Grohowski		
D294,587	S		3/1988	Smith et al.		

D302,277	S		7/1989	Bishop		
D336,481	S		6/1993	Silvia		
5,816,568	A		10/1998	Fox		
5,845,555	A	*	12/1998	Dawley	.....	83/467.1
6,079,703	A	*	6/2000	Chavez, Jr.	.....	269/305
6,889,968	B1	*	5/2005	Wong	.....	269/71

**FOREIGN PATENT DOCUMENTS**

DE 43 21 387 1/1994

**OTHER PUBLICATIONS**

MSC Industrial Supply Co. catalog, 2004/2005, p. 1641.

\* cited by examiner

*Primary Examiner*—Antoine D. Davis

*Assistant Examiner*—Patricia Palasik

(74) *Attorney, Agent, or Firm*—Ryan Kromholz & Manion, S.C.

(57) **CLAIM**

The ornamental design for an adjustable table top work stop assembly for machine tables, as shown and described.

**DESCRIPTION**

FIG. 1 is a perspective view of a second embodiment of an adjustable work stop assembly according to the present invention.

FIG. 2 is a front elevation view of the adjustable work stop assembly of FIG. 1, the rear elevation view being a mirror image thereof.

FIG. 3 is a left side view of the adjustable work stop assembly of FIG. 1.

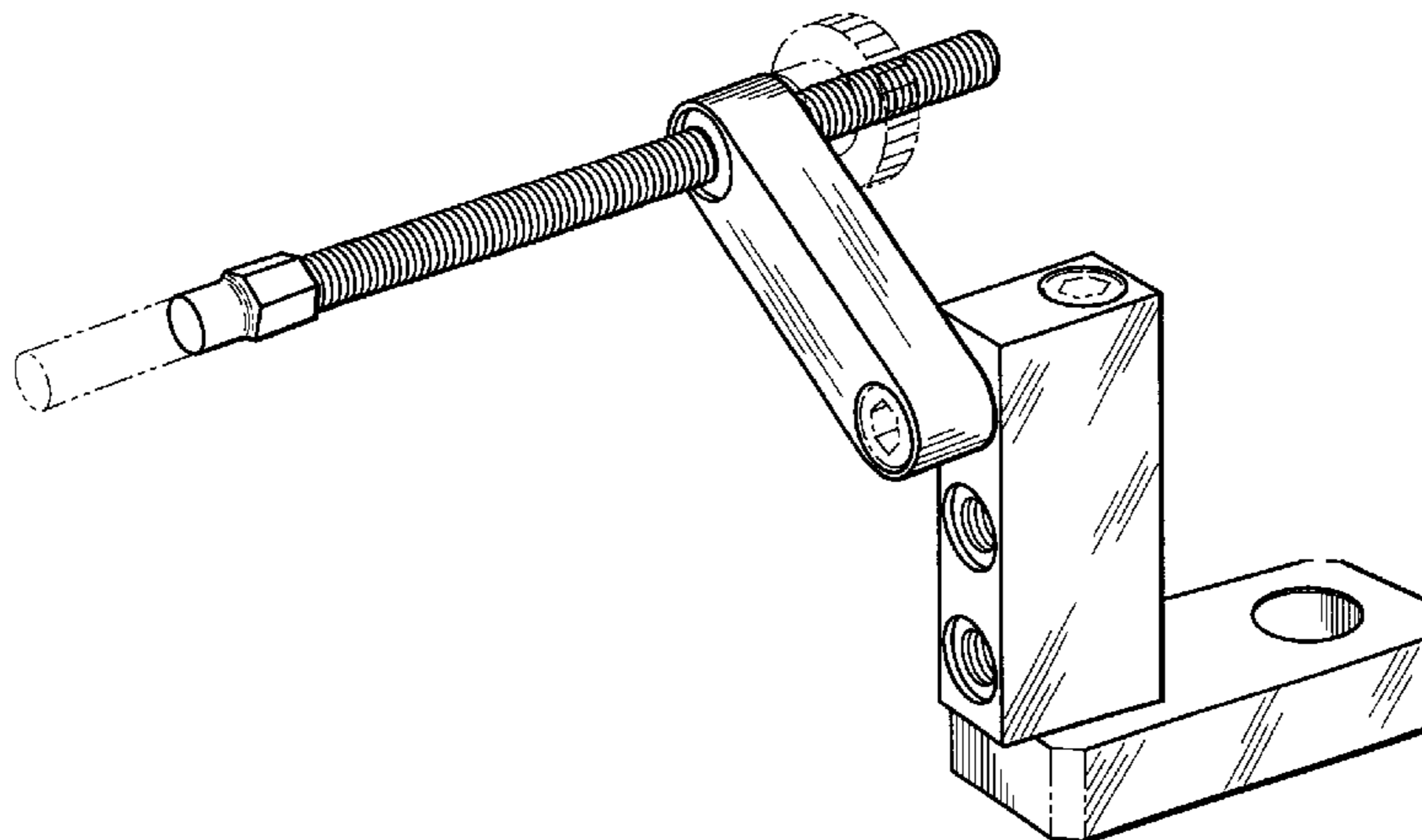
FIG. 4 is a right side view of the adjustable work stop assembly of FIG. 1.

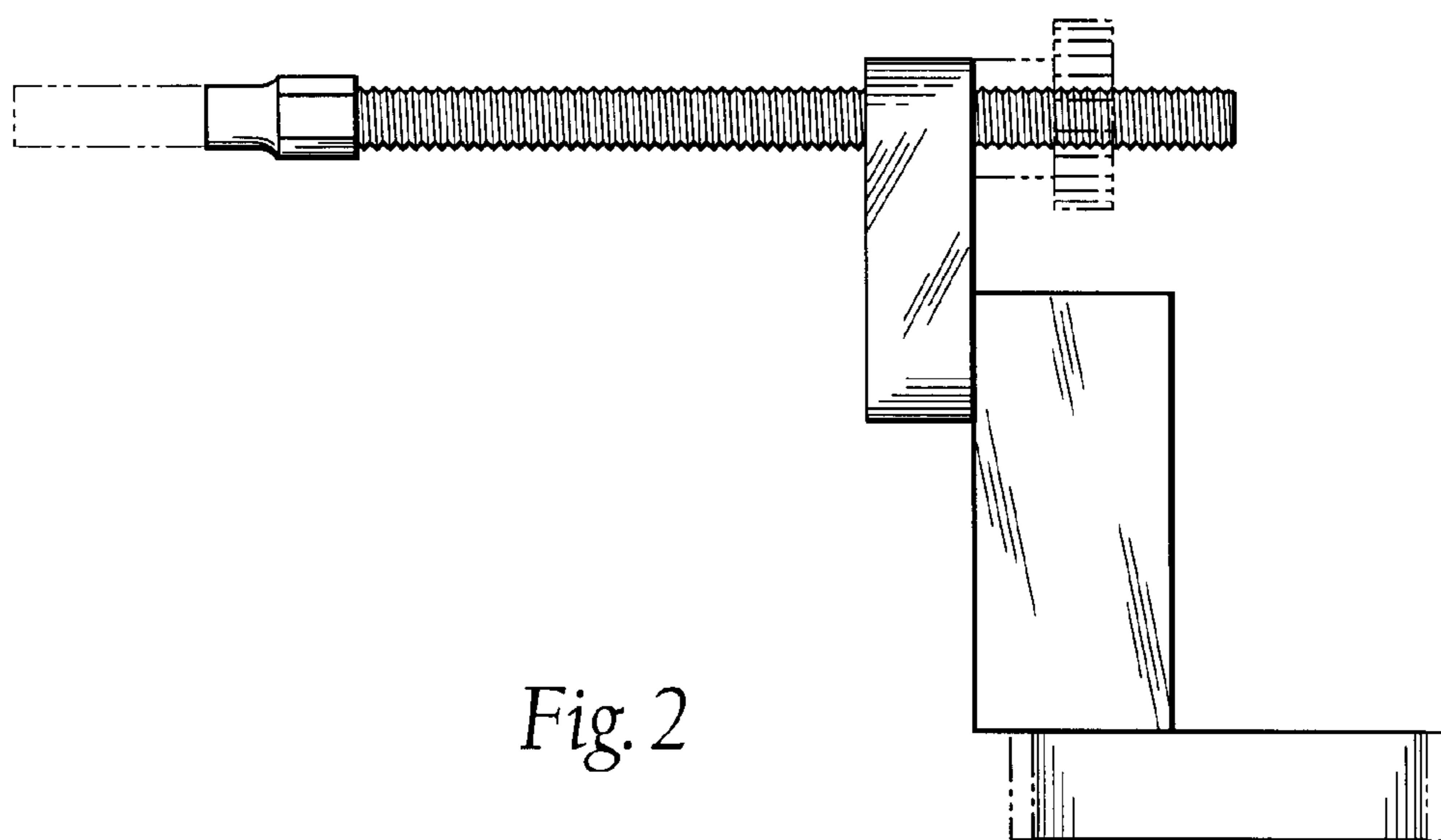
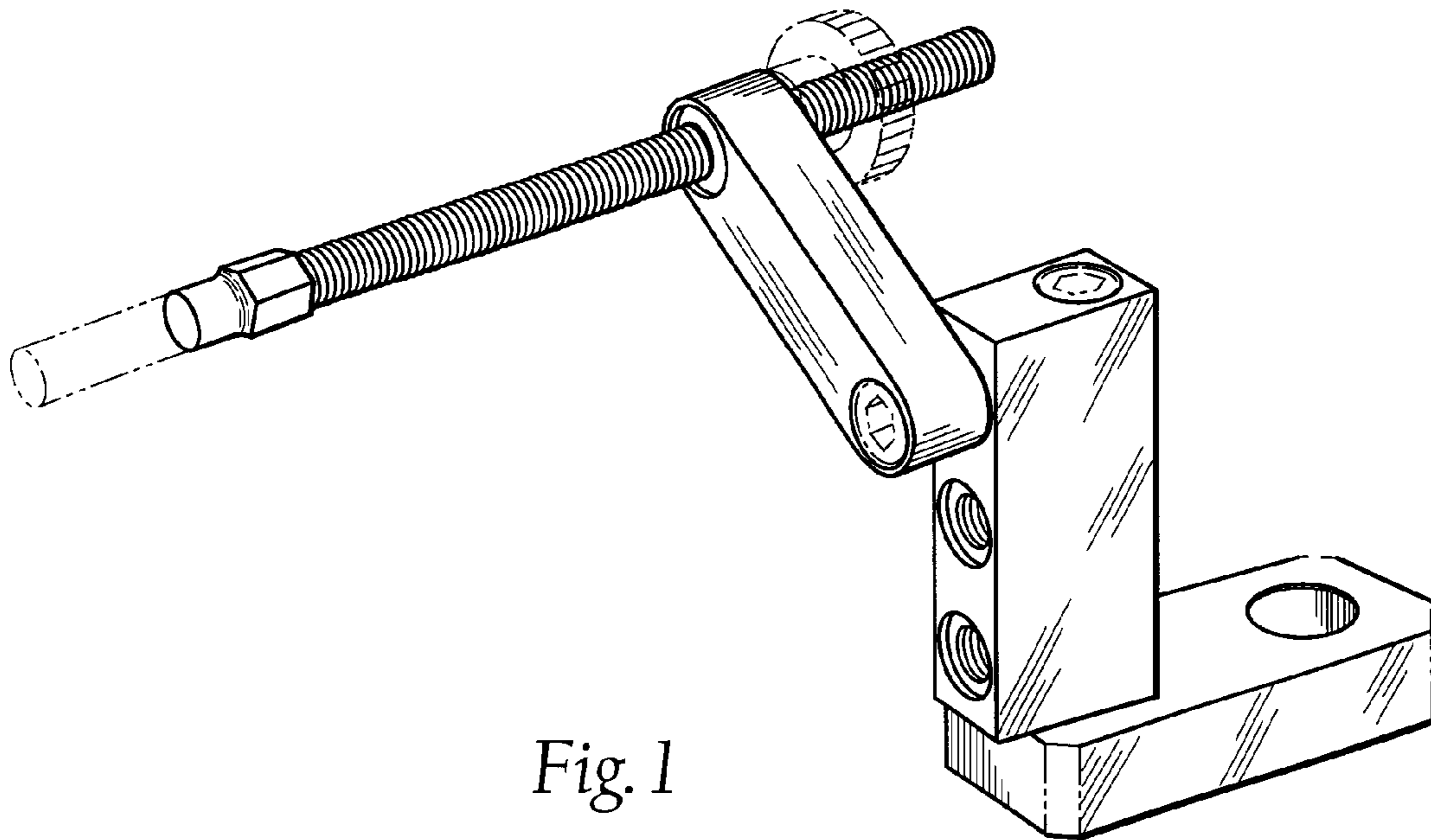
FIG. 5 is a top plan view of the adjustable work stop assembly of FIG. 1; and,

FIG. 6 is a bottom plan view of the adjustable work stop assembly of FIG. 1.

The broken line showing is for illustrative purposes only and forms no part of the claimed design.

**1 Claim, 2 Drawing Sheets**





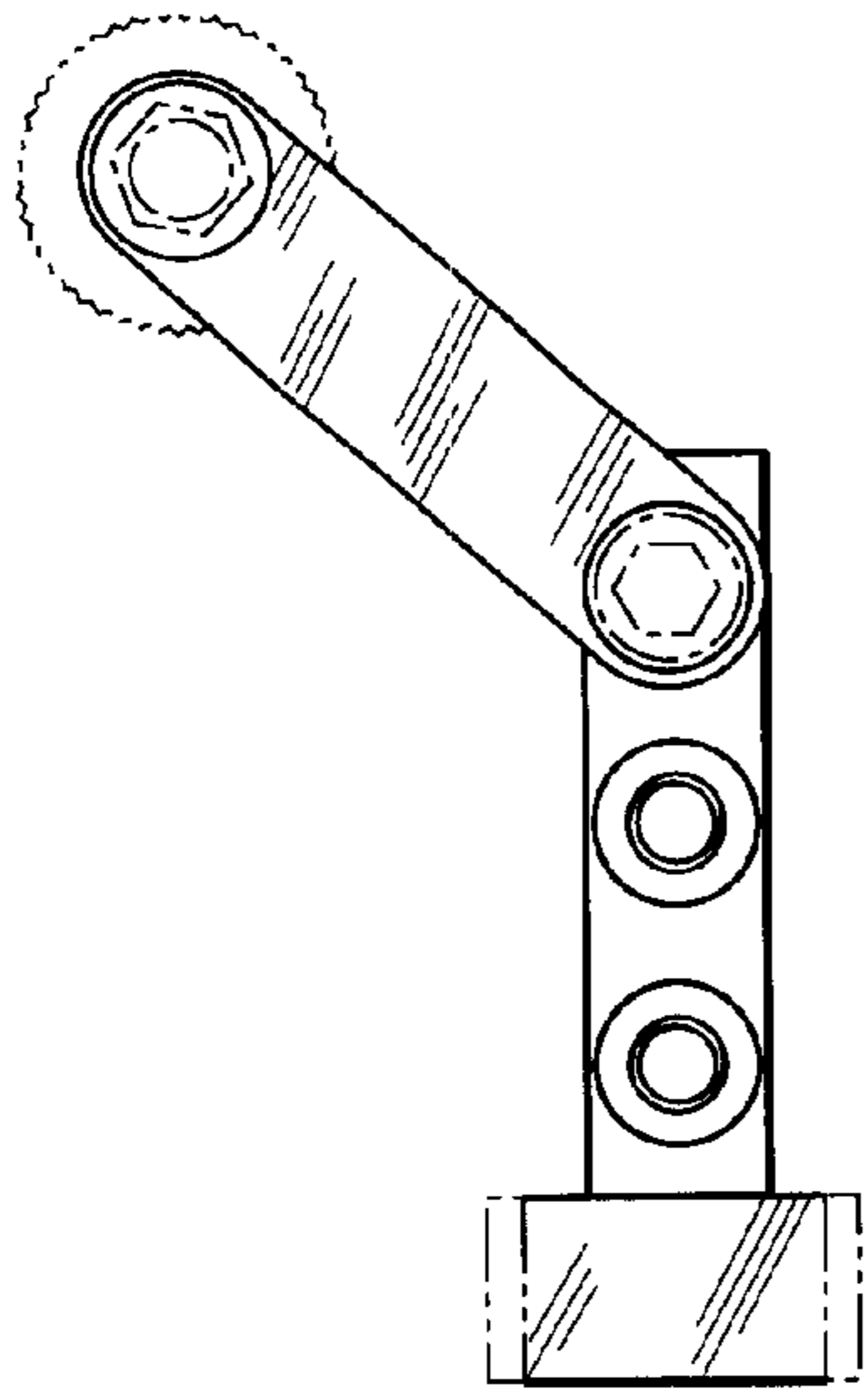


Fig. 3

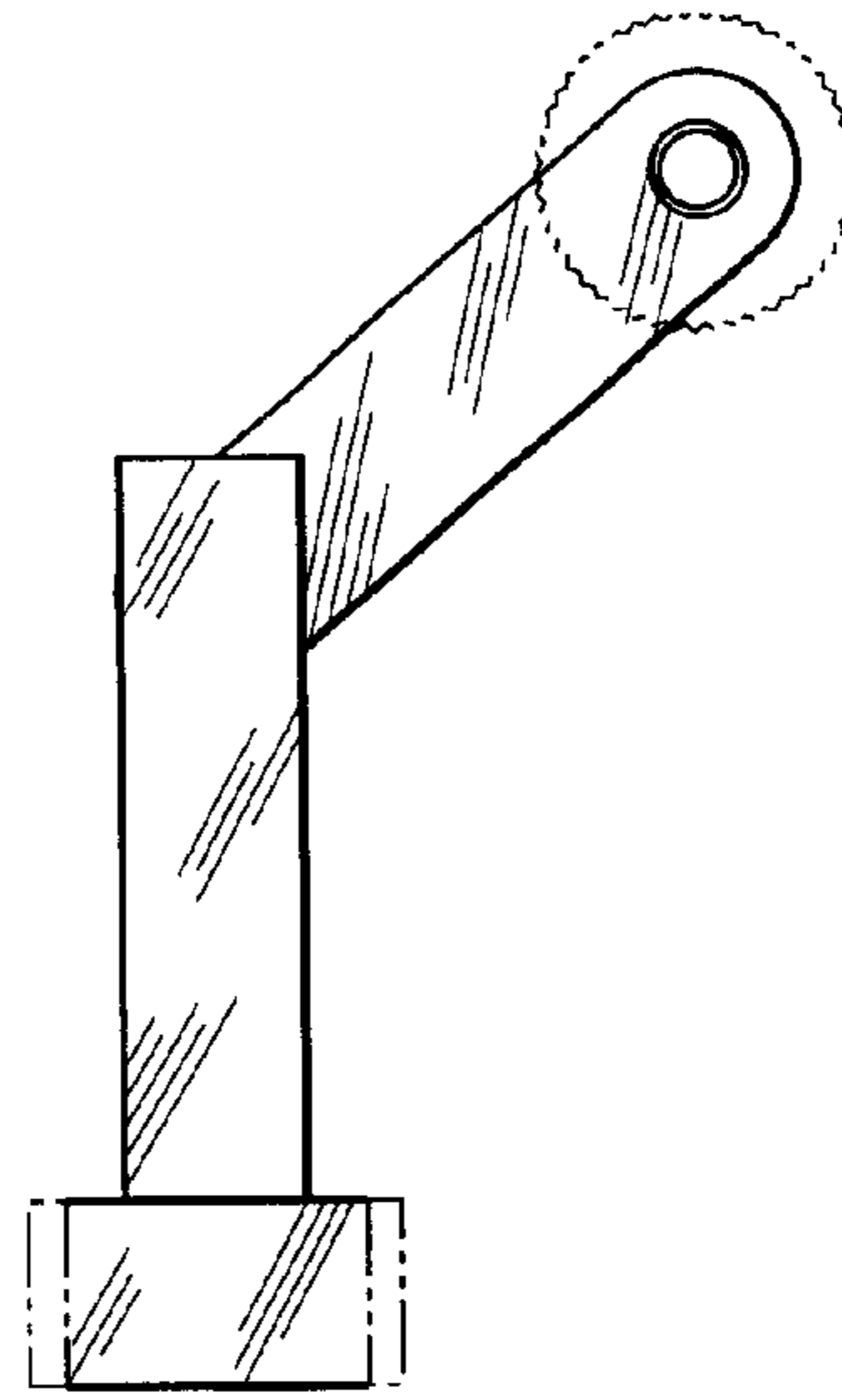


Fig. 4

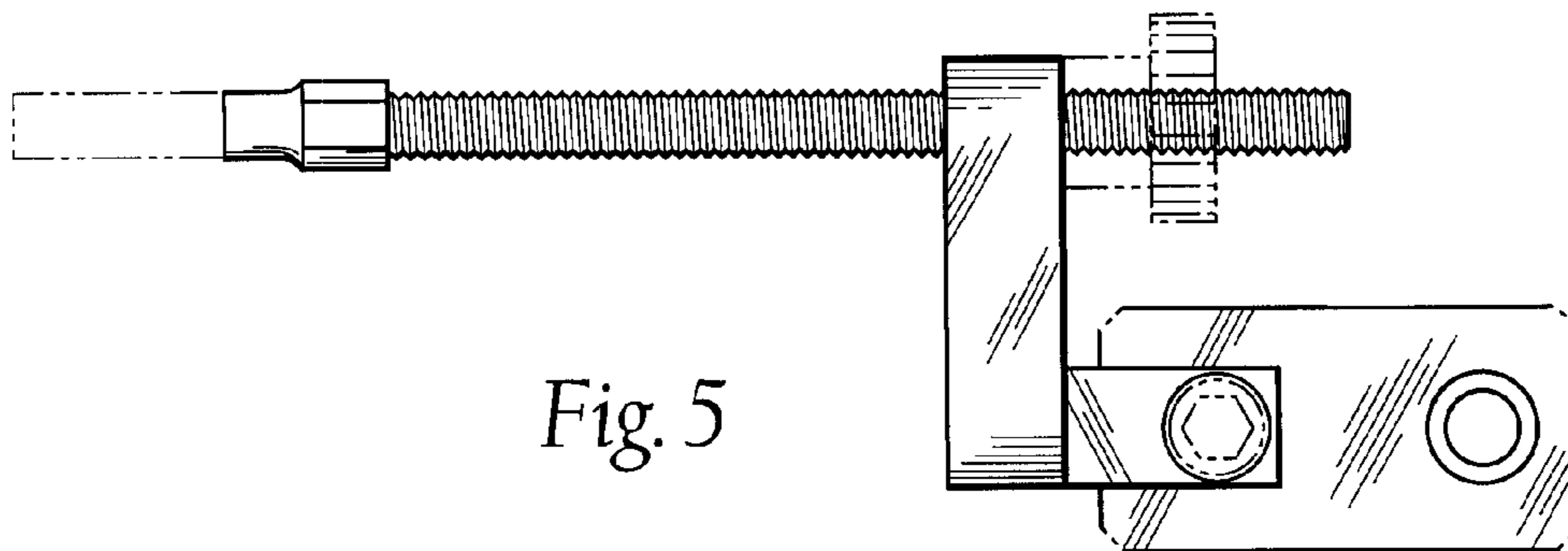


Fig. 5

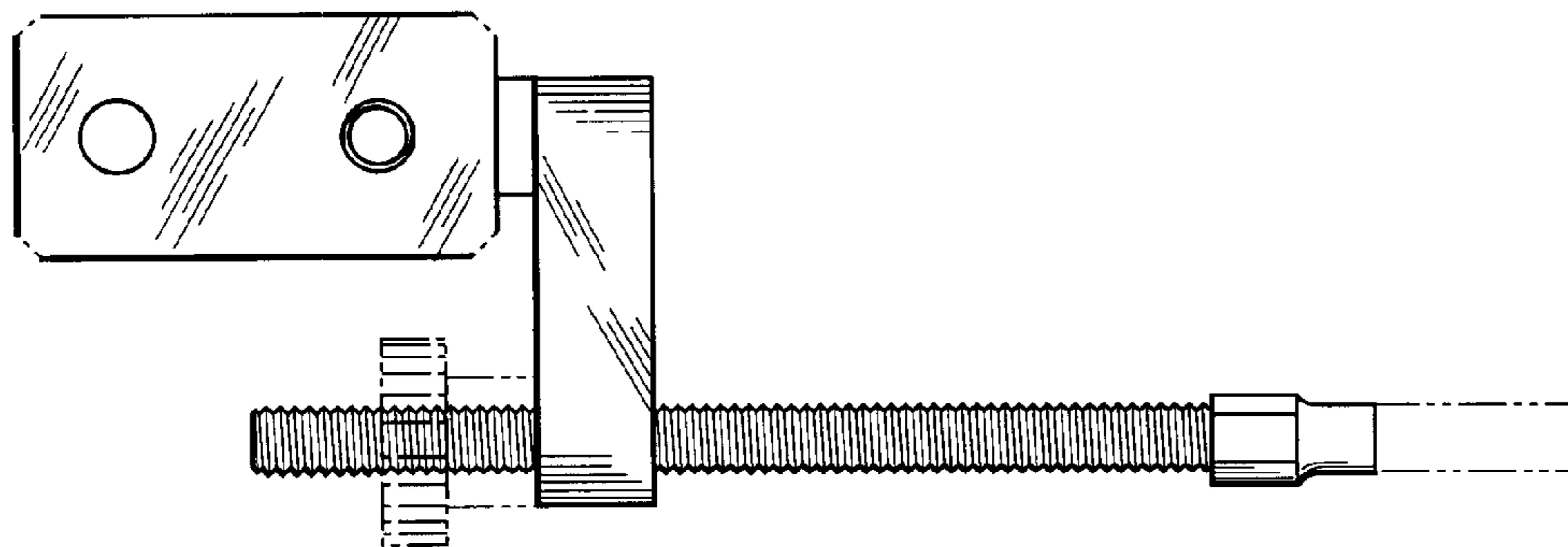


Fig. 6