



US00D535670S

(12) **United States Design Patent**  
**Firth**

(10) **Patent No.:** **US D535,670 S**  
(45) **Date of Patent:** **\*\* Jan. 23, 2007**

(54) **MITRE SAW**

(75) Inventor: **Robert Firth**, Clifton Moor (GB)

(73) Assignee: **GMCA Pty Limited** (AU)

(\*\*) Term: **14 Years**

(21) Appl. No.: **29/231,771**

(22) Filed: **Jun. 9, 2005**

(30) **Foreign Application Priority Data**

May 3, 2005 (EM) ..... 000337498

(51) **LOC (8) Cl.** ..... **15-09**

(52) **U.S. Cl.** ..... **D15/133**

(58) **Field of Classification Search** ..... D8/64,  
D8/67, 68, 69; D15/133; 30/377-378, 388-391,  
30/473, 477, 490, 517-525; 83/471.2-471.3,  
83/472, 477.1-477.2, 581  
See application file for complete search history.

(56) **References Cited**

**U.S. PATENT DOCUMENTS**

D331,416 S \* 12/1992 Fushiya et al. .... D15/133

D513,271 S \* 12/2005 Ozawa et al. .... D15/133  
D520,033 S \* 5/2006 Firth ..... D15/133  
2002/0166433 A1 \* 11/2002 Ceroll et al. .... 83/471.3  
2006/0000328 A1 \* 1/2006 Terashima et al. .... 83/471.3

\* cited by examiner

*Primary Examiner*—Antoine D. Davis

*Assistant Examiner*—Patricia Palasik

(74) *Attorney, Agent, or Firm*—McKee, Voorhees & Sease,  
P.L.C.

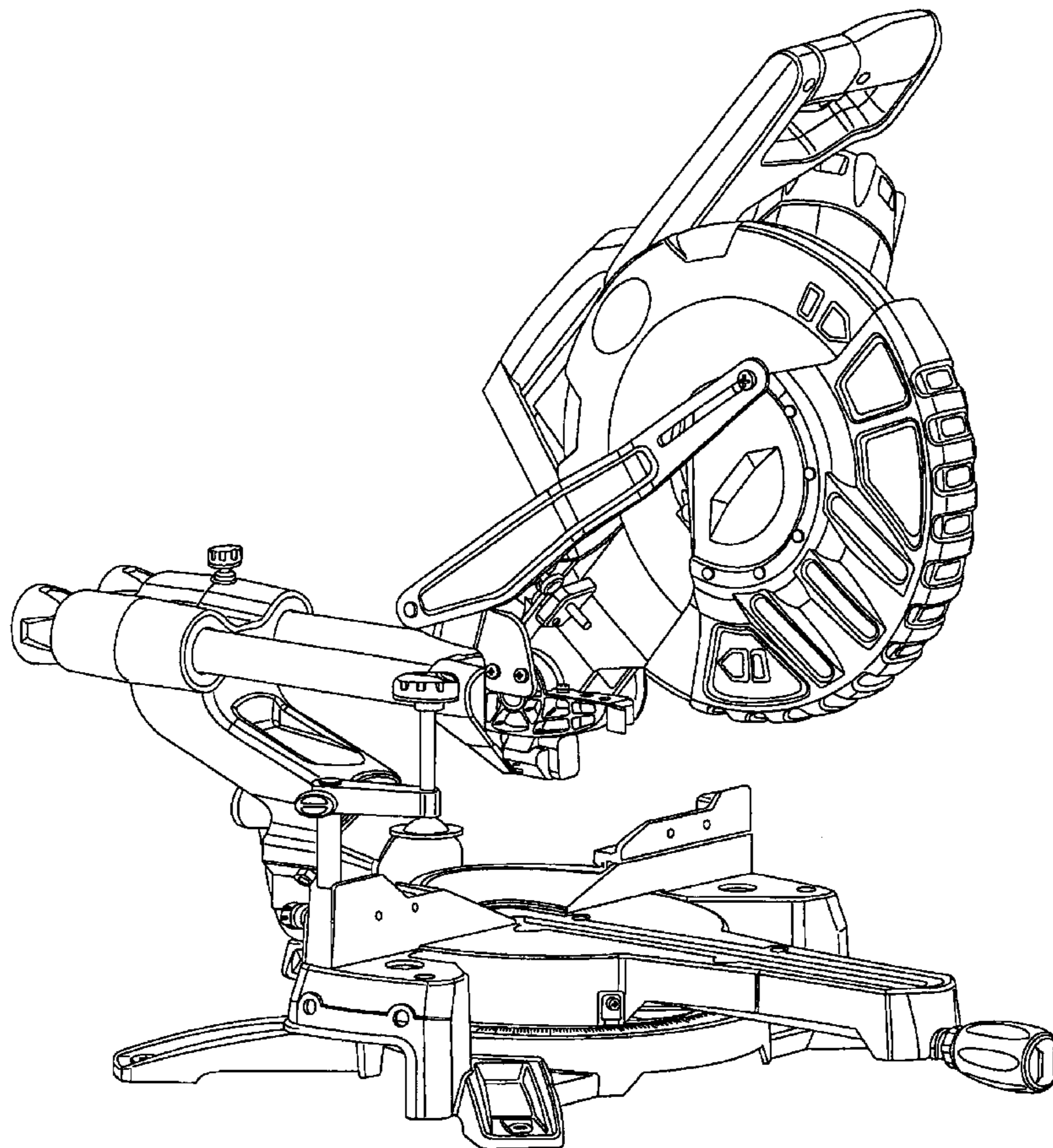
(57) **CLAIM**

The ornamental design for a mitre saw, as shown and described.

**DESCRIPTION**

FIG. 1 is a front view of the mitre saw.  
FIG. 2 is a rear view of the mitre saw.  
FIG. 3 is a side view of the mitre saw.  
FIG. 4 is an opposite side view of the mitre saw.  
FIG. 5 is a top view of the mitre saw.  
FIG. 6 is a bottom view of the mitre saw.  
FIG. 7 is a side perspective view of the mitre saw; and,  
FIG. 8 is an opposite side perspective view of the mitre saw.

**1 Claim, 8 Drawing Sheets**



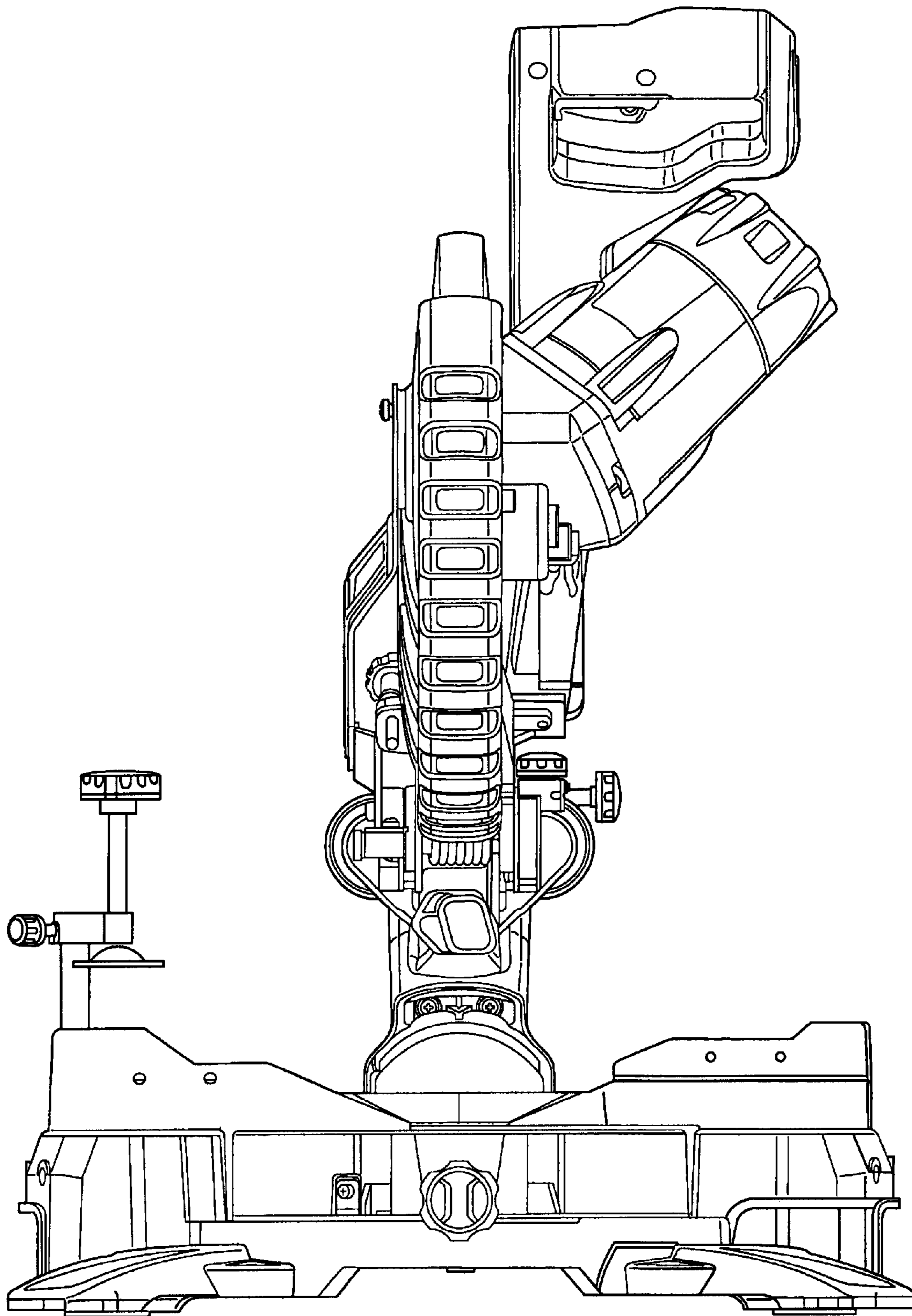


FIG. 1

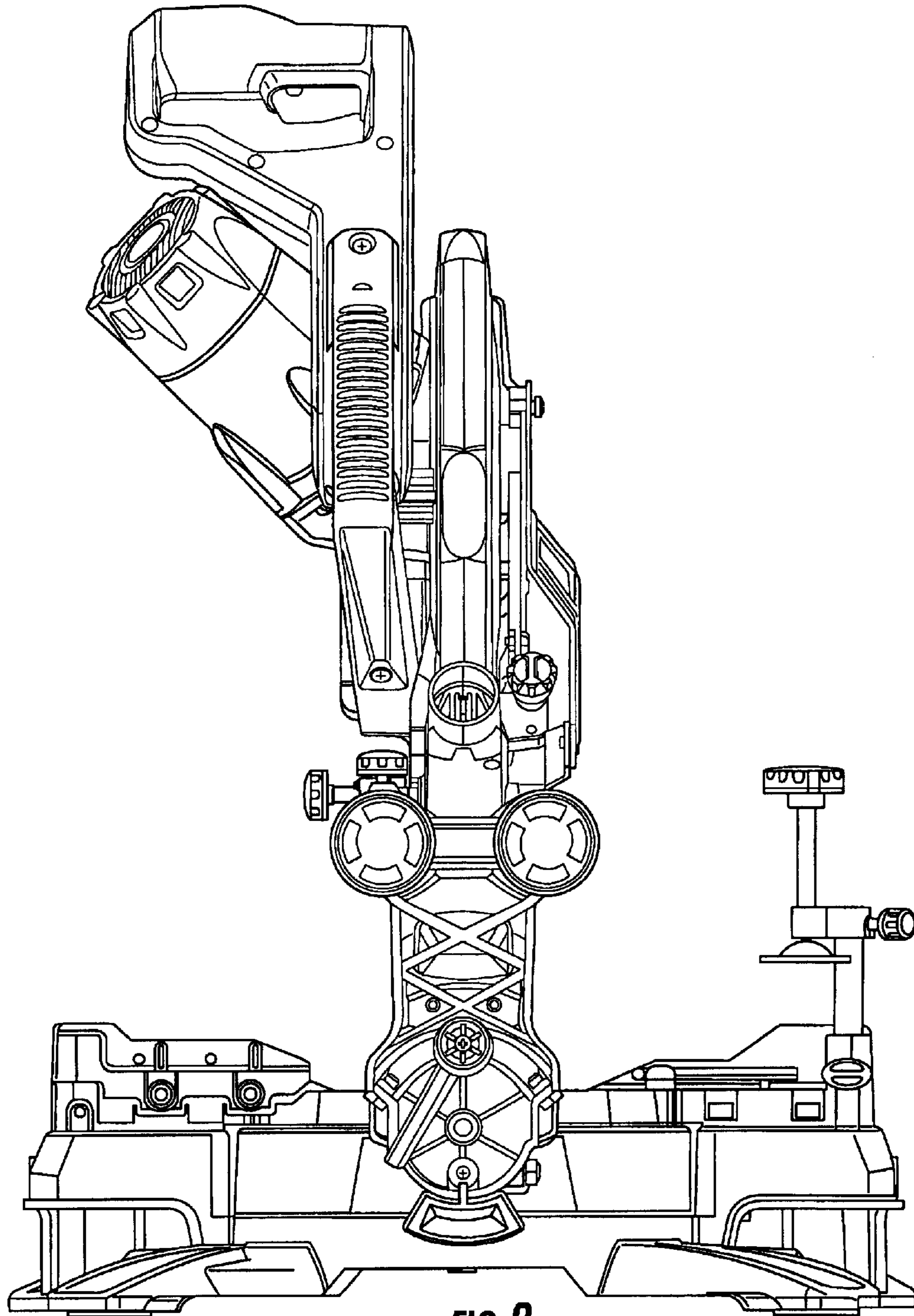


FIG. 2

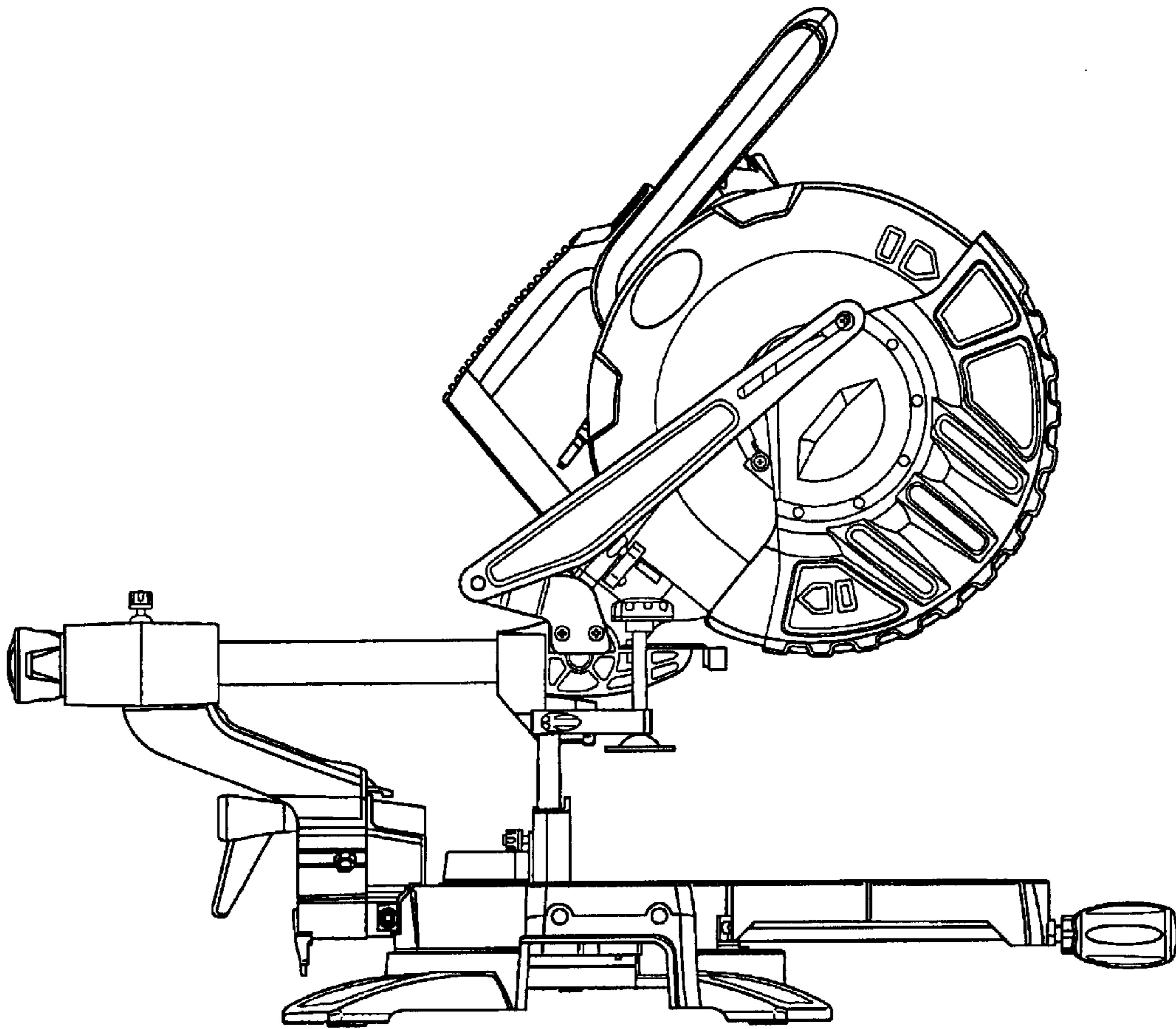


FIG. 3

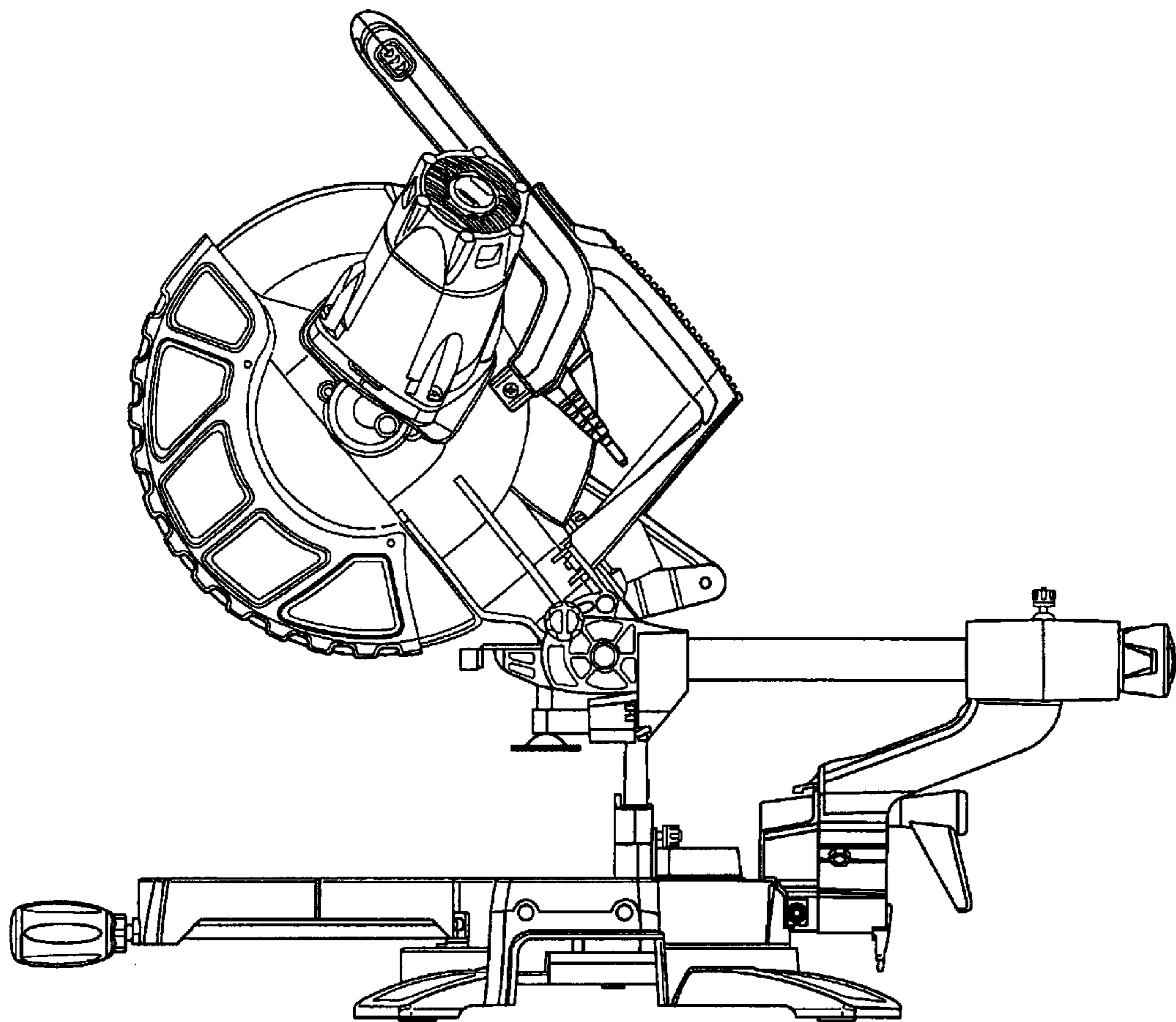


FIG. 4

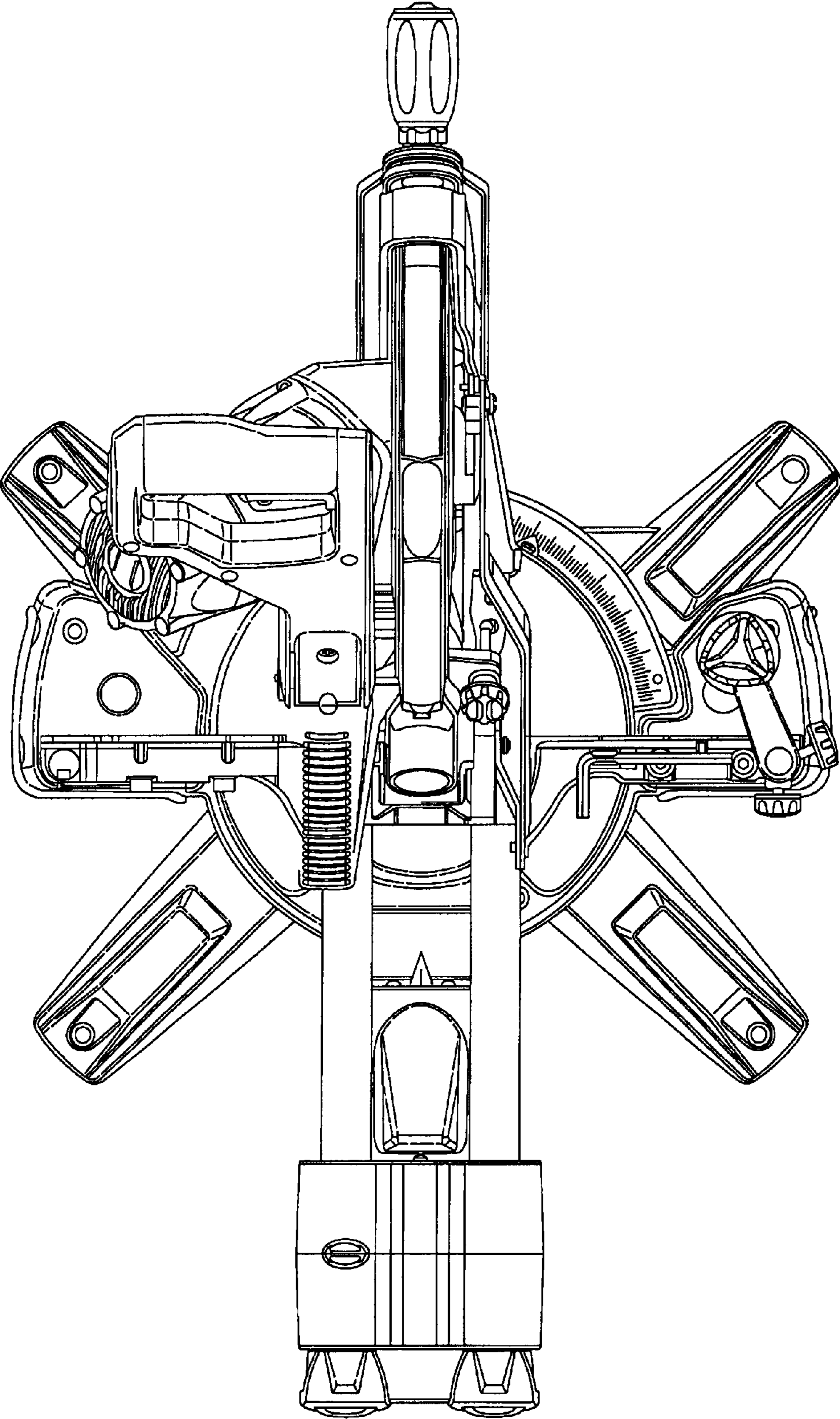
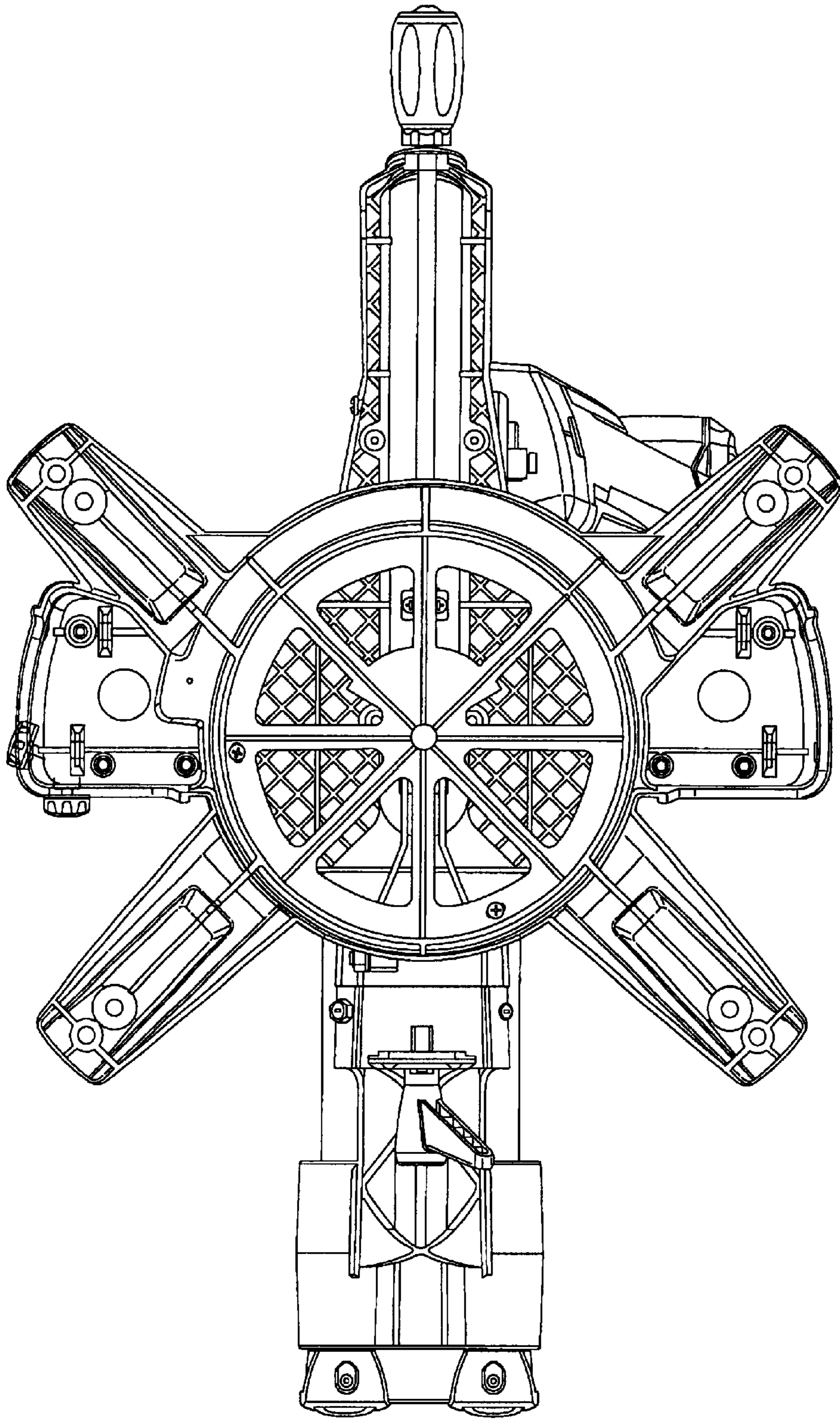


FIG. 5



**FIG. 6**

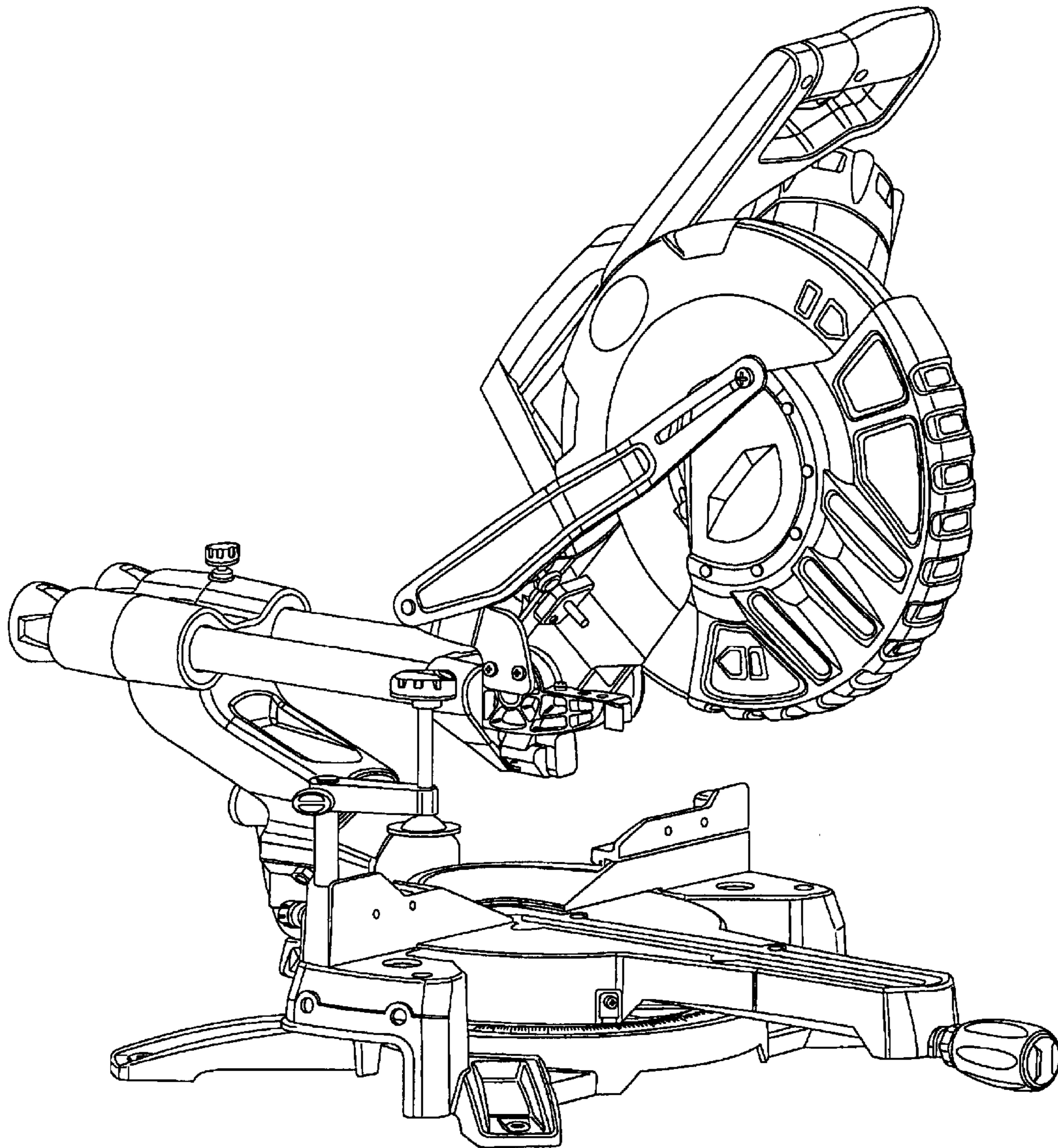


FIG. 7



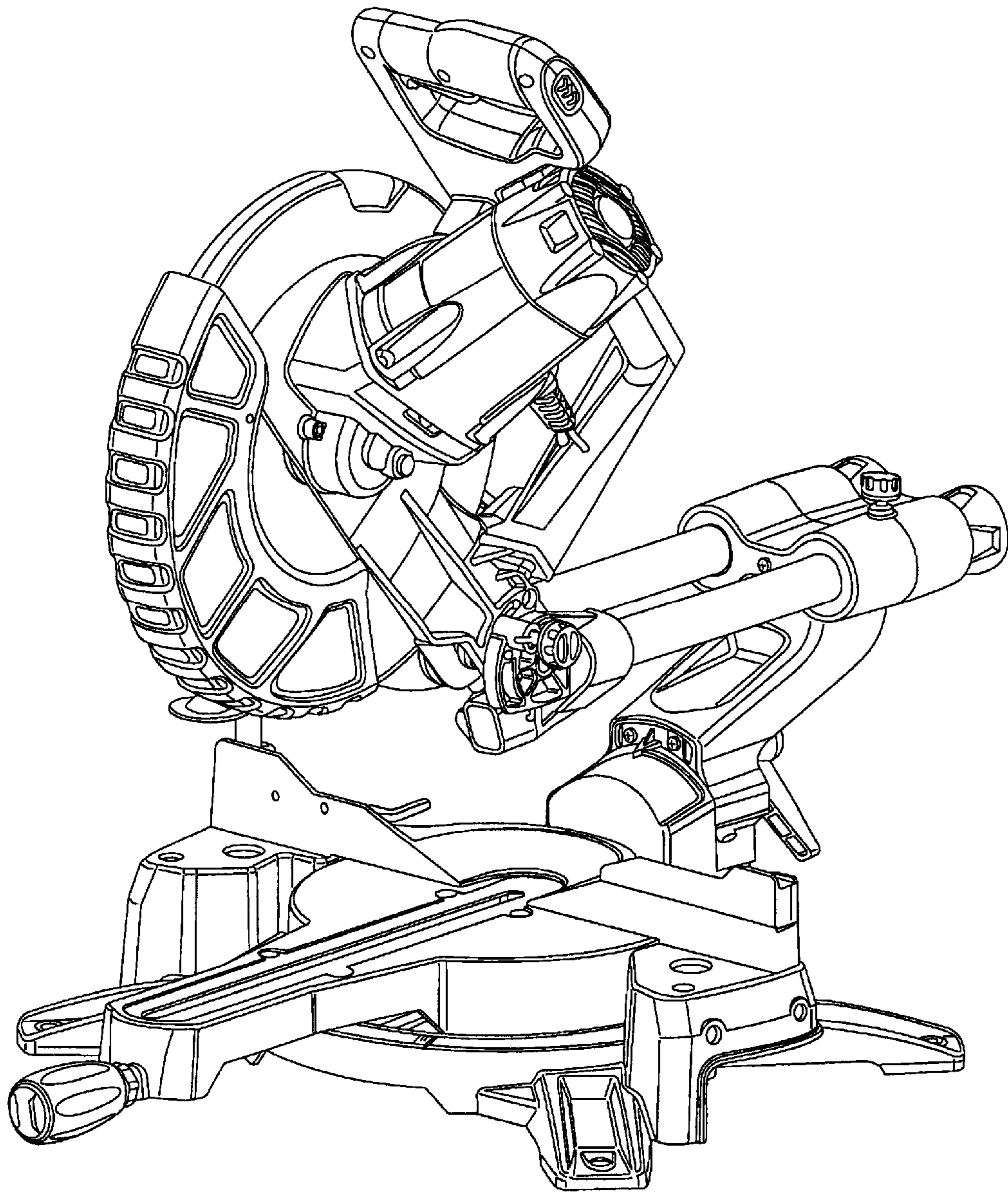


FIG. 8