



US00D535668S

(12) **United States Design Patent**
Moore

(10) **Patent No.:** **US D535,668 S**

(45) **Date of Patent:** **** Jan. 23, 2007**

(54) **FROZEN FOOD MAKER**

D378,215 S * 2/1997 Gander D15/82
D514,601 S * 2/2006 Helman et al. D15/82

(75) Inventor: **Devin Lee Moore**, Decatur, GA (US)

* cited by examiner

(73) Assignee: **Conair Corporation**, Stamford, CT (US)

Primary Examiner—Mitchell Siegel
Assistant Examiner—Shanda C. Hill

(**) Term: **14 Years**

(74) *Attorney, Agent, or Firm*—Lawrence Cruz; Steven A. Garner

(21) Appl. No.: **29/238,363**

(57) **CLAIM**

(22) Filed: **Sep. 14, 2005**

The ornamental design for a frozen foods maker, as shown and described.

(51) **LOC (8) Cl.** **15-07**

(52) **U.S. Cl.** **D15/82**

(58) **Field of Classification Search** D15/79,
D15/80, 81, 82; D7/213, 376, 368, 601, 665,
D7/669, 681; 312/3.6, 116, 138.1, 236, 405,
312/406; 62/125, 126

See application file for complete search history.

DESCRIPTION

FIG. 1 is a perspective view of a frozen foods maker showing our new design;
FIG. 2 is a front view thereof;
FIG. 3 is a left side view thereof;
FIG. 4 is a rear view thereof;
FIG. 5 is a right side view thereof;
FIG. 6 is a top view thereof; and,
FIG. 7 is a bottom view.

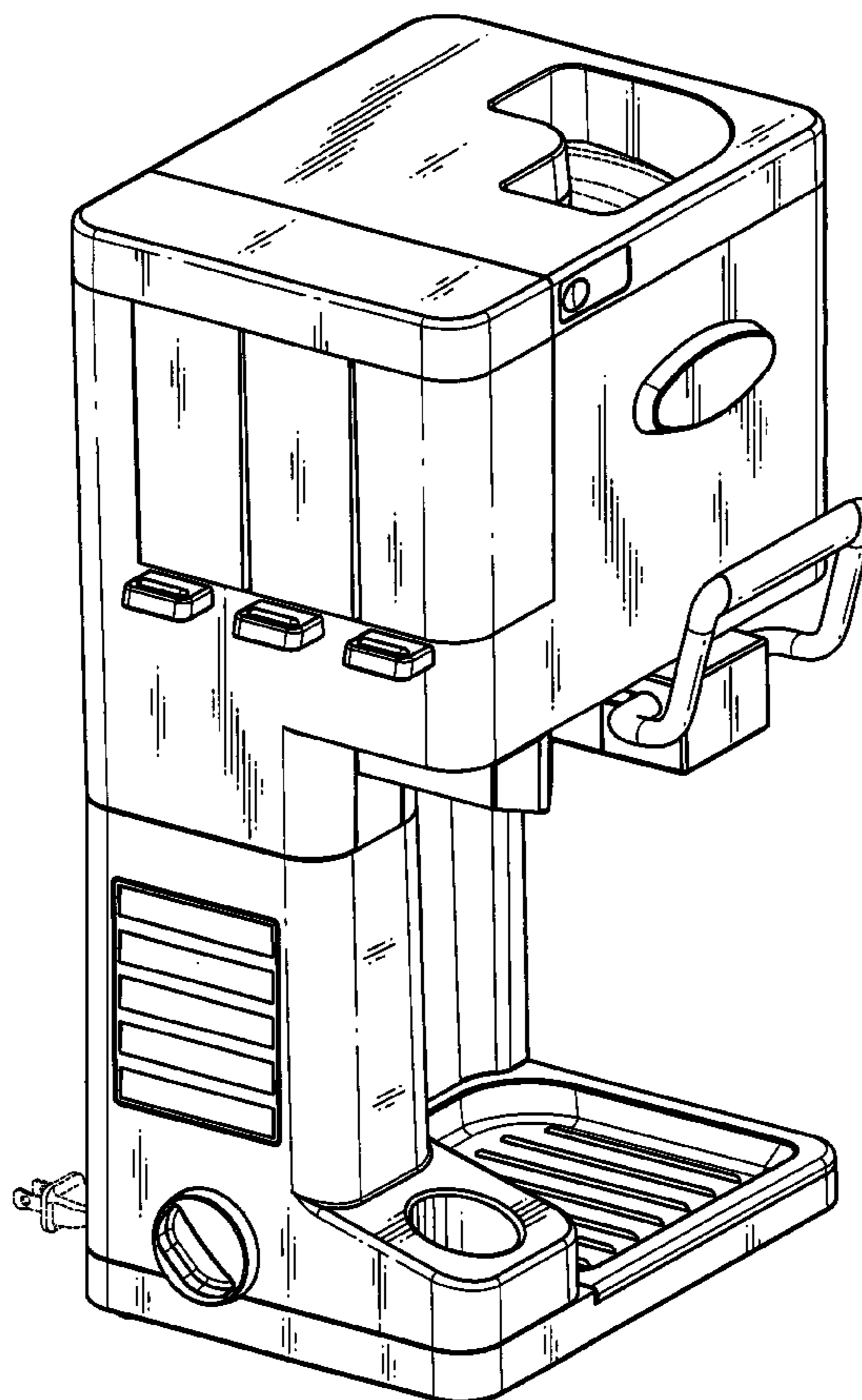
The broken lines are shown for illustrative purposes only and form no part of the claimed design.

(56) **References Cited**

U.S. PATENT DOCUMENTS

D261,890 S * 11/1981 Caspersen D15/82
D285,082 S * 8/1986 Verkler D15/82
D335,498 S * 5/1993 Kolada et al. D15/80
D364,175 S * 11/1995 Alpers et al. D15/82

1 Claim, 7 Drawing Sheets



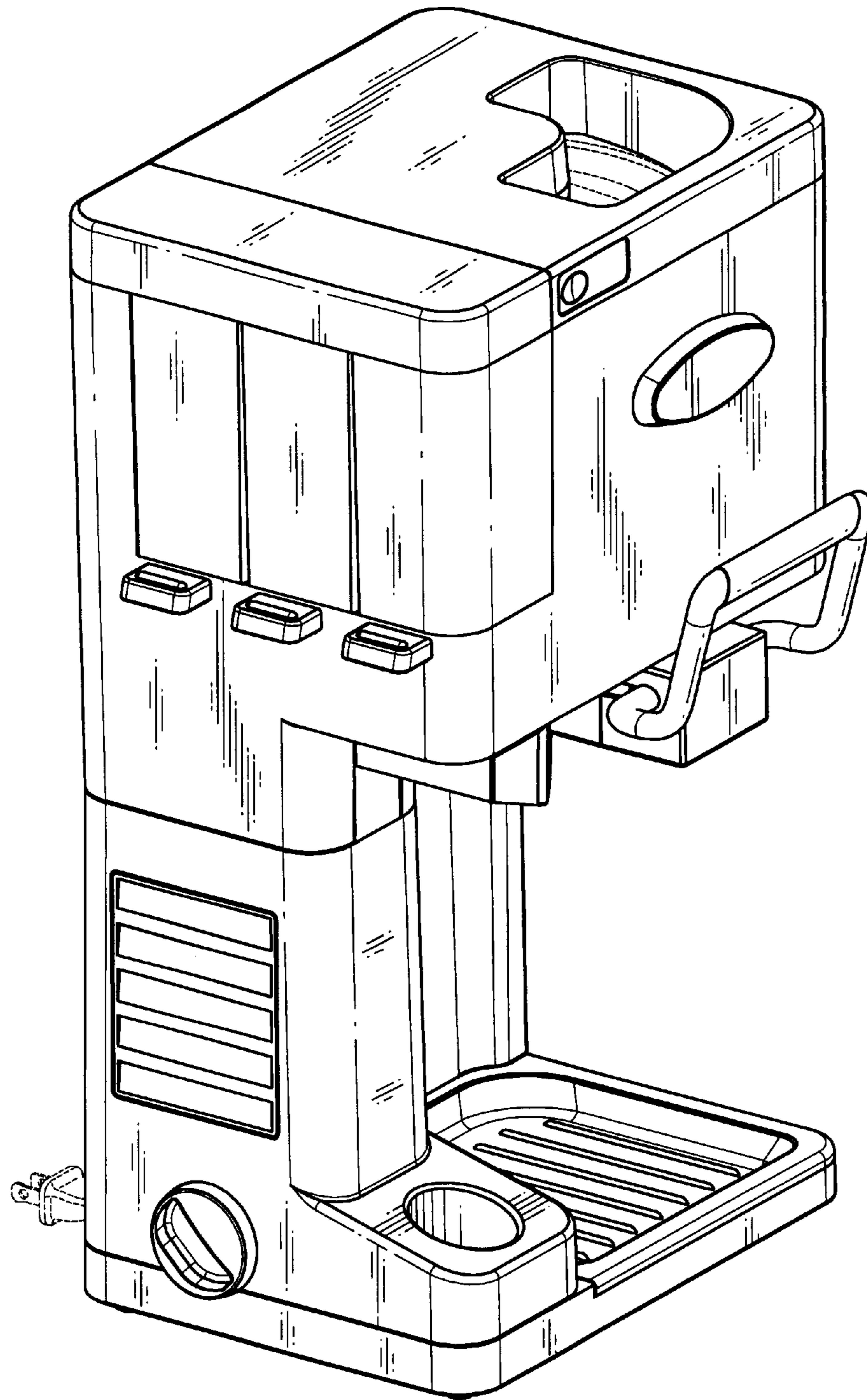


FIG. 1

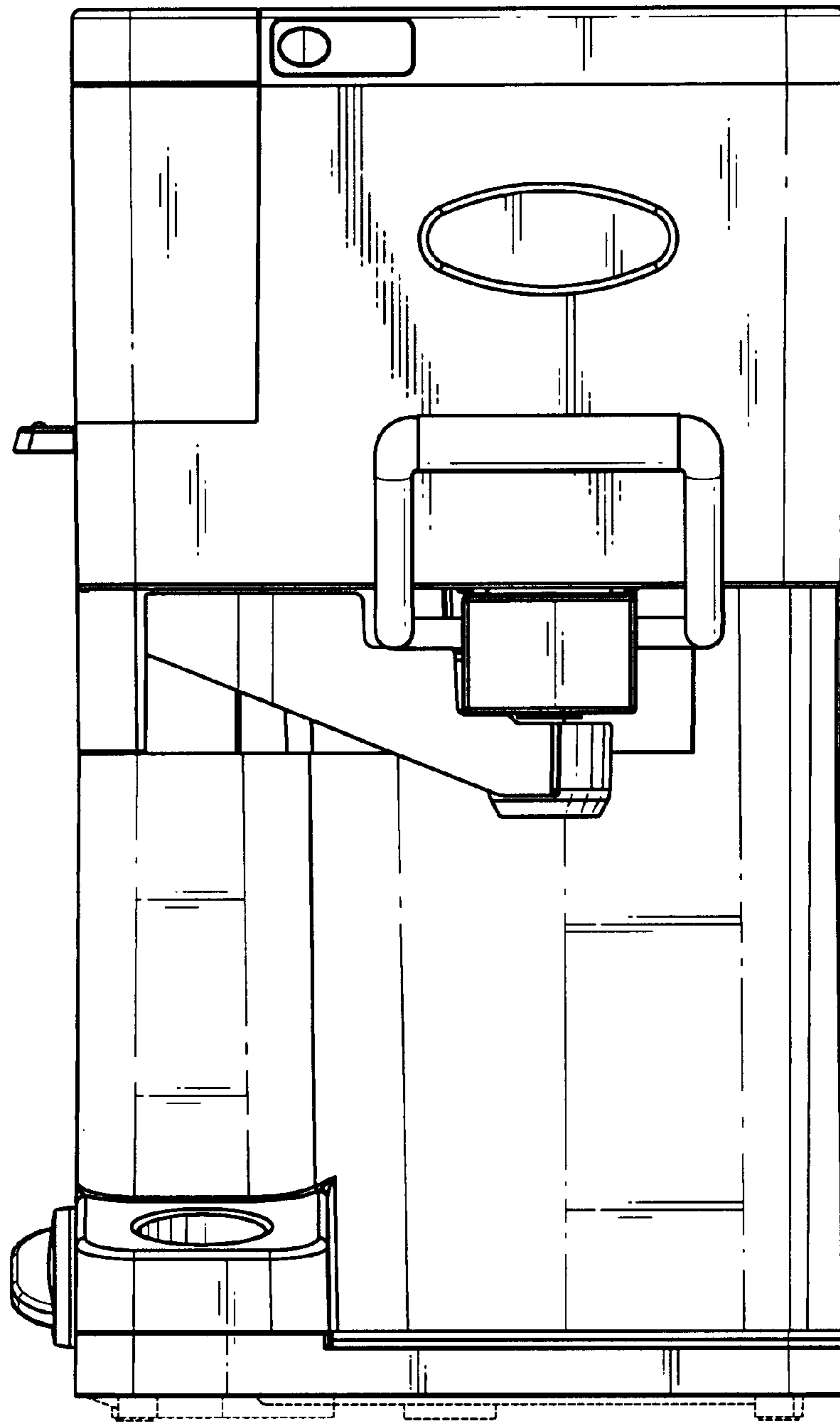


FIG. 2

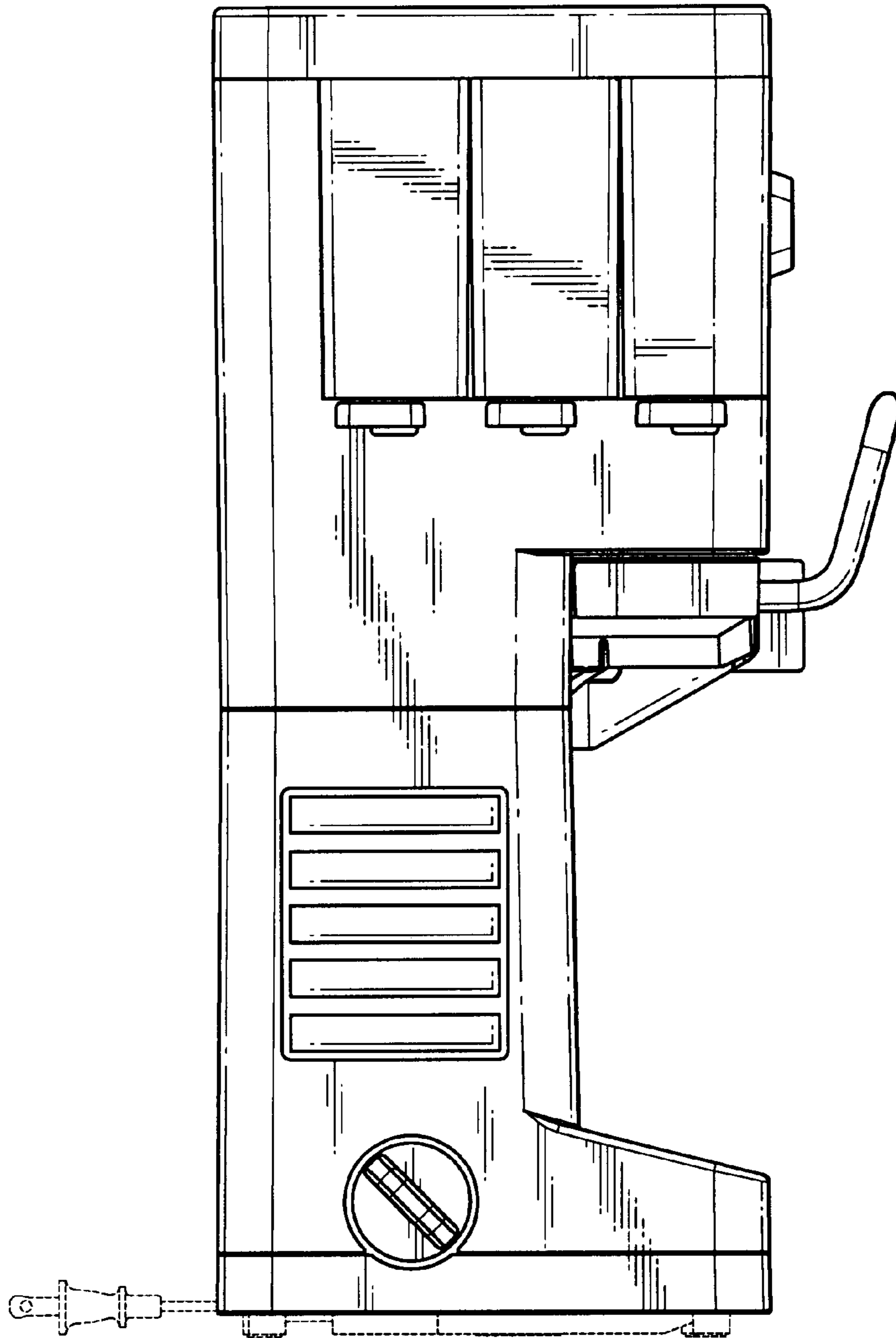


FIG. 3

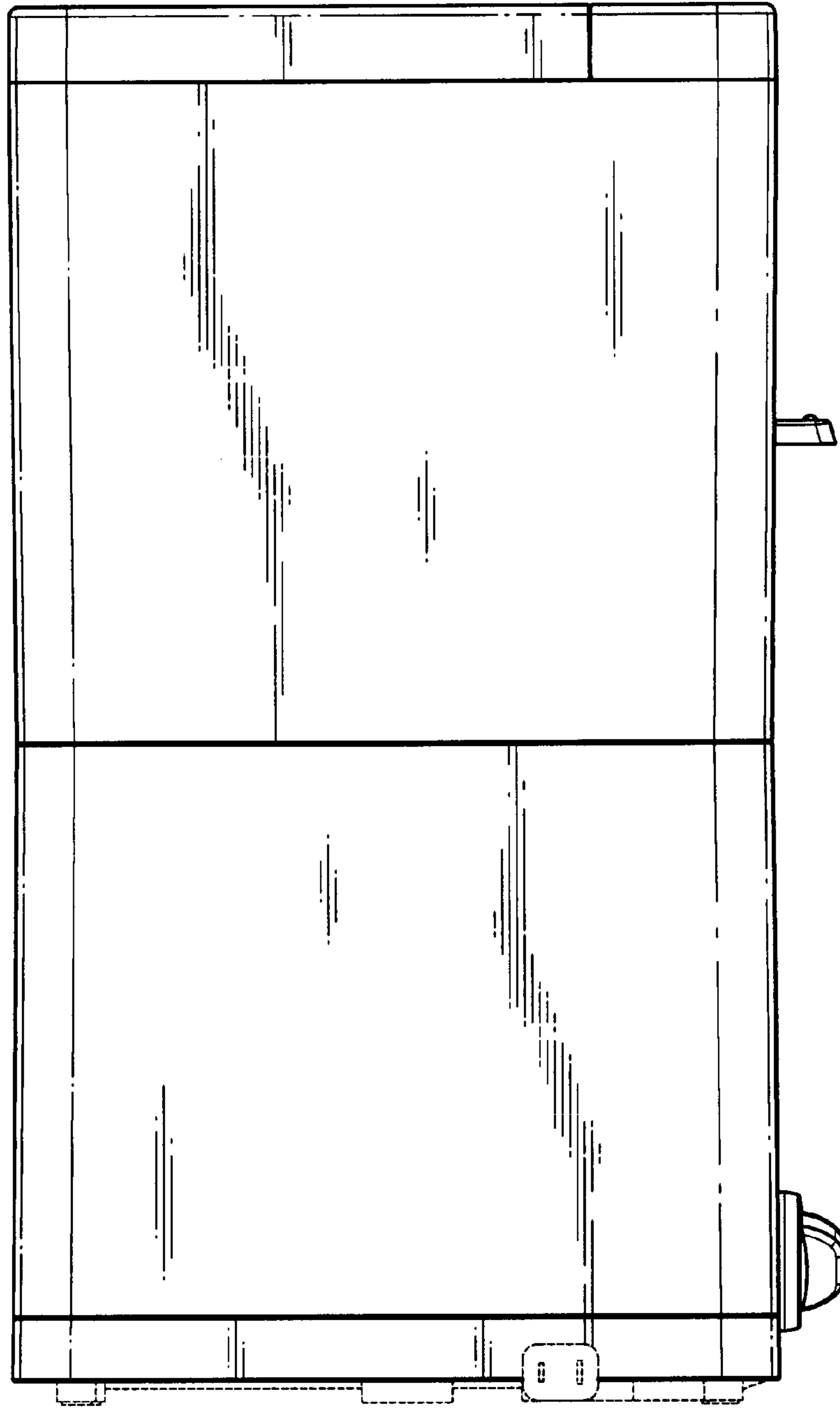


FIG. 4

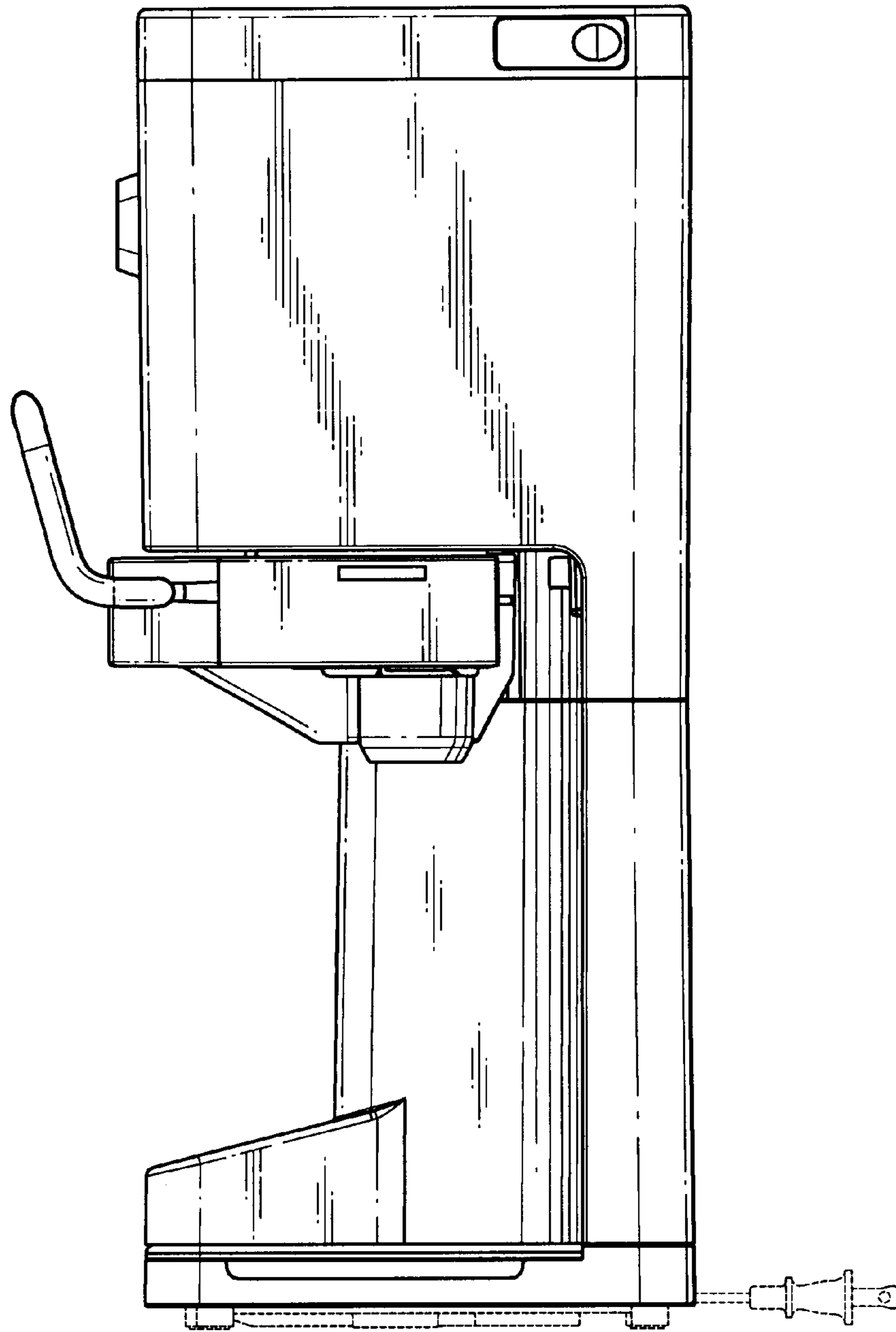


FIG. 5

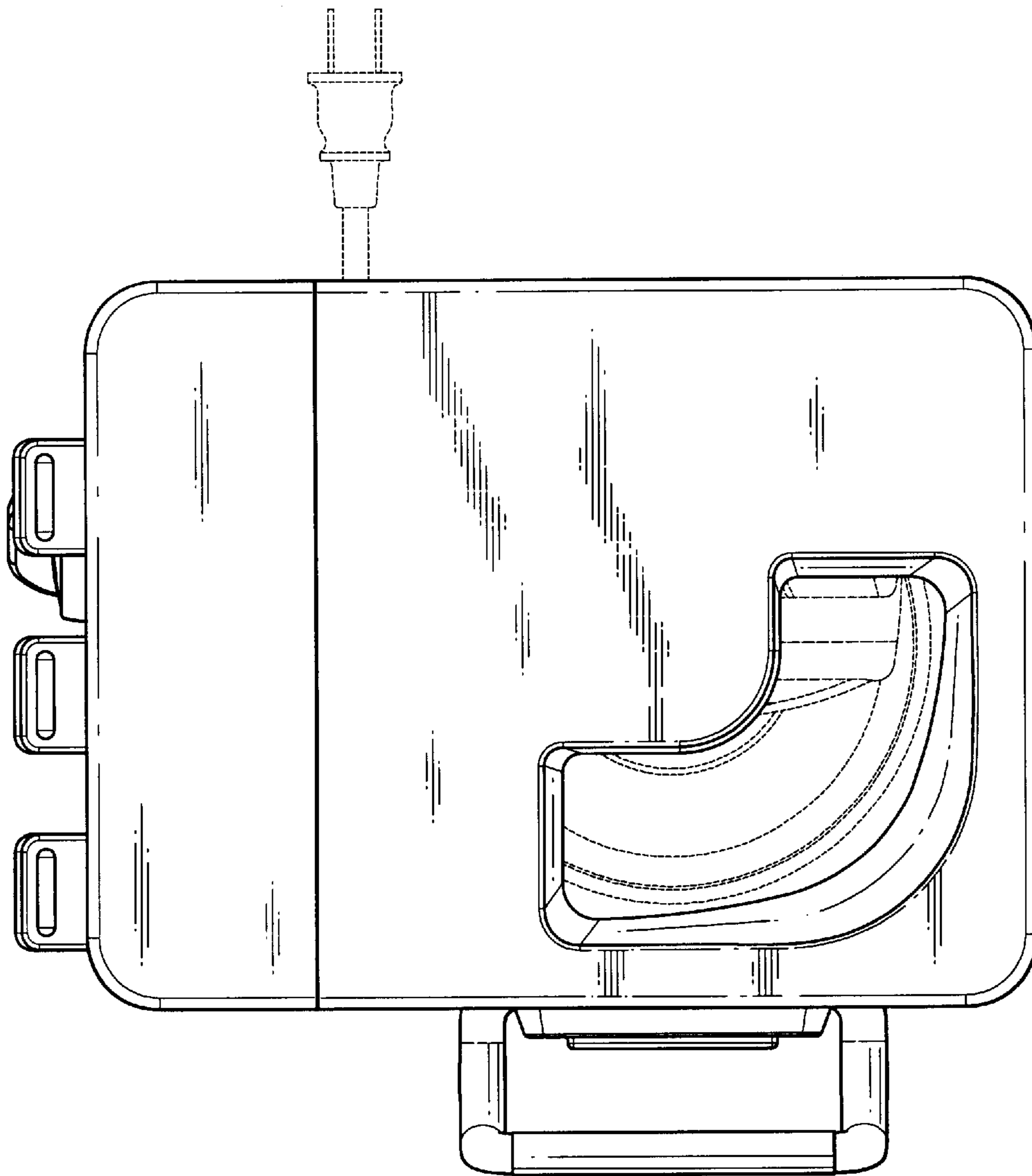


FIG. 6

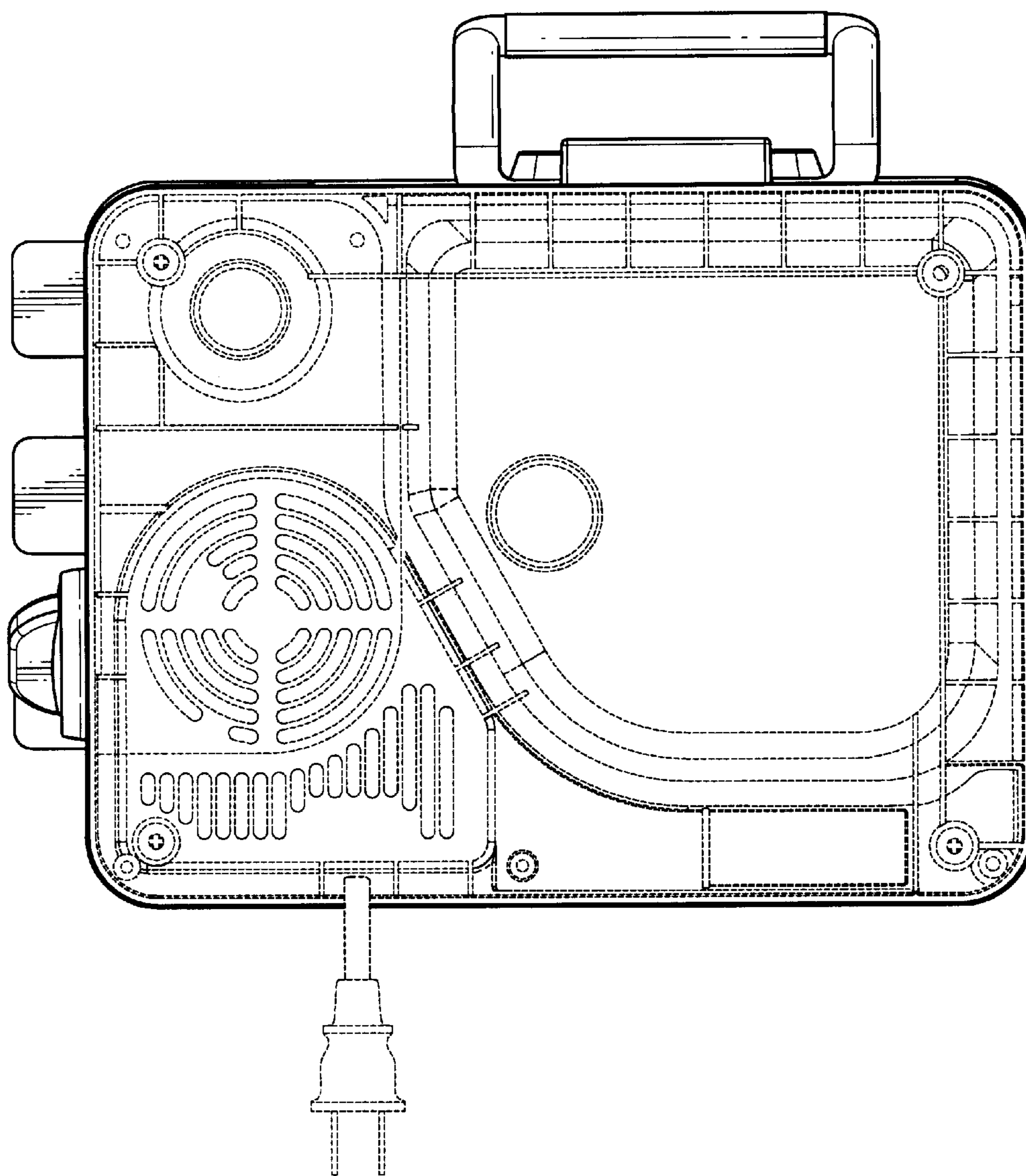


FIG. 7