

US00D535665S

(12) **United States Design Patent**
Hoffman

(10) **Patent No.:** **US D535,665 S**
(45) **Date of Patent:** **** Jan. 23, 2007**

(54) **CARBURETOR VENT MANIFOLD**

(76) Inventor: **Harry Hoffman**, 990 Riverton Dr., San Carlos, CA (US) 94070

(**) Term: **14 Years**

(21) Appl. No.: **29/233,557**

(22) Filed: **Jul. 5, 2005**

(51) **LOC (8) Cl.** **15-01**

(52) **U.S. Cl.** **D15/6**

(58) **Field of Classification Search** D15/1-6;
261/23.2, 44.4, DIG. 12
See application file for complete search history.

(56) **References Cited**

U.S. PATENT DOCUMENTS

D189,074 S	*	10/1960	Korte et al.	D15/6
D230,641 S	*	3/1974	Mpwbray	D15/6
D280,726 S	*	9/1985	Ruter	D15/6
D457,168 S	*	5/2002	Braswell	D15/6

OTHER PUBLICATIONS

http://www.markburkhart.com/DSCN4090_226x278.jpg

* cited by examiner

Primary Examiner—Alan P. Douglas

Assistant Examiner—Maurice Stevens

(74) *Attorney, Agent, or Firm*—Stahl Law Firm

(57) **CLAIM**

I claim the ornamental design for a carburetor vent manifold, as shown and described.

DESCRIPTION

FIG. 1 is an elevational view from the side of a carburetor vent manifold;

FIG. 2 is perspective view thereof;

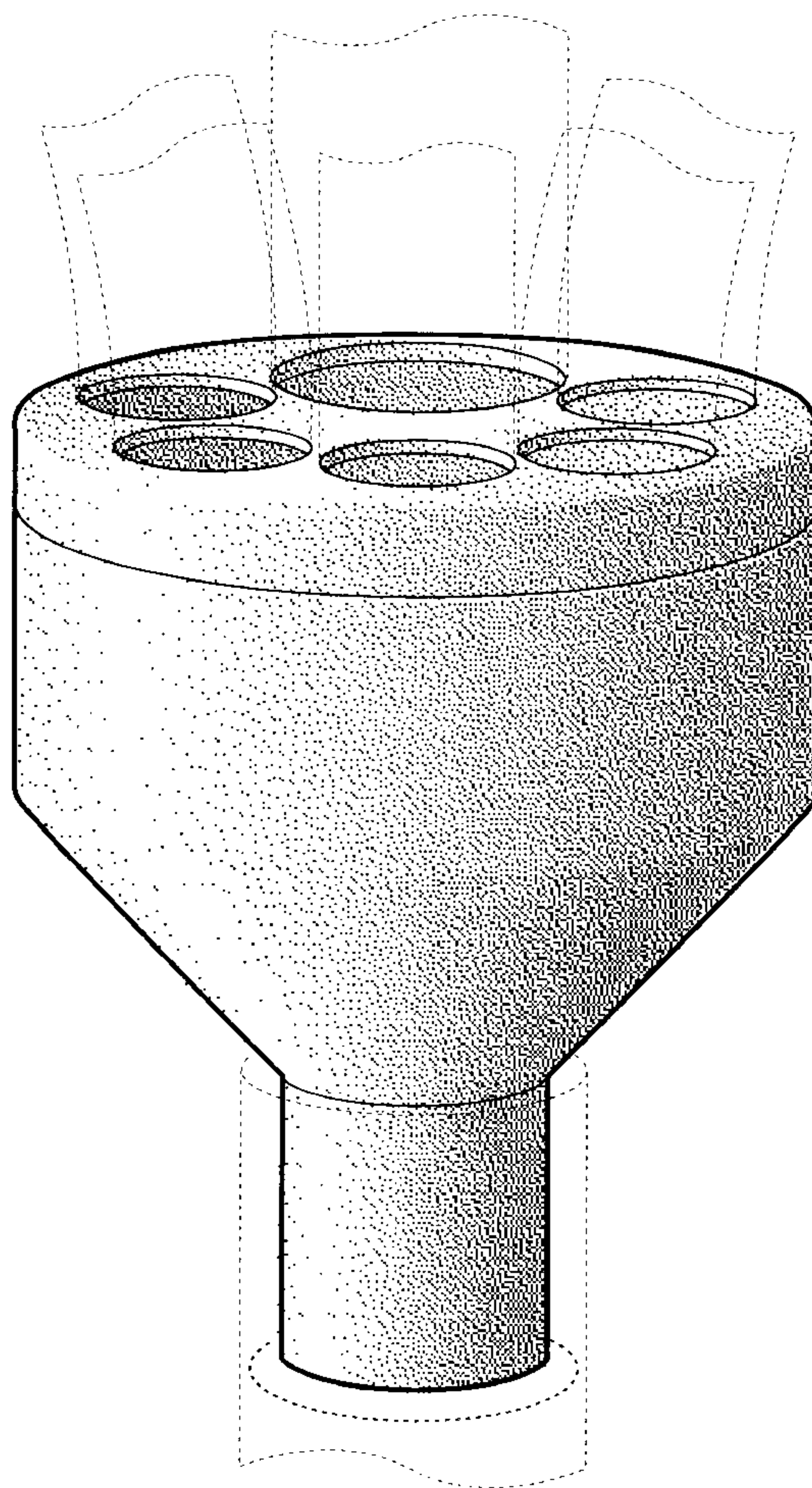
FIG. 3 is another perspective view thereof;

FIG. 4 is another perspective view thereof; and,

FIG. 5 is another perspective view thereof.

The broken lines showing of the environment is for illustration purposes only and forms no part of the claimed design. The broken lines which define the boundaries of the claimed design form no part thereof.

1 Claim, 5 Drawing Sheets



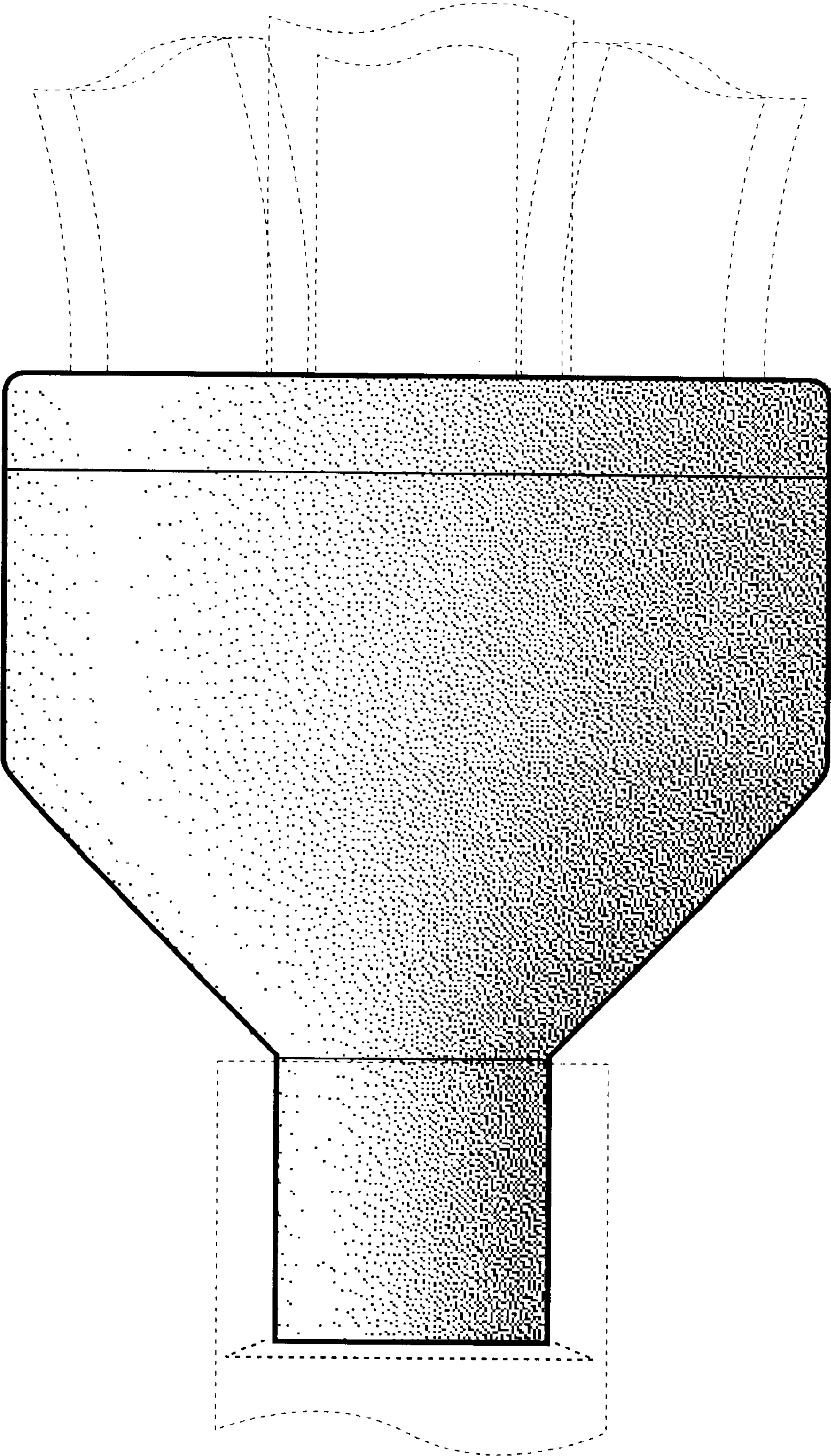


Fig. 1

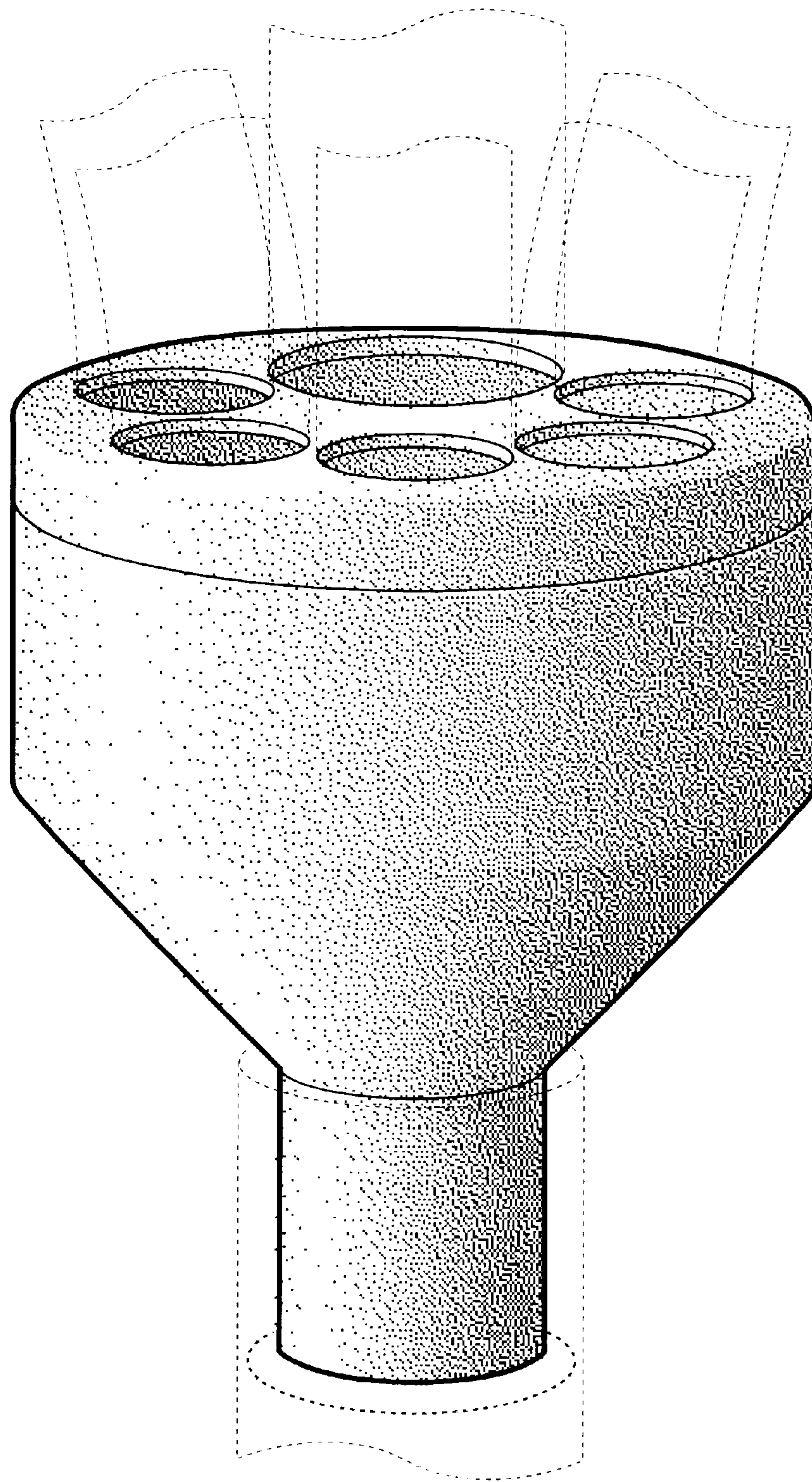


Fig. 2

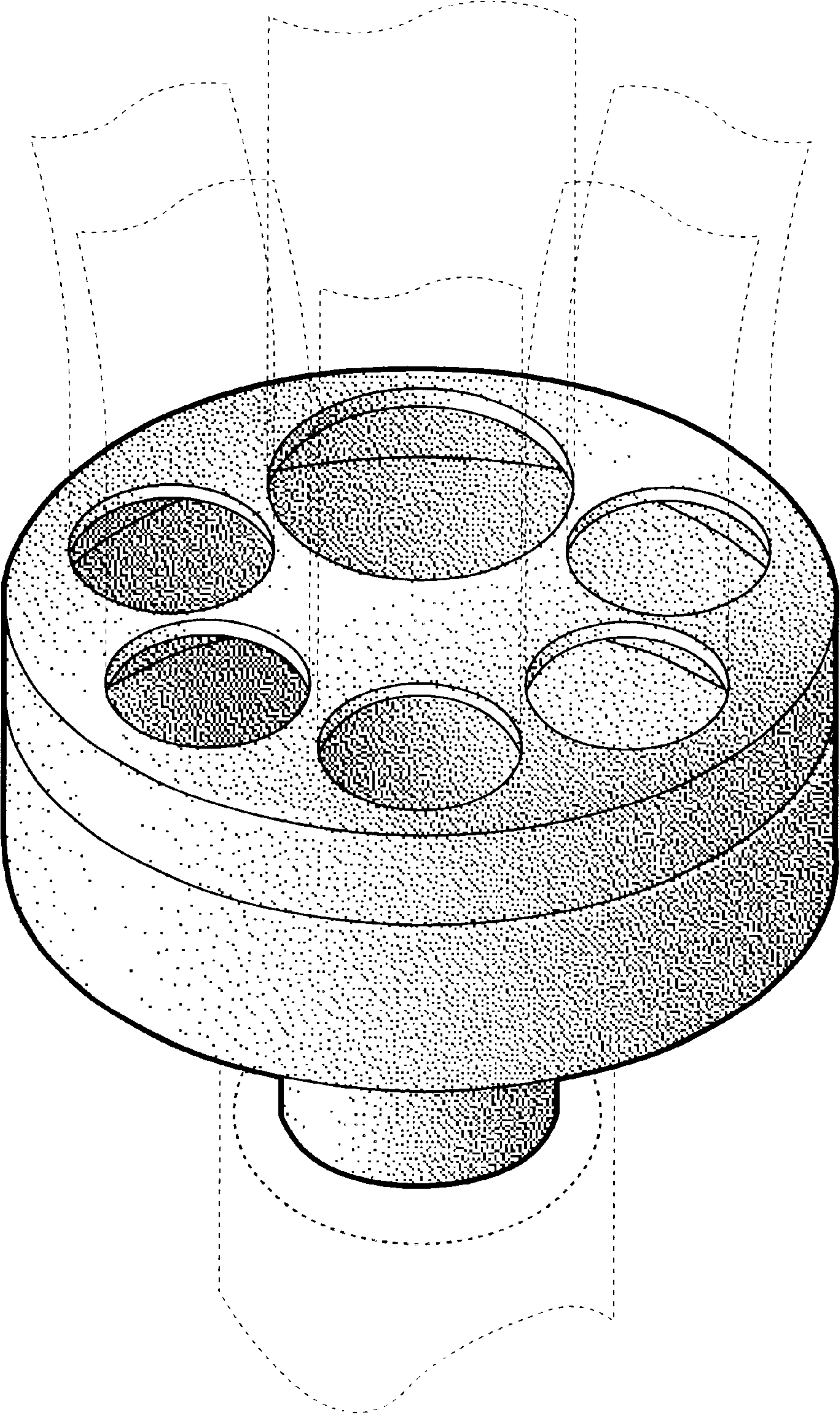


Fig. 3

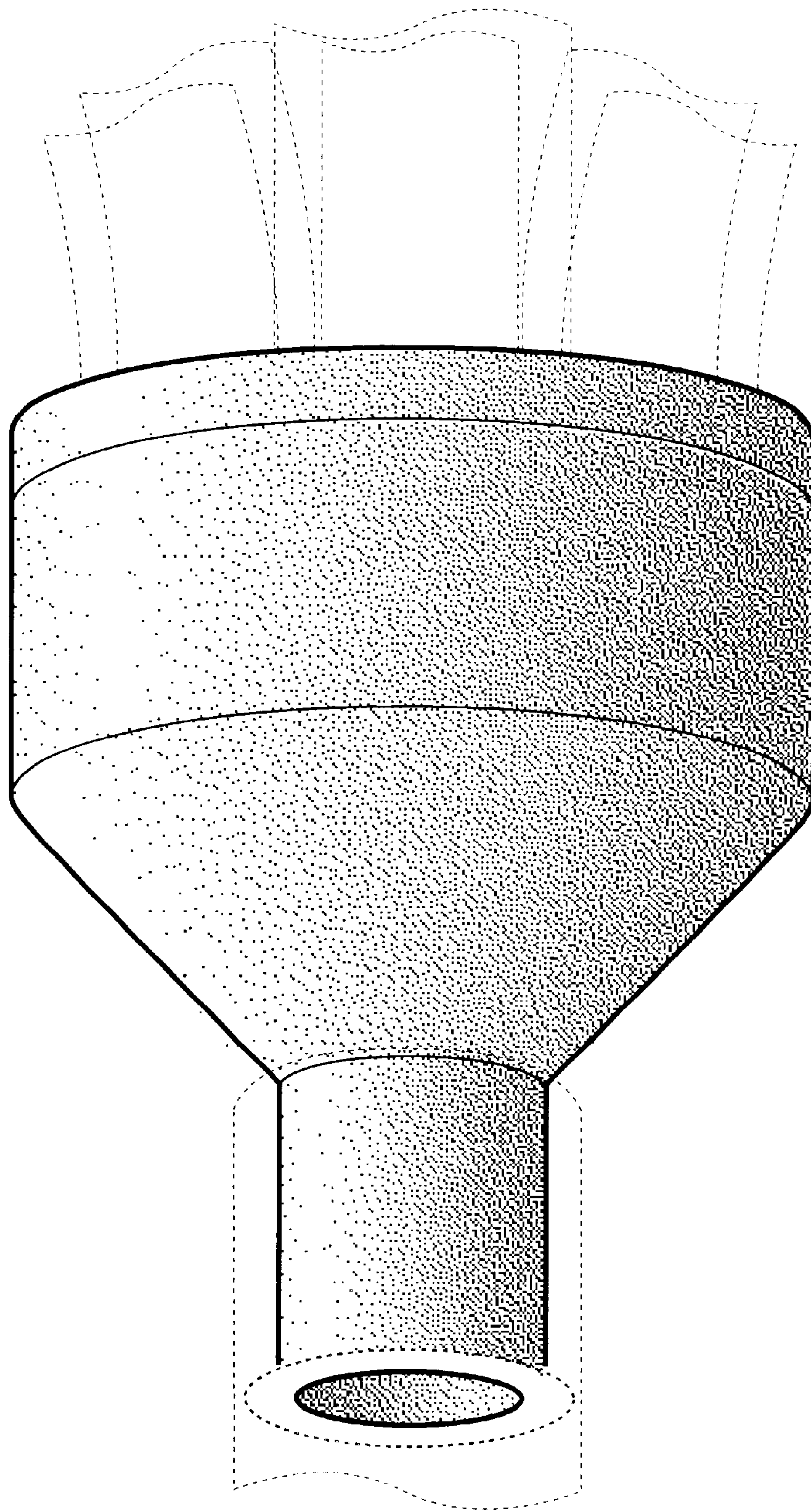


Fig. 4

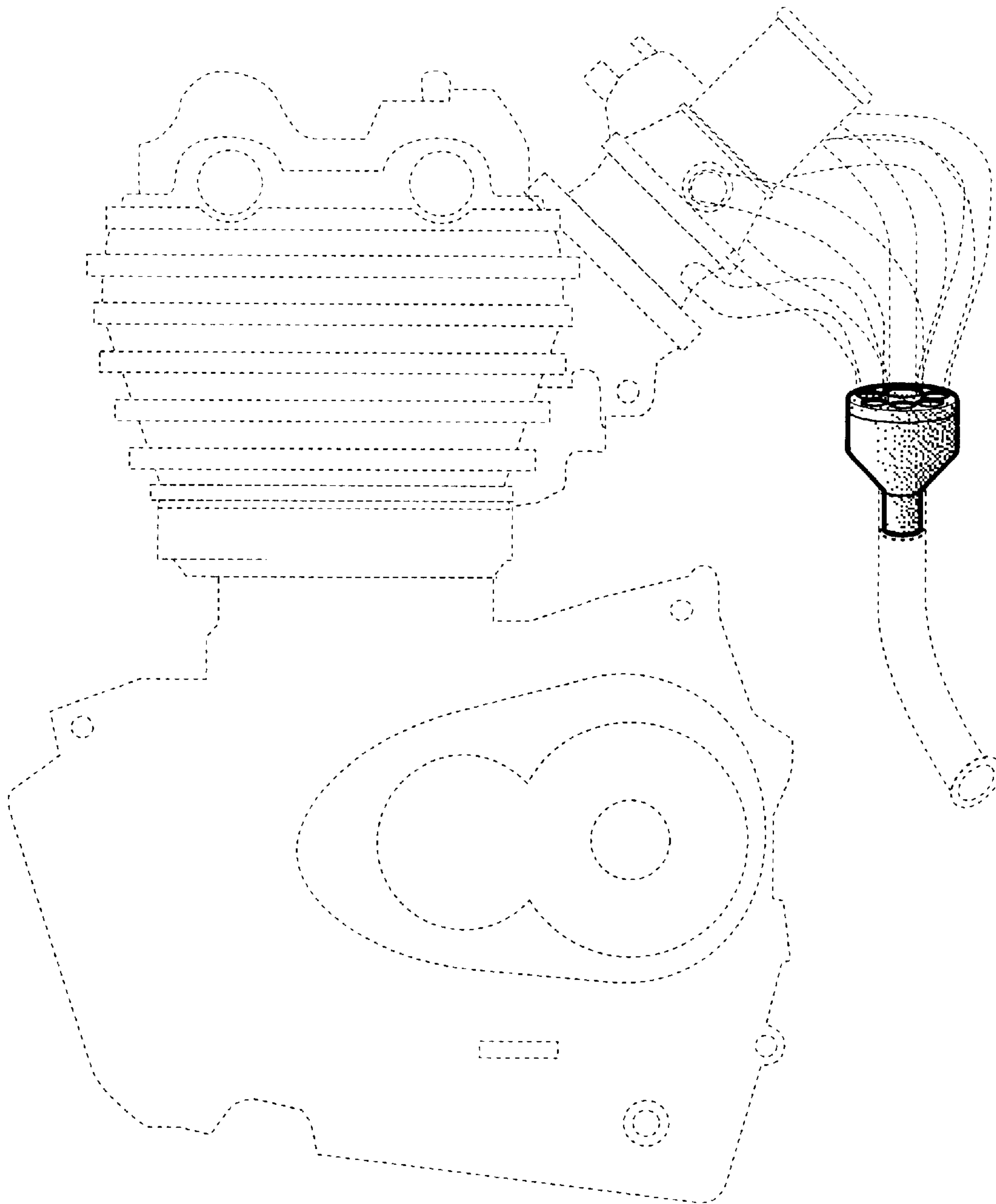


Fig. 5