



US00D535664S

(12) **United States Design Patent**
Katayama

(10) **Patent No.:** **US D535,664 S**

(45) **Date of Patent:** **** Jan. 23, 2007**

(54) **IMAGE DATA RECORDER**

(75) Inventor: **Noriko Katayama**, Tokyo (JP)

(73) Assignee: **Fuji Photo Film Co., Ltd.**, Kanagawa (JP)

(**) Term: **14 Years**

(21) Appl. No.: **29/221,238**

(22) Filed: **Jan. 14, 2005**

(30) **Foreign Application Priority Data**

Jul. 14, 2004 (JP) 2004-021277

(51) **LOC (8) Cl.** **14-03**

(52) **U.S. Cl.** **D14/496; D14/167; D14/474**

(58) **Field of Classification Search** D14/474,
D14/496, 157, 160, 167, 168; 455/344-351;
346/51; 348/33 R, 24, 44; 358/296, 305;
355/40; 386/1, 46; 369/1, 2, 4, 12, 75.11,
369/83, 272.1; 463/43, 46, 47

See application file for complete search history.

(56) **References Cited**

U.S. PATENT DOCUMENTS

- 4,003,058 A * 1/1977 Entwistle 347/232
- 4,574,319 A * 3/1986 Konishi 348/231.6
- 4,709,263 A * 11/1987 Brumage 348/42
- 5,107,350 A * 4/1992 Omori 358/461

- 5,519,125 A * 5/1996 Potter et al. 536/23.6
- D396,860 S * 8/1998 Yasutomi D14/168
- 6,198,526 B1 * 3/2001 Ohtsuka 355/40
- D489,053 S * 4/2004 Nakamura D14/167
- 6,724,974 B1 * 4/2004 Naruto et al. 386/46
- 6,816,190 B1 * 11/2004 Miyazawa 348/231.6
- D502,166 S * 2/2005 Nakamura D14/167
- D510,094 S * 9/2005 Bolton et al. D14/496
- D514,563 S * 2/2006 Kuramashi et al. D14/358

* cited by examiner

Primary Examiner—Prabhakar Deshmukh

(74) *Attorney, Agent, or Firm*—Young & Thompson

(57) **CLAIM**

The ornamental design for an image data recorder, as shown and described.

DESCRIPTION

FIG. 1 is a top, front and side perspective view of an image data recorder, showing my new design;
FIG. 2 is a front elevational view thereof;
FIG. 3 is a rear elevational view thereof;
FIG. 4 is a top plan view thereof;
FIG. 5 is a bottom plan view thereof; and,
FIG. 6 is a side elevational view thereof from the left of FIG. 2, the side elevational view thereof from the right of FIG. 2 being identical thereto.

1 Claim, 3 Drawing Sheets

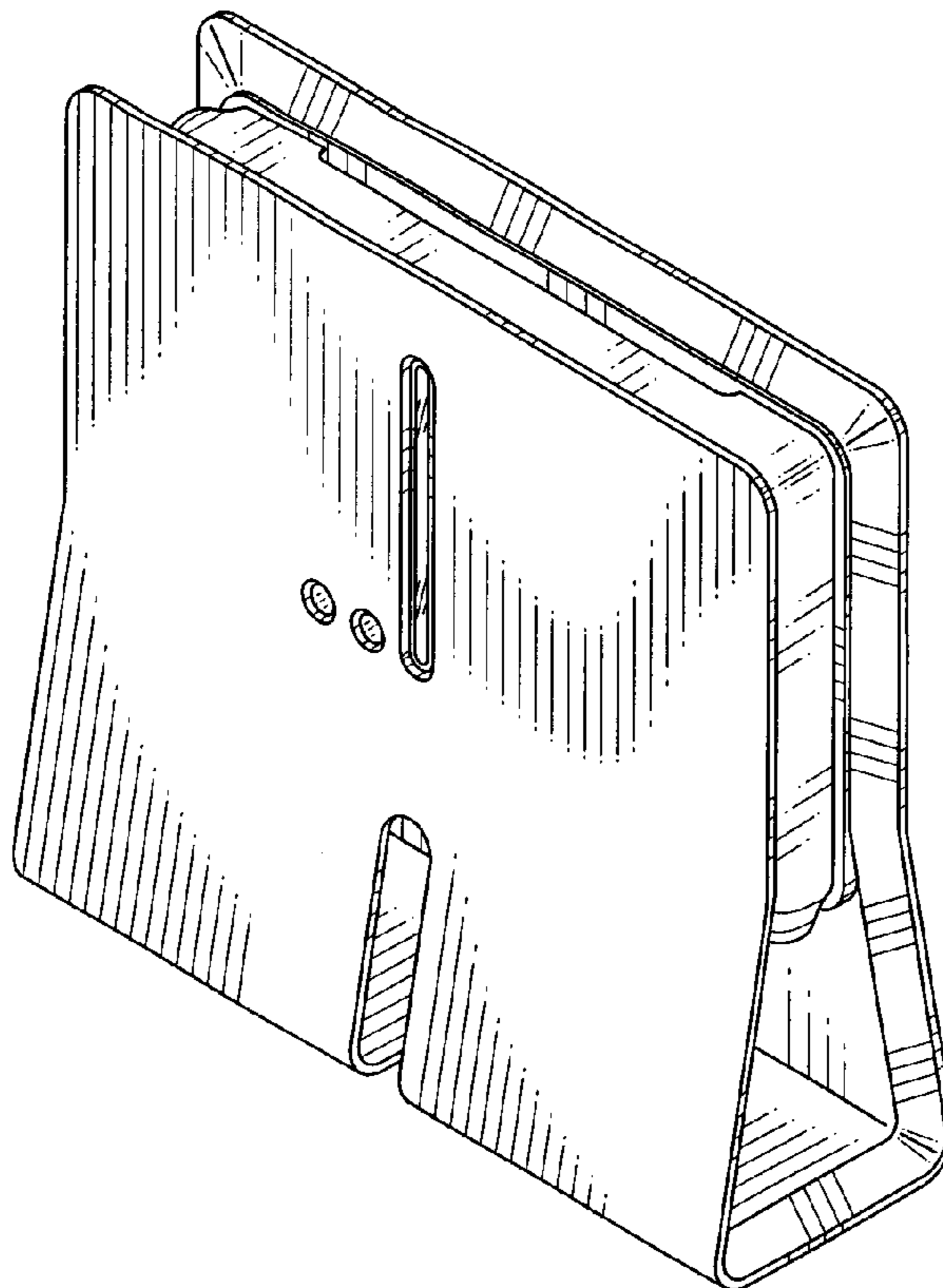


FIG.1

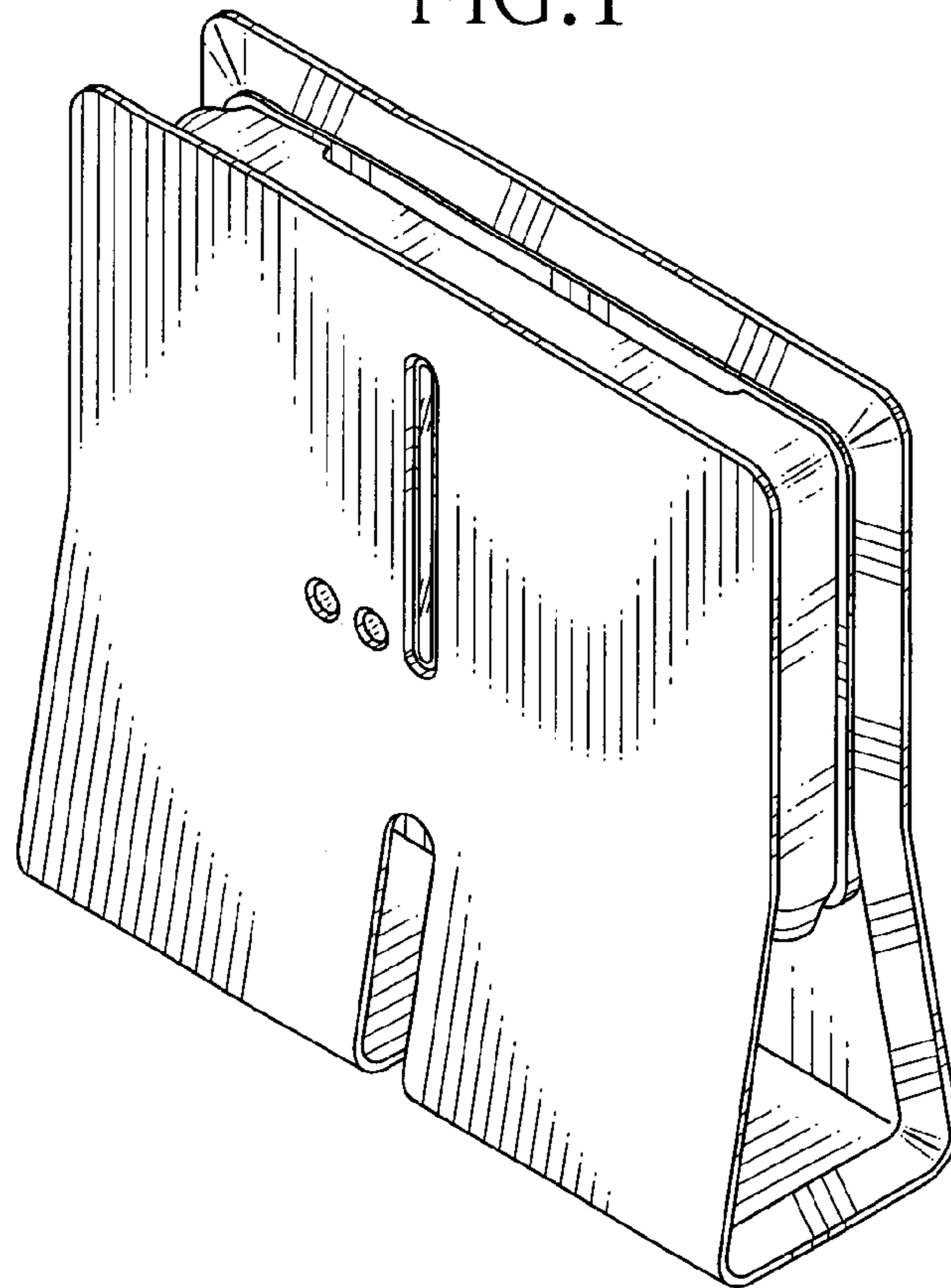


FIG.2

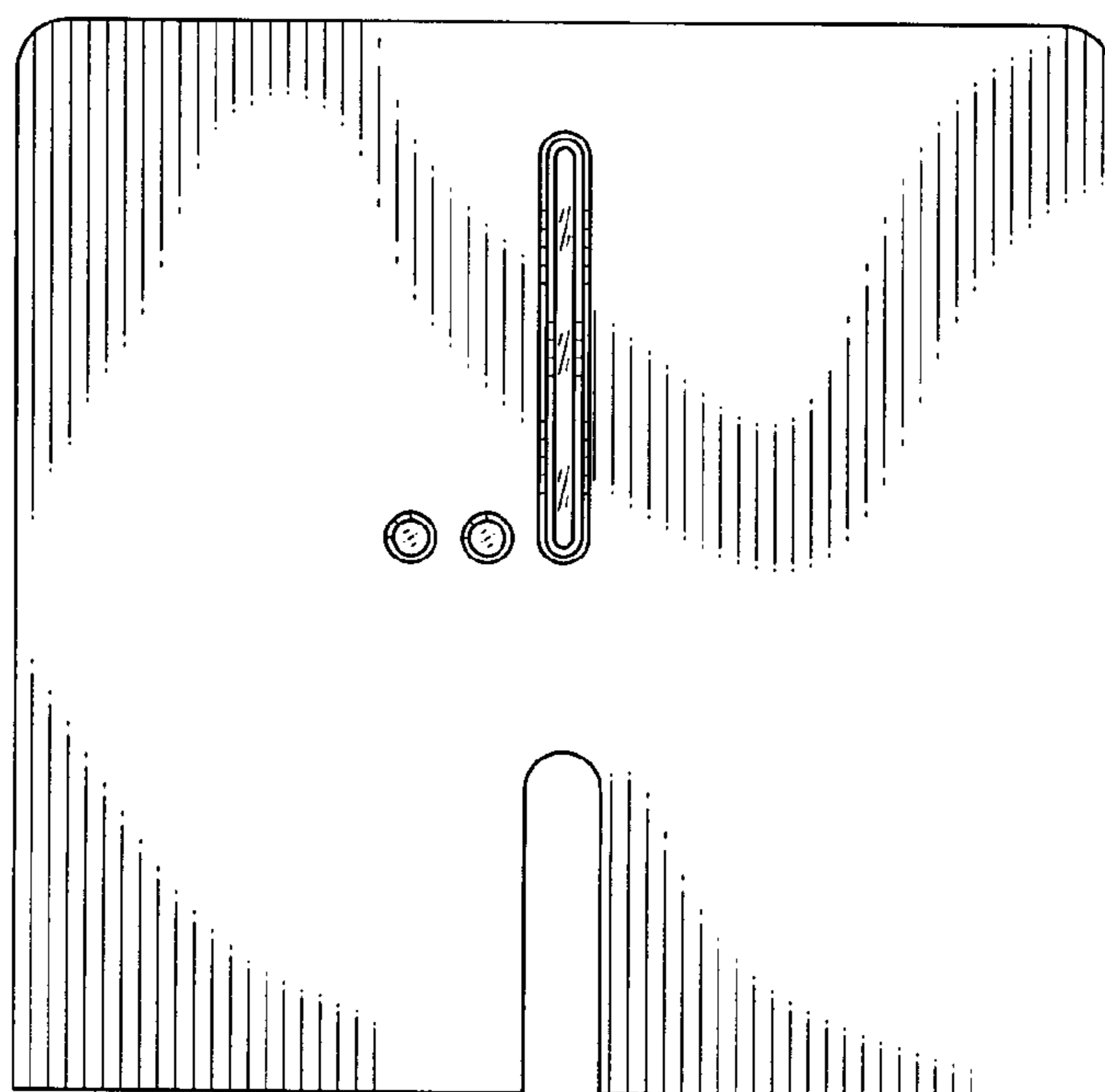


FIG.3

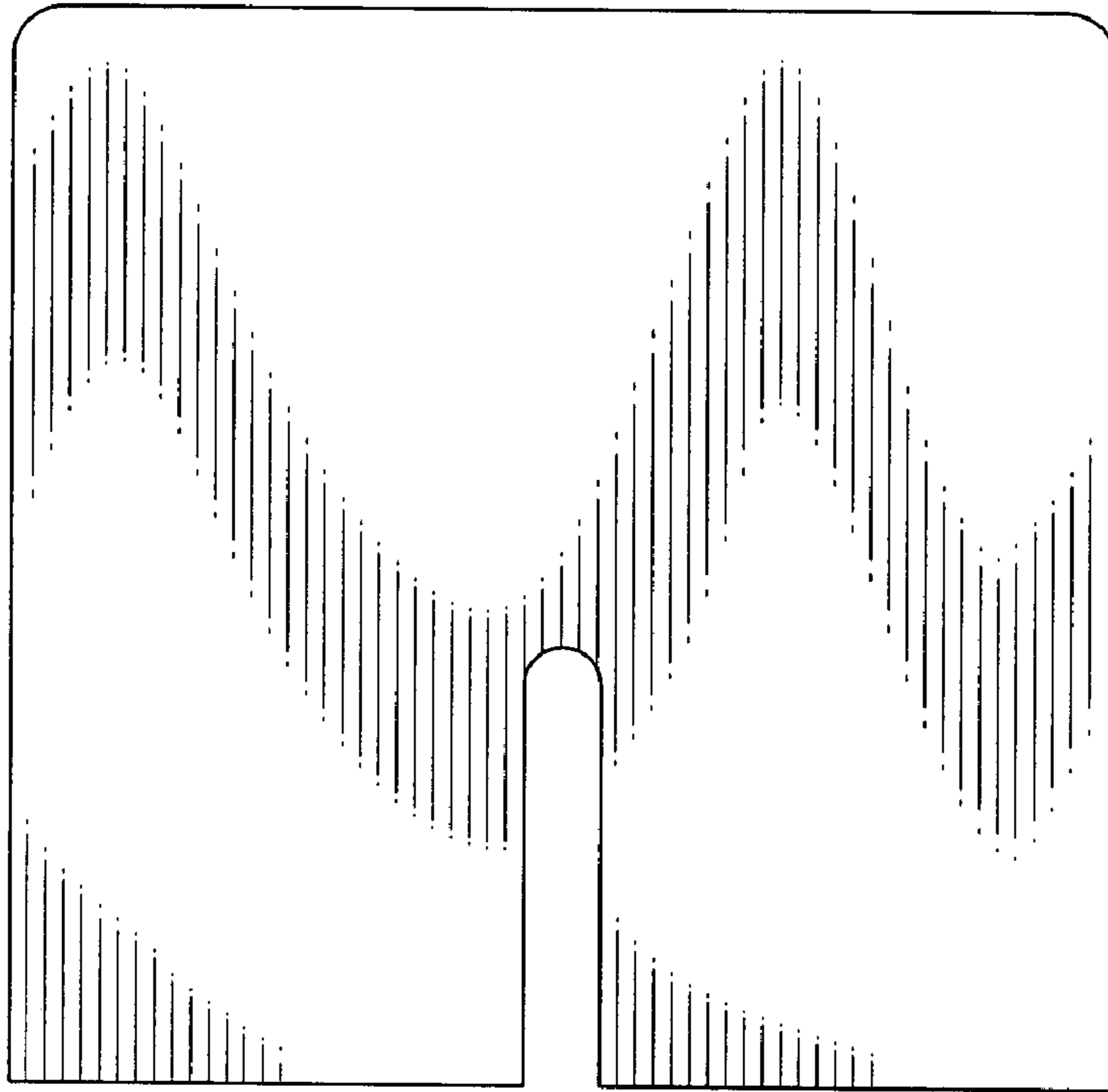


FIG.4

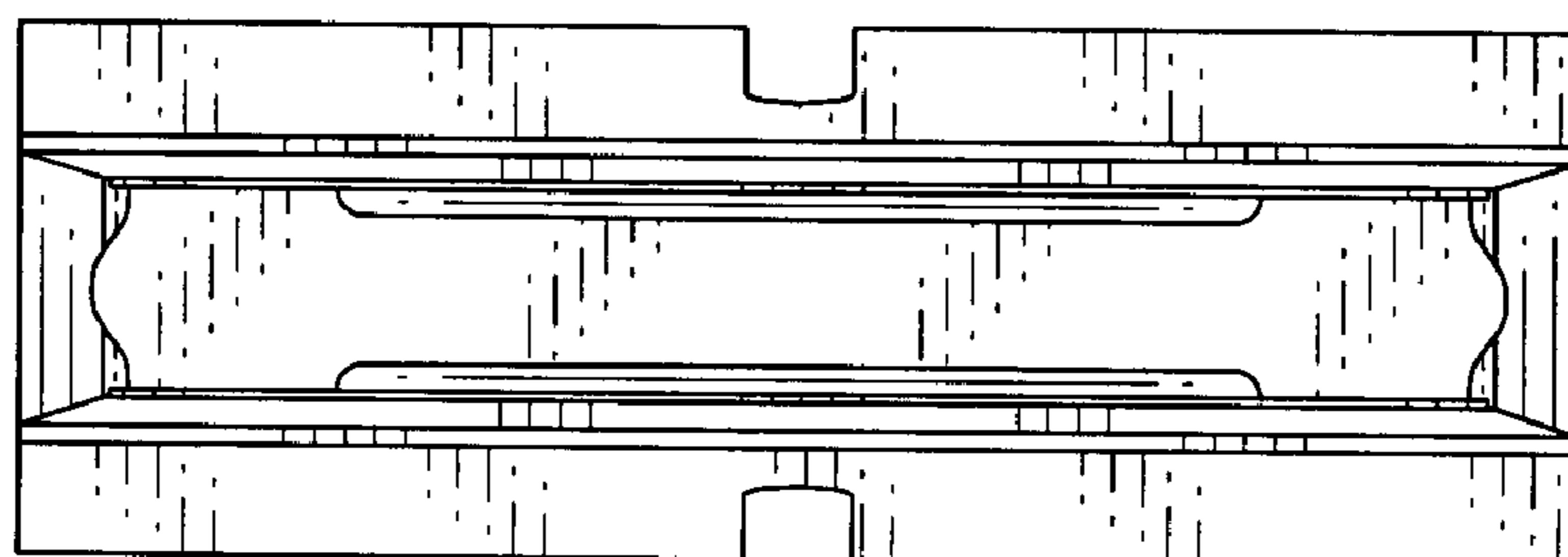


FIG.5

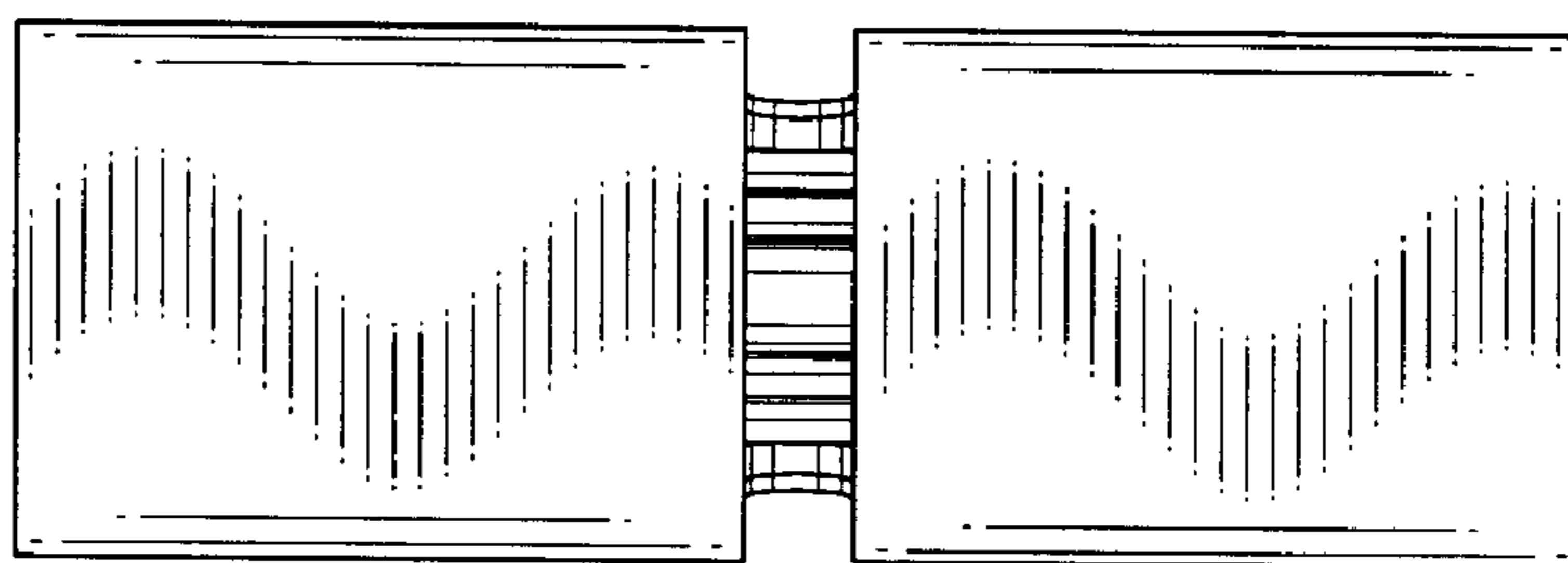


FIG.6

