



US00D535655S

(12) **United States Design Patent**  
**Araki**

(10) **Patent No.:** **US D535,655 S**

(45) **Date of Patent:** **\*\* Jan. 23, 2007**

(54) **FUNCTION EXTENSION DEVICE FOR COMPUTER**

(75) Inventor: **Satoshi Araki**, Suginami-ku (JP)

(73) Assignee: **Kabushiki Kaisha Toshiba** (JP)

(\*\*) Term: **14 Years**

(21) Appl. No.: **29/193,446**

(22) Filed: **Nov. 12, 2003**

(30) **Foreign Application Priority Data**

Aug. 6, 2003 (JP) ..... 2003-022768

(51) **LOC (8) Cl.** ..... **14-02**

(52) **U.S. Cl.** ..... **D14/439**

(58) **Field of Classification Search** ..... D14/434,  
D14/447, 439; D13/146-7, 184, 199; 361/686,  
361/683, 684; 439/540.1, 638-9, 676  
See application file for complete search history.

(56) **References Cited**

**U.S. PATENT DOCUMENTS**

D368,704 S	*	4/1996	Tanaka	.....	D14/434
D378,676 S	*	4/1997	Goodman et al.	.....	D14/447
5,847,924 A	*	12/1998	Youn	.....	361/686
D413,108 S		8/1999	Suzuki		
D415,742 S	*	10/1999	Kolls	.....	D14/434
D451,923 S		12/2001	Lord		
D454,131 S	*	3/2002	Lord	.....	D14/434
D486,492 S	*	2/2004	Sheu et al.	.....	D14/434
2002/0122290 A1	*	9/2002	Davis, IV	.....	361/683
2003/0227746 A1	*	12/2003	Sato	.....	361/686
2004/0174671 A1	*	9/2004	Huang et al.	.....	361/683

**FOREIGN PATENT DOCUMENTS**

JP	0953265	5/1996
JP	0966274	10/1996
JP	0968272	11/1996
JP	1062114	2/2000
JP	1095956	1/2001

\* cited by examiner

*Primary Examiner*—M. H. Tung

(74) *Attorney, Agent, or Firm*—Banner & Witcoff, Ltd.

(57) **CLAIM**

The ornamental design for a function extension device for a computer, as shown and described.

**DESCRIPTION**

FIG. 1 is a front, top and right side perspective view of a function extension device for a computer, showing my new design;

FIG. 2 is a front elevational view thereof;

FIG. 3 is a rear elevational view thereof;

FIG. 4 is a top plan view thereof;

FIG. 5 is a bottom plan view thereof;

FIG. 6 is a right side elevational view thereof;

FIG. 7 is a left side elevational view thereof;

FIG. 8 is a front elevational view thereof with a top plate in a set and rotated state;

FIG. 9 is a top plan view thereof with a top plate in a set and rotated state; and,

FIG. 10 is a right side elevational view thereof with a top plate in a set and rotated state.

**1 Claim, 6 Drawing Sheets**

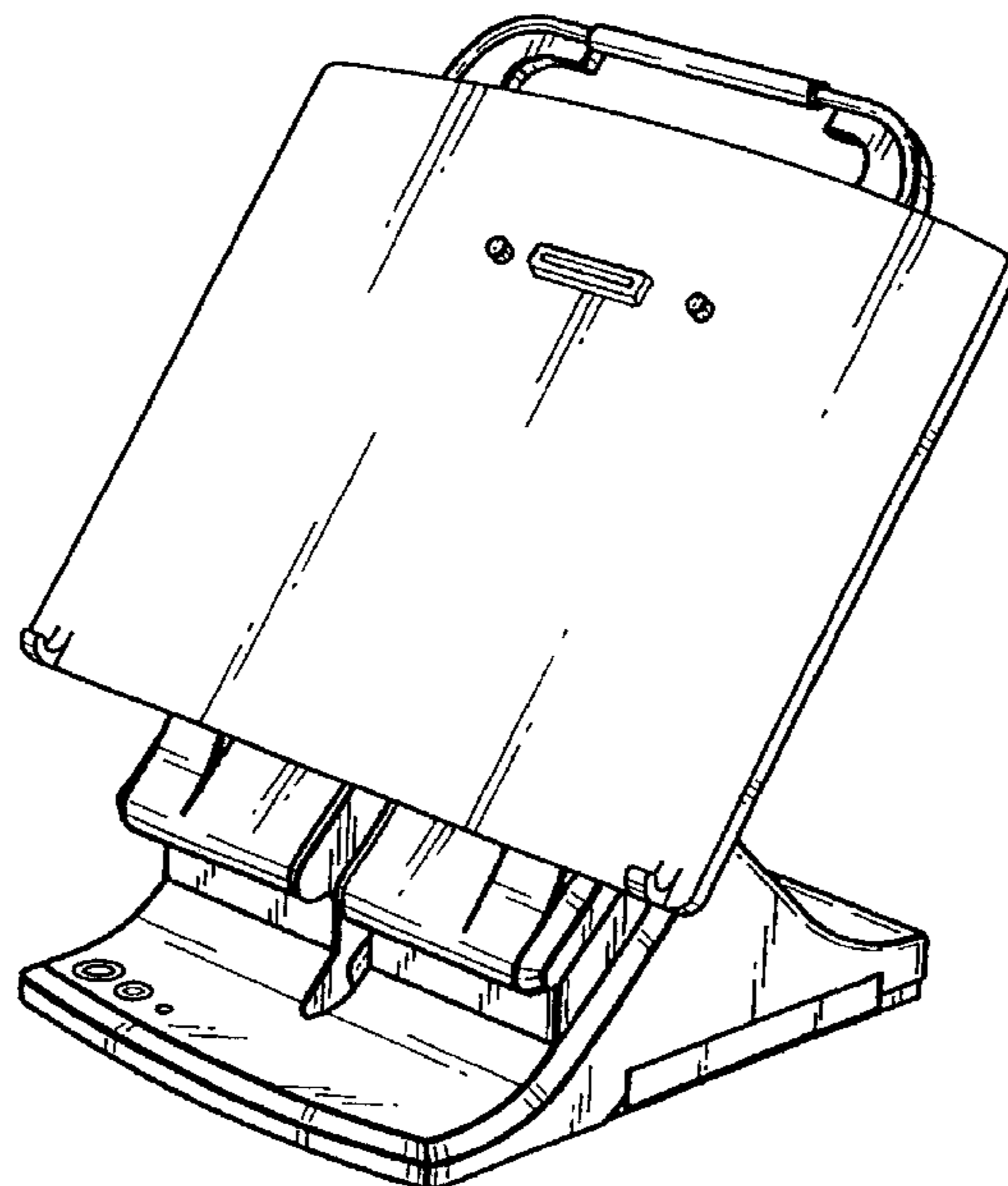


FIG. 1

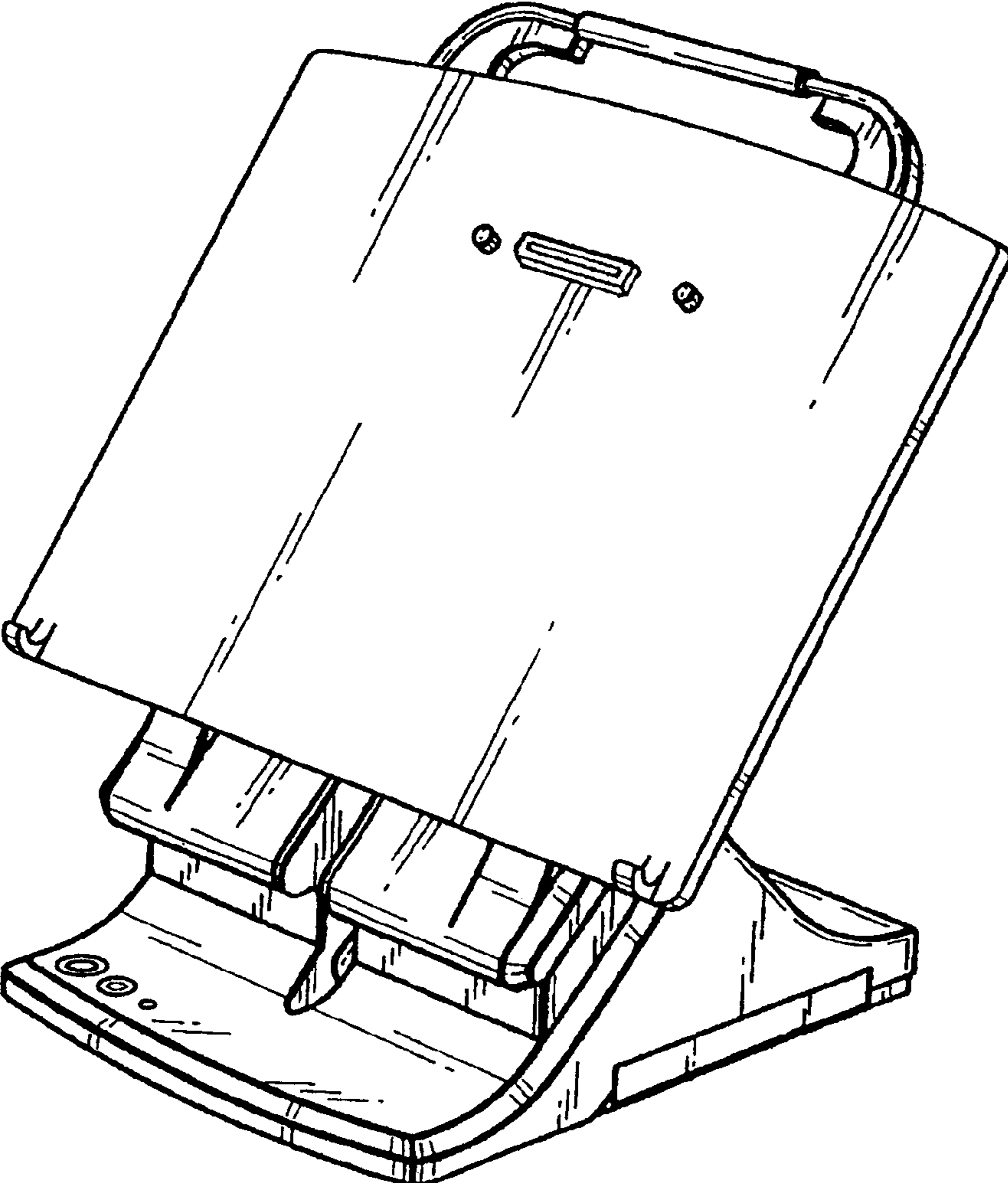


FIG.2

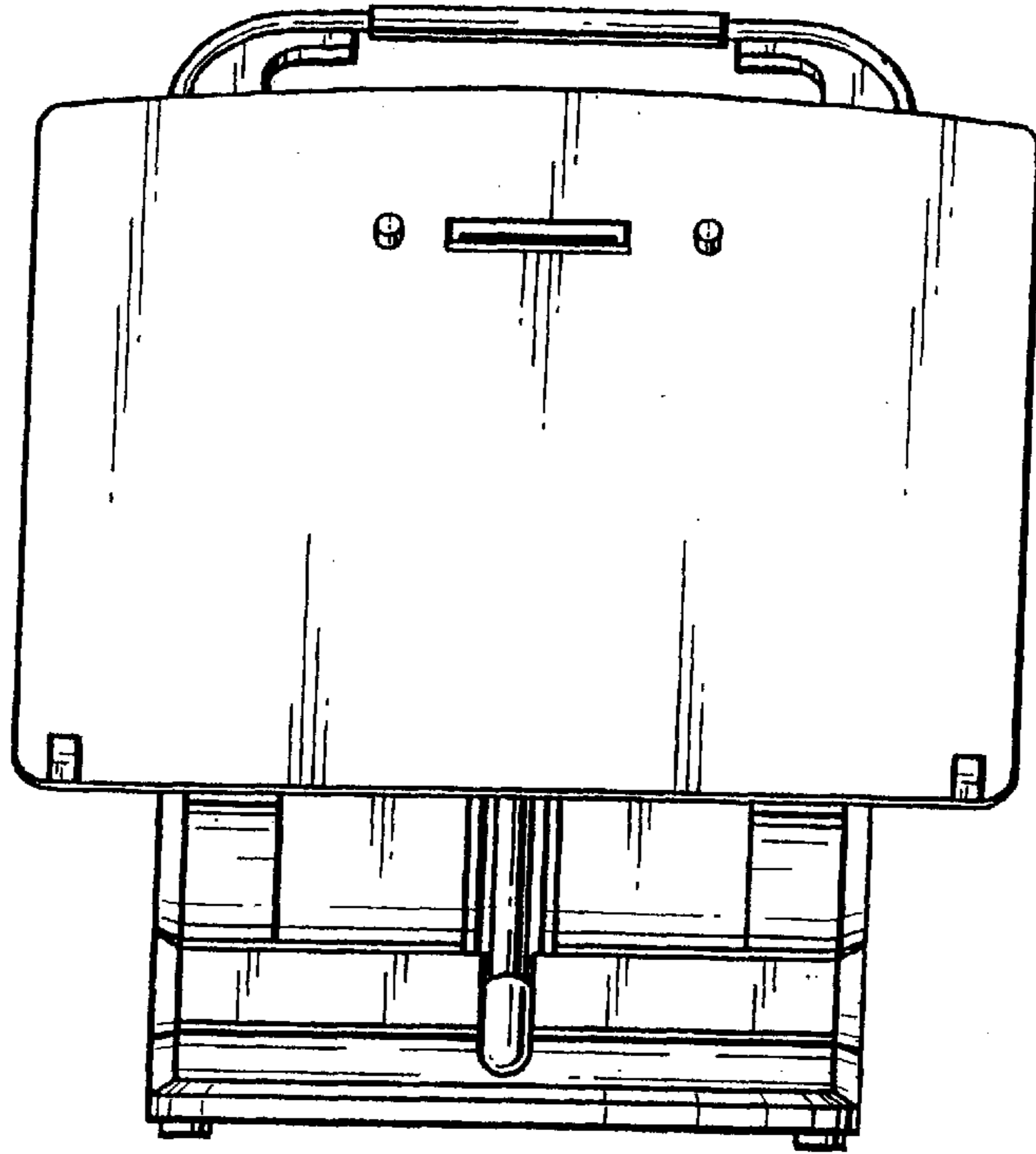


FIG.3

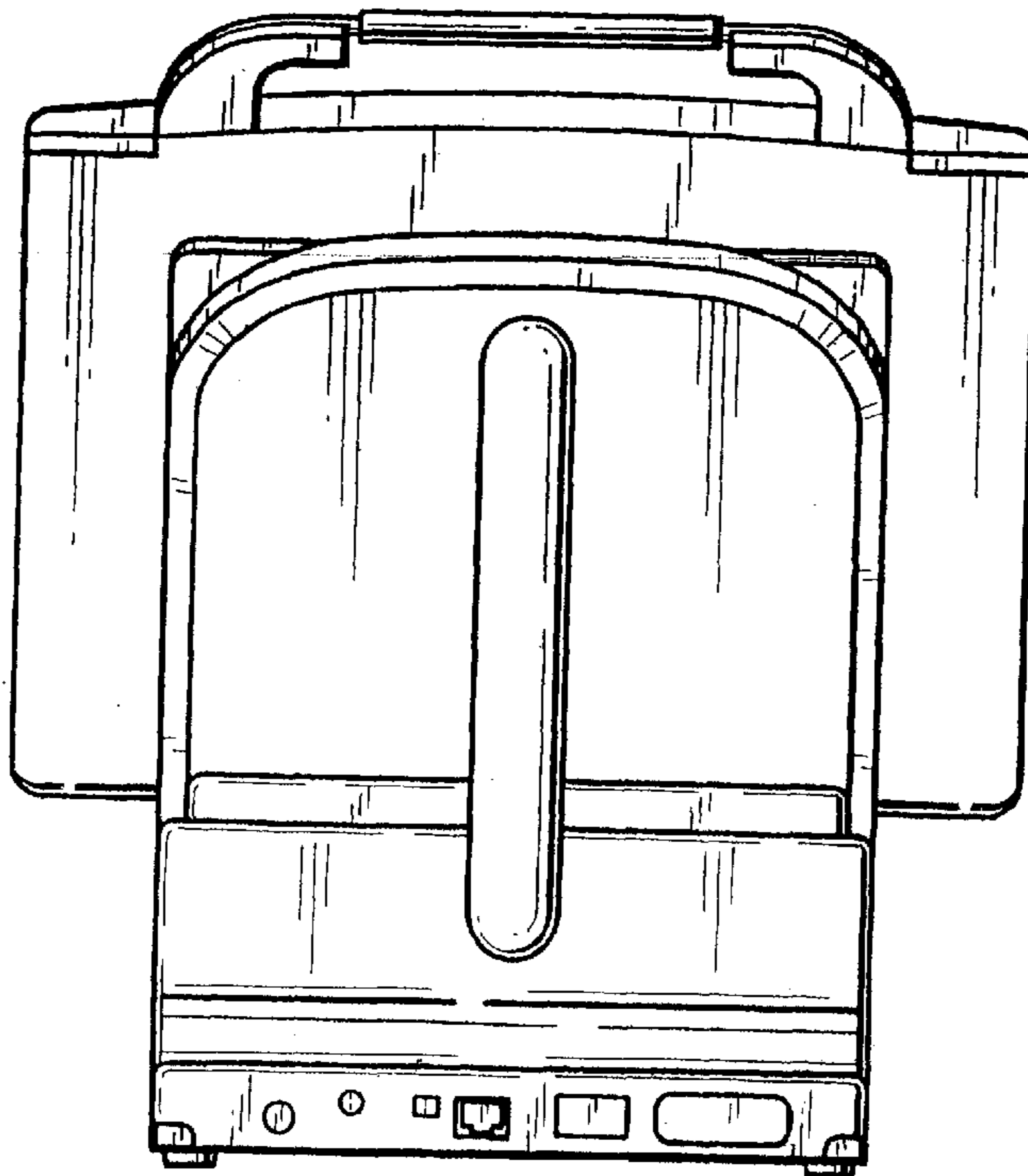


FIG. 4

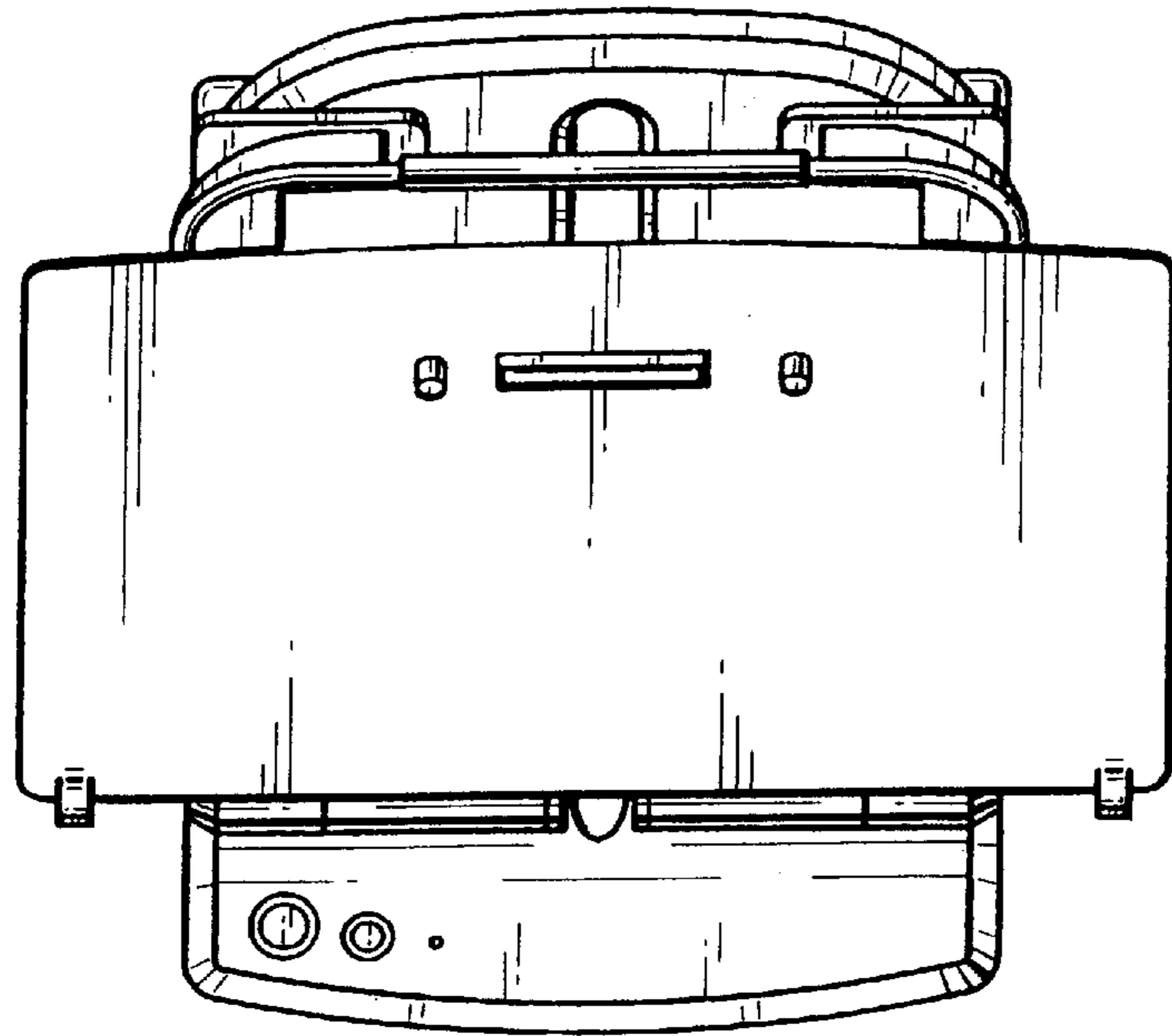


FIG. 5

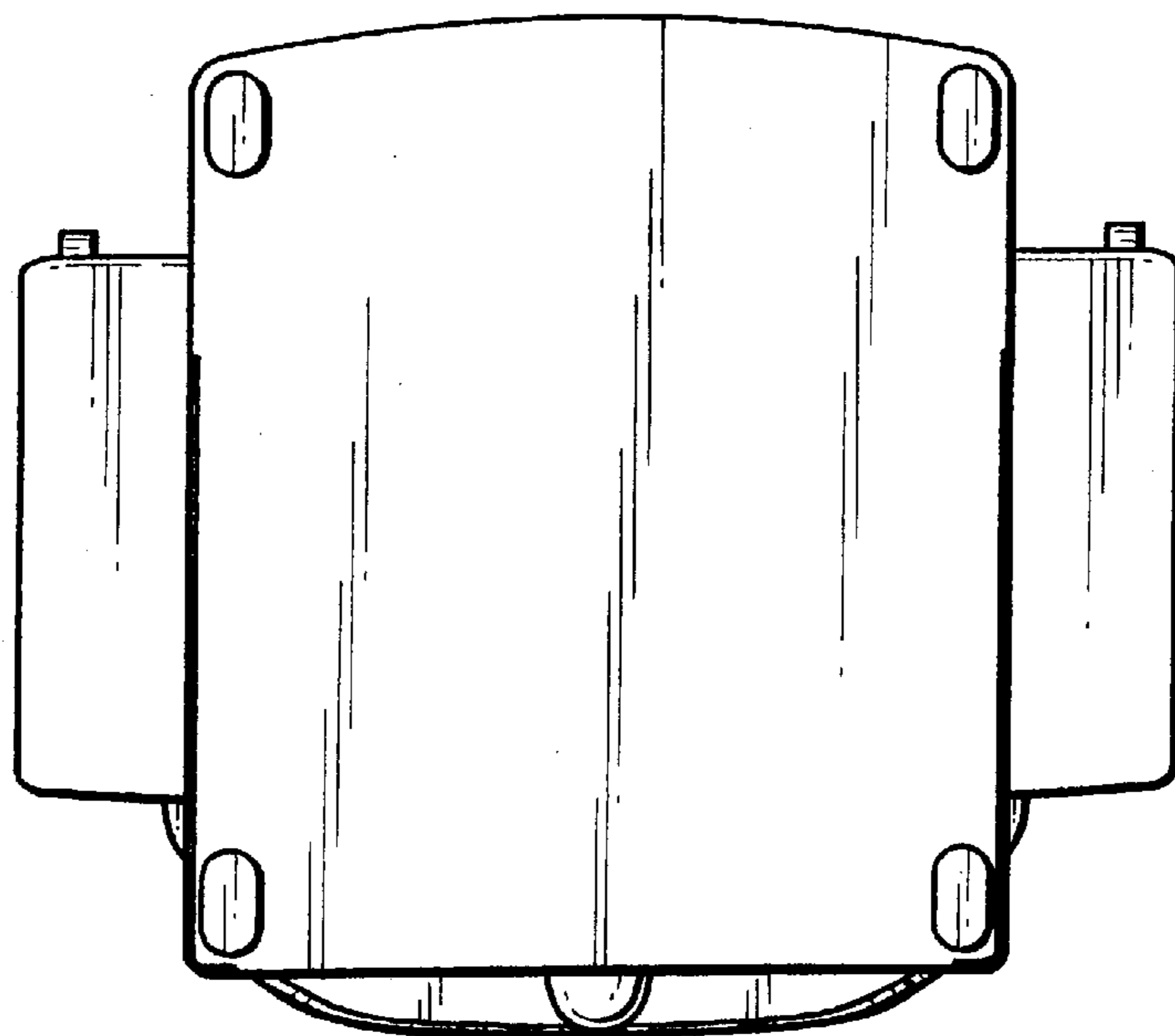


FIG. 6

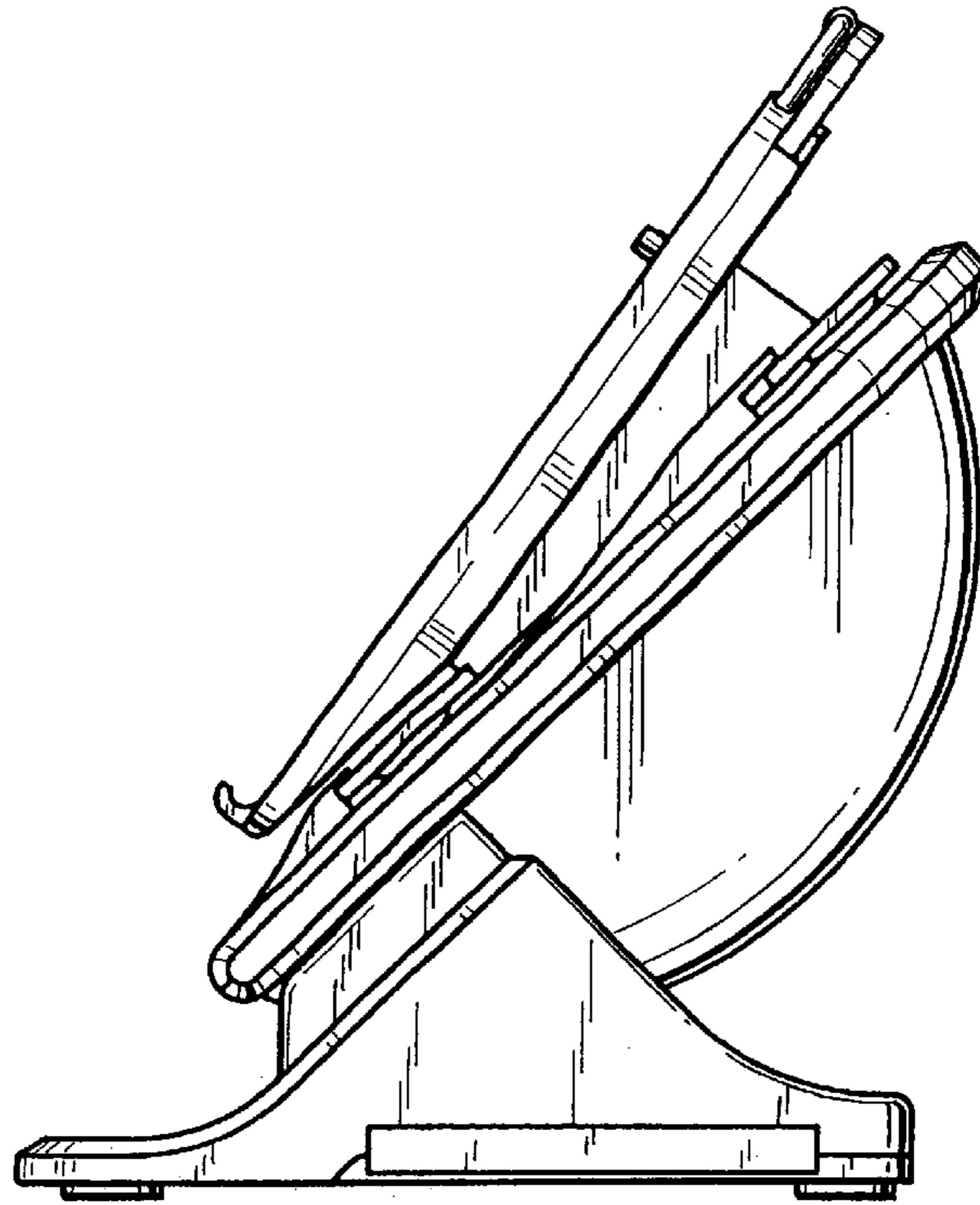


FIG. 7

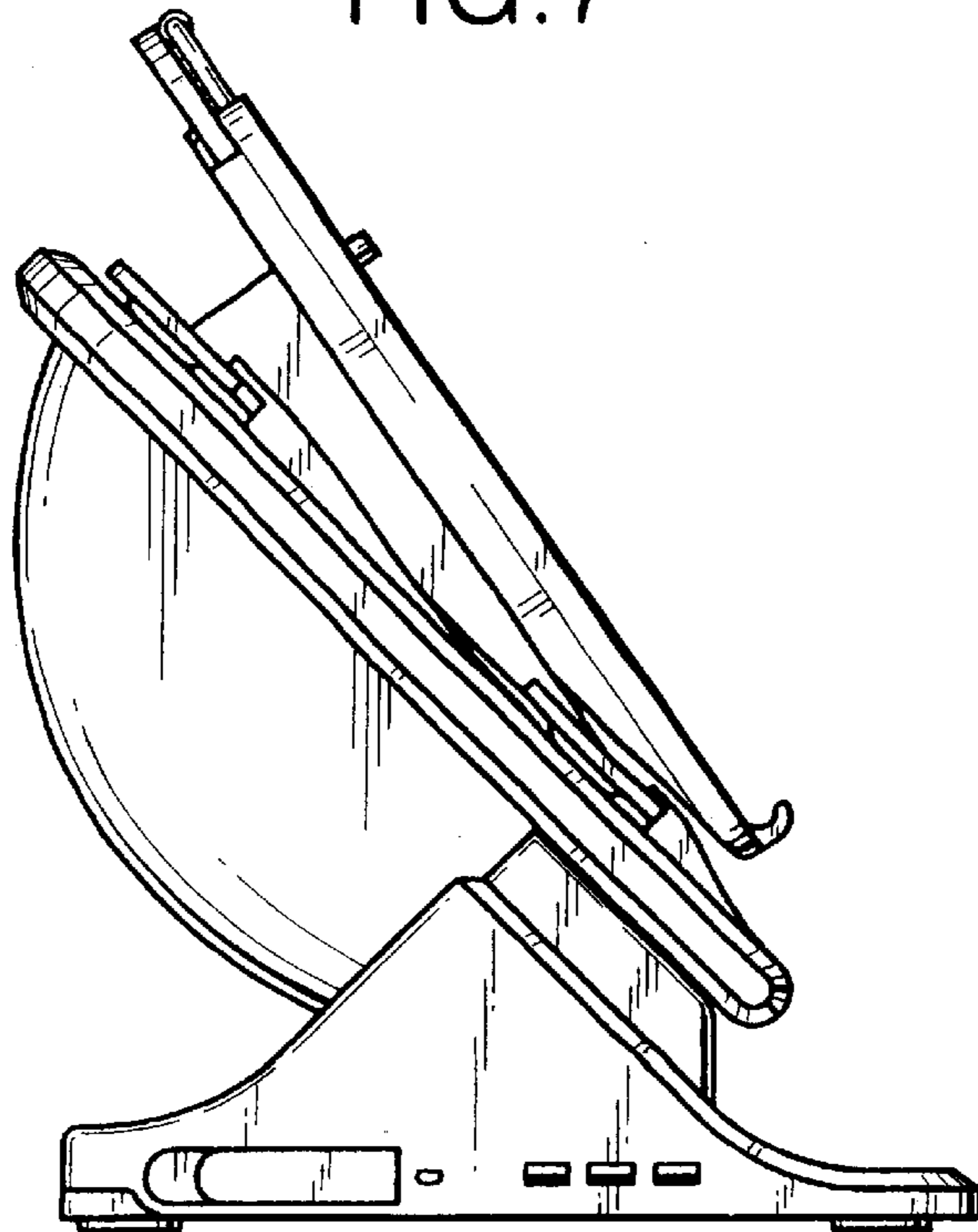


FIG. 8

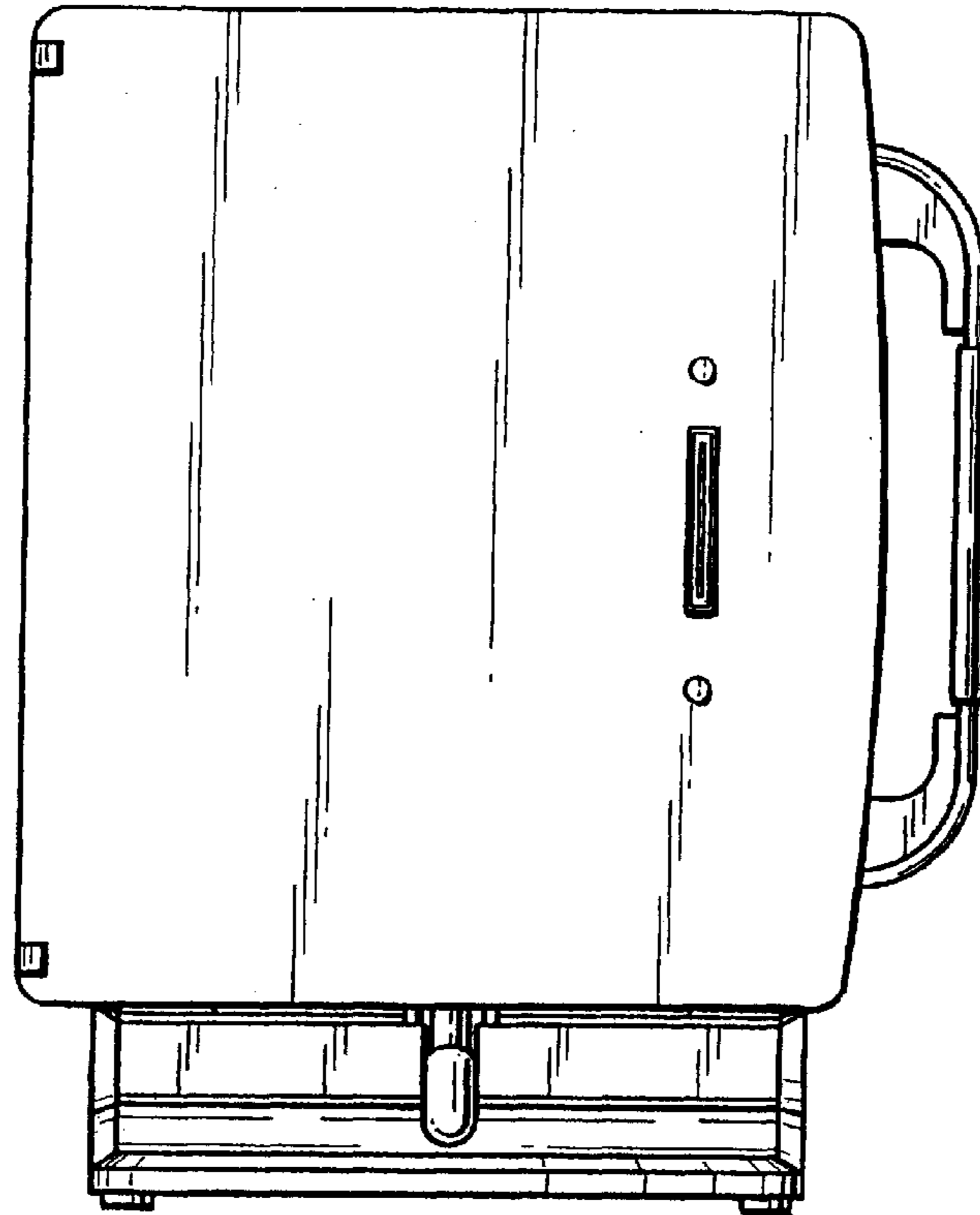


FIG. 9

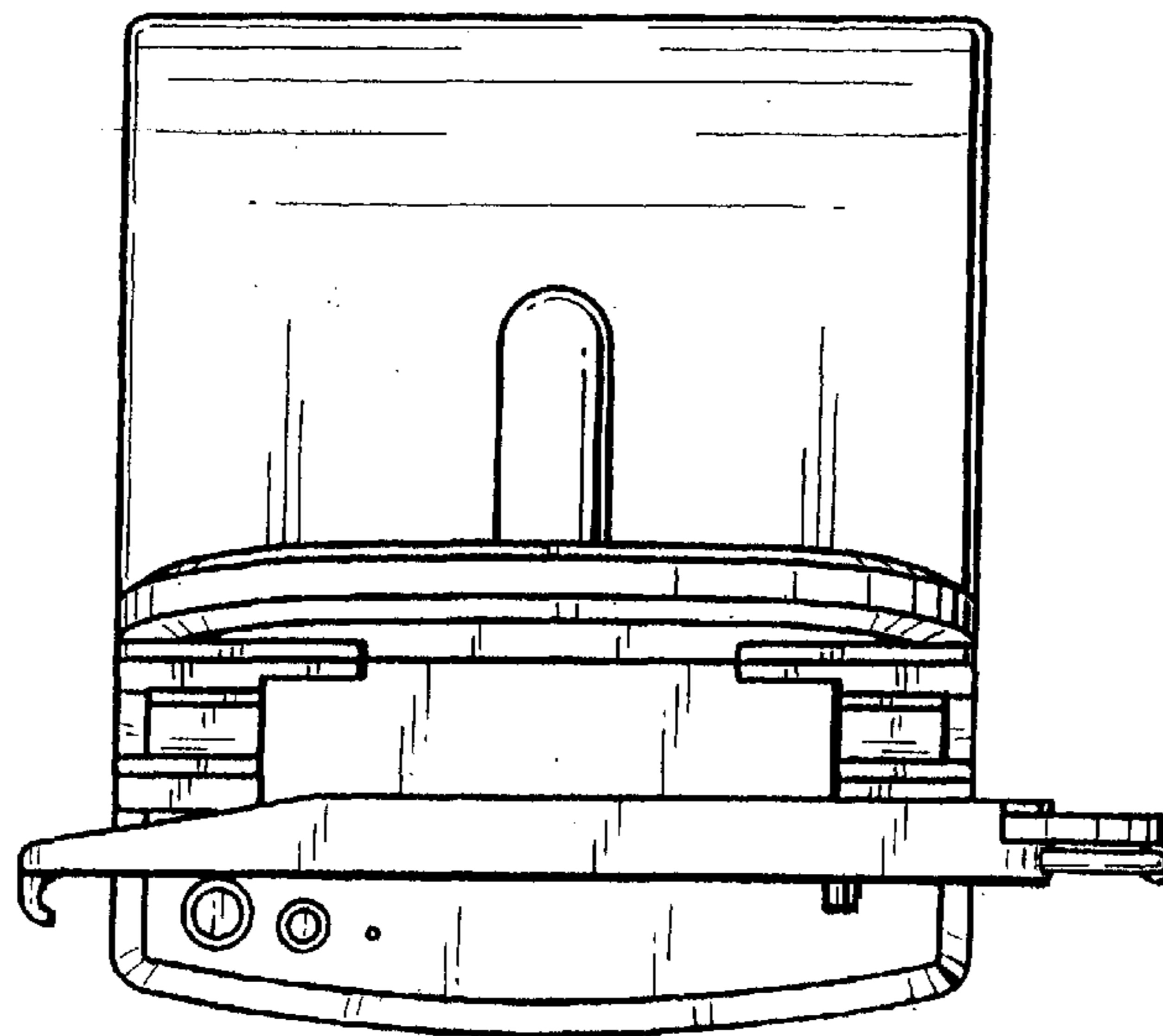


FIG. 10

