



US00D535653S

(12) **United States Design Patent**
Chen

(10) **Patent No.:** **US D535,653 S**

(45) **Date of Patent:** **** Jan. 23, 2007**

(54) **COMPUTER CASING**

(75) Inventor: **Hsin-Hung Chen, Chung-Ho (TW)**

(73) Assignee: **Cooler Master Co., Ltd, Chung Ho (TW)**

(**) Term: **14 Years**

(21) Appl. No.: **29/241,515**

(22) Filed: **Oct. 27, 2005**

(30) **Foreign Application Priority Data**

May 4, 2005 (TW) 94302573

(51) **LOC (8) Cl.** **14-02**

(52) **U.S. Cl.** **D14/349**

(58) **Field of Classification Search** D14/349-356;
D13/162, 184, 199; 312/223.1, 223.3; 360/99.01-99.12;
361/680-686, 816; 369/34.01, 36.01
See application file for complete search history.

(56) **References Cited**

U.S. PATENT DOCUMENTS

5,828,545	A	*	10/1998	Loudenslager	361/683
D405,063	S	*	2/1999	Lee et al.	D14/351
D427,594	S	*	7/2000	Lai	D14/349
D439,248	S	*	3/2001	Massaro et al.	D14/349
D442,175	S	*	5/2001	Lee et al.	D14/349

D458,253	S	*	6/2002	Wei	D14/349
D459,349	S	*	6/2002	Wei et al.	D14/349
6,480,398	B1	*	11/2002	Fiora et al.	361/816
D487,743	S	*	3/2004	Kim	D14/349
D497,162	S	*	10/2004	Neal et al.	D14/349
D509,217	S	*	9/2005	Peng et al.	D14/349
2002/0109966	A1	*	8/2002	Crowley	361/683

* cited by examiner

Primary Examiner—Freda S. Nunn

(74) *Attorney, Agent, or Firm*—patenttm.us; James H. Walters

(57) **CLAIM**

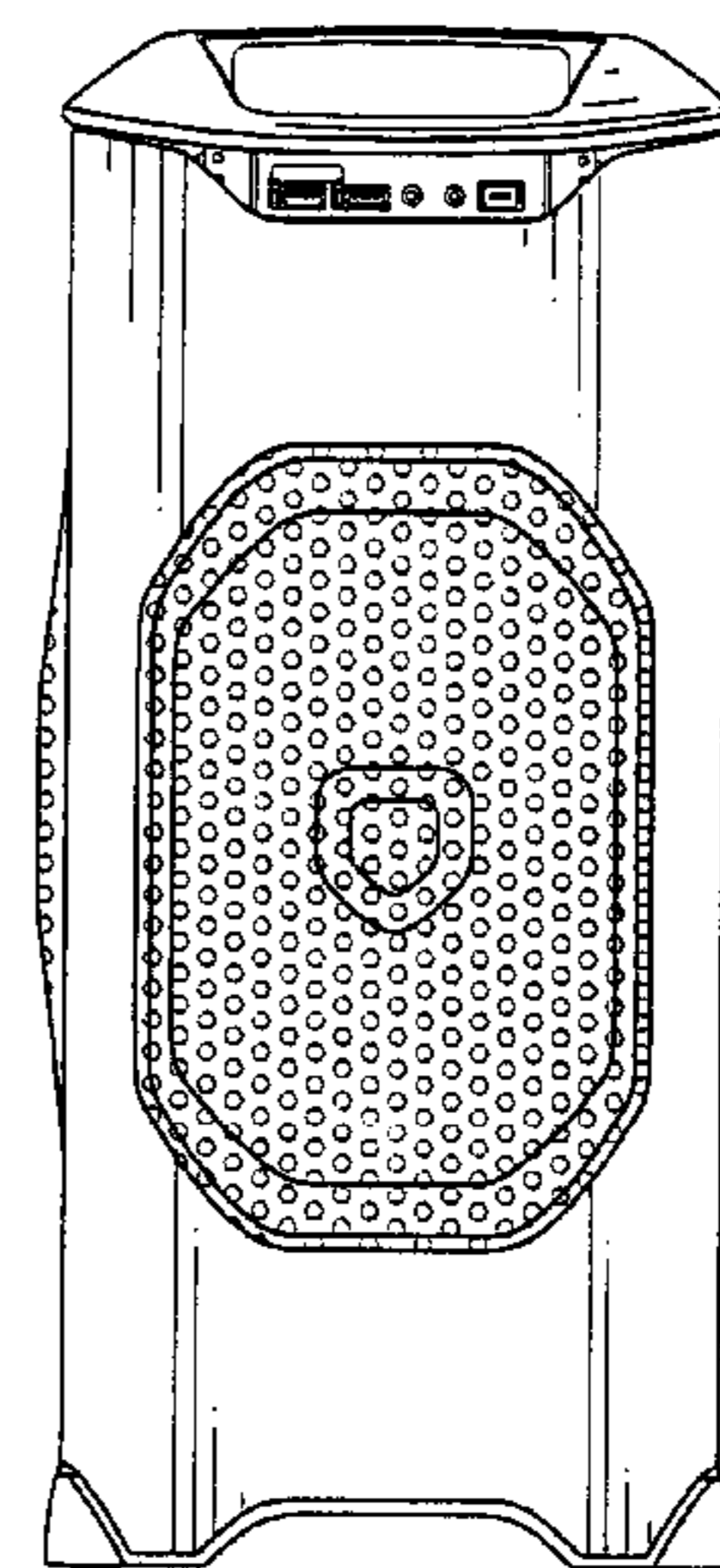
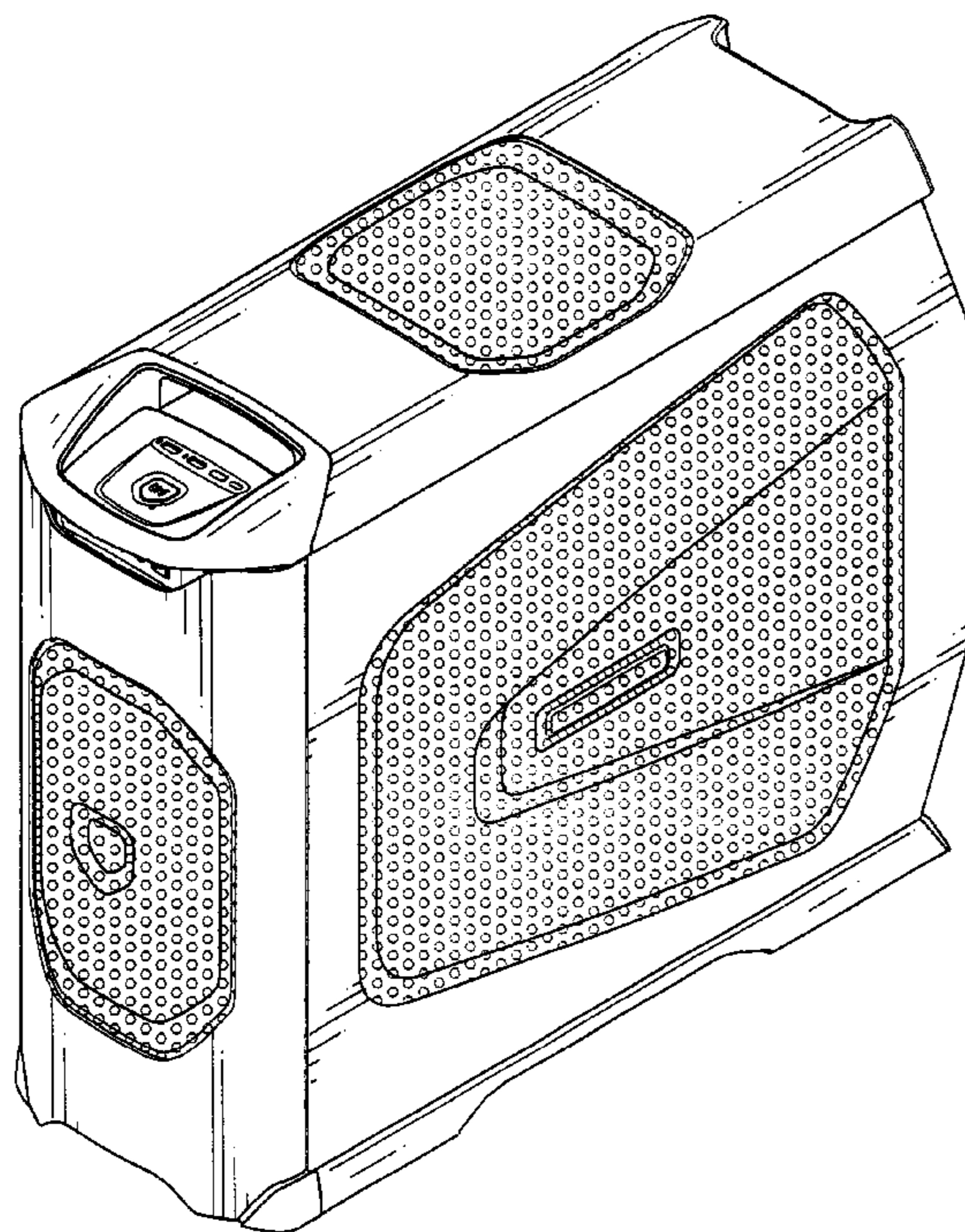
The ornamental design for a computer casing, as shown and described.

DESCRIPTION

FIG. 1 is a perspective view of a computer casing showing my new design;
FIG. 2 is a front view thereof;
FIG. 3 is a rear view thereof;
FIG. 4 is a left side view thereof;
FIG. 5 is a right side view thereof;
FIG. 6 is a top view thereof; and,
FIG. 7 is a bottom view thereof.

The broken lines are shown in FIG. 3 for illustrative purposes only and form no part of the claimed design.

1 Claim, 7 Drawing Sheets



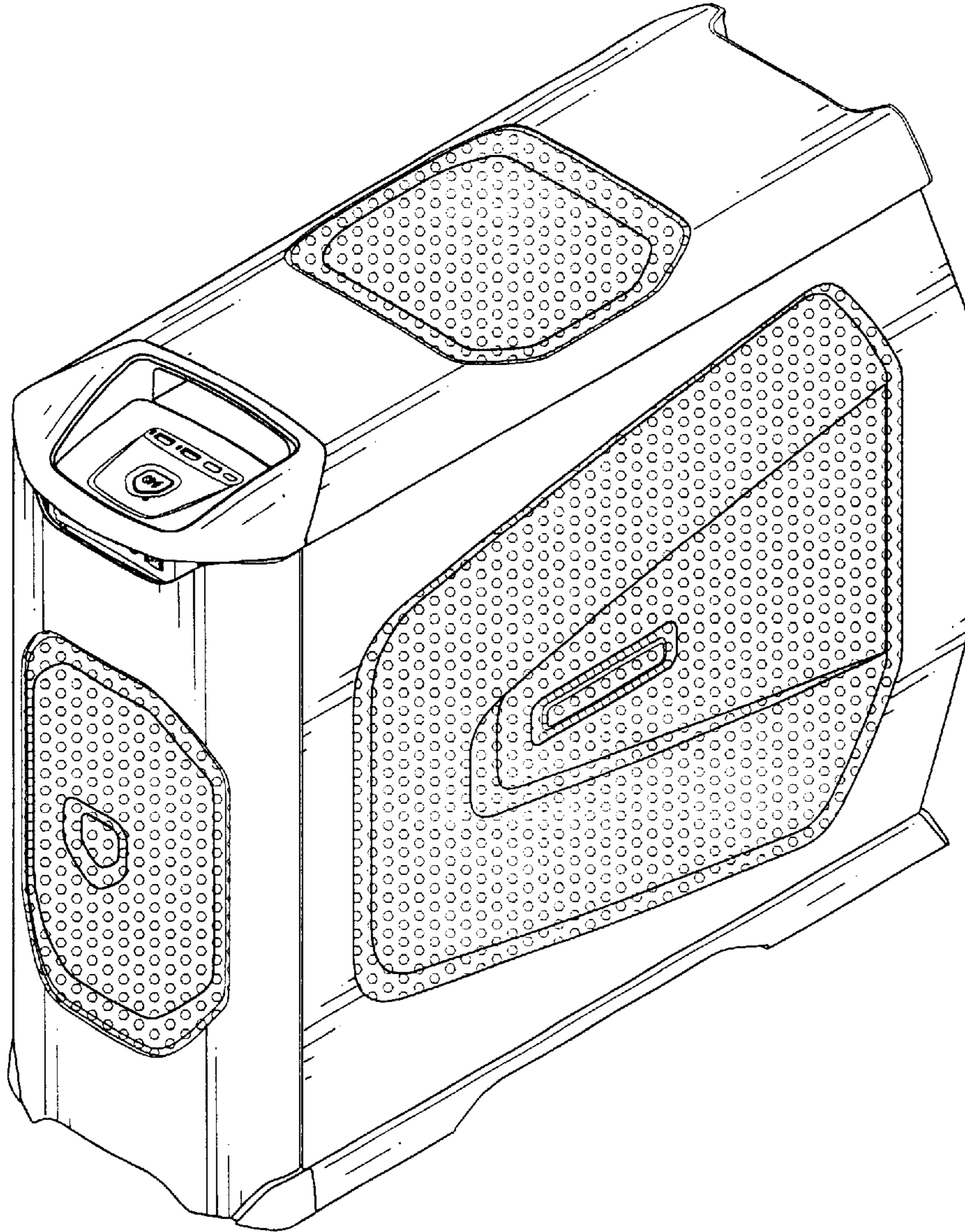


FIG.1

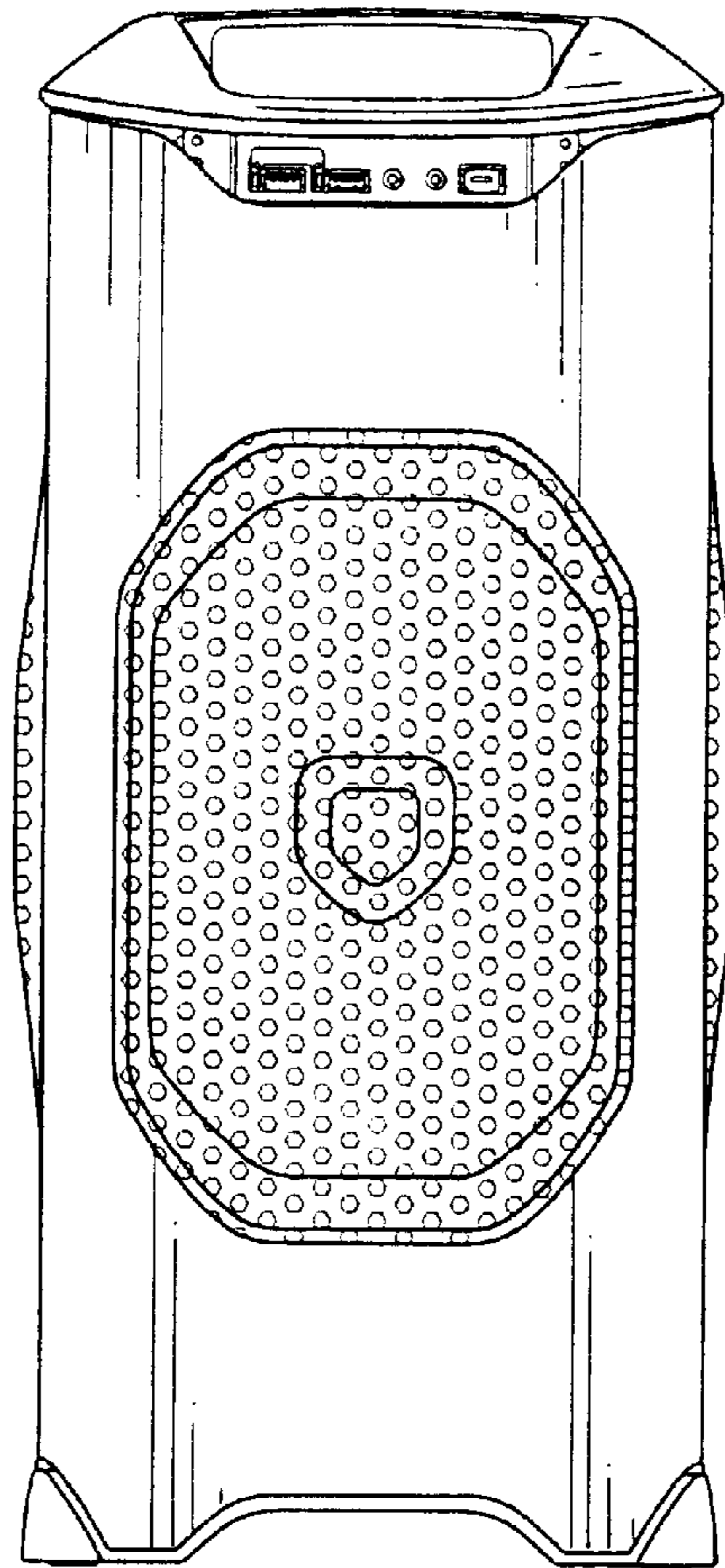


FIG.2

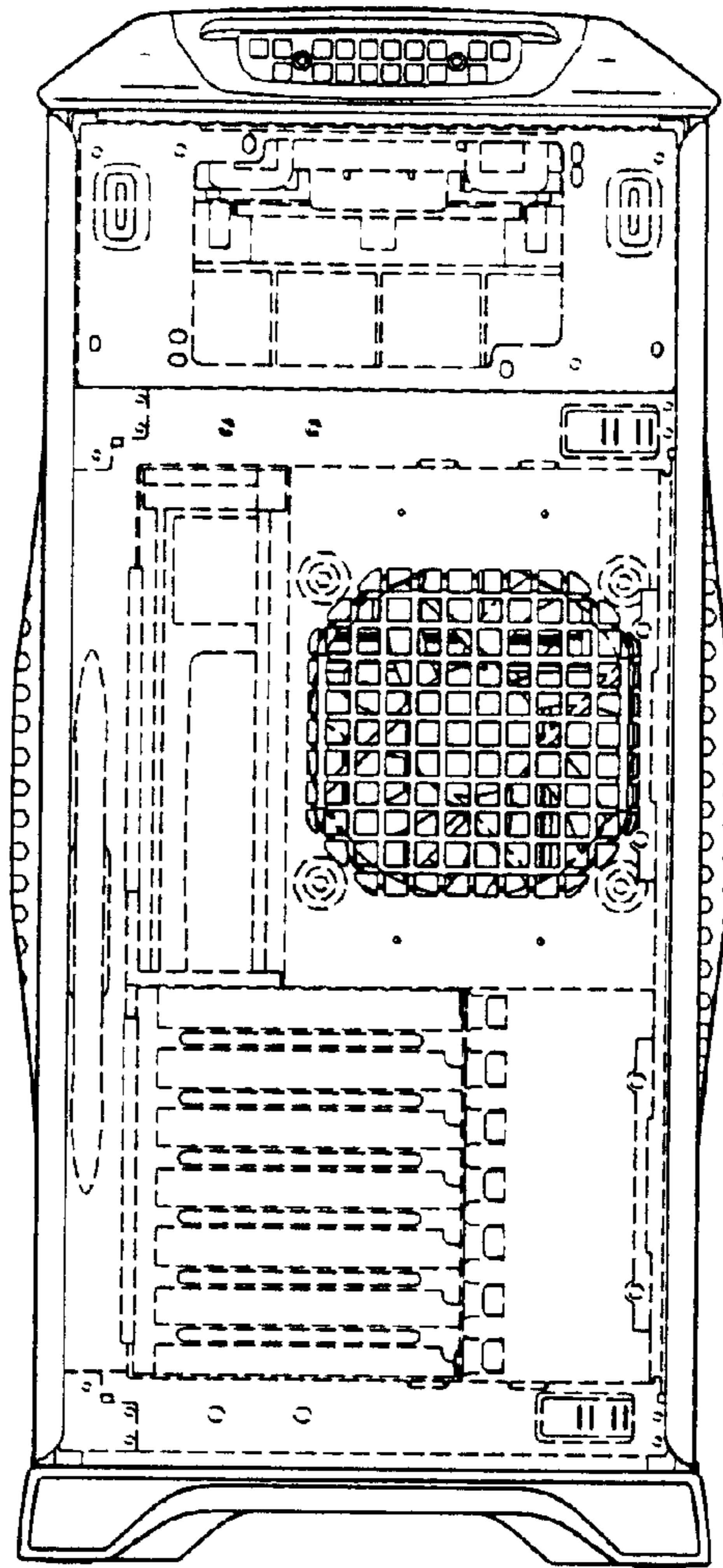


FIG.3

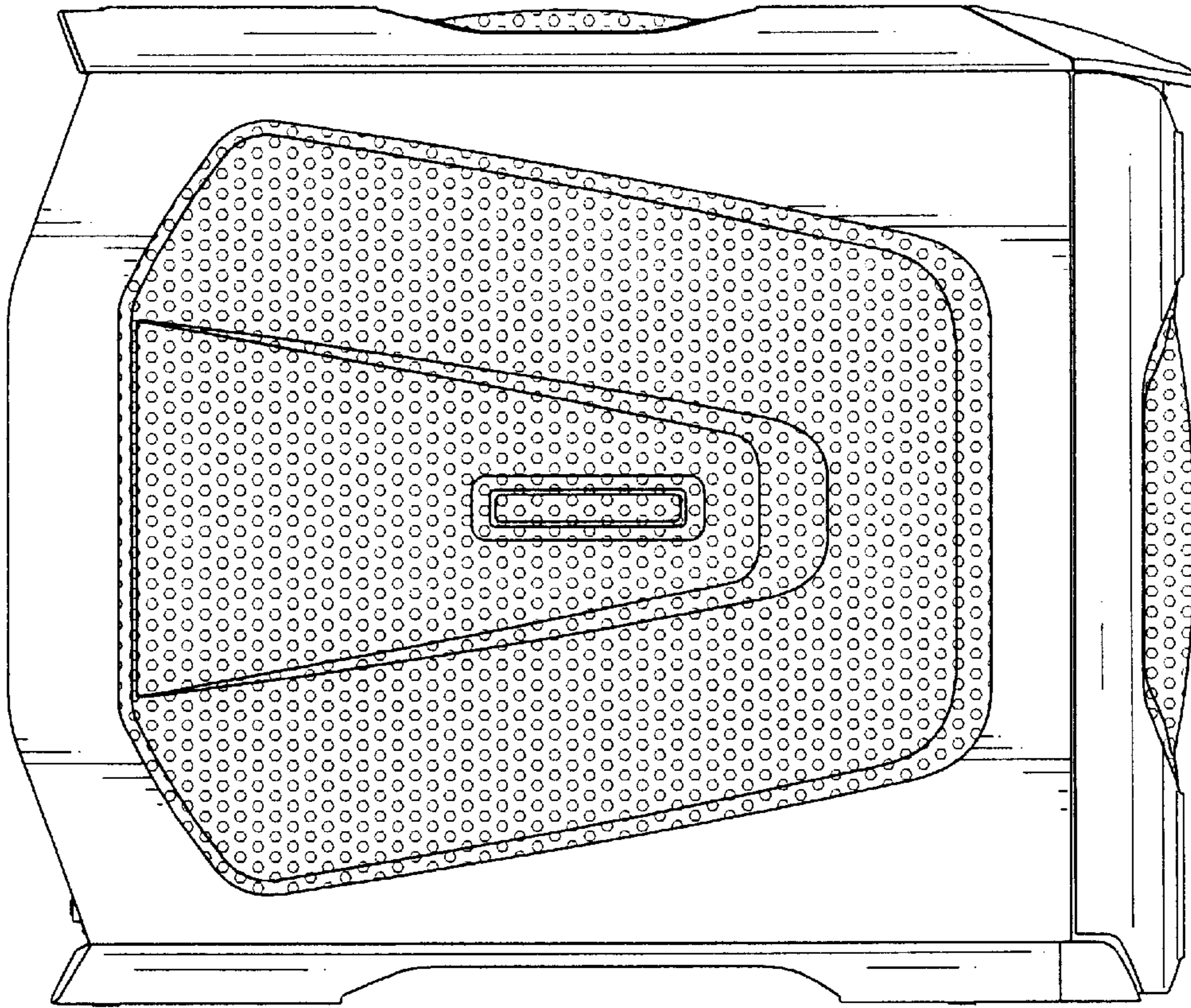


FIG.4

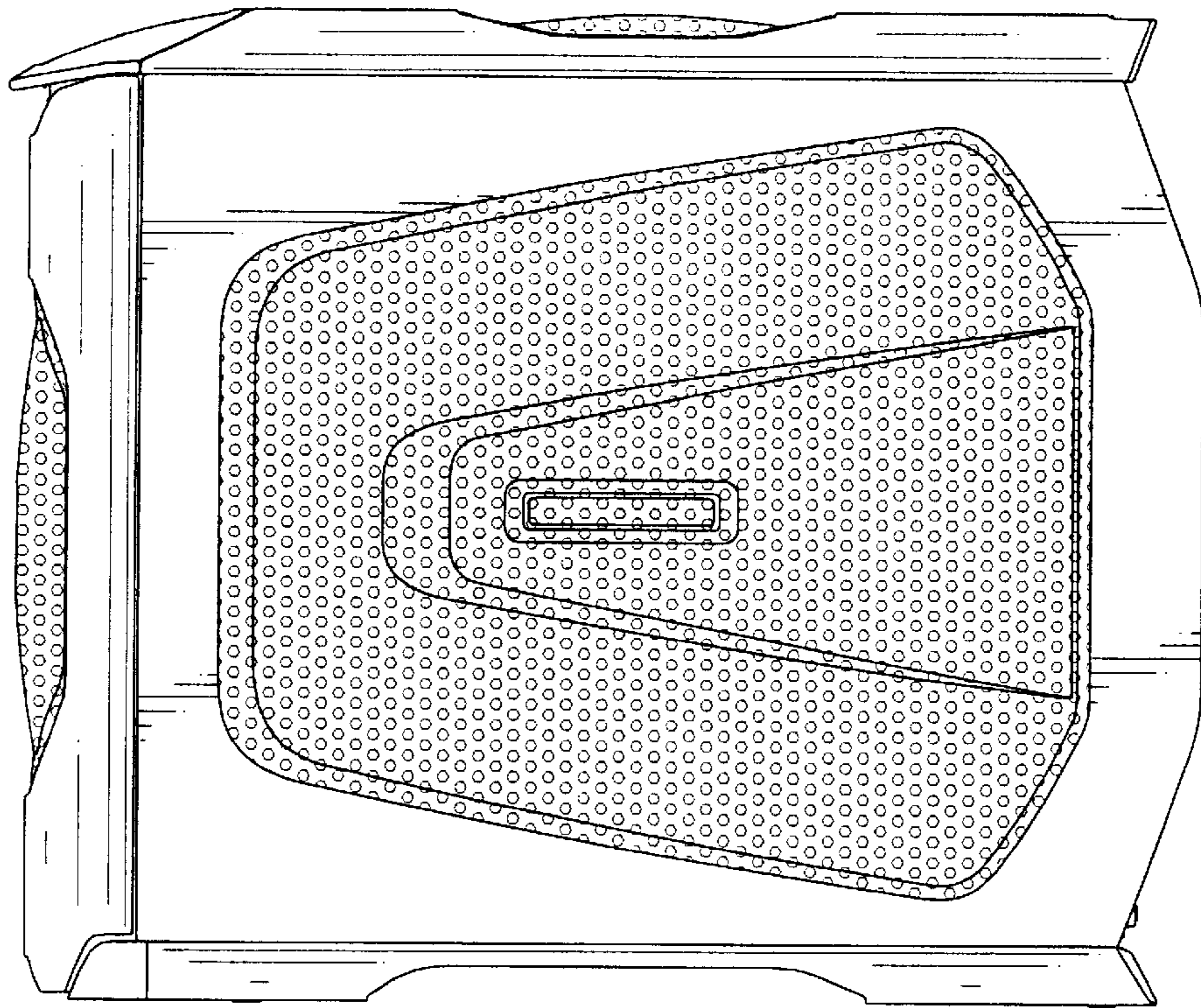


FIG.5

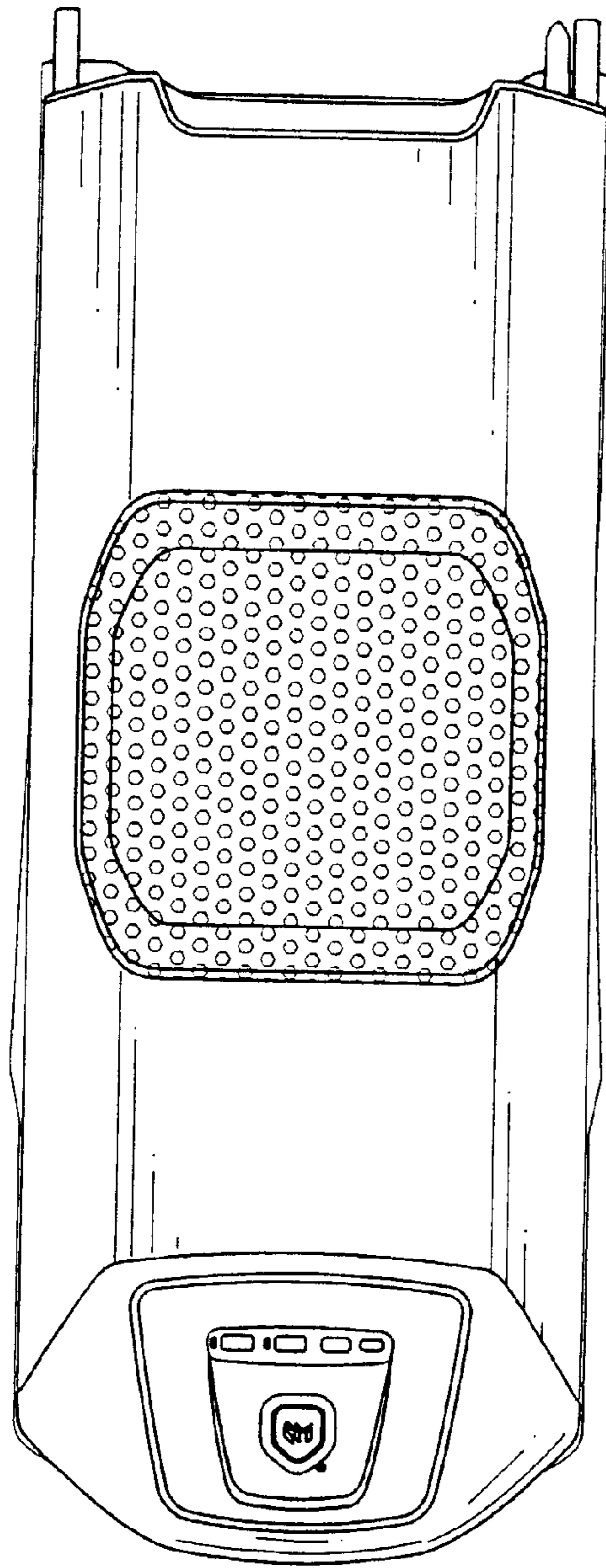


FIG.6

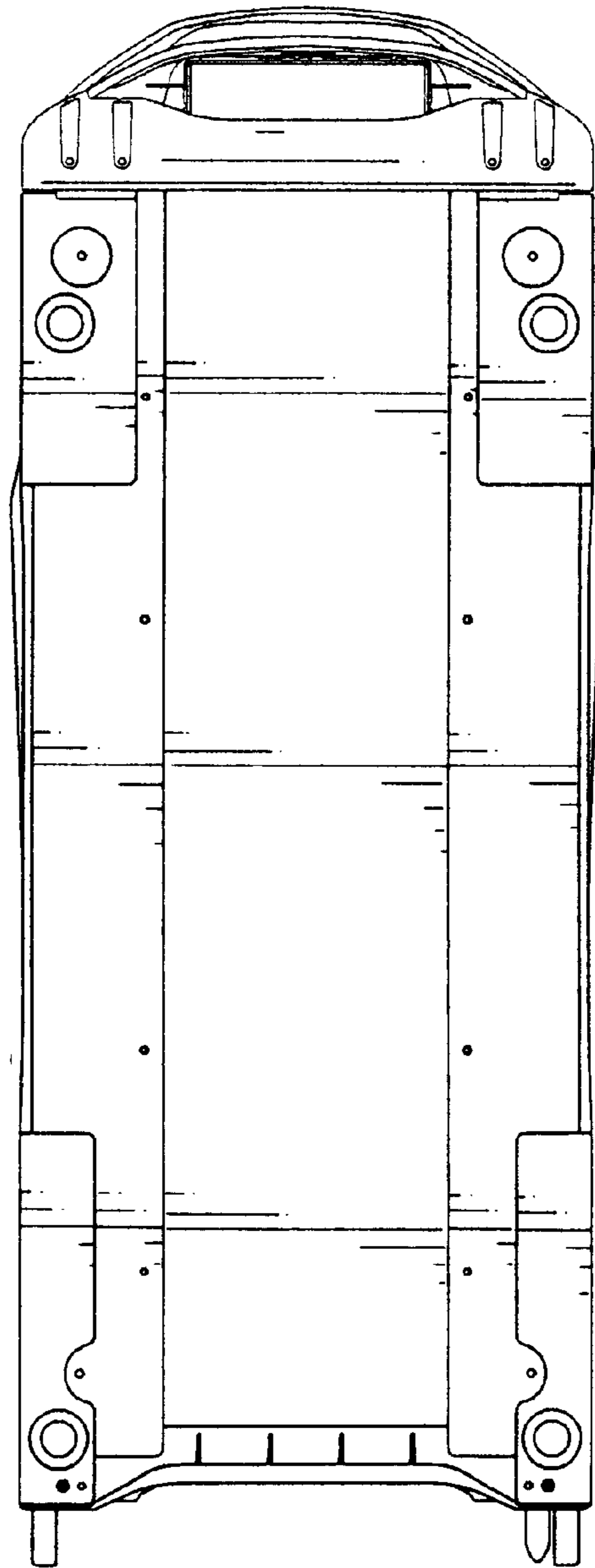


FIG.7