



US00D535650S

(12) **United States Design Patent**  
**Wong et al.**

(10) **Patent No.: US D535,650 S**

(45) **Date of Patent: \*\* Jan. 23, 2007**

(54) **WIRELESS NETWORK DEVICE**  
(75) Inventors: **Shih-Chi Wong**, Tu-Cheng (TW);  
**Nai-Yo Chi**, Tu-Cheng (TW)  
(73) Assignee: **Hon Hai Precision Industry Co. Ltd**,  
Taipei Hsien (TW)  
(\*\*) Term: **14 Years**

D470,852 S 2/2003 Kim  
D472,245 S \* 3/2003 Andre et al. .... D14/496  
D485,813 S \* 1/2004 Winkler .... D14/136  
D486,480 S \* 2/2004 Tanaka .... D14/242  
D493,165 S \* 7/2004 Kiple et al. .... D14/242  
D494,156 S 8/2004 Chen et al.  
D505,428 S \* 5/2005 Yagihashi .... D14/496  
D505,667 S \* 5/2005 Okada .... D14/156  
D514,563 S \* 2/2006 Kuramashi et al. .... D14/358  
D516,019 S \* 2/2006 Ohsako et al. .... D13/103  
D522,510 S \* 6/2006 Su .... D14/384

(21) Appl. No.: **29/244,971**  
(22) Filed: **Dec. 16, 2005**

\* cited by examiner

(30) **Foreign Application Priority Data**

Oct. 20, 2005 (CN) ..... 2005 3 0073636

*Primary Examiner*—Robin Webster

*Assistant Examiner*—Karen E. Patterson

(74) *Attorney, Agent, or Firm*—Jeffrey T. Knapp

(51) **LOC (8) Cl.** ..... **14-02**  
(52) **U.S. Cl.** ..... **D14/240; D14/357**  
(58) **Field of Classification Search** ..... D14/242,  
D14/496, 125, 135-6, 167, 300-2, 314, 341,  
D14/355-8, 362-70, 383, 385, 433, 348,  
D14/353, 156; 379/413.04; 220/4.01-4.02;  
361/679, 685-6; D13/103  
See application file for complete search history.

(57) **CLAIM**

The ornamental design for a wireless network device, as shown and described.

**DESCRIPTION**

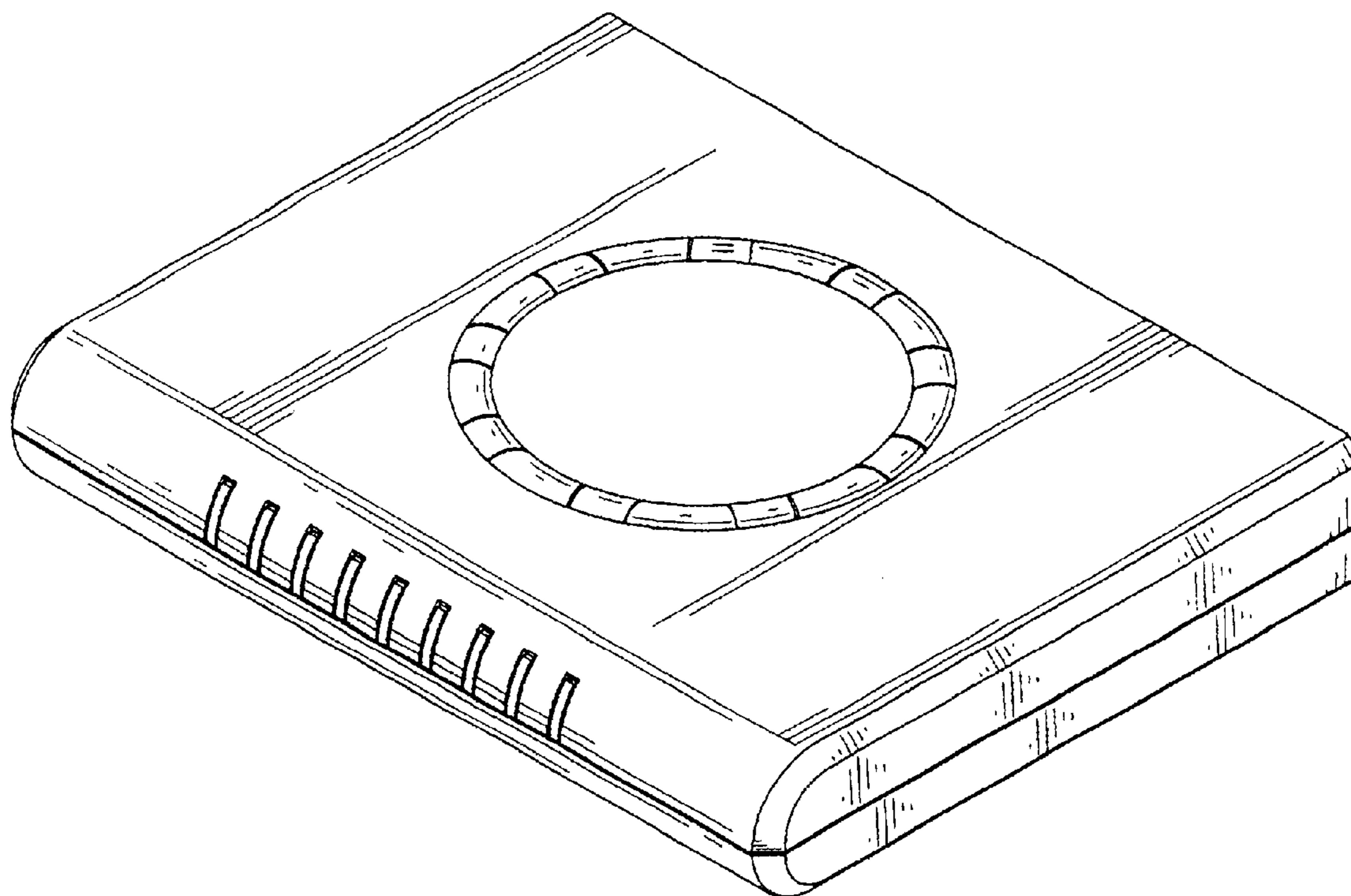
FIG. 1 is an isometric view of a wireless network device of my new design;  
FIG. 2 is a front elevational view thereof;  
FIG. 3 is a rear elevational view thereof;  
FIG. 4 is a left side elevational view thereof;  
FIG. 5 is a right side elevational view thereof;  
FIG. 6 is a top plan view thereof; and,  
FIG. 7 is a bottom plan view thereof.

(56) **References Cited**

**U.S. PATENT DOCUMENTS**

D322,963 S \* 1/1992 Kittirutsunetorn ..... D14/242  
D369,350 S \* 4/1996 Takahashi ..... D14/351  
D416,896 S \* 11/1999 Ogasawara ..... D14/156  
D470,848 S \* 2/2003 Morooka ..... D14/433

**1 Claim, 5 Drawing Sheets**



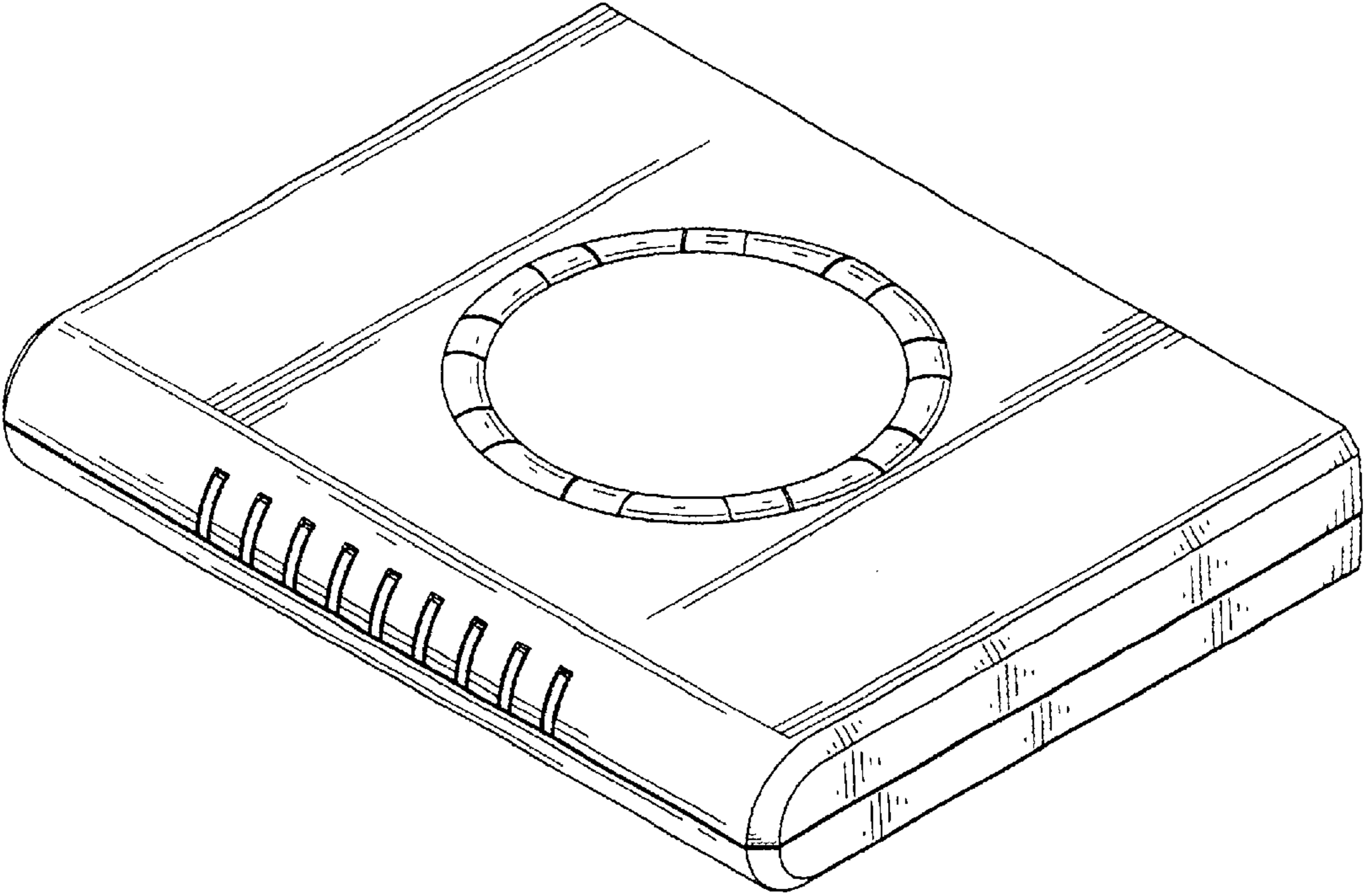


FIG. 1

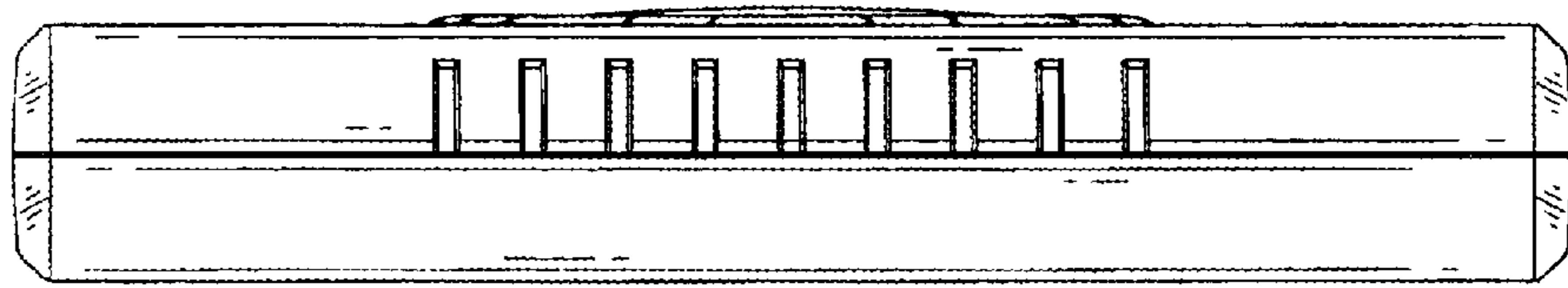


FIG. 2

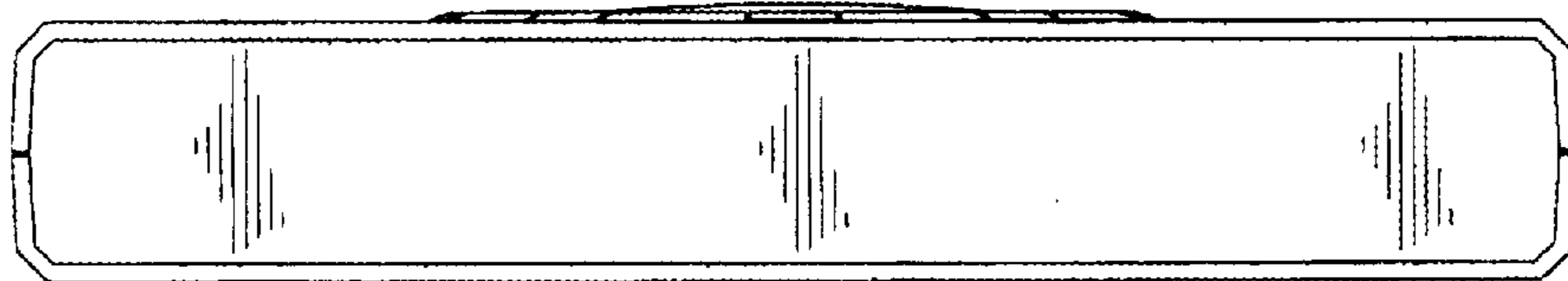


FIG. 3

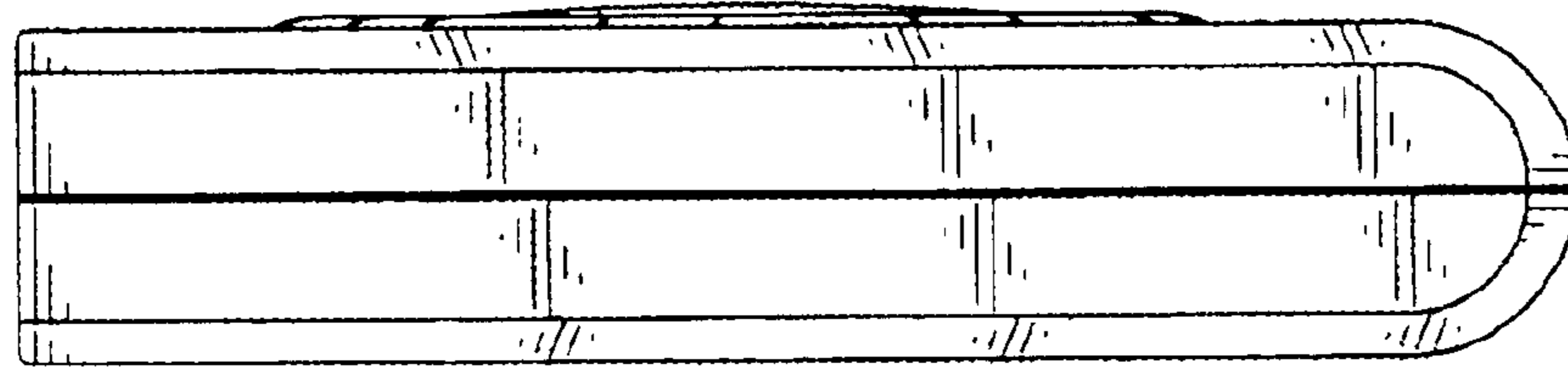


FIG. 4

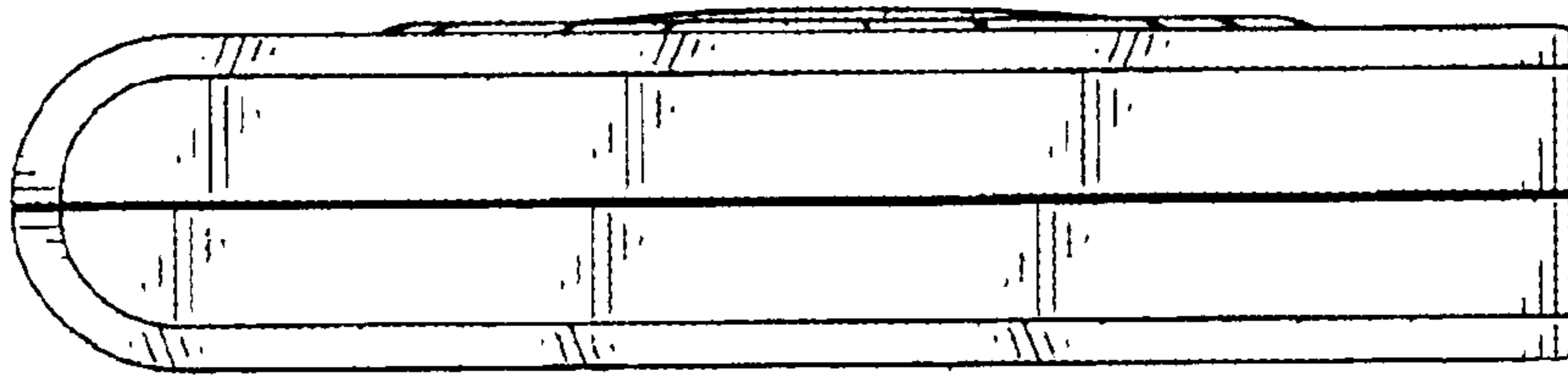


FIG. 5

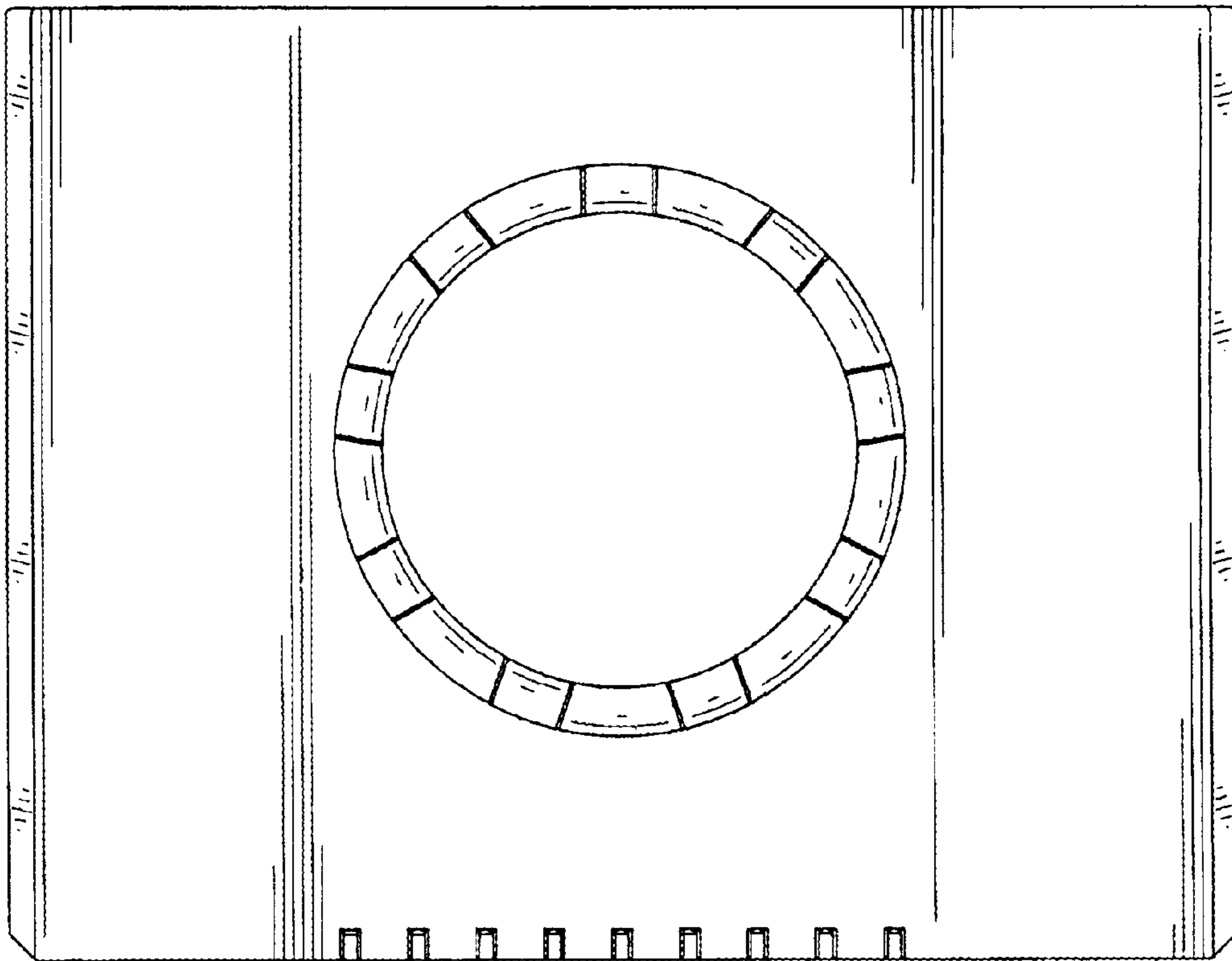


FIG. 6

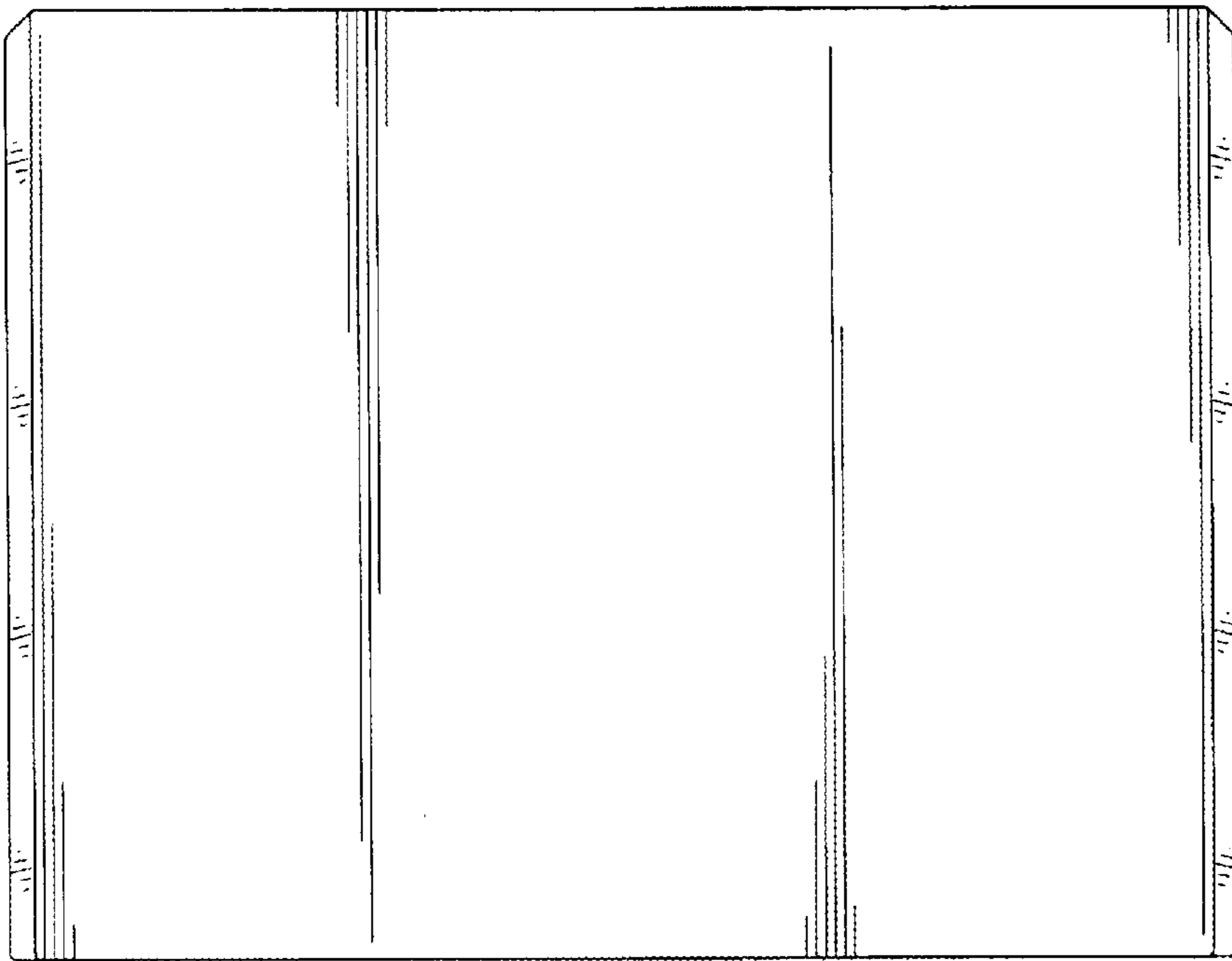


FIG. 7