



US00D535648S

(12) **United States Design Patent**  
**Miura**

(10) **Patent No.:** **US D535,648 S**

(45) **Date of Patent:** **\*\* Jan. 23, 2007**

(54) **ANTENNA**

(75) **Inventor:** **Toshio Miura**, Tokyo (JP)

(73) **Assignee:** **Shin Nihon Helicopter Kabushiki Kaisha**, Tokyo (JP)

(\*\*) **Term:** **14 Years**

(21) **Appl. No.:** **29/230,534**

(22) **Filed:** **May 24, 2005**

(30) **Foreign Application Priority Data**

Dec. 8, 2004 (JP) ..... D2004-037572

(51) **LOC (8) Cl.** ..... **14-03**

(52) **U.S. Cl.** ..... **D14/233**

(58) **Field of Classification Search** ..... D14/137,  
D14/138, 230-238, 299, 358, 343; D12/42,  
D12/43; 343/700 R-705, 871-908, 795,  
343/840, 711-713, 819, 846; 455/90.2, 90.3,  
455/91, 128, 269, 344, 347, 562.1

See application file for complete search history.

(56) **References Cited**

**U.S. PATENT DOCUMENTS**

D186,228 S \* 9/1959 Butts ..... D14/233

D470,480 S \* 2/2003 Ikeda ..... D14/230  
D470,482 S \* 2/2003 Ikeda ..... D14/230  
D493,447 S \* 7/2004 Noro et al. .... D14/230

\* cited by examiner

*Primary Examiner*—Louis S. Zarfes

*Assistant Examiner*—John Windmuller

(74) *Attorney, Agent, or Firm*—Rader, Fishman & Grauer PLLC

(57) **CLAIM**

The ornamental design for an antenna, as shown and described.

**DESCRIPTION**

FIG. 1 is a perspective view of an antenna showing my new design;

FIG. 2 is a front elevational view thereof, the rear elevational view thereof being the same image thereof;

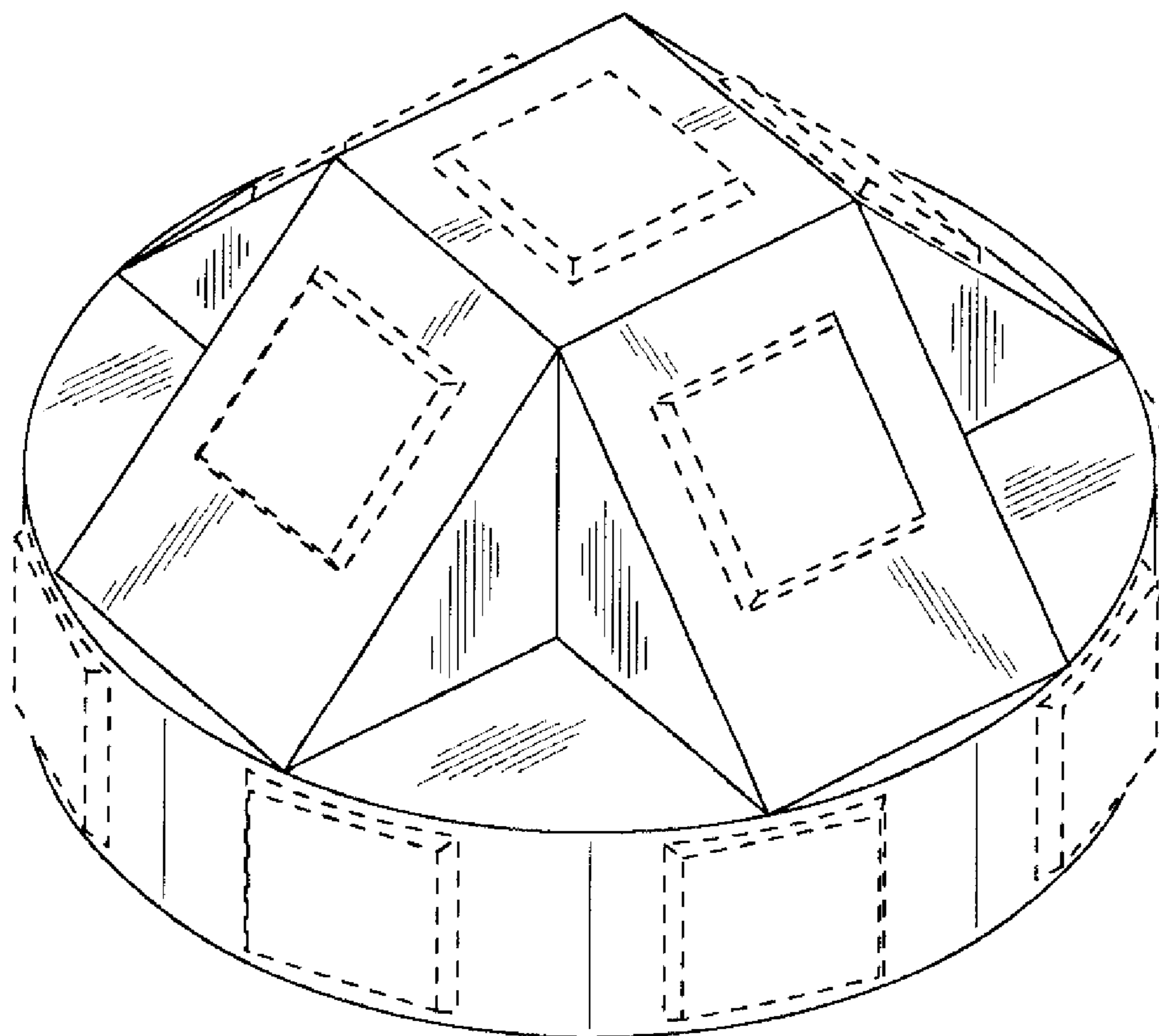
FIG. 3 is a right side elevational view thereof, the left side elevational view thereof being the same image thereof;

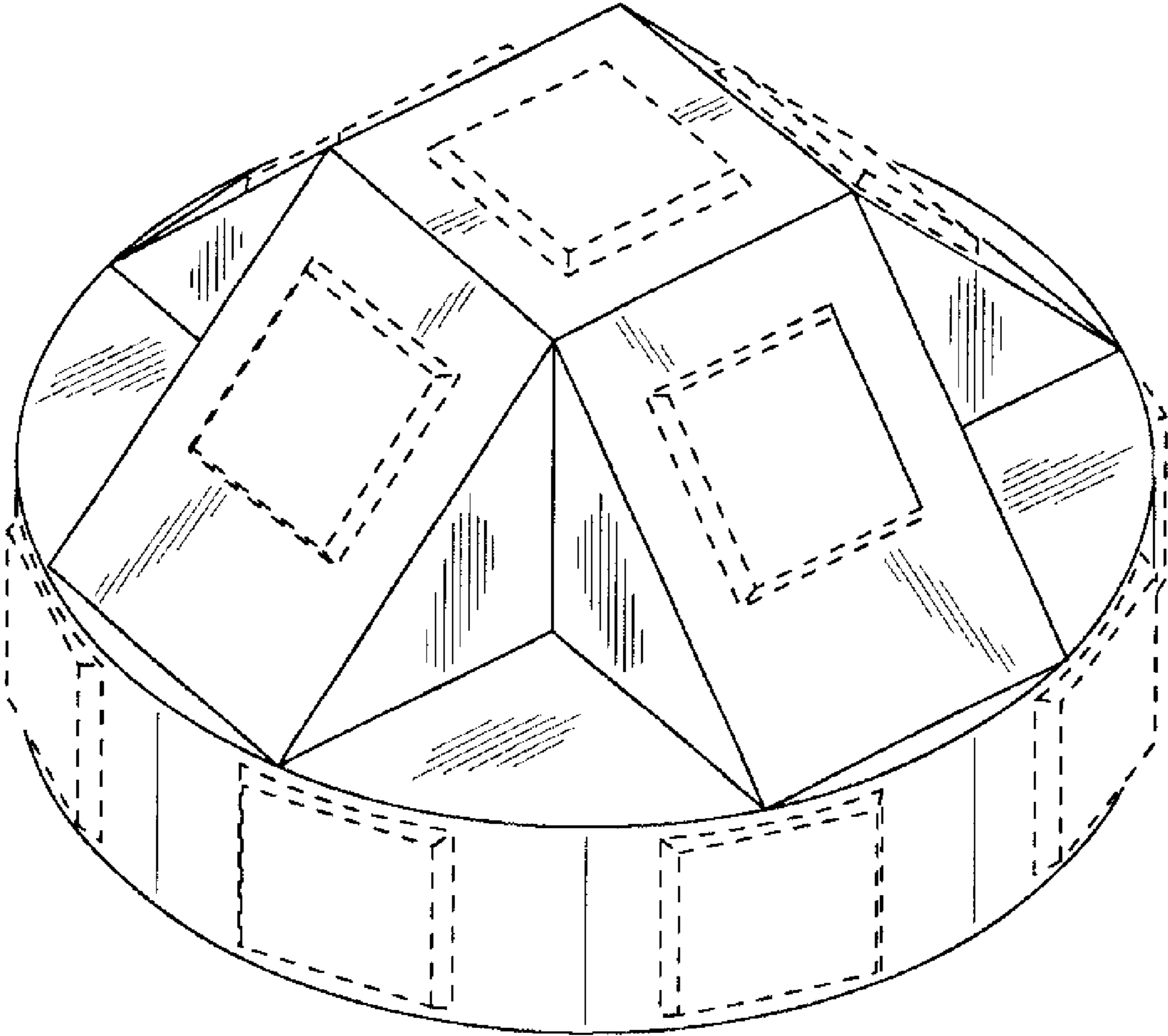
FIG. 4 is a top plan view thereof; and,

FIG. 5 is a bottom plan view thereof.

Portions of FIGS. 1-5 that are shown as broken lines are for illustrative purpose only and form no part of the claimed design.

**1 Claim, 5 Drawing Sheets**





*FIG. 1*

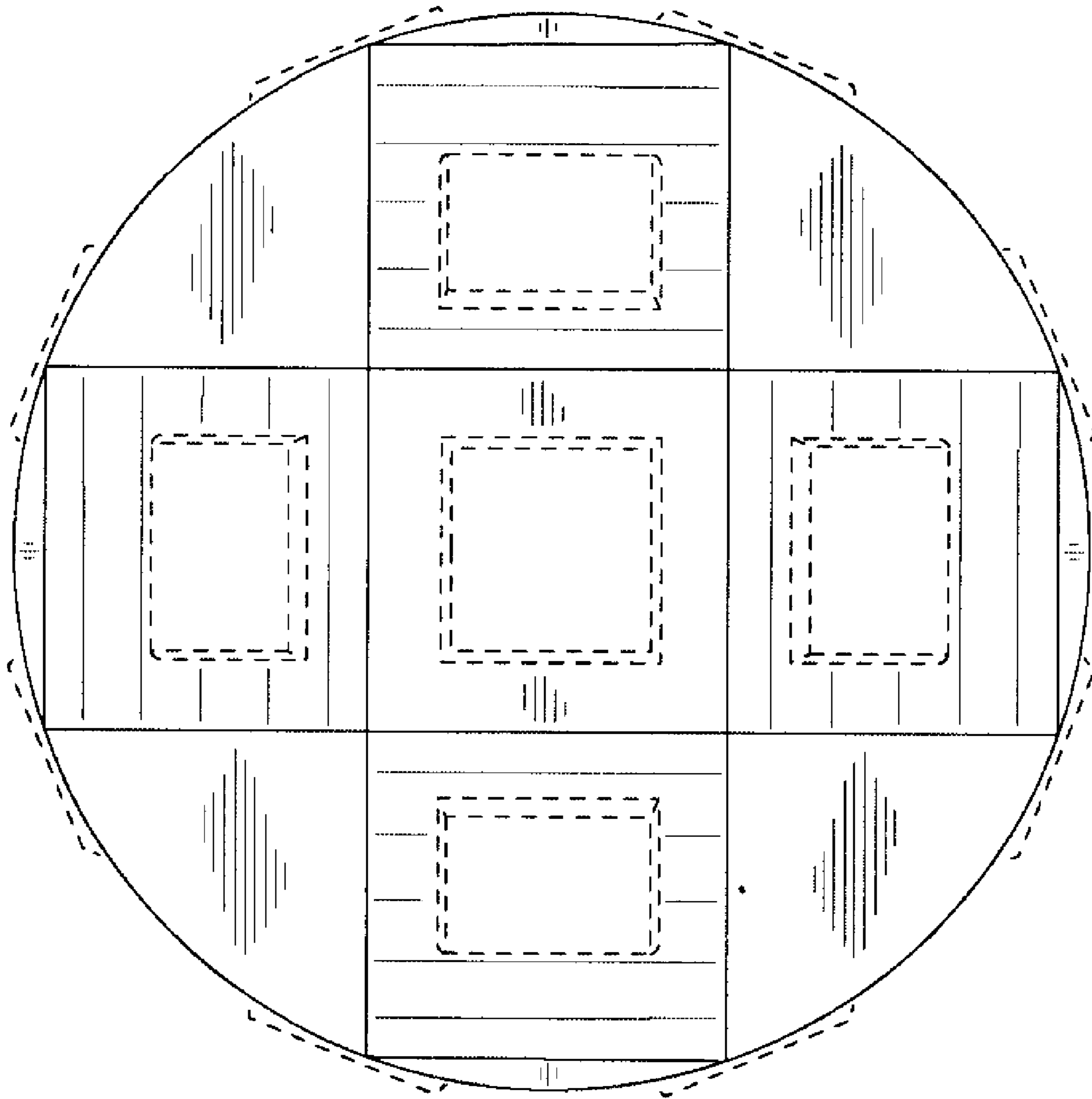
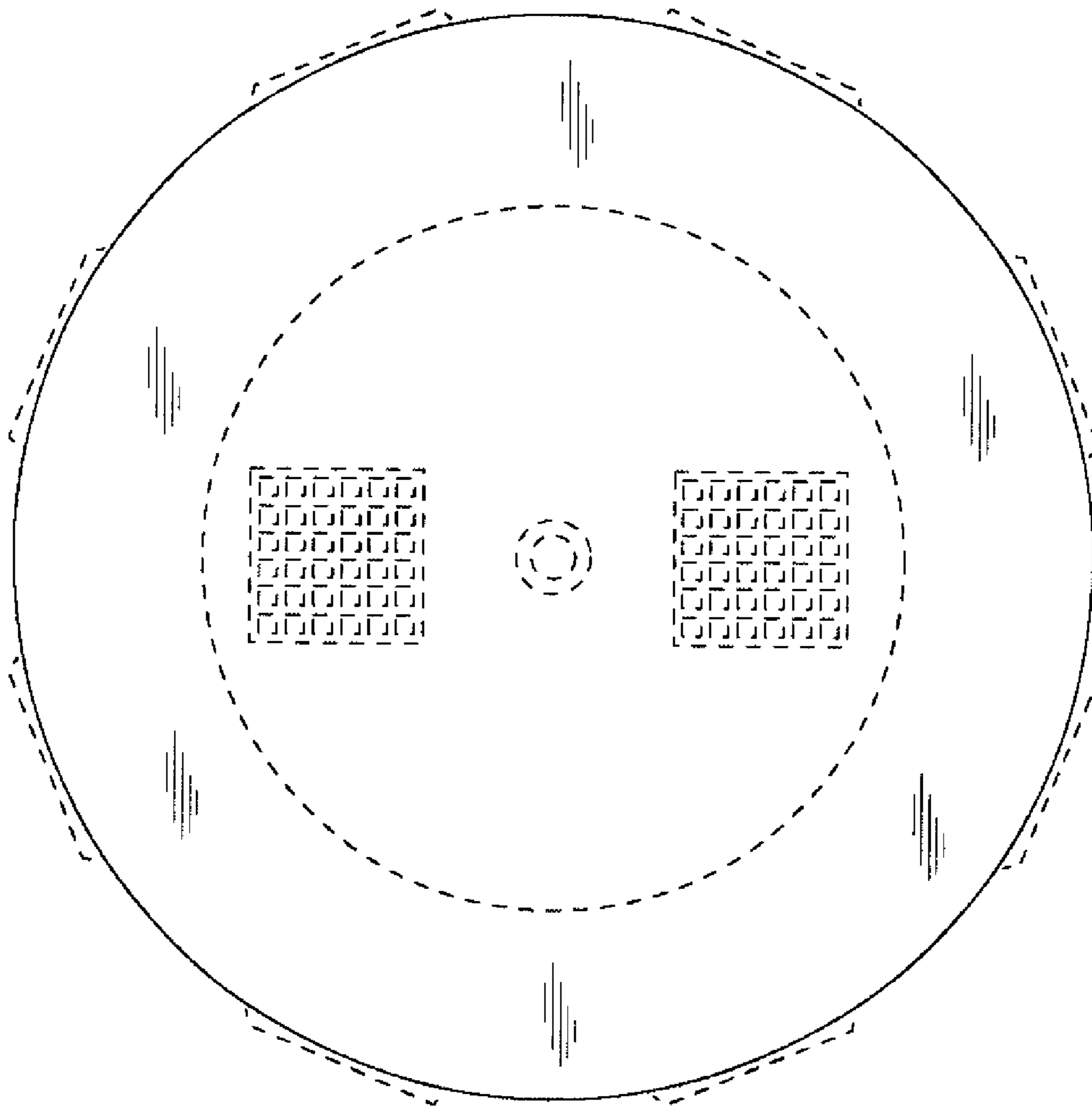
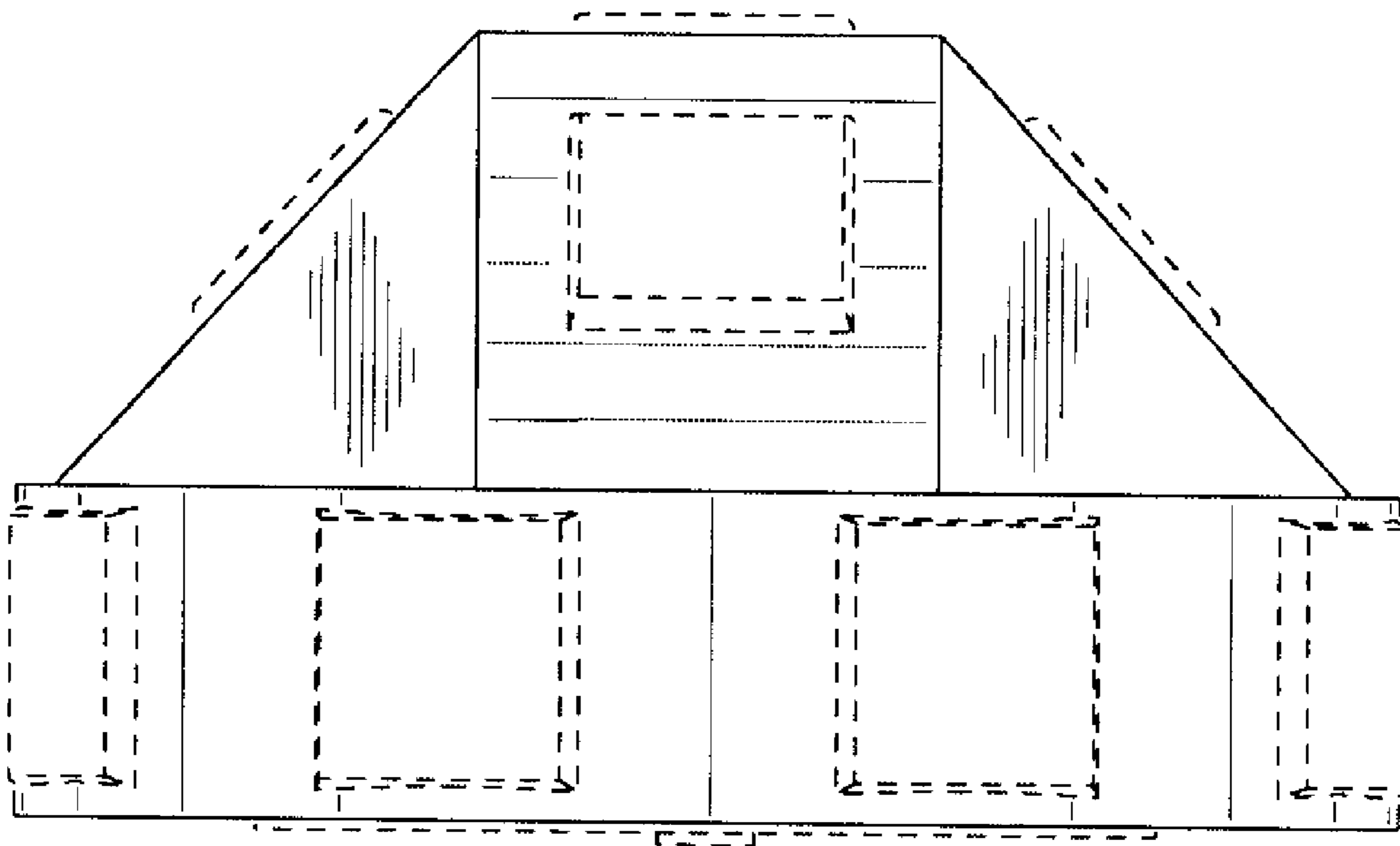


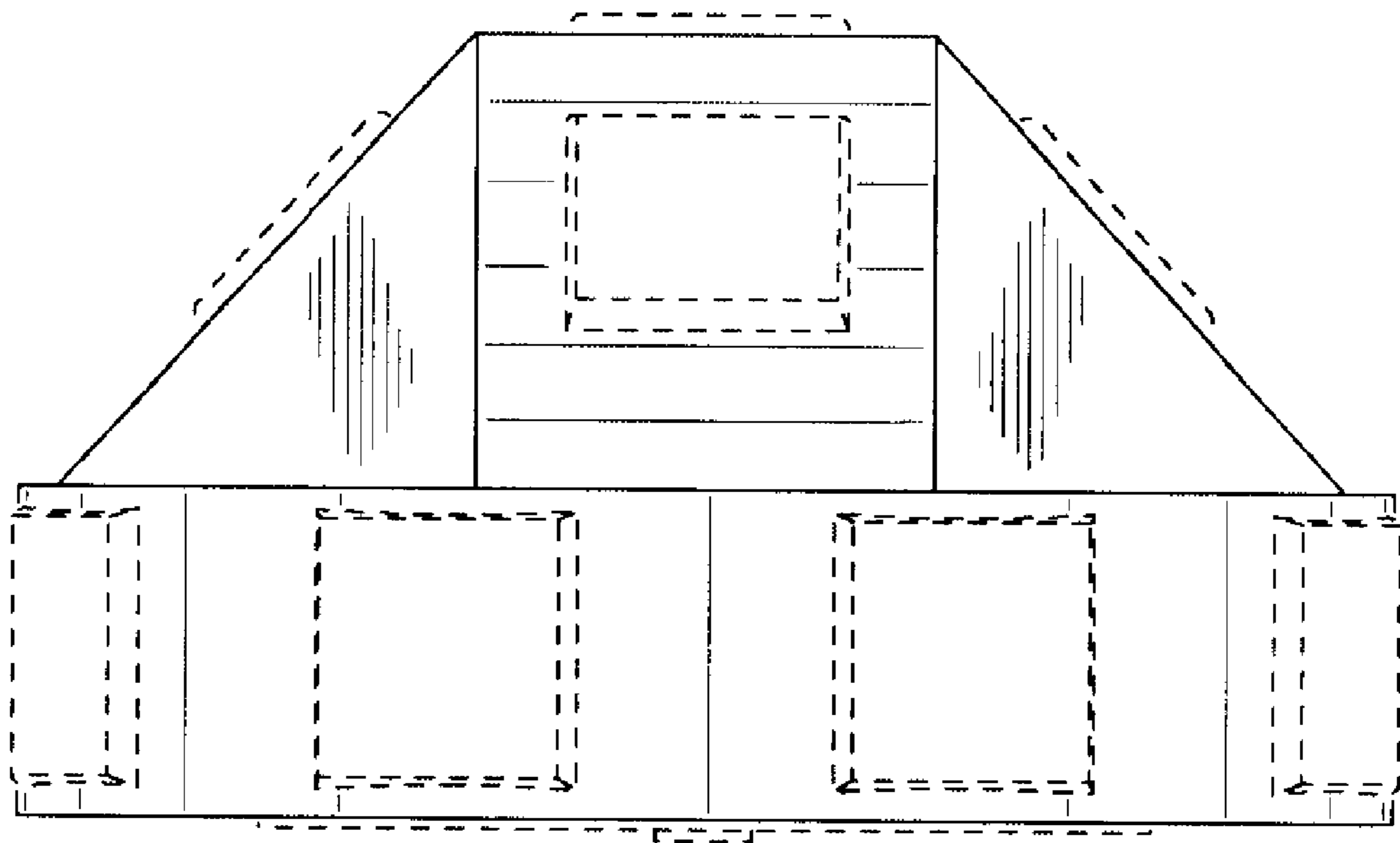
FIG. 2



*FIG. 3*



*FIG. 4*



*FIG. 5*