



US00D535646S

(12) **United States Design Patent**
Allen et al.

(10) **Patent No.: US D535,646 S**

(45) **Date of Patent: ** Jan. 23, 2007**

(54) **DONOR ANTENNA UNIT HOUSING**

(75) Inventors: **Steve Allen**, Ottawa (CA); **Jean-Pierre Burdett**, Ottawa (CA); **Diane Corrigan**, Ottawa (CA); **Scott Gibson**, Ottawa (CA); **Miles Hammond**, Ottawa (CA); **Colin Kellett**, Ottawa (CA); **Greg Larocque**, Ottawa (CA); **Mike Roper**, Ottawa (CA); **Paul Simpson**, Ottawa (CA); **Greg Smith**, Ottawa (CA); **Shane Young**, Ottawa (CA)

(73) Assignee: **Spotwave Wireless Canada Inc.**, Ottawa (CA)

(**) Term: **14 Years**

(21) Appl. No.: **29/234,223**

(22) Filed: **Jul. 15, 2005**

(51) **LOC (8) Cl.** **14-03**

(52) **U.S. Cl.** **D14/230**

(58) **Field of Classification Search** D14/137, D14/138, 230-238, 299, 358, 343; D12/42, D12/43; 343/700 R-705, 871-908, 795, 343/840, 711-713, 819, 846; 455/90.2, 90.3, 455/91, 128, 269, 344, 347, 562.1
See application file for complete search history.

(56) **References Cited**

U.S. PATENT DOCUMENTS

5,548,643 A * 8/1996 Dalgleish et al. 379/429

D392,644 S * 3/1998 McGugan D14/240
D429,238 S * 8/2000 Kolinen D14/240
D485,551 S * 1/2004 Mikkola et al. D14/240
D491,556 S * 6/2004 Gibson D14/230

* cited by examiner

Primary Examiner—Louis S. Zarfaz
Assistant Examiner—John Windmuller
(74) *Attorney, Agent, or Firm*—Kent Daniels; Ogilvy Renault LLP

(57) **CLAIM**

The ornamental design for a donor antenna unit housing, as shown and described.

DESCRIPTION

FIG. 1 is a left front isometric view of a donor antenna unit housing showing our new design;

FIG. 2 is a left rear isometric view thereof;

FIG. 3 is a front elevational view thereof;

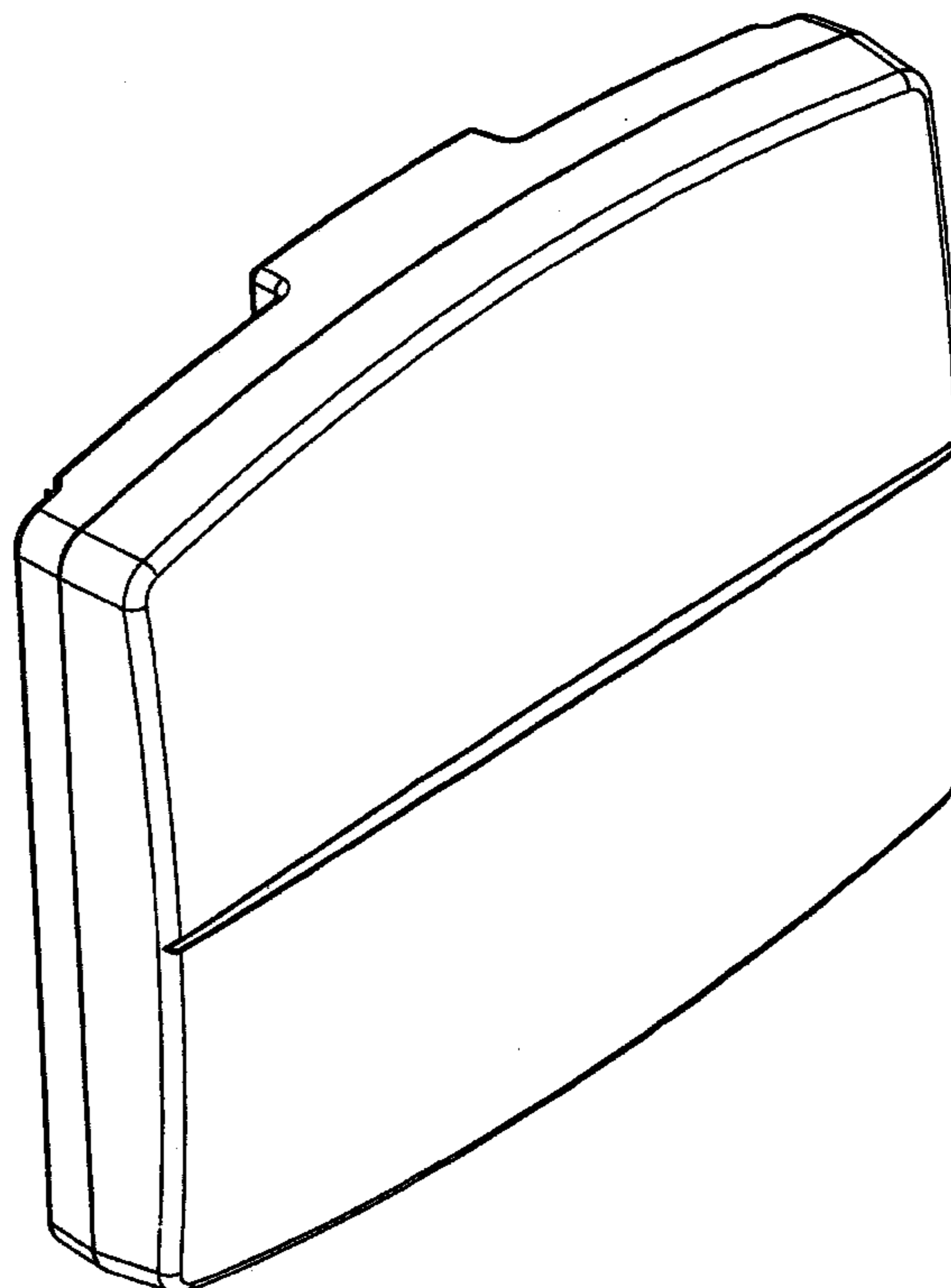
FIG. 4 is a rear elevational view thereof;

FIG. 5 is a top plan view thereof;

FIG. 6 is a bottom plan view thereof; and,

FIG. 7 is a left side elevational view thereof, the right side elevational view being a mirror image thereof.

1 Claim, 7 Drawing Sheets



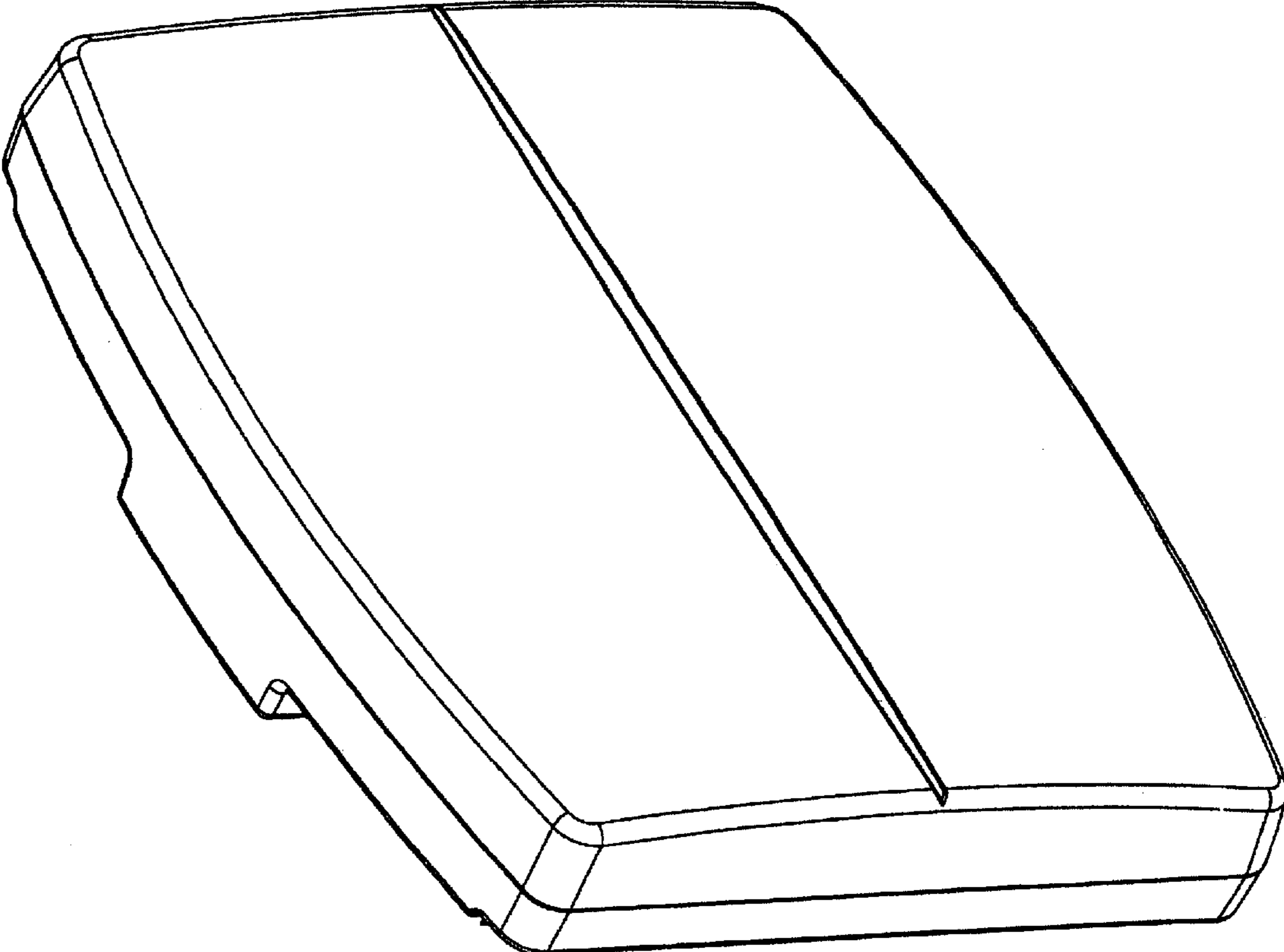


FIGURE 1

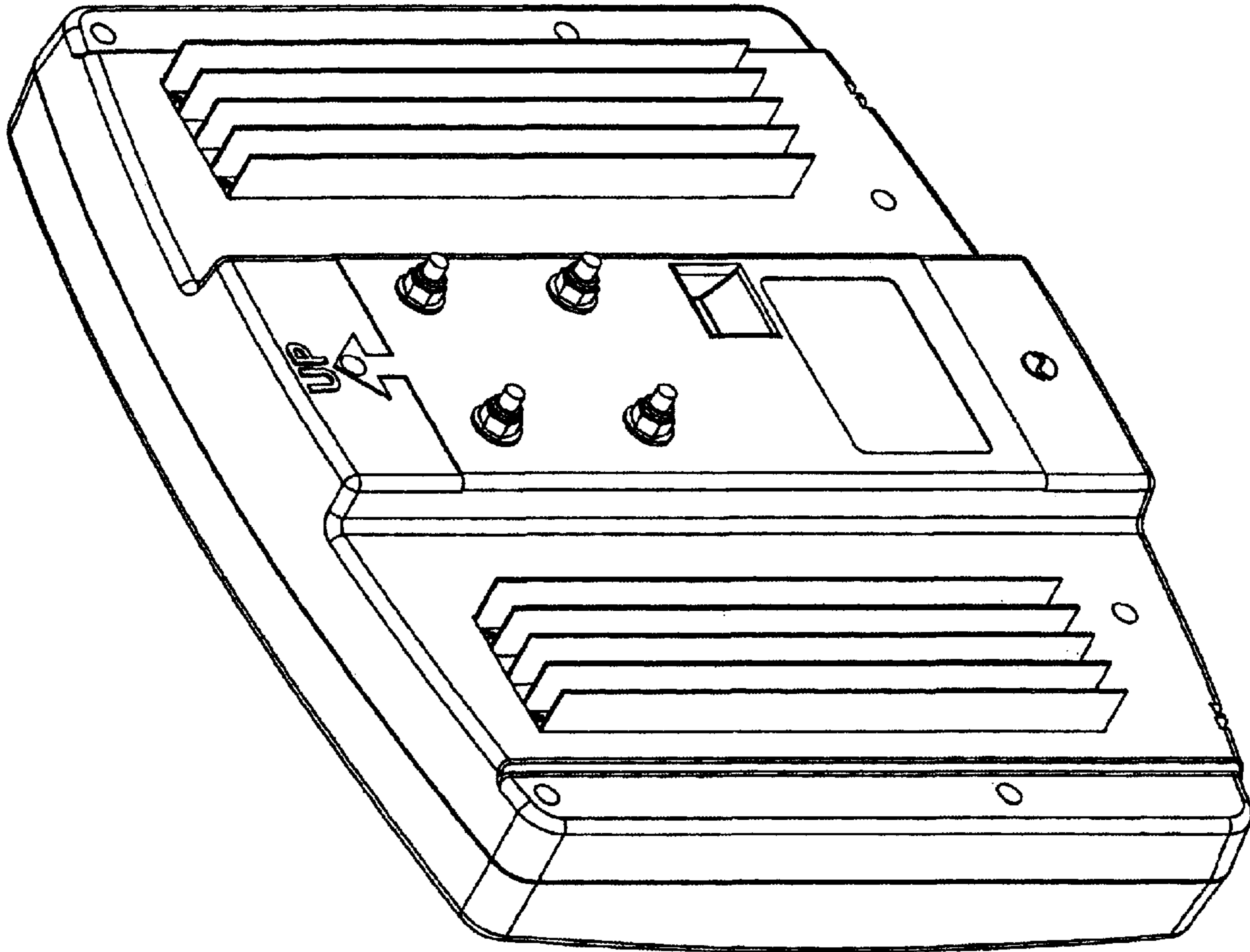


FIGURE 2

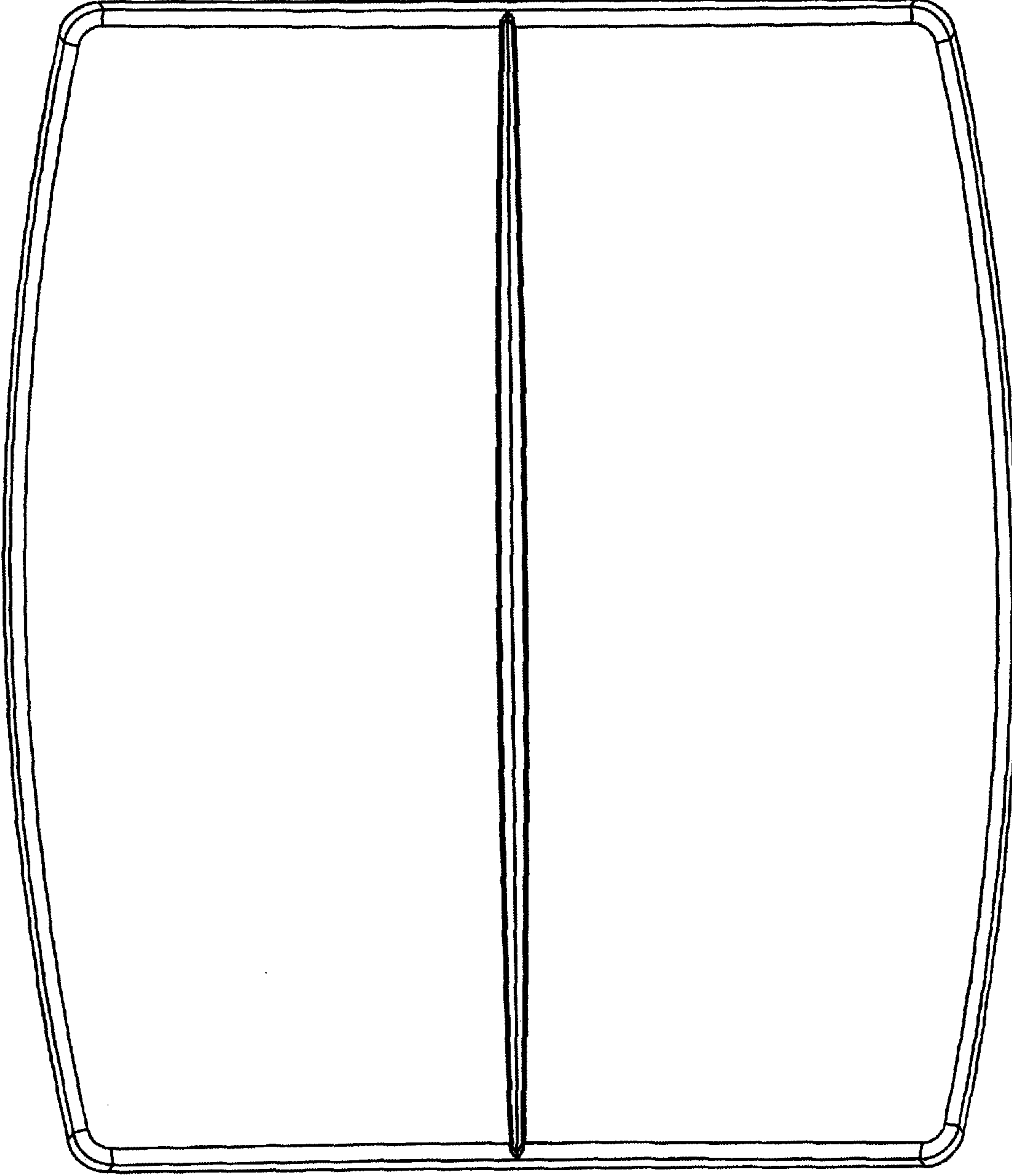


FIGURE 3

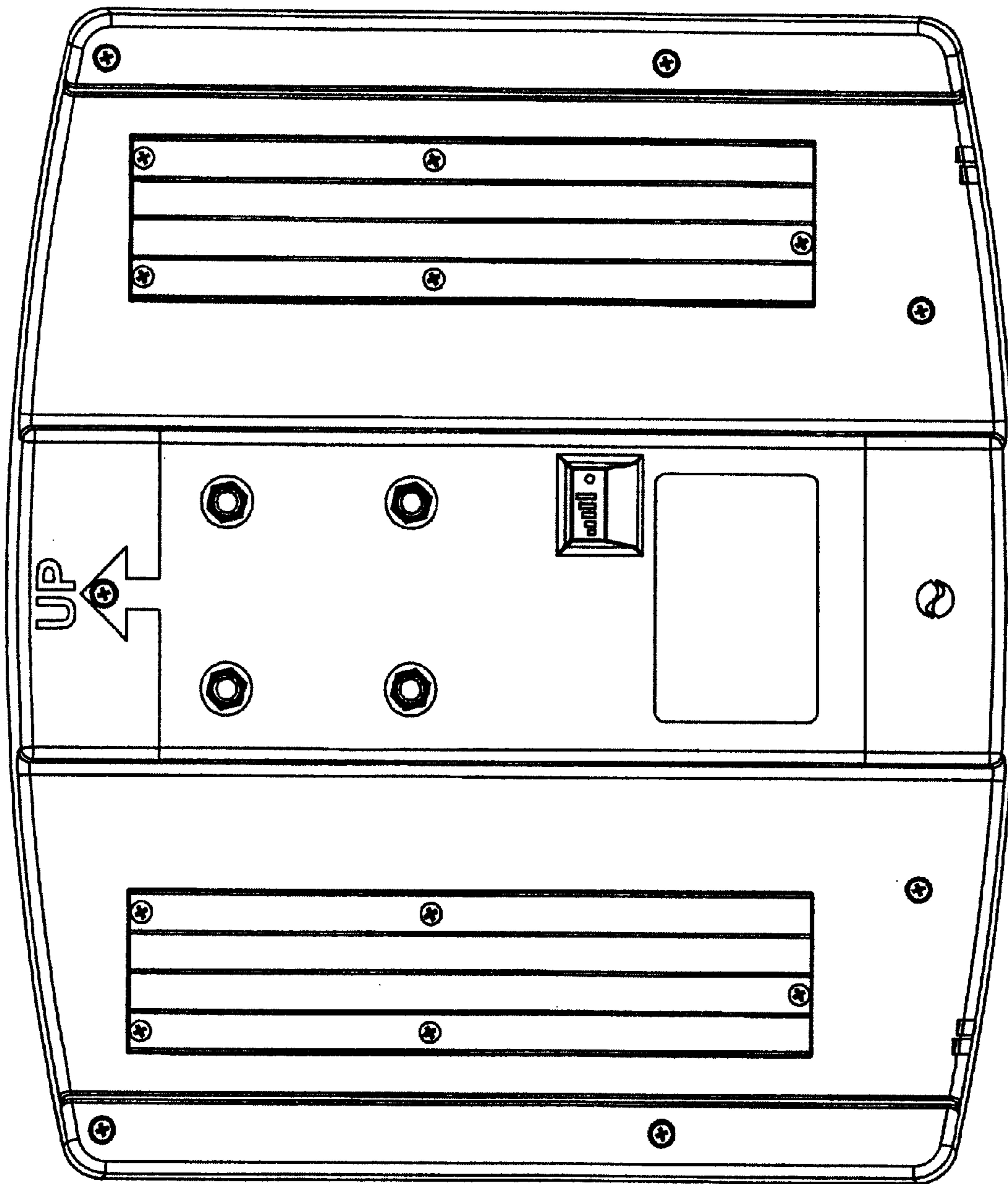


FIGURE 4

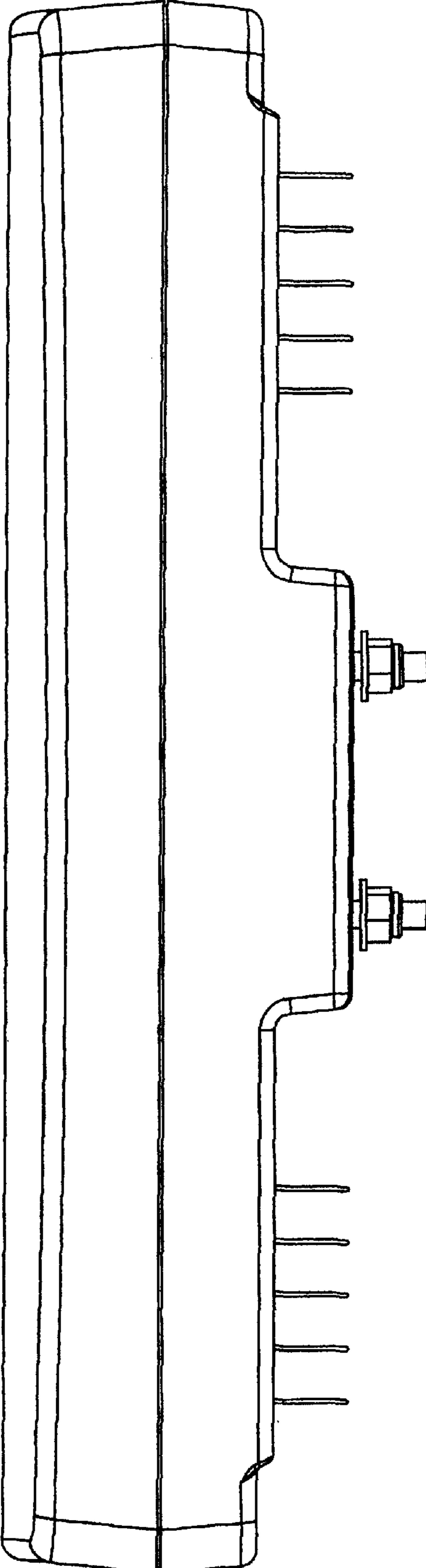


FIGURE 5

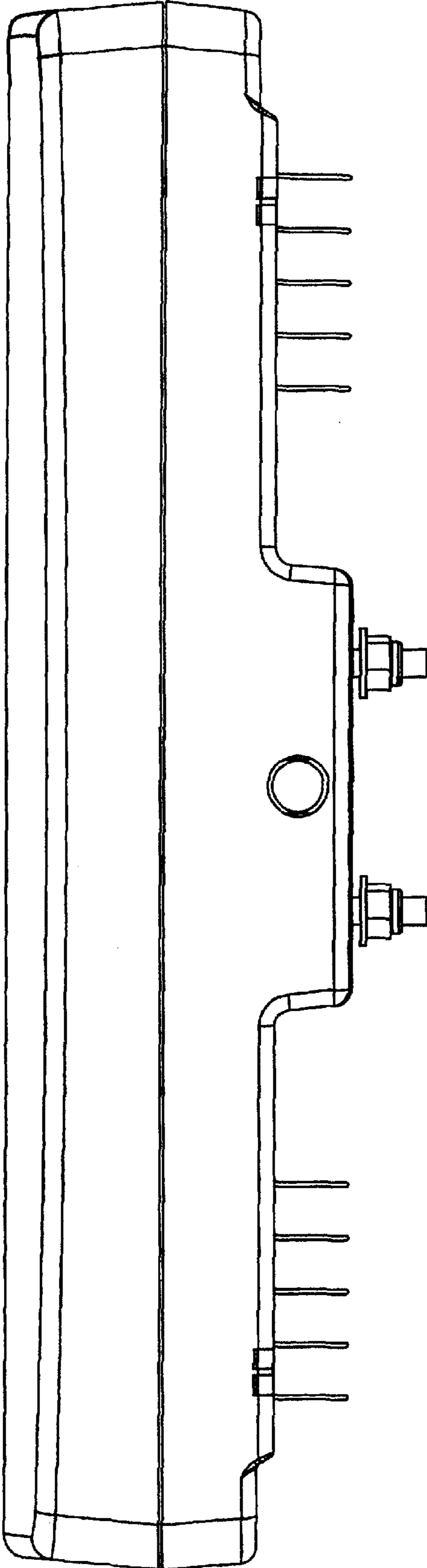


FIGURE 6

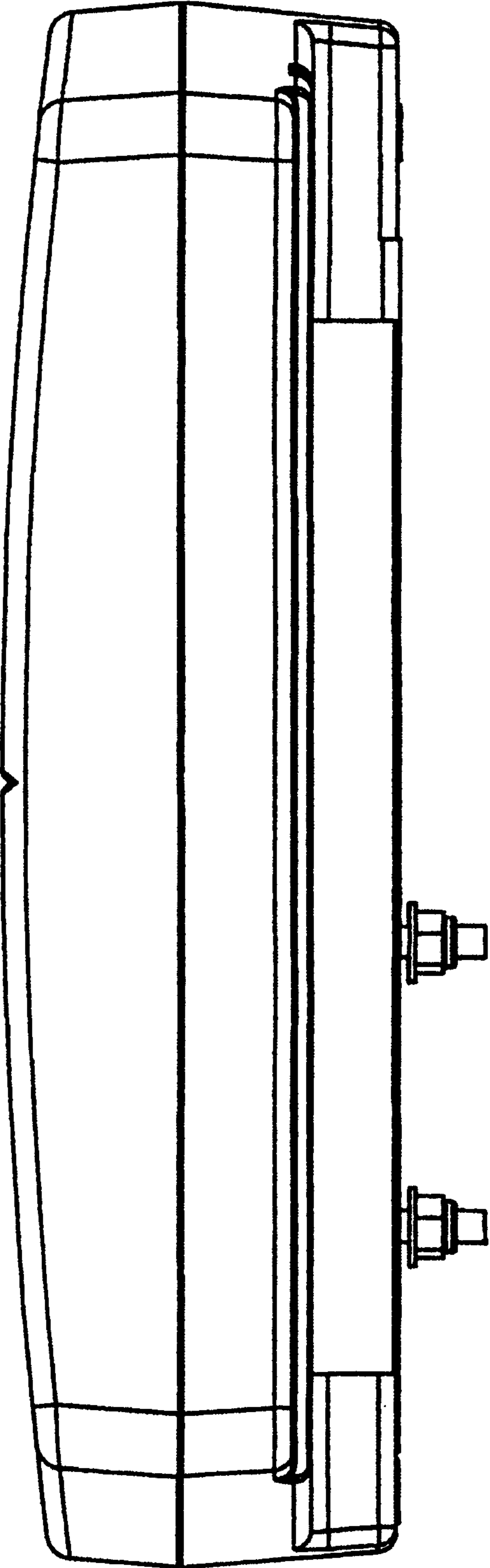


FIGURE 7