



US00D535645S

(12) **United States Design Patent**
Probst

(10) **Patent No.:** **US D535,645 S**

(45) **Date of Patent:** **** *Jan. 23, 2007**

(54) **MICROPHONE**

(75) **Inventor:** **Eli Gregory Probst**, Westlake Village,
CA (US)

(73) **Assignee:** **Telex Communications, Inc.**,
Burnsville, MN (US)

(*) **Notice:** This patent is subject to a terminal dis-
claimer.

(**) **Term:** **14 Years**

(21) **Appl. No.:** **29/237,110**

(22) **Filed:** **Aug. 25, 2005**

(51) **LOC (8) Cl.** **14-01**

(52) **U.S. Cl.** **D14/225**

(58) **Field of Classification Search** D14/225,
D14/226, 227, 228, 229; 181/158, 198, 242;
381/157, 158, 181, 355, 356, 357, 358, 359,
381/360, 361, 362, 363, 364, 365, 366; D21/513
See application file for complete search history.

(56) **References Cited**

U.S. PATENT DOCUMENTS

1,678,842 A * 7/1928 Aiken 181/198
2,188,150 A * 1/1940 Malat 248/346.03

2,263,668 A * 11/1941 Woodworth 362/86
D183,114 S * 7/1958 Burroughs D14/228
D194,151 S * 11/1962 Deschamps et al. D14/228
D233,669 S * 11/1974 Plice D14/228
D302,158 S * 7/1989 Kubota D14/225
6,219,429 B1 * 4/2001 Chung 381/363
D448,364 S * 9/2001 Chung D14/228
D457,876 S * 5/2002 Chung D14/228
D475,038 S * 5/2003 Jarodsky et al. D14/228

* cited by examiner

Primary Examiner—Paula A. Greene

(74) *Attorney, Agent, or Firm*—Fredrickson & Byron, P.A.

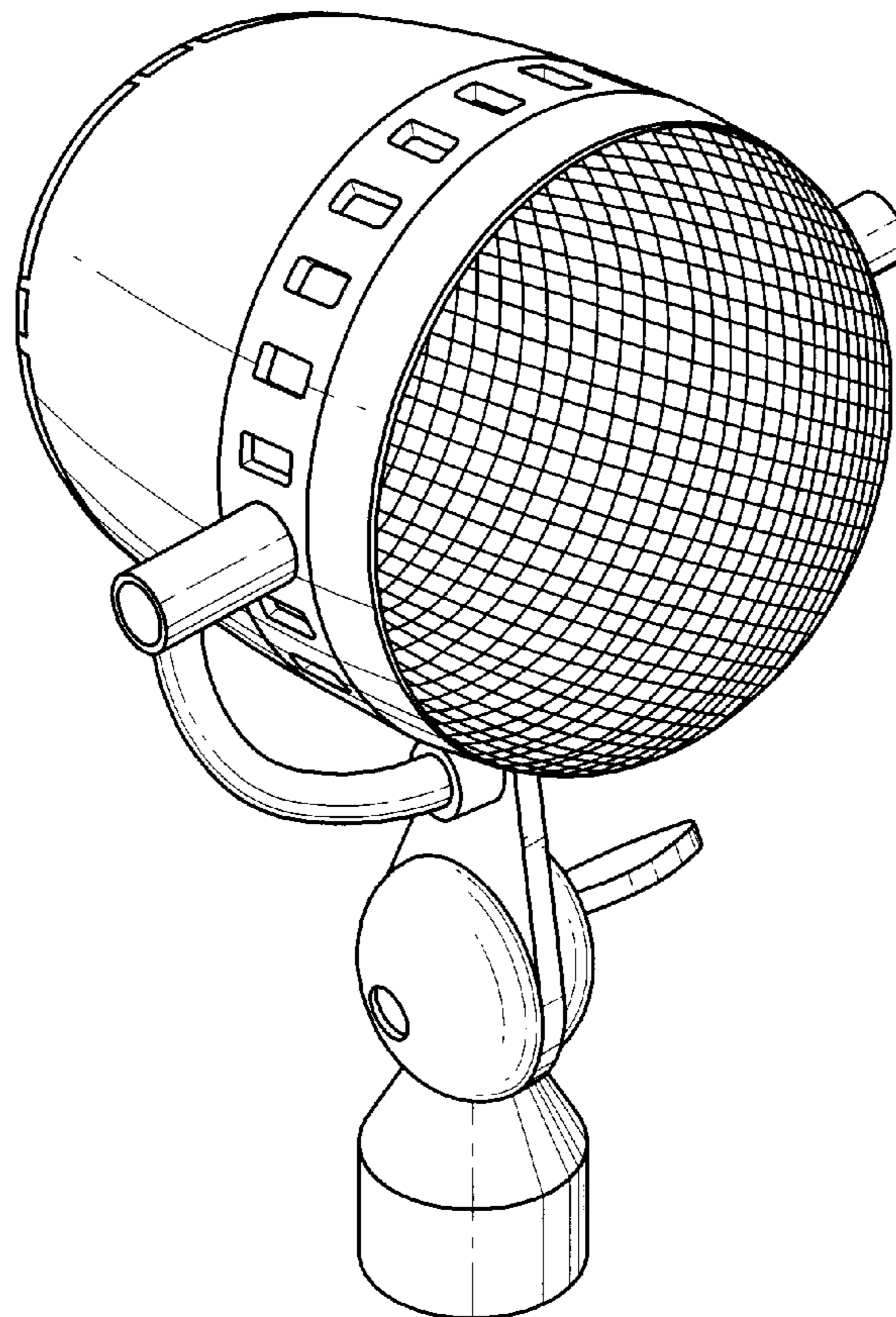
(57) **CLAIM**

The ornamental design for a microphone, as shown and
described.

DESCRIPTION

FIG. 1 is a perspective front view of a microphone showing
my new design;
FIG. 2 is a left side view thereof;
FIG. 3 is a right side view thereof;
FIG. 4 is a front view thereof;
FIG. 5 is a back view thereof;
FIG. 6 is a top view thereof; and,
FIG. 7 is a bottom view thereof.

1 Claim, 4 Drawing Sheets



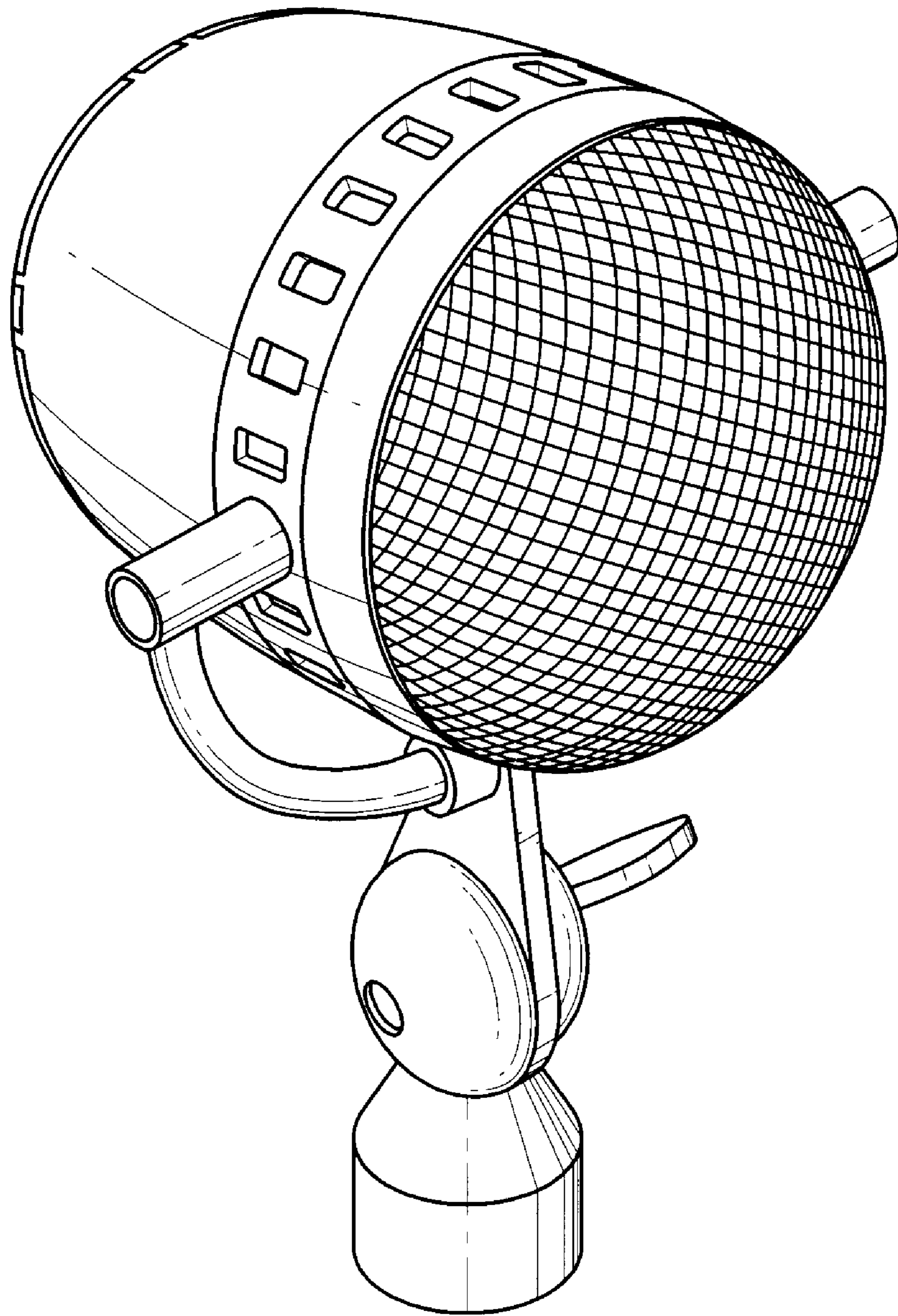


FIG. 1

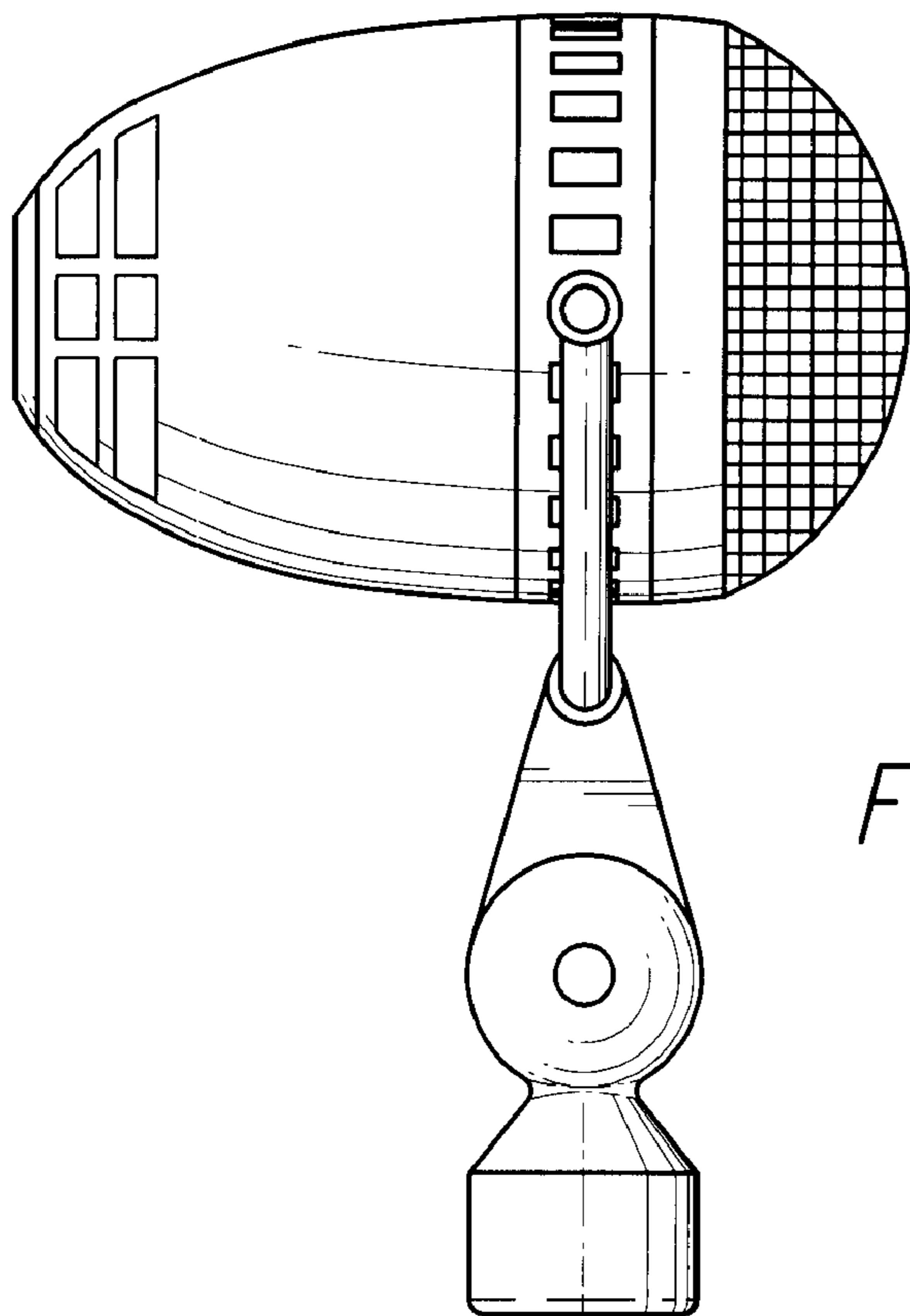


FIG. 2

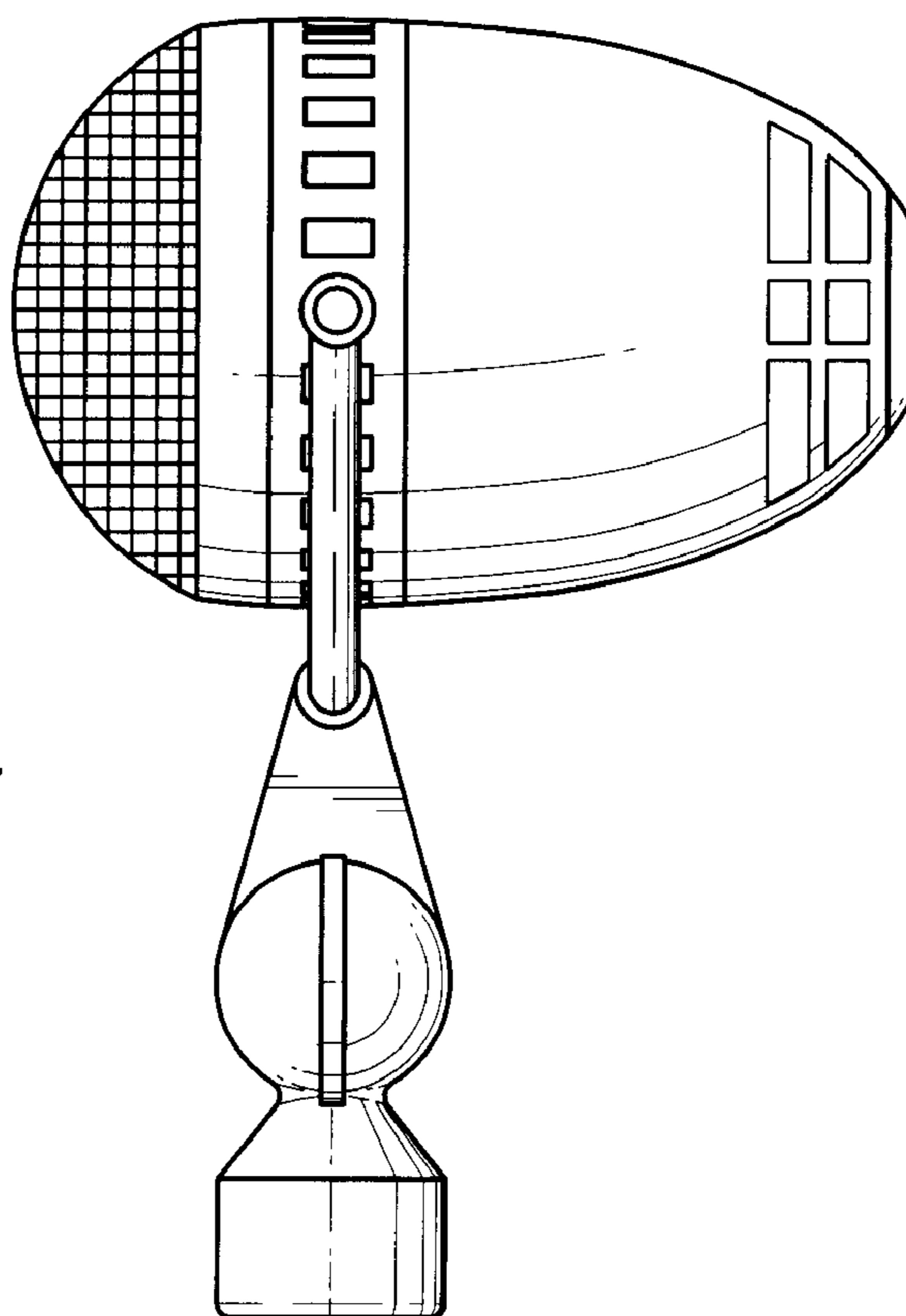


FIG. 3

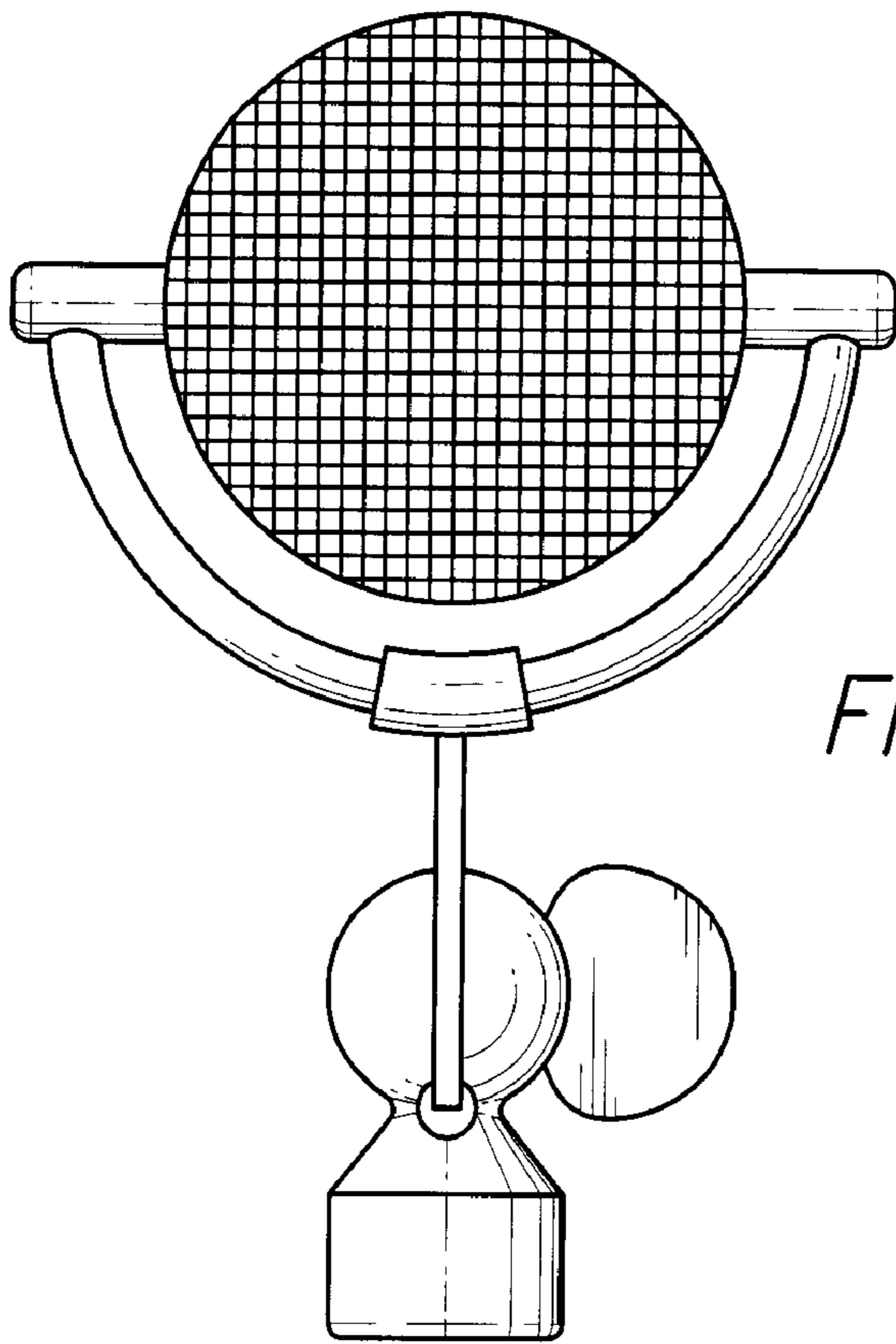


FIG. 4

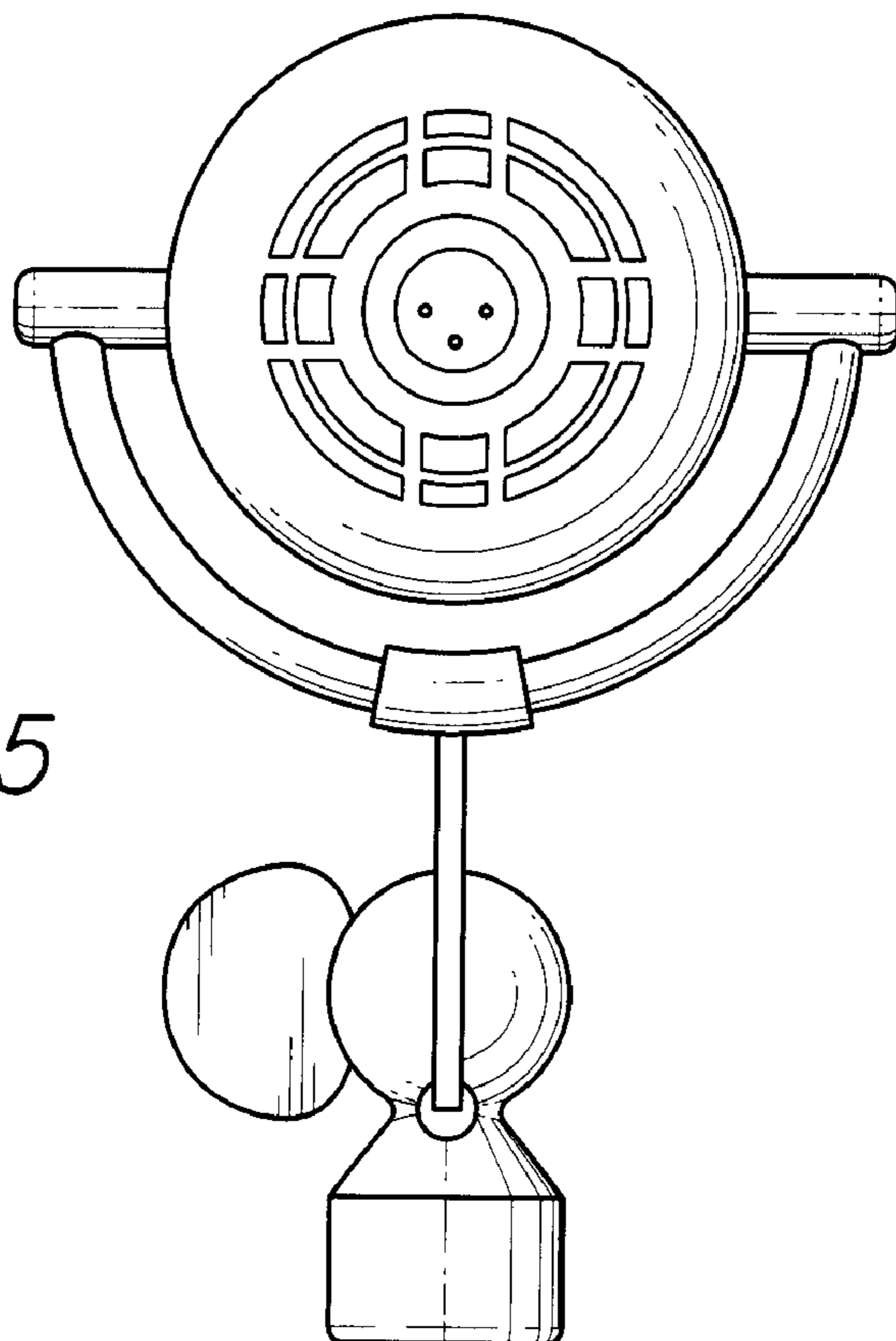


FIG. 5

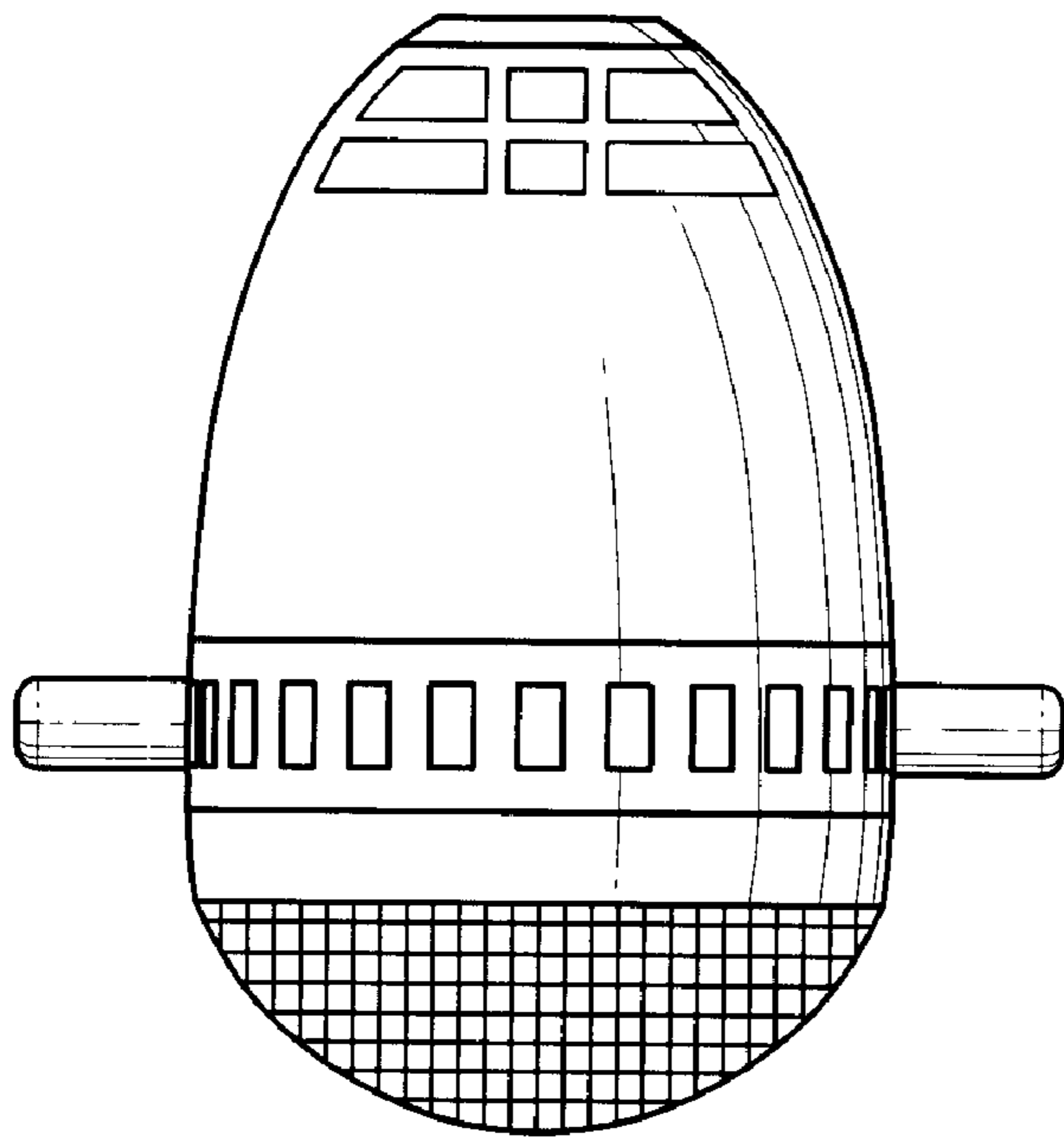


FIG. 6

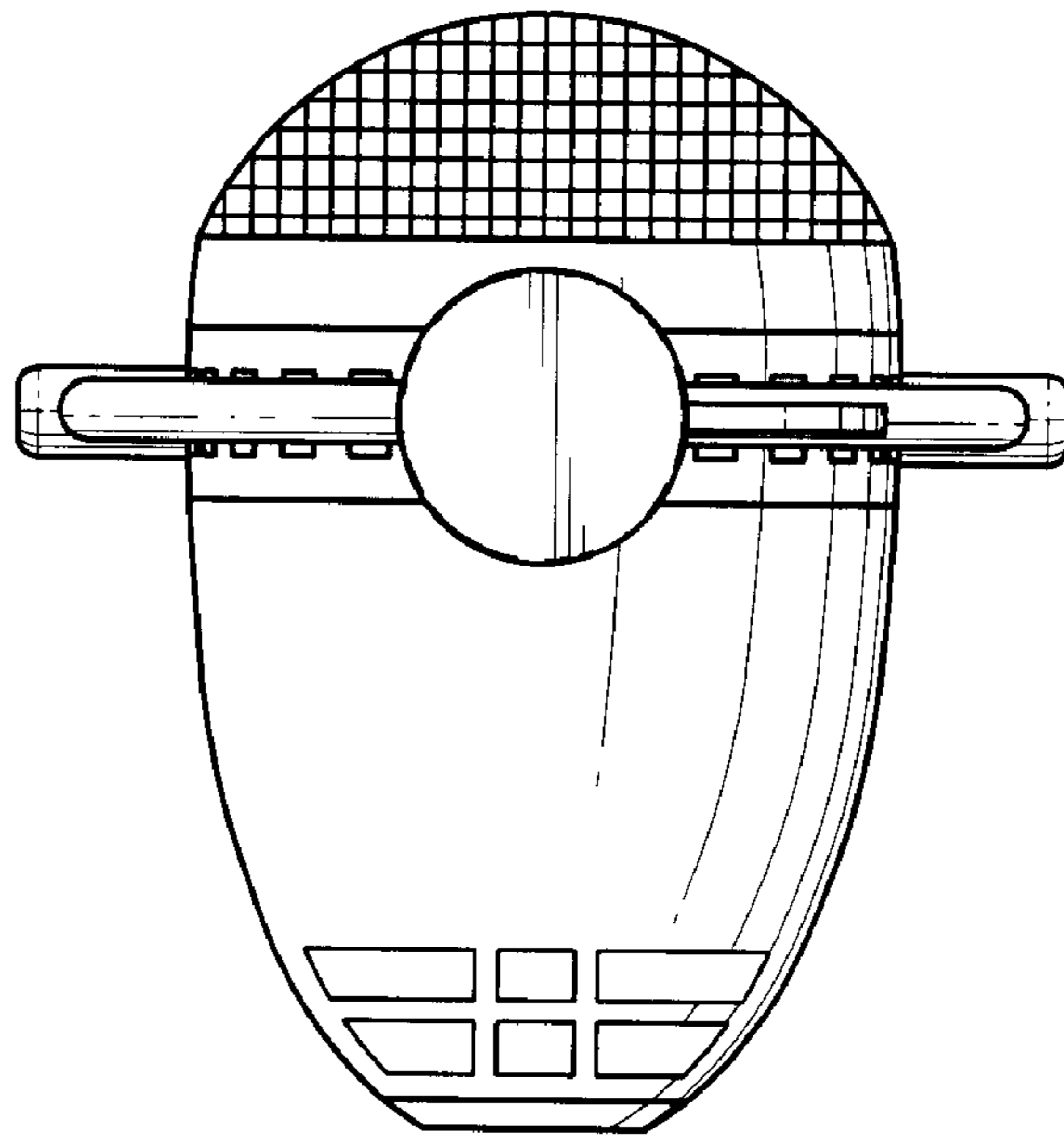


FIG. 7