



US00D535644S

(12) **United States Design Patent**
Drambarean et al.

(10) **Patent No.:** **US D535,644 S**
(45) **Date of Patent:** **** Jan. 23, 2007**

(54) **HIGH-FIDELITY NOISE-EXCLUDING
EARPHONES WITH ERGONOMICALLY
DESIGNED CONSTRUCTION**

(75) Inventors: **Viorel Drambarean**, Skokie, IL (US);
Andrew J. Haapapuro, Arlington
Heights, IL (US); **Mead C. Killion**, Elk
Grove Village, IL (US)

(73) Assignee: **Etymotic Research, Inc.**, Elk Grove
Village, IL (US)

(**) Term: **14 Years**

(21) Appl. No.: **29/261,086**

(22) Filed: **Jun. 7, 2006**

Related U.S. Application Data

(62) Division of application No. 29/232,457, filed on Jun. 20,
2005.

(51) **LOC (8) Cl.** **14-01**

(52) **U.S. Cl.** **D14/223**

(58) **Field of Classification Search** D14/192,
D14/205, 206, 218, 223; 181/128, 129, 130,
181/131, 132, 135, 137; 379/430, 431; 381/380,
381/381; D24/174, 106; 128/864; 2/209

See application file for complete search history.

(56) **References Cited**

U.S. PATENT DOCUMENTS

D259,279 S * 5/1981 Takeda D24/106
4,588,867 A * 5/1986 Konomi 379/430
4,936,411 A * 6/1990 Leonard 181/135

5,957,136 A * 9/1999 Magidson et al. 128/864
5,983,399 A * 11/1999 Falco et al. 2/209
D427,304 S * 6/2000 Magidson et al. D24/106
D435,036 S * 12/2000 Koss et al. D14/223
D455,835 S * 4/2002 Anderson et al. D24/174
6,574,345 B1 * 6/2003 Huang 381/380
D514,551 S * 2/2006 Lee et al. D14/223

* cited by examiner

Primary Examiner—Paula A. Greene

(74) *Attorney, Agent, or Firm*—McAndrews, Held &
Malloy, Ltd.

(57) **CLAIM**

The ornamental design for the high-fidelity noise-excluding
earphone with ergonomically designed construction, as
shown and described.

DESCRIPTION

FIG. 1 is a perspective view of a high-fidelity noise-
excluding earphones with ergonomically designed construc-
tion showing our new design;

FIG. 2 is a perspective view thereof;

FIG. 3 is a side elevation view of the embodiment of FIG.
1.

FIG. 4 is a bottom plan view of the embodiment of FIG. 1.

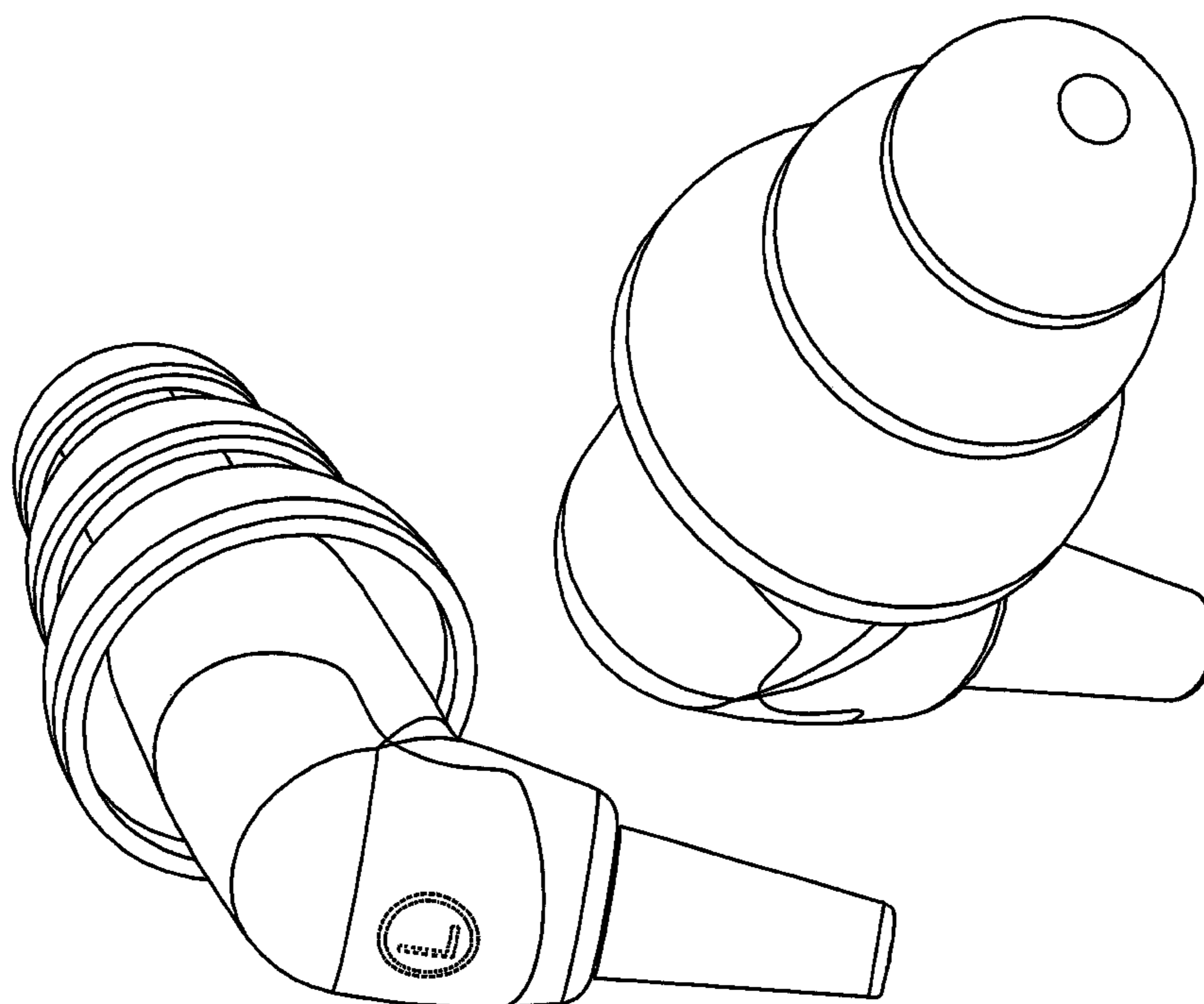
FIG. 5 is another side elevation view of the embodiment of
FIG. 1.

FIG. 6 is a rear elevation view of the embodiment of FIG.
1.

FIG. 7 is an insertion end elevation view of the embodiment
of FIG. 1; and,

FIG. 8 is a top plan view of the embodiment of FIG. 1.

1 Claim, 8 Drawing Sheets



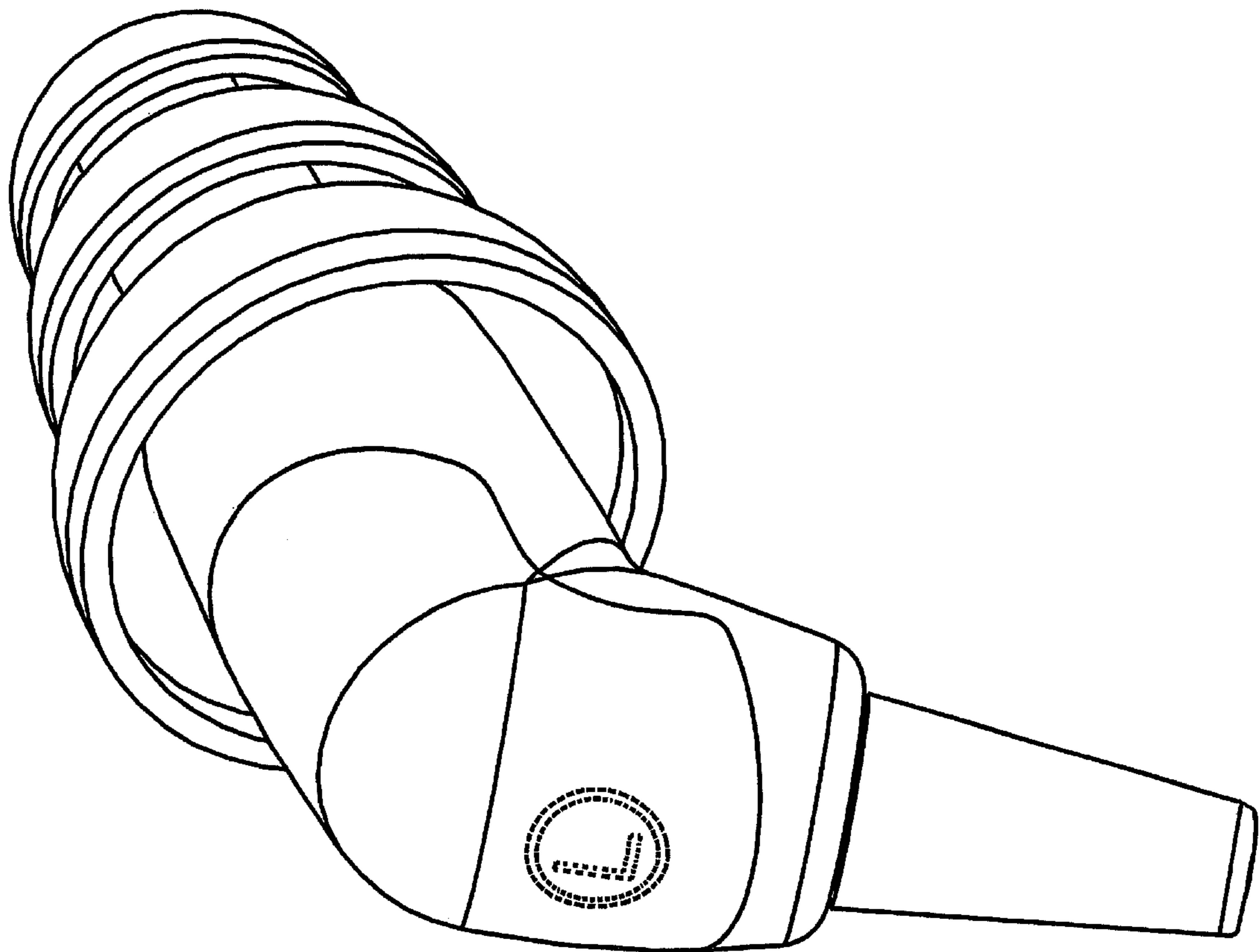


Fig. 1

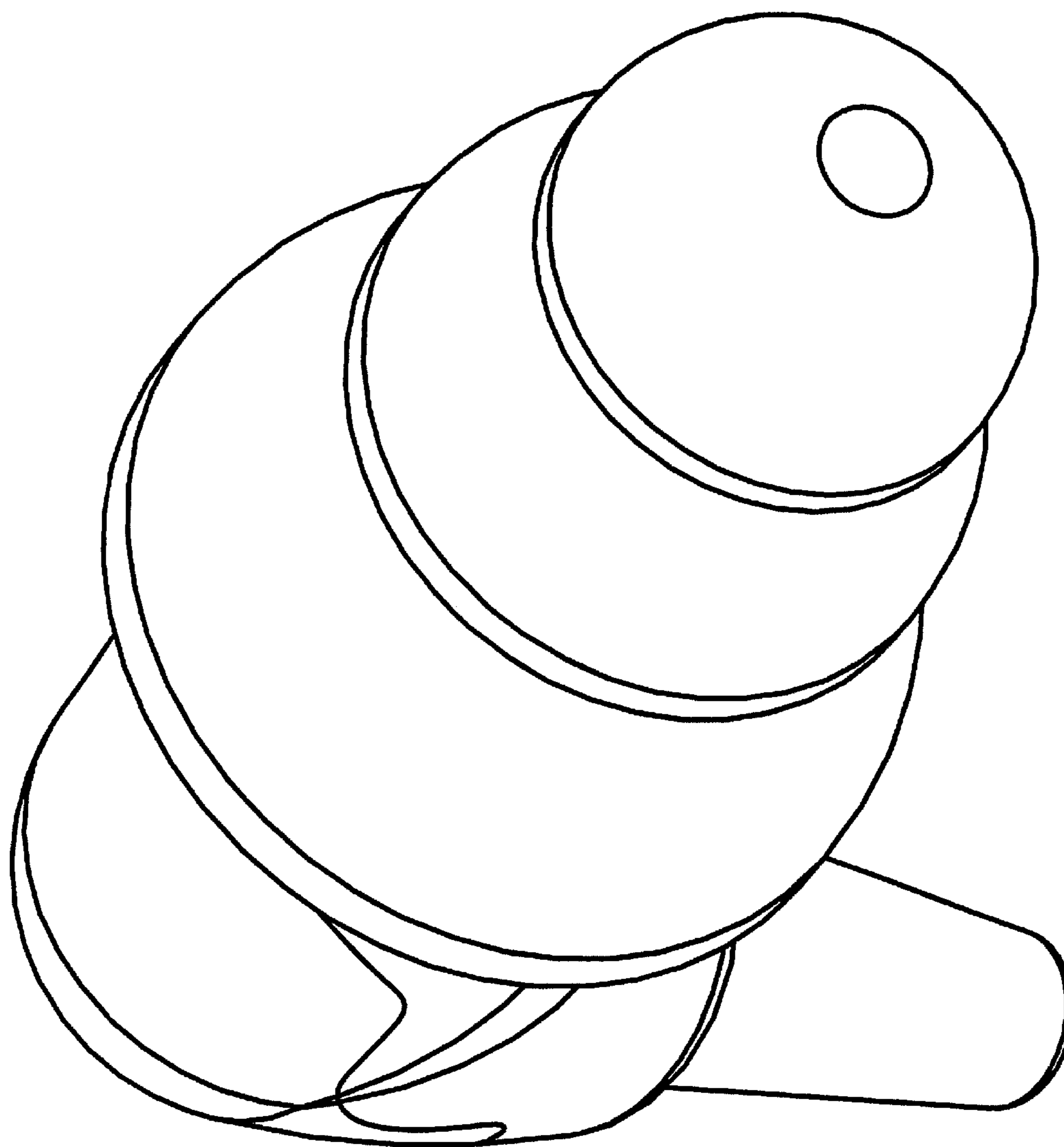


Fig. 2

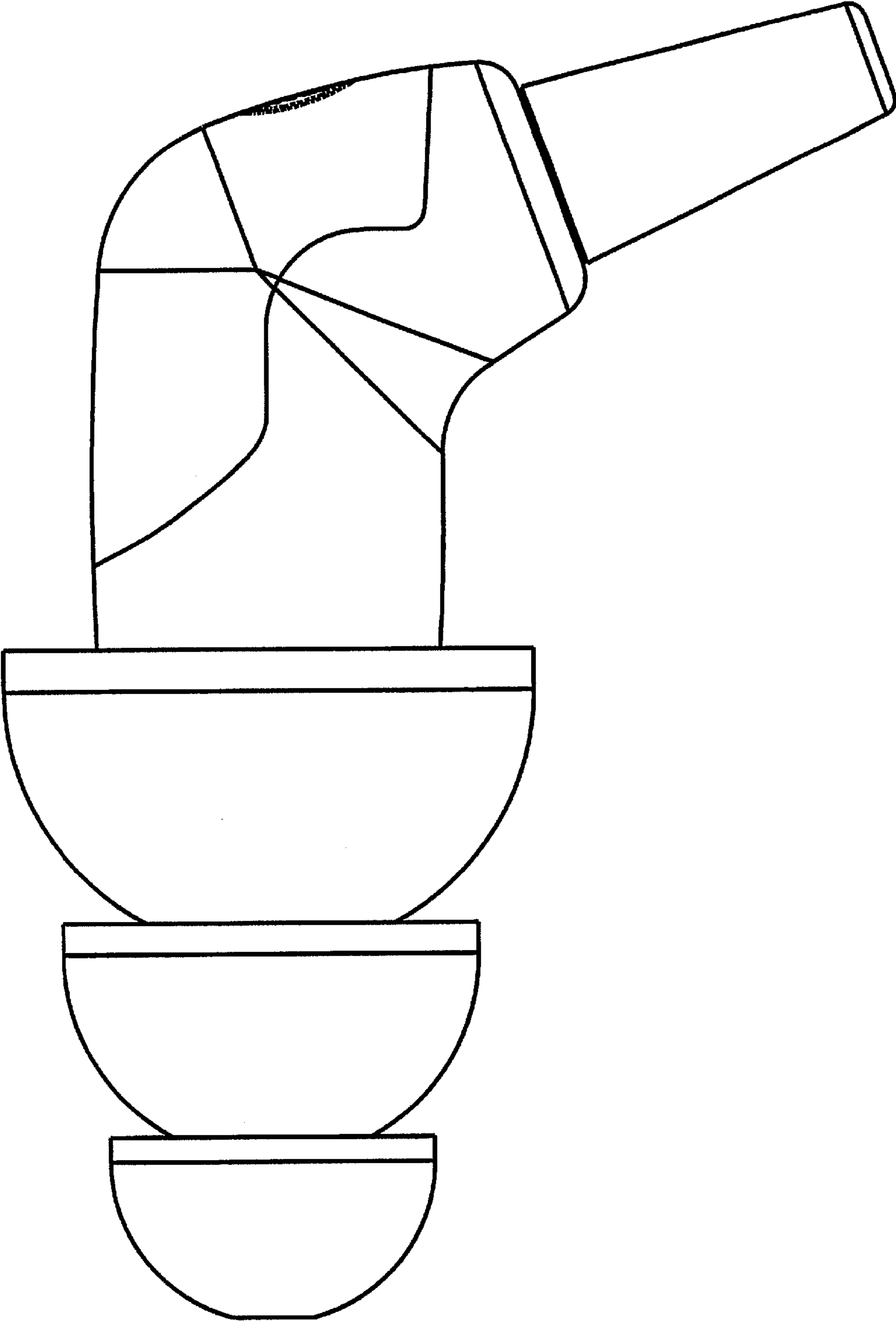


Fig. 3

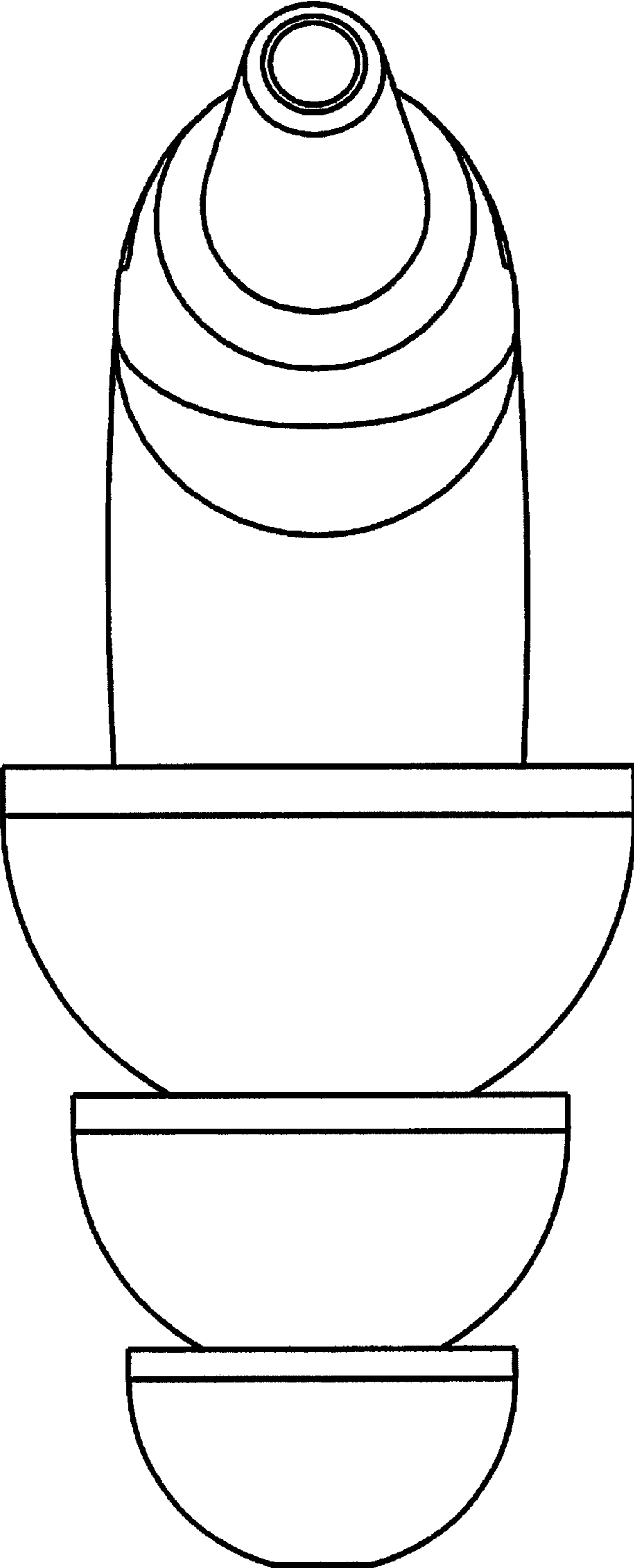


Fig. 4

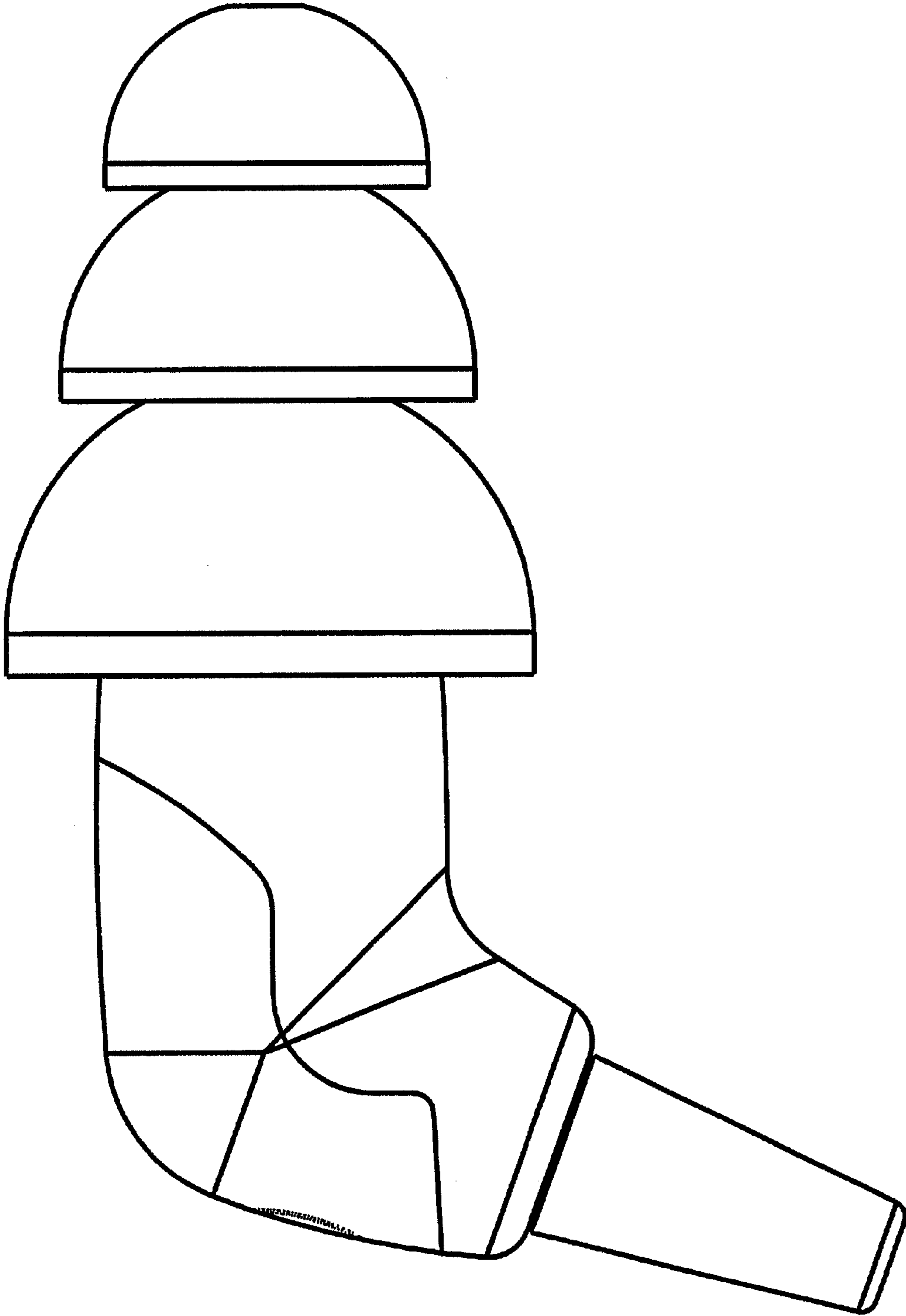


Fig. 5

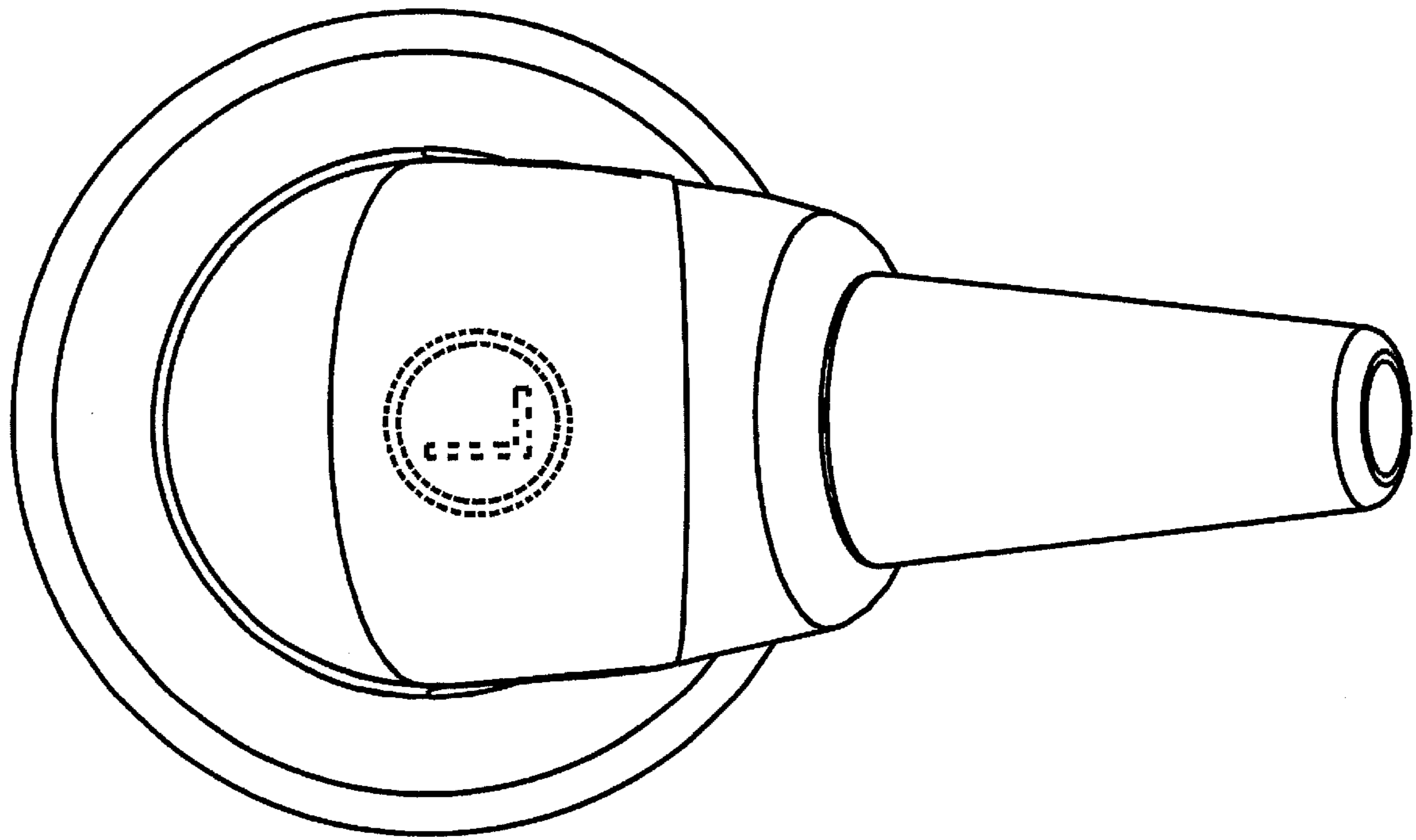


Fig. 6

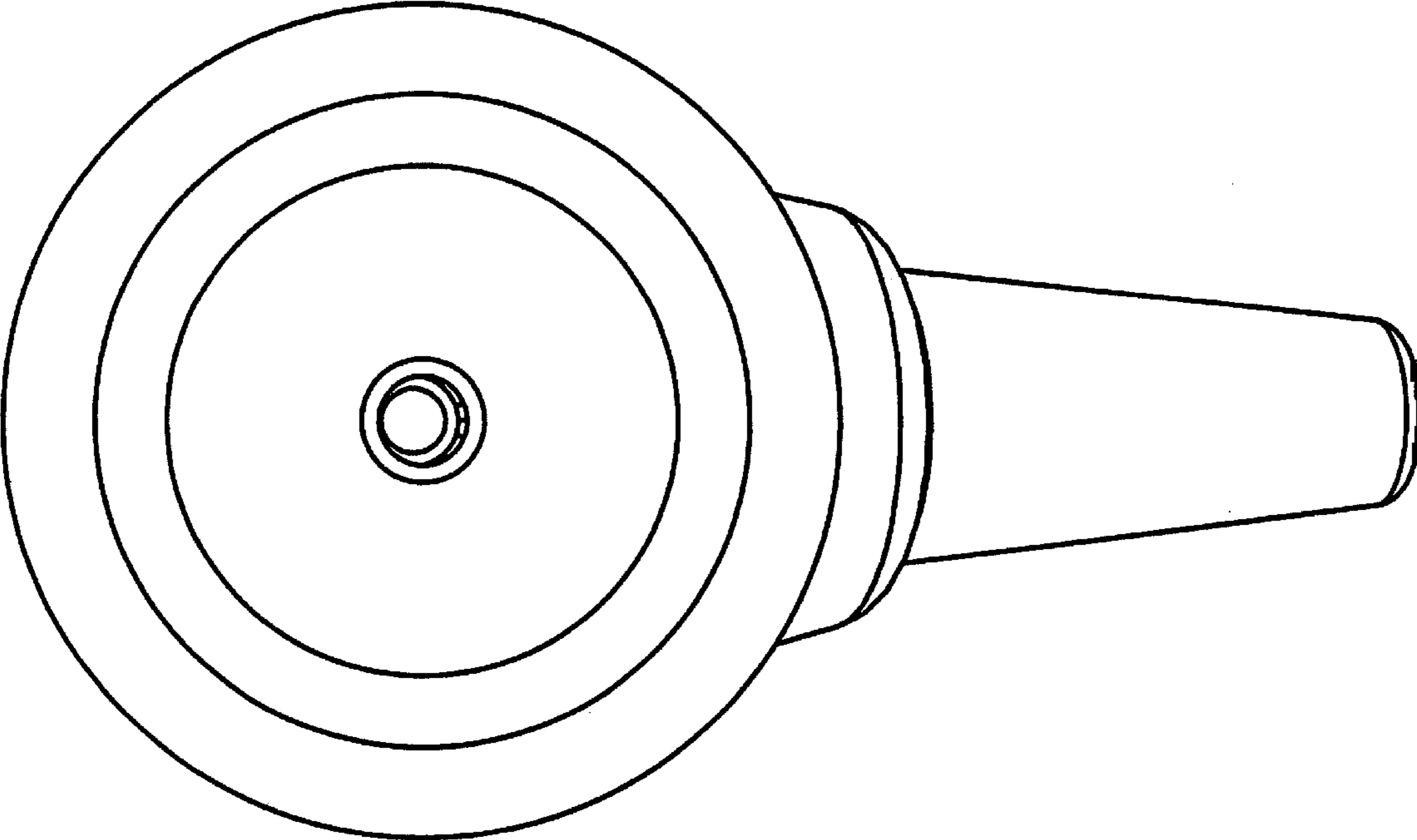


Fig. 7

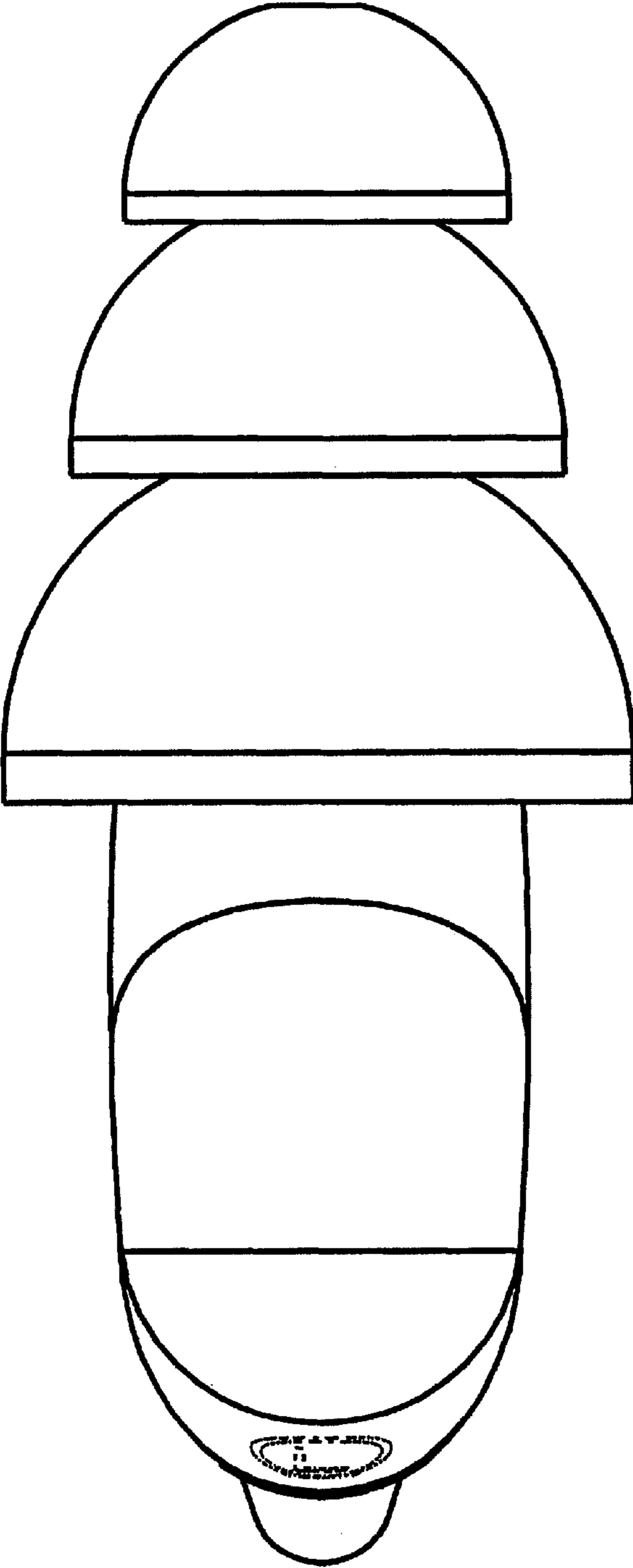


Fig. 8