



US00D535635S

(12) **United States Design Patent**  
**Hwang et al.**

(10) **Patent No.:** **US D535,635 S**

(45) **Date of Patent:** **\*\* Jan. 23, 2007**

(54) **CELLULAR PHONE**

(75) Inventors: **Chol ho Hwang**, Seoul (KR); **Bong il Mun**, Seoul (KR)

(73) Assignee: **Pantech & Curitel Communications, Inc.** (KR)

(\*\*) Term: **14 Years**

(21) Appl. No.: **29/228,037**

(22) Filed: **Apr. 18, 2005**

(51) **LOC (8) Cl.** ..... **14-03**

(52) **U.S. Cl.** ..... **D14/138**

(58) **Field of Classification Search** ..... D14/191,  
D14/138, 147–148, 247–248, 144, 496, 156,  
D14/341–347; 379/433.01–433.13; 455/575.3,  
455/566, 575.1, 556.1, 556.2, 90.3; D21/517;  
D16/208

See application file for complete search history.

(56) **References Cited**

U.S. PATENT DOCUMENTS

D445,412 S	*	7/2001	Lee et al.	.....	D14/138
D447,128 S	*	8/2001	Lee et al.	.....	D14/138
D458,594 S	*	6/2002	Jang	.....	D14/138
D483,342 S	*	12/2003	Lee et al.	.....	D14/138
D485,249 S	*	1/2004	Liao et al.	.....	D14/138
D486,809 S	*	2/2004	Hwang	.....	D14/138
D487,443 S	*	3/2004	Yoon	.....	D14/138
D489,699 S	*	5/2004	Hwang et al.	.....	D14/138
D496,347 S	*	9/2004	Choi et al.	.....	D14/191
D500,016 S	*	12/2004	Kim	.....	D14/138
D503,697 S	*	4/2005	Kim	.....	D14/138
D506,454 S	*	6/2005	Kim et al.	.....	D14/138
D507,252 S	*	7/2005	Kim et al.	.....	D14/138
D507,787 S	*	7/2005	Ahn et al.	.....	D14/138
D508,034 S	*	8/2005	Liao	.....	D14/138
D508,475 S	*	8/2005	Wu et al.	.....	D14/138
D508,476 S	*	8/2005	Kim	.....	D14/138
D509,815 S	*	9/2005	Jang	.....	D14/138
D510,733 S	*	10/2005	Lee et al.	.....	D14/138
D512,396 S	*	12/2005	Kim et al.	.....	D14/138
D513,505 S	*	1/2006	Lee	.....	D14/138
D515,061 S	*	2/2006	Kim et al.	.....	D14/138

D518,465 S	*	4/2006	Van Den Nieuwenhuizen et al.	.....	D14/138
D519,098 S	*	4/2006	Han et al.	.....	D14/138
D520,484 S	*	5/2006	Lee et al.	.....	D14/138
D521,477 S	*	5/2006	Kim et al.	.....	D14/138
2004/0132513 A1	*	7/2004	Taneda et al.	.....	455/575.3
2004/0214619 A1	*	10/2004	Chiang	.....	455/575.3
2004/0248625 A1	*	12/2004	Yoshida et al.	.....	455/575.1

OTHER PUBLICATIONS

Samsung E360 telephone, announced 4th Quarter 2005, [online], [retrieved on Aug. 21, 2006]. Retrieved from Internet ,<URL: http://www.gsmarena.com>.\*

LG U8550 telephone, announced Feb. 2006, [online], [retrieved on Aug. 21, 2006]. Retrieved from Internet ,<URL: http://www.gsmarena.com>.\*

Samsung Z520 telephone, announced Feb. 2006, [online], [retrieved on Aug. 21, 2006]. Retrieved from Internet ,<URL: http://www.gsmarena.com>.\*

Nokia 6136 telephone, announced Feb. 2006, [online], [retrieved Aug. 18, 2006]. Retrieved from Internet ,<URL: http://www.gsmarena.com>.\*

Philips S880 telephone, announced Jun. 2006, [online], [retrieved on Aug. 18, 2006]. Retrieved from Internet ,<URL: http://www.gsmarena.com>.\*

\* cited by examiner

*Primary Examiner*—Jeffrey Asch

(74) *Attorney, Agent, or Firm*—Blakely Sokoloff Taylor & Zafman

(57) **CLAIM**

The ornamental design for a cellular phone, as shown and described.

**DESCRIPTION**

FIG. 1 is a perspective view of the cellular phone showing the new design;

FIG. 2 is a front view thereof;

FIG. 3 is a rear view thereof;

FIG. 4 is a left-side view thereof;

FIG. 5 is a right-side view thereof;

FIG. 6 is a top plan view thereof;

FIG. 7 is a bottom view thereof; and,

FIG. 8 is a front view showing open position thereof.

**1 Claim, 5 Drawing Sheets**

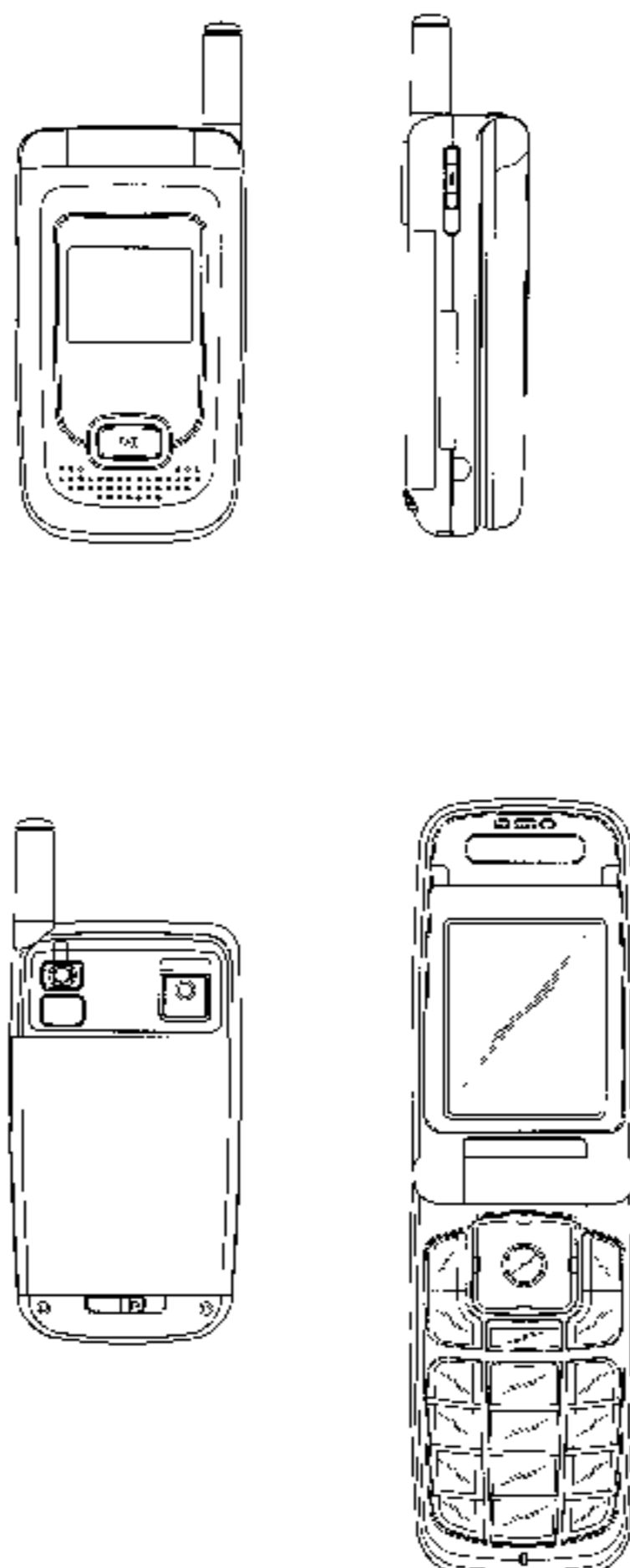


FIG. 1

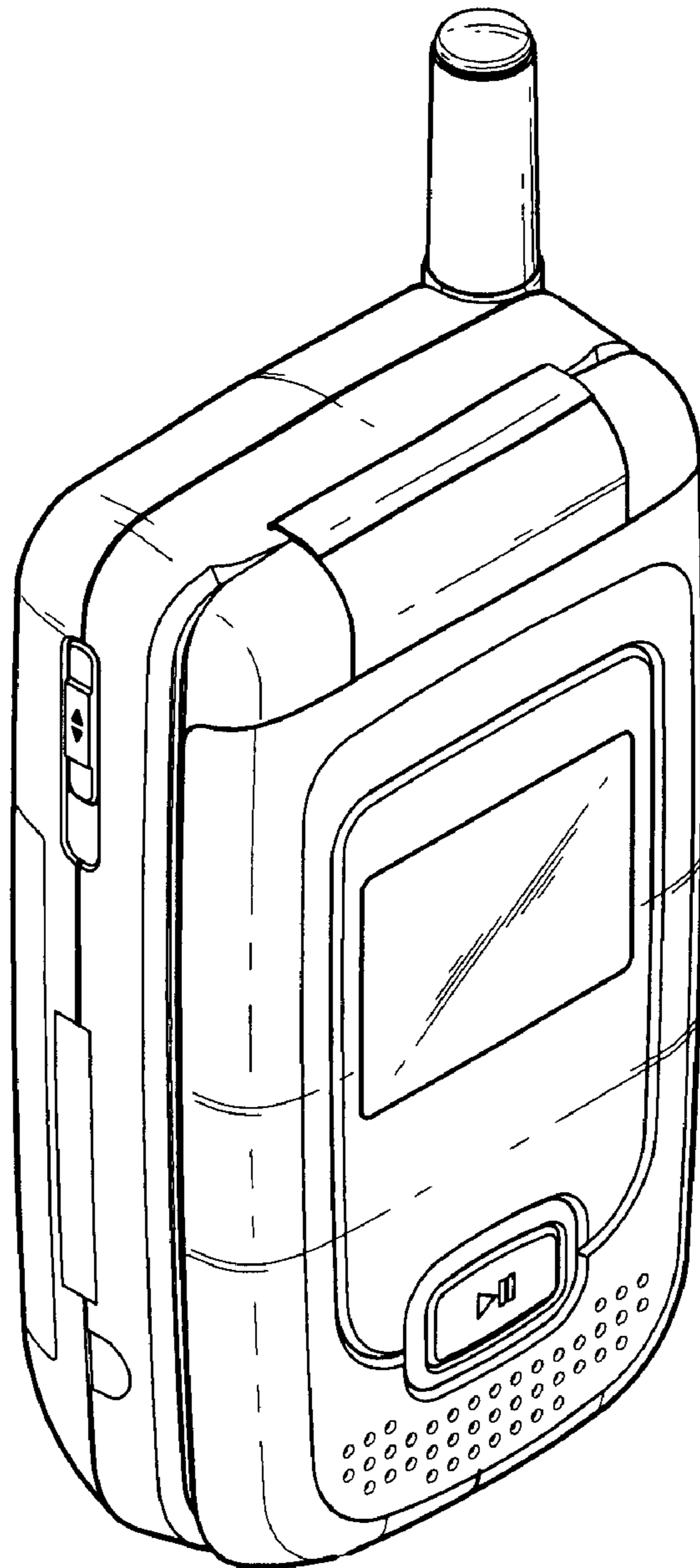


FIG. 2

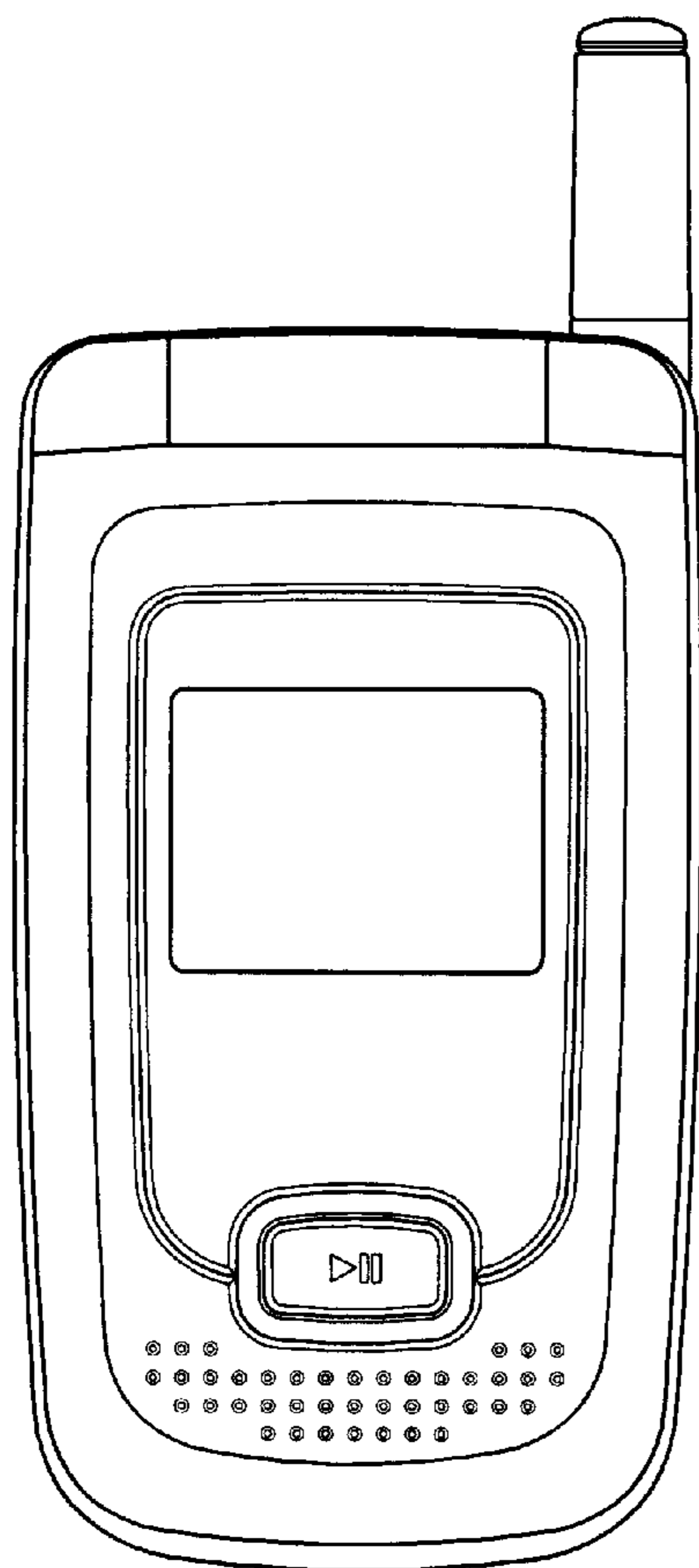


FIG. 3

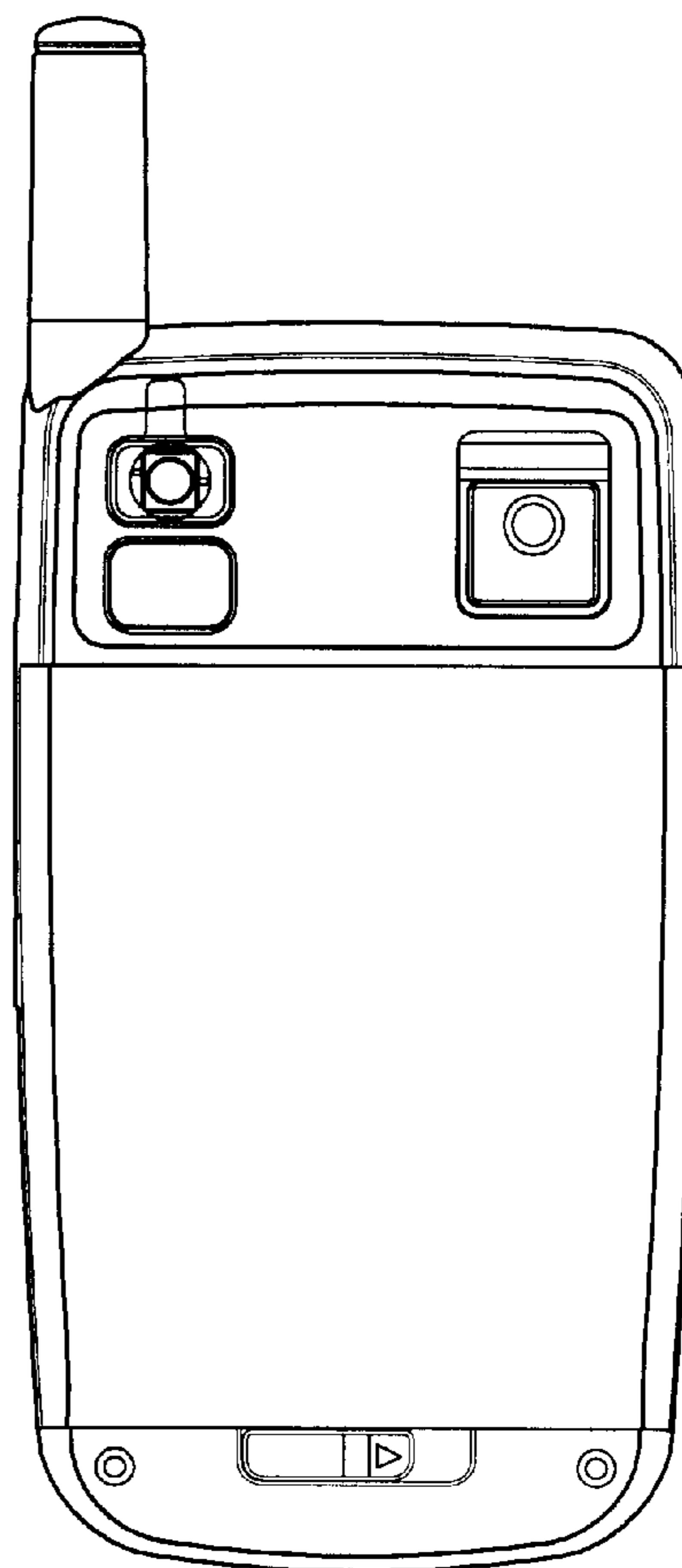


FIG. 4

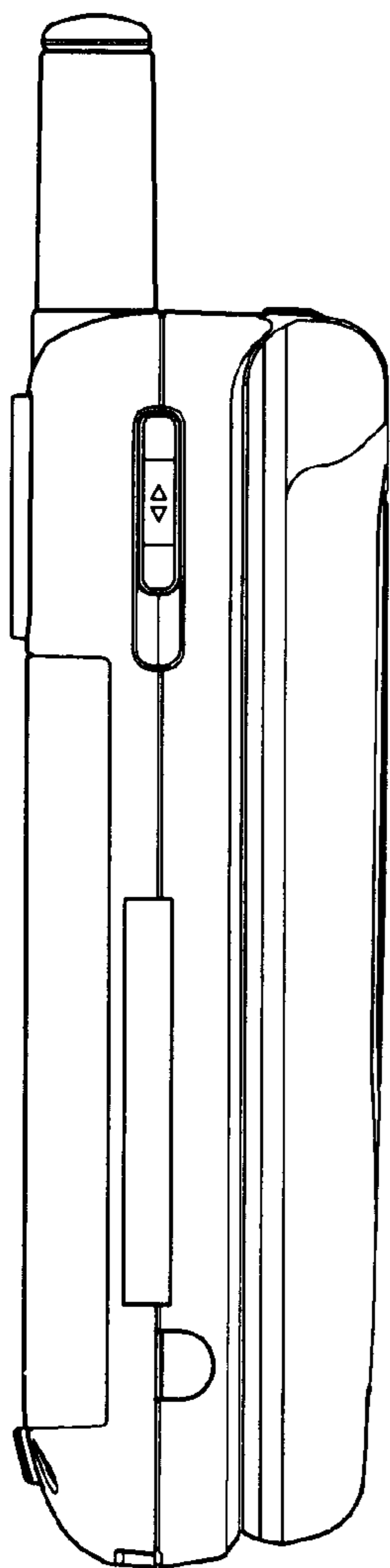


FIG. 5

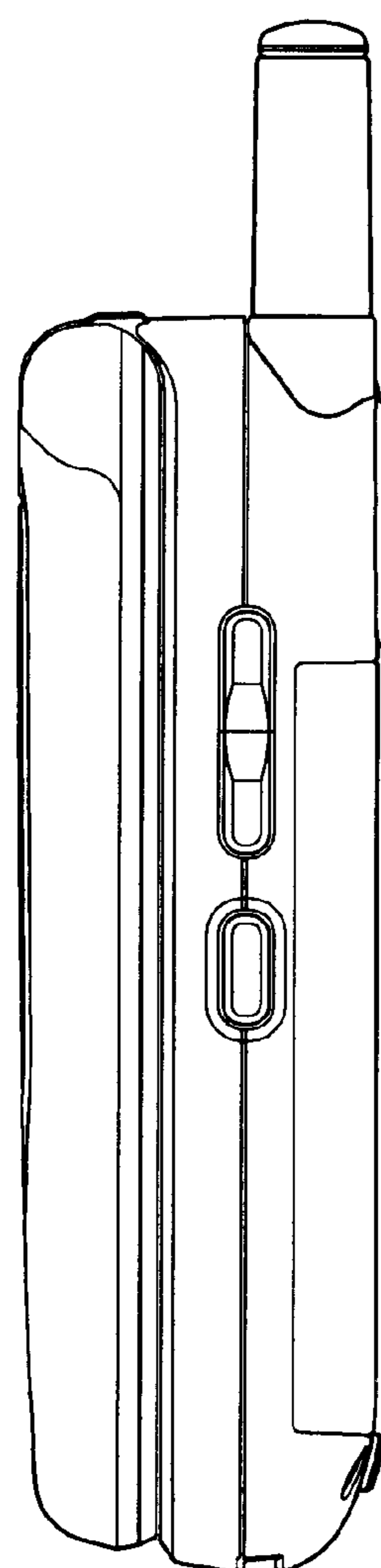


FIG. 6

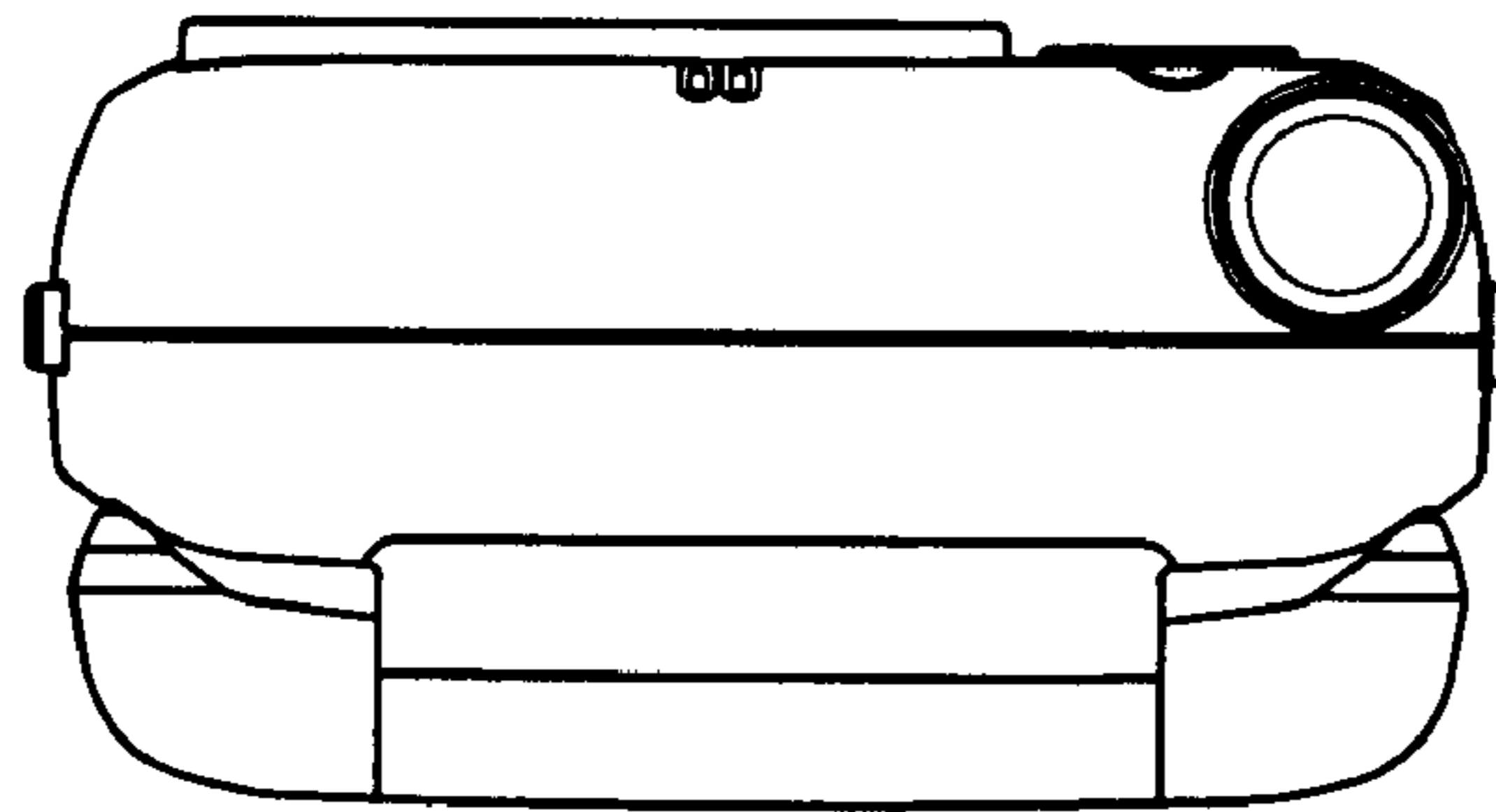


FIG. 7

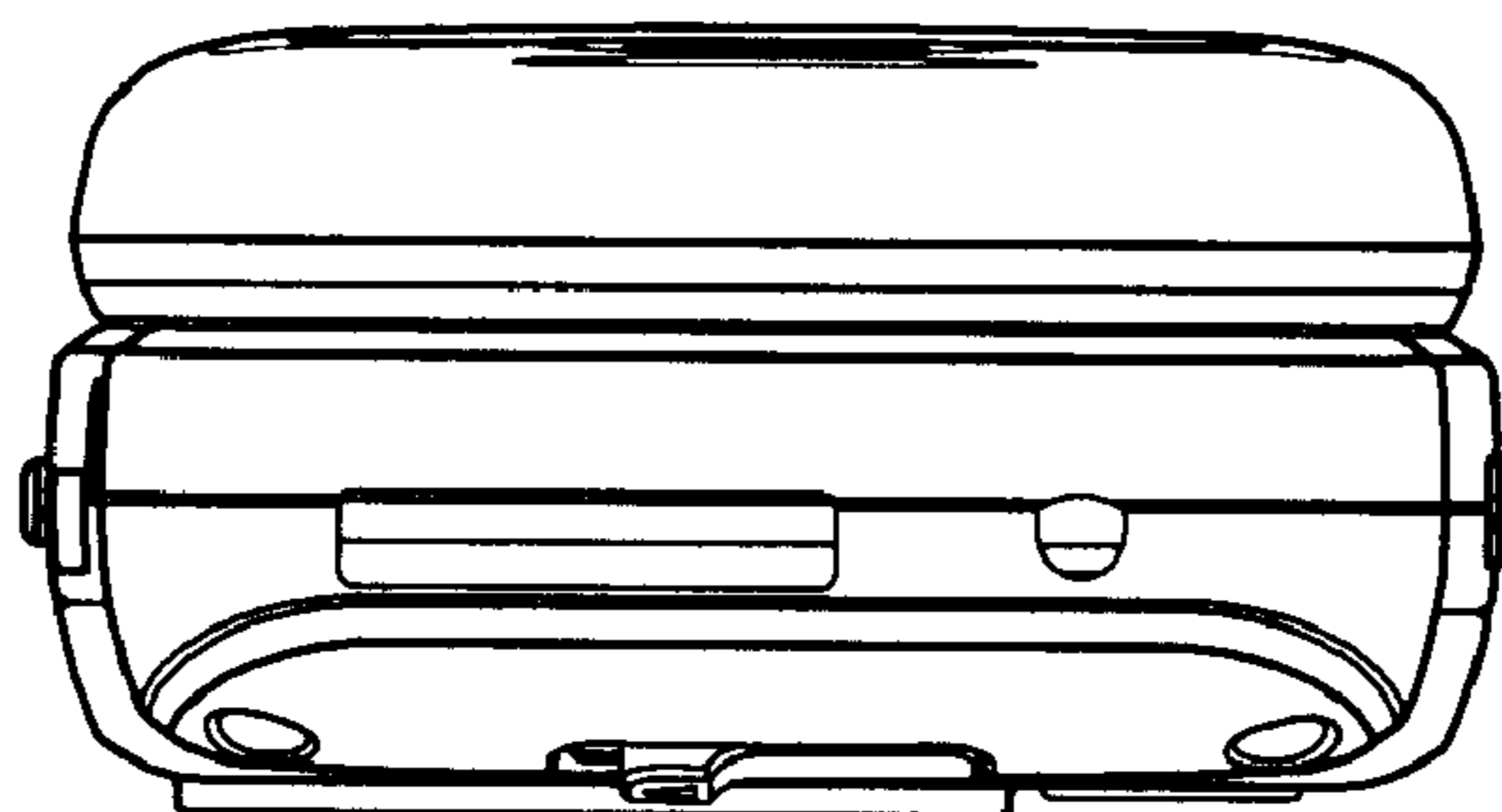


FIG. 8

