



US00D535634S

(12) **United States Design Patent**  
**Kim et al.**

(10) **Patent No.:** **US D535,634 S**  
(45) **Date of Patent:** **\*\* Jan. 23, 2007**

(54) **PORTABLE TELEPHONE**

(75) Inventors: **Joon-Suh Kim**, Seoul (KR); **Soo-Min Sohn**, Seoul (KR); **Chang-Soo Lee**, Seoul (KR)

(73) Assignee: **Samsung Electronics Co., Ltd.**, Kyunggi-do (KR)

(\*\*) Term: **14 Years**

(21) Appl. No.: **29/227,338**

(22) Filed: **Apr. 8, 2005**

(51) **LOC (8) Cl.** ..... **14-03**

(52) **U.S. Cl.** ..... **D14/138**

(58) **Field of Classification Search** ..... D14/191,  
D14/138, 147-148, 247-248, 144, 496, 156,  
D14/341-347; 379/433.01-433.13; 455/575.3,  
455/566, 575.1, 556.1, 556.2, 90.3; D21/517;  
D16/208

See application file for complete search history.

(56) **References Cited**

**U.S. PATENT DOCUMENTS**

3,123,676	A	*	3/1964	Prescott et al.	.....	379/368
5,027,394	A		6/1991	Ono et al.		
5,428,350	A		6/1995	Kurcbart et al.		
5,436,954	A		7/1995	Nishiyama et al.		
D407,716	S		4/1999	Park		
D407,717	S		4/1999	Kim		
D407,718	S		4/1999	Lee		
D410,920	S		6/1999	Lee et al.		
D411,537	S		6/1999	Lee		
D414,765	S		10/1999	Park		
D415,151	S		10/1999	Kim		
D415,488	S		10/1999	Lee		
D420,677	S	*	2/2000	Kolinen	.....	D14/247
6,069,648	A		5/2000	Suso et al.		
D431,827	S		10/2000	Yim		
D441,745	S	*	5/2001	Yabusaki	.....	D14/247
D455,414	S	*	4/2002	Lee et al.	.....	D14/138
D455,736	S	*	4/2002	Vuolteenaho et al.	.....	D14/247

(Continued)

**FOREIGN PATENT DOCUMENTS**

JP D1154363 9/2002  
JP 2002-314654 \* 10/2002

**OTHER PUBLICATIONS**

U.S. Appl. No. 29/204,878, Applicant: Bum-Soo Park, et al., filed May 5, 2004 entitled Portable Telephone.  
U.S. Appl. No. 29/204,882, Applicant: Jin-Soo Kim, et al., filed May 5, 2004 entitled Portable Telephone.  
U.S. Appl. No. 29/204,874, Applicant: Jin-Soo Kim, et al., filed May 5, 2004 entitled Portable Telephone.  
U.S. Appl. No. 29/204,875, Applicant: Jin-Soo Kim, et al., filed May 5, 2004 entitled Portable Telephone.  
U.S. Appl. No. 29/204,883, Applicant: Jin-Soo Kim, et al., filed May 5, 2004 entitled Portable Telephone.  
U.S. Appl. No. 29/205,555, Applicant: Chi-Young Ahn, et al., filed May 17, 2004 entitled Portable Telephone.  
U.S. Appl. No. 29/205,559, Applicant: Chi-Young Ahn, et al., filed May 17, 2004 entitled Portable Telephone.  
U.S. Appl. No. 29/205,546, Applicant: Chi-Young Ahn, et al., filed May 17, 2004 entitled Portable Telephone.  
U.S. Appl. No. 29/214,253, Applicant: Hye-Jeong Lee, et al., filed Sep. 27, 2004 entitled Portable Telephone.

(Continued)

*Primary Examiner*—Jeffrey Asch

(74) *Attorney, Agent, or Firm*—Flynn, Thiel, Boutell & Tanis, P.C.

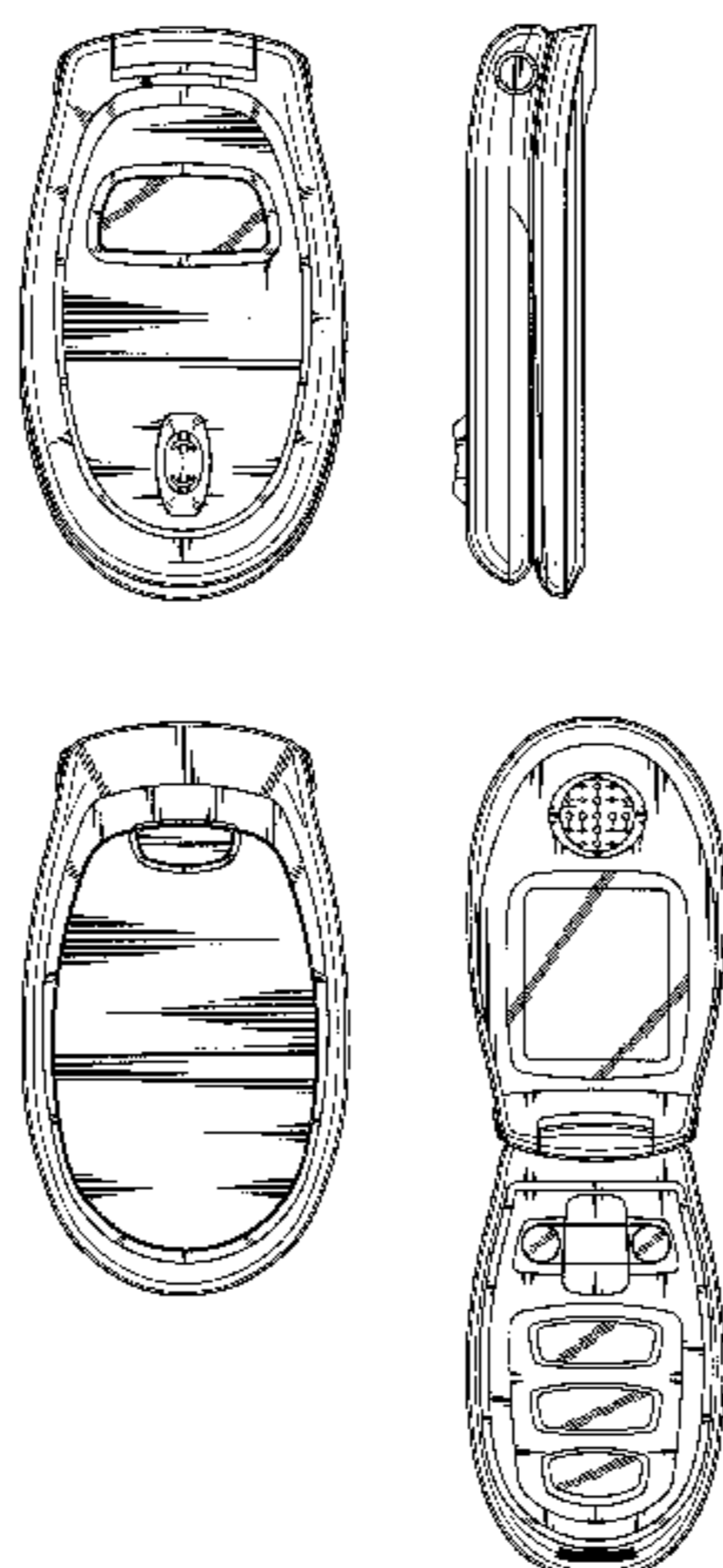
(57) **CLAIM**

The ornamental design for a portable telephone, as shown and described.

**DESCRIPTION**

FIG. 1. is a top front perspective view of a portable telephone showing our new design.  
FIG. 2. is a front elevational view thereof.  
FIG. 3. is a rear elevational view thereof.  
FIG. 4. is a left side elevational view thereof.  
FIG. 5. is a right side elevational view thereof.  
FIG. 6. is a top plan view thereof.  
FIG. 7. is a bottom plan view thereof; and,  
FIG. 8. is a front elevational view of using state thereof.

**1 Claim, 7 Drawing Sheets**



U.S. PATENT DOCUMENTS

D456,792 S \* 5/2002 Lee et al. .... D14/138  
 6,389,267 B1 5/2002 Imai  
 6,396,924 B1 5/2002 Suso et al.  
 D458,594 S 6/2002 Jang  
 D469,070 S \* 1/2003 Lee ..... D14/138  
 D477,293 S 7/2003 Hwang  
 D481,696 S \* 11/2003 Wei et al. .... D14/138  
 D484,862 S 1/2004 Yang  
 D484,863 S 1/2004 Chan  
 D485,249 S 1/2004 Liao et al.  
 D485,817 S \* 1/2004 Liao et al. .... D14/138  
 D485,818 S 1/2004 Yabe et al.  
 D486,811 S \* 2/2004 Lheem ..... D14/138  
 D487,443 S 3/2004 Yoon  
 D487,444 S 3/2004 Yoon  
 D488,453 S 4/2004 Chang et al.  
 D489,697 S \* 5/2004 Lee et al. .... D14/138  
 D489,698 S 5/2004 Kim et al.  
 D489,699 S 5/2004 Hwang et al.  
 D490,389 S 5/2004 Yang  
 D491,906 S 6/2004 Okamatsu  
 D491,907 S 6/2004 Ogawa  
 D492,675 S \* 7/2004 Wei et al. .... D14/248  
 D493,439 S 7/2004 Hong et al.  
 D493,440 S 7/2004 Chou et al.  
 D495,672 S 9/2004 Jeon et al.  
 D495,674 S 9/2004 Yoo et al.  
 D495,675 S \* 9/2004 Nuovo et al. .... D14/144  
 D496,020 S 9/2004 Lee  
 D496,021 S 9/2004 Jang  
 D497,604 S \* 10/2004 Lee ..... D14/138  
 D499,390 S \* 12/2004 Cho ..... D14/138  
 D500,993 S \* 1/2005 Hwang ..... D14/138  
 D501,458 S 2/2005 Kim et al.  
 D501,658 S 2/2005 Park et al.  
 D501,837 S 2/2005 Kim et al.  
 D501,838 S 2/2005 Kim et al.  
 D502,161 S 2/2005 Kim et al.  
 D503,164 S 3/2005 Park et al.  
 D504,406 S 4/2005 Cho et al.  
 D506,454 S 6/2005 Kim et al.  
 D506,738 S 6/2005 Kim et al.  
 D506,739 S \* 6/2005 Shin et al. .... D14/138  
 D507,252 S 7/2005 Kim et al.  
 D507,788 S \* 7/2005 Li et al. .... D14/138  
 D508,035 S \* 8/2005 Kim et al. .... D14/138  
 D510,078 S \* 9/2005 Lee et al. .... D14/138  
 D510,333 S \* 10/2005 Lodato et al. .... D14/138  
 D511,760 S \* 11/2005 Shin et al. .... D14/138  
 D516,532 S \* 3/2006 Hunt et al. .... D14/138  
 D519,098 S \* 4/2006 Han et al. .... D14/138  
 D520,485 S \* 5/2006 Cho ..... D14/138  
 D521,972 S \* 5/2006 Yun et al. .... D14/138  
 D522,483 S \* 6/2006 Shin ..... D14/138  
 D523,833 S \* 6/2006 Koh et al. .... D14/138  
 2001/0036845 A1 \* 11/2001 Park ..... 455/566  
 2002/0187818 A1 12/2002 Kang  
 2003/0109232 A1 6/2003 Park et al.  
 2004/0009790 A1 1/2004 Im  
 2004/0023684 A1 2/2004 Sato et al.

2004/0097258 A1 5/2004 Lee et al.  
 2004/0097262 A1 5/2004 Lee  
 2004/0132513 A1 7/2004 Taneda et al.  
 2004/0142718 A1 7/2004 Kim  
 2004/0142734 A1 7/2004 Kim  
 2005/0130718 A1 \* 6/2005 Woo ..... 455/575.3  
 2005/0159189 A1 \* 7/2005 Iyer ..... 455/566

OTHER PUBLICATIONS

U.S. Appl. No. 29/216,563, Applicant: Jin-Soo Kim, et al., filed Nov. 4, 2004 entitled Portable Telephone.  
 U.S. Appl. No. 29/226,417, Applicant: Jin-Soo Kim, et al., filed Mar. 29, 2005 entitled Portable Telephone.  
 U.S. Appl. No. 29/226,418, Applicant: Ji-Hyun Moon, et al., filed Mar. 29, 2005 entitled Portable Telephone.  
 U.S. Appl. No. 29/226,419, Applicant: Min-Ah Koh, et al., filed Mar. 29, 2005 entitled Portable Telephone.  
 U.S. Appl. No. 29/226,420, Applicant: Min-Hyouk Lee, et al., filed Mar. 29, 2005 entitled Portable Telephone.  
 U.S. Appl. No. 29/226,442, Applicant: Min-Hyouk Lee, et al., filed Mar. 29, 2005 entitled Portable Telephone.  
 U.S. Appl. No. 29/226,443, Applicant: Jin-Soo Kim, et al., filed Mar. 29, 2005 entitled Portable Telephone.  
 U.S. Appl. No. 29/226,470, Applicant: Nam-Su Kim, et al., filed Mar. 29, 2005 entitled Portable Telephone.  
 U.S. Appl. No. 29/226,474, Applicant: Nam-Su Kim, et al., filed Mar. 29, 2005 entitled Portable Telephone.  
 U.S. Appl. No. 29/226,460, Applicant: Nam-Su Kim, et al., filed Mar. 29, 2005 entitled Portable Telephone.  
 U.S. Appl. No. 29/226,461, Applicant: Joon-Ki Yun, et al., filed Mar. 29, 2005 entitled Portable Telephone.  
 U.S. Appl. No. 29/226,462, Applicant: Yu-Guen Kim, et al., filed Mar. 29, 2005 entitled Portable Telephone.  
 U.S. Appl. No. 29/226,463, Applicant: Jin-Soo Kim, et al., filed Mar. 29, 2005 entitled Portable Telephone.  
 U.S. Appl. No. 29/226,465, Applicant: Ki-Eon Lee, et al., filed Mar. 29, 2005 entitled Portable Telephone.  
 U.S. Appl. No. 29/226,464, Applicant: Joon-Ki Yun, et al., filed Mar. 29, 2005 entitled Portable Telephone.  
 U.S. Appl. No. 29/226,454, Applicant: Woo-Seung Han, et al., filed Mar. 29, 2005 entitled Portable Telephone.  
 U.S. Appl. No. 29/226,455, Applicant: Woo-Seung Han, et al., filed Mar. 29, 2005 entitled Portable Telephone.  
 U.S. Appl. No. 29/226,982, Applicant: Yu-Guen Kim, et al., filed Apr. 5, 2005 entitled Portable Telephone.  
 U.S. Appl. No. 29/226,990, Applicant: Yu-Guen Kim, et al., filed Apr. 5, 2005 entitled Portable Telephone.  
 U.S. Appl. No. 29/227,339, Applicant: Joon-Suh Kim, et al., filed Apr. 7, 2005 entitled Portable Telephone.  
 U.S. Appl. No. 29/227,258, Applicant: Min-Ah Koh, et al., filed Apr. 8, 2005 entitled Portable Telephone.  
 U.S. Appl. No. 29/219,068, Applicant: Dae-Yoeb Park, et al., filed Dec. 10, 2004 entitled Portable Telephone.  
 U.S. Appl. No. 29/224,584, Applicant: Ha-Youl Jung, et al., filed Mar. 3, 2005 entitled Portable Telephone.

\* cited by examiner

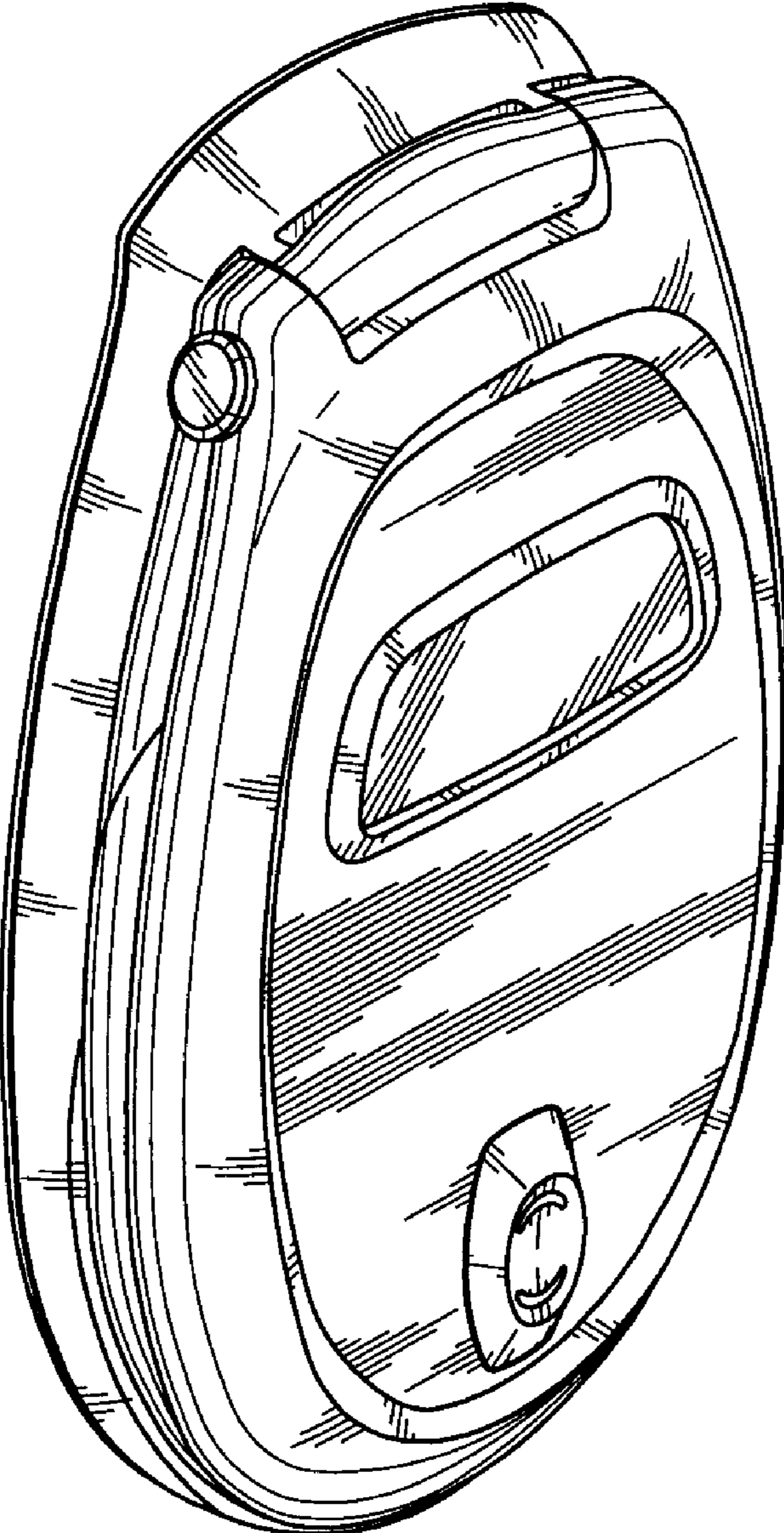


FIG. 1

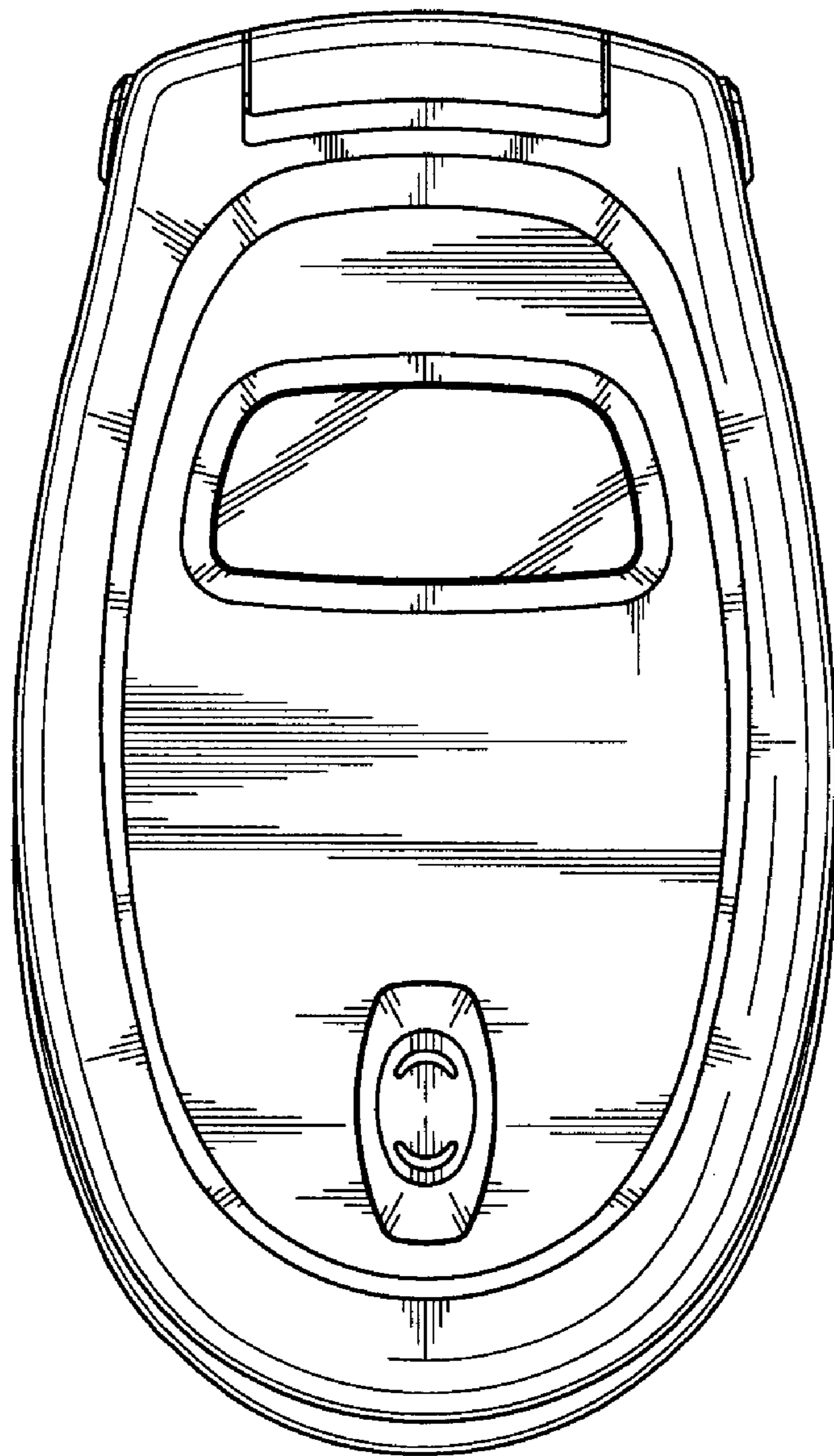


FIG. 2

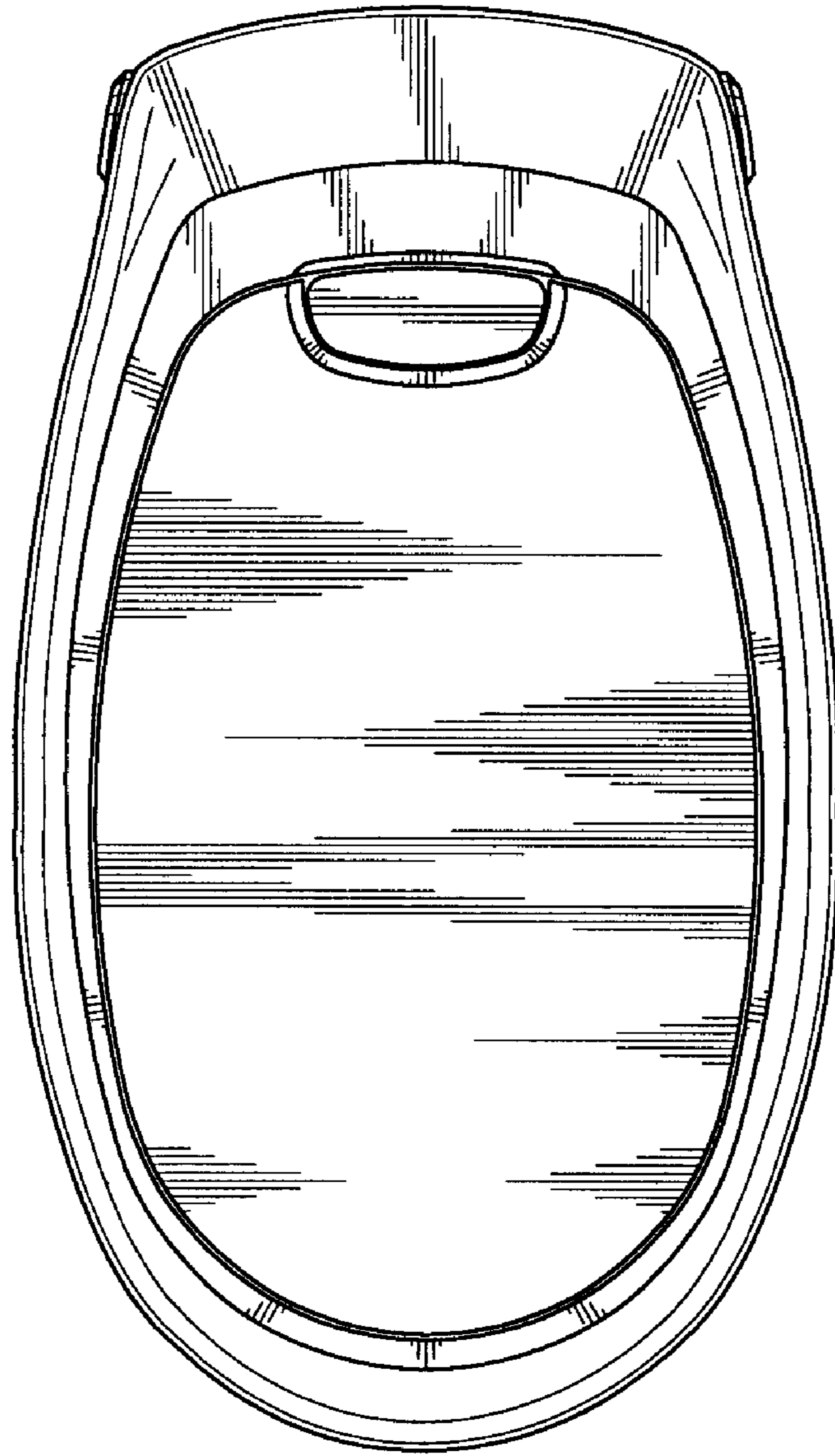


FIG. 3

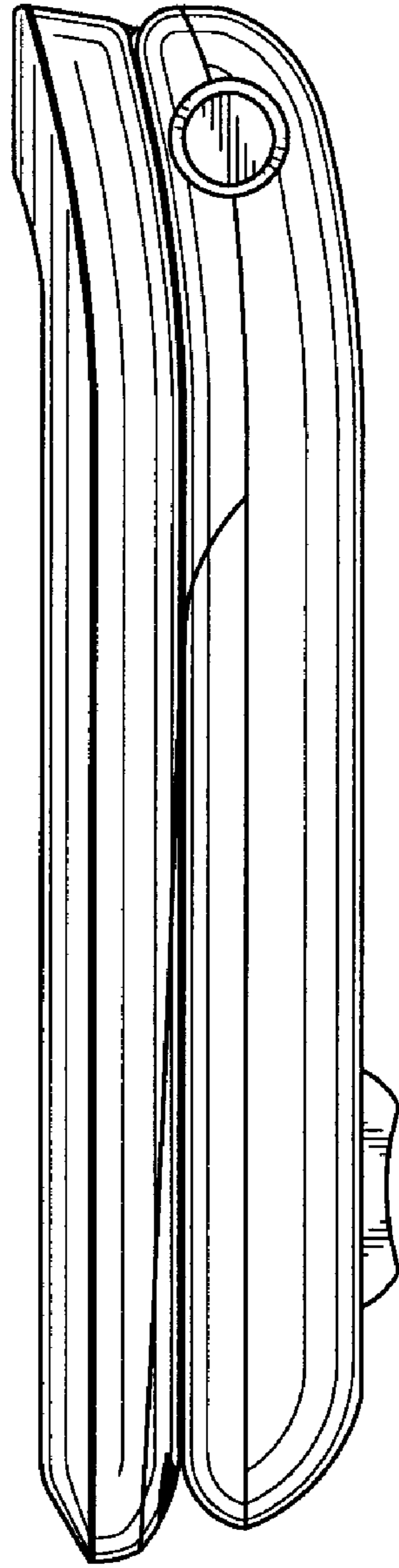


FIG. 4

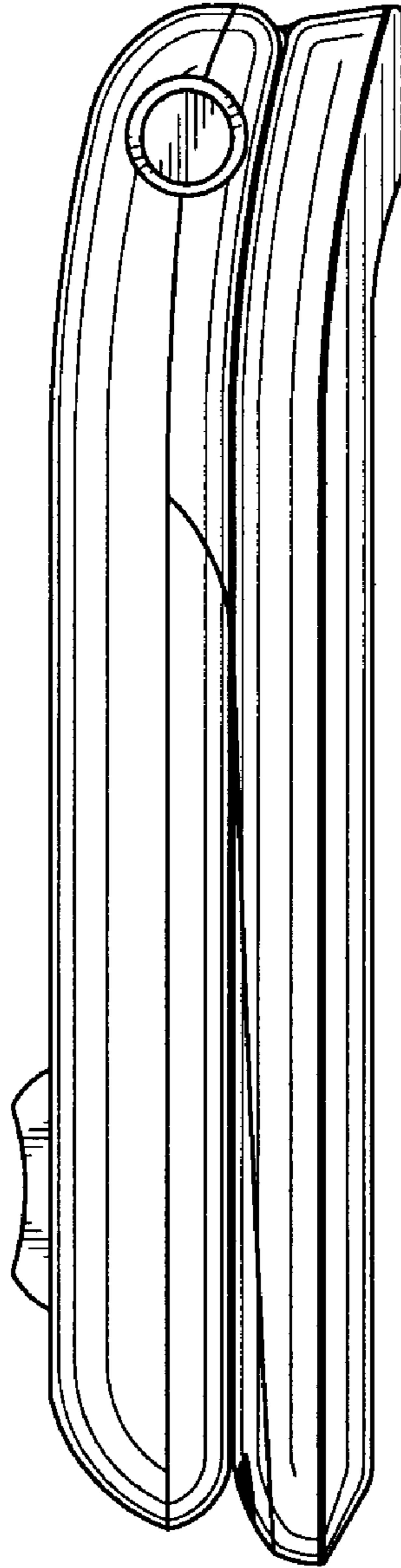


FIG. 5

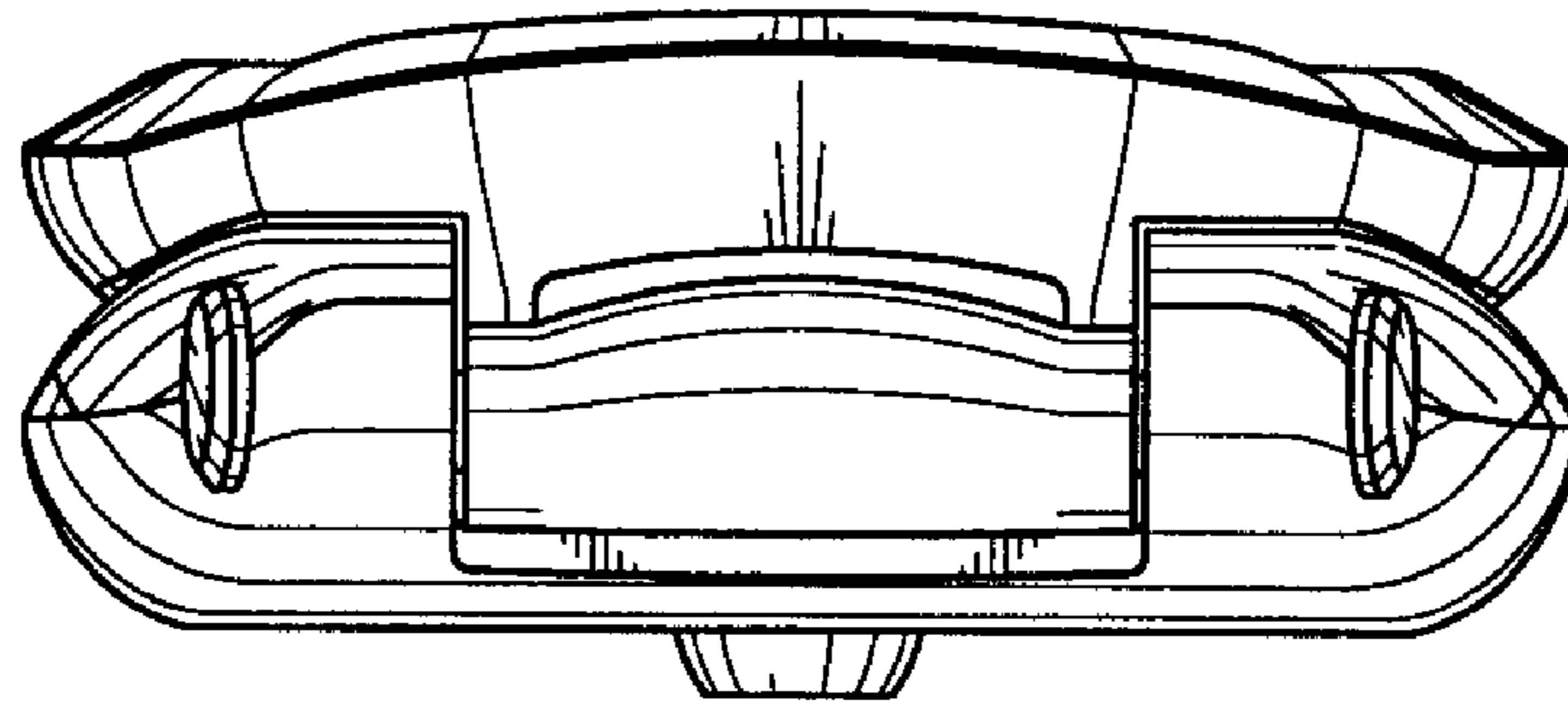


FIG. 6

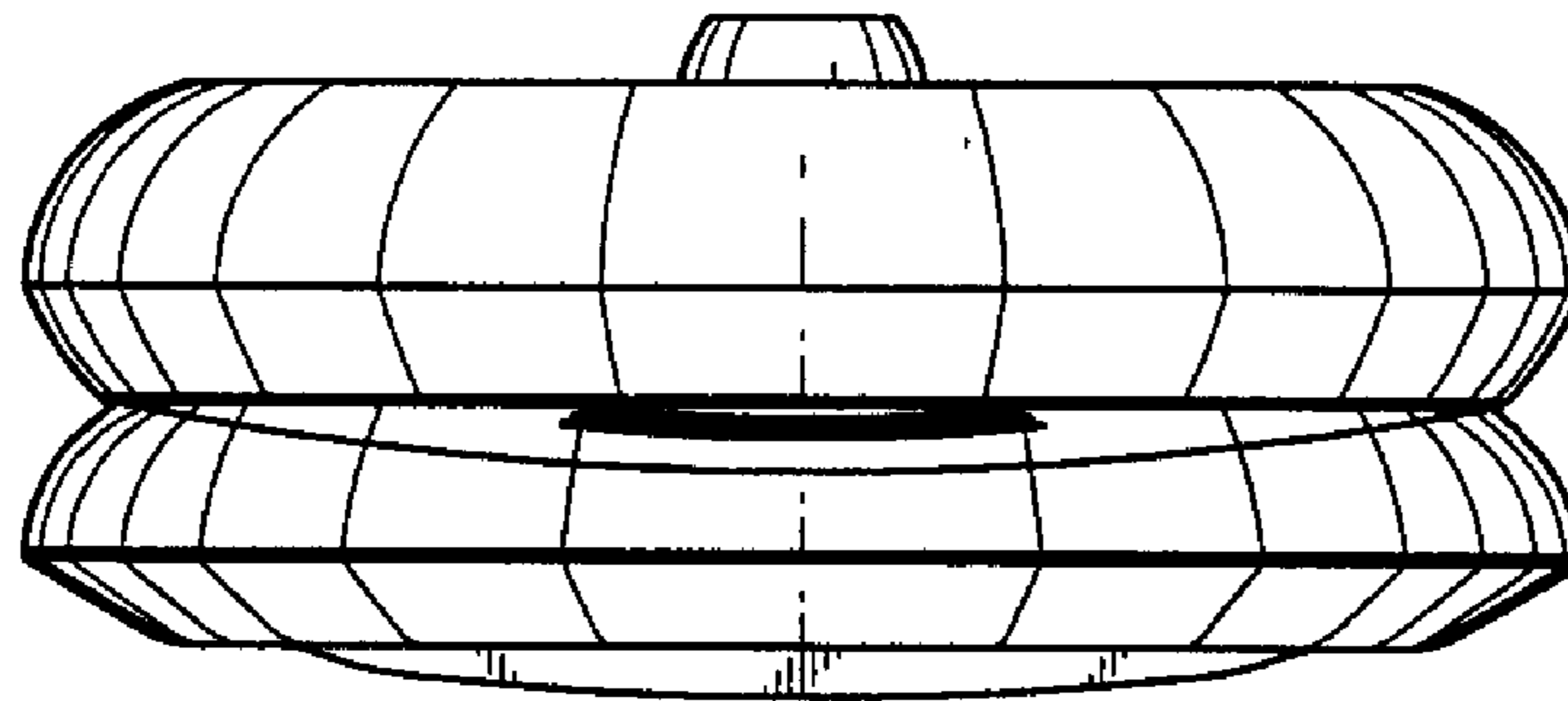


FIG. 7



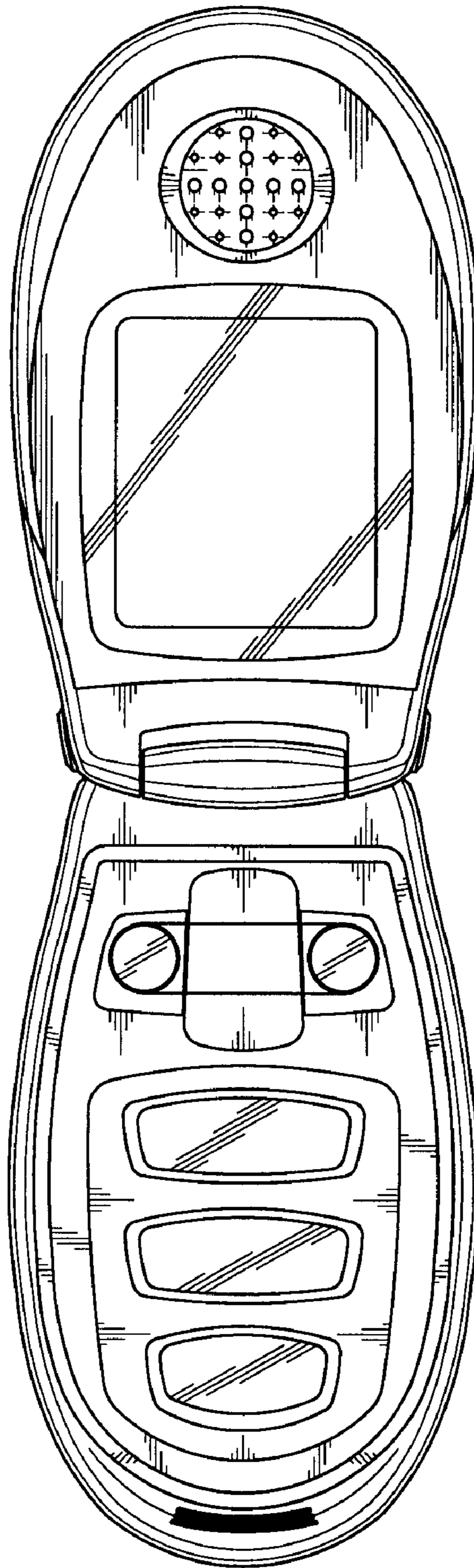


FIG. 8