



US00D535632S

(12) **United States Design Patent**  
**Peng**

(10) **Patent No.:** **US D535,632 S**

(45) **Date of Patent:** **\*\* Jan. 23, 2007**

(54) **PORTABLE DVD PLAYER WITH DISPLAY**

(75) Inventor: **Juen Tien Peng, Chung Li (TW)**

(73) Assignee: **Action Electronics Co., Ltd, Chung Li (TW)**

(\*\*) Term: **14 Years**

(21) Appl. No.: **29/230,811**

(22) Filed: **May 27, 2005**

(51) **LOC (8) Cl.** ..... **14-03**

(52) **U.S. Cl.** ..... **D14/129; D14/126**

(58) **Field of Classification Search** ..... D14/125,  
D14/129, 132, 136, 156, 374, 375; 348/180,  
348/184, 325, 838; 341/12; 345/104, 133,  
345/156, 168, 173, 87; 720/605, 669, 600,  
720/655; 369/99, 197; 455/344, 345, 346,  
455/347, 566; 368/12; D21/329

See application file for complete search history.

(56) **References Cited**

**U.S. PATENT DOCUMENTS**

D425,571 S \* 5/2000 Goto ..... D21/329

D441,736 S \* 5/2001 Yoneda ..... D14/156  
D456,371 S \* 4/2002 Lavelle et al. .... D14/132  
D478,887 S \* 8/2003 Jerome ..... D14/156  
D479,218 S \* 9/2003 Christianson ..... D14/168  
D503,932 S \* 4/2005 Bhavnani ..... D14/197  
D508,905 S \* 8/2005 Houghton et al. .... D14/156  
D517,513 S \* 3/2006 Peng ..... D14/129

\* cited by examiner

*Primary Examiner*—Philip S. Hyder

(57) **CLAIM**

I claim the ornamental design for a portable DVD player with display, as show and described.

**DESCRIPTION**

FIG. 1 is a perspective view of portable DVD player with display showing my design.

FIG. 2 is a front elevational view thereof;

FIG. 3 is a rear elevational view thereof;

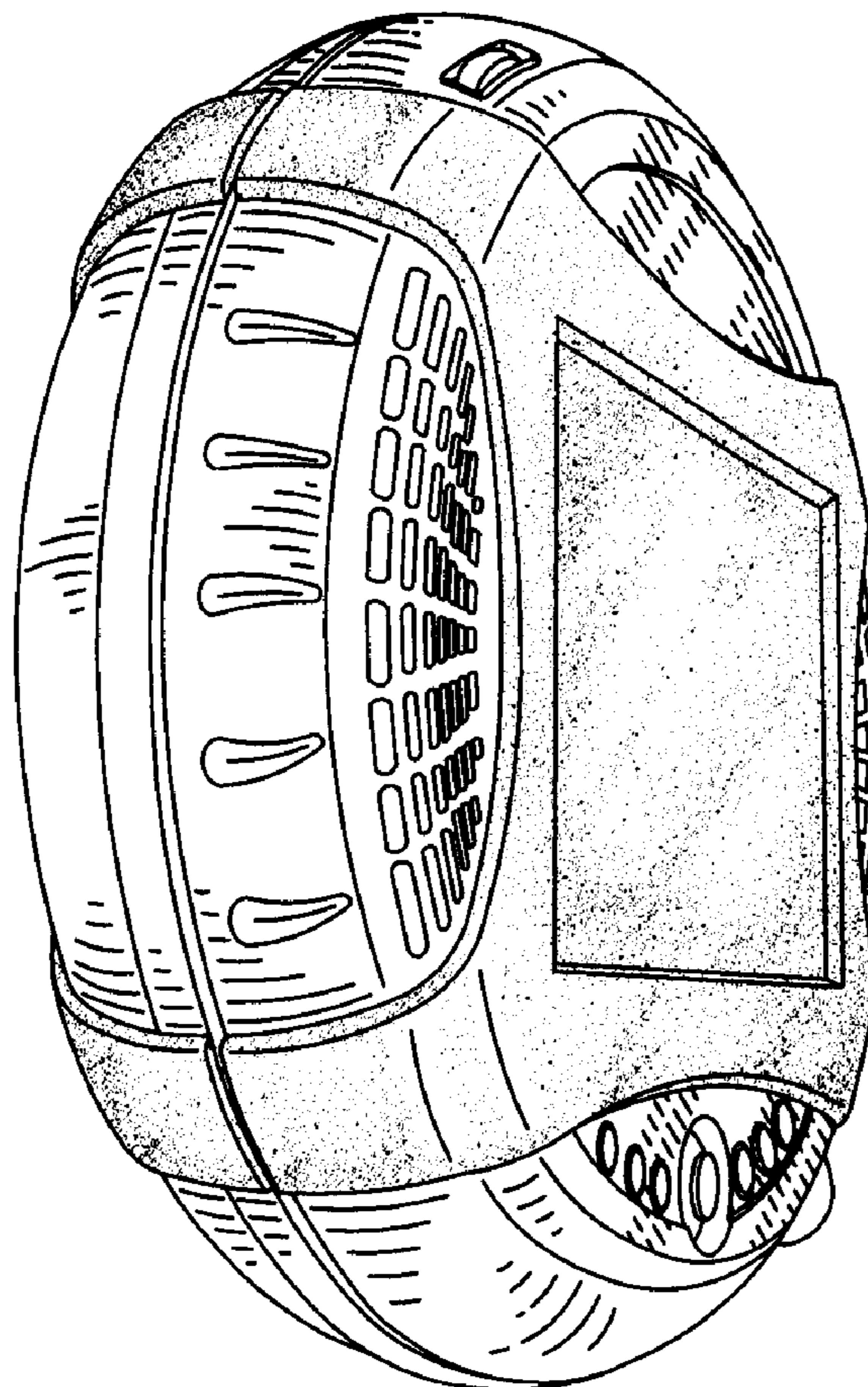
FIG. 4 is a left elevational view thereof;

FIG. 5 is a right elevational view thereof;

FIG. 6 is a top elevational view thereof; and,

FIG. 7 is a bottom elevational view thereof.

**1 Claim, 4 Drawing Sheets**



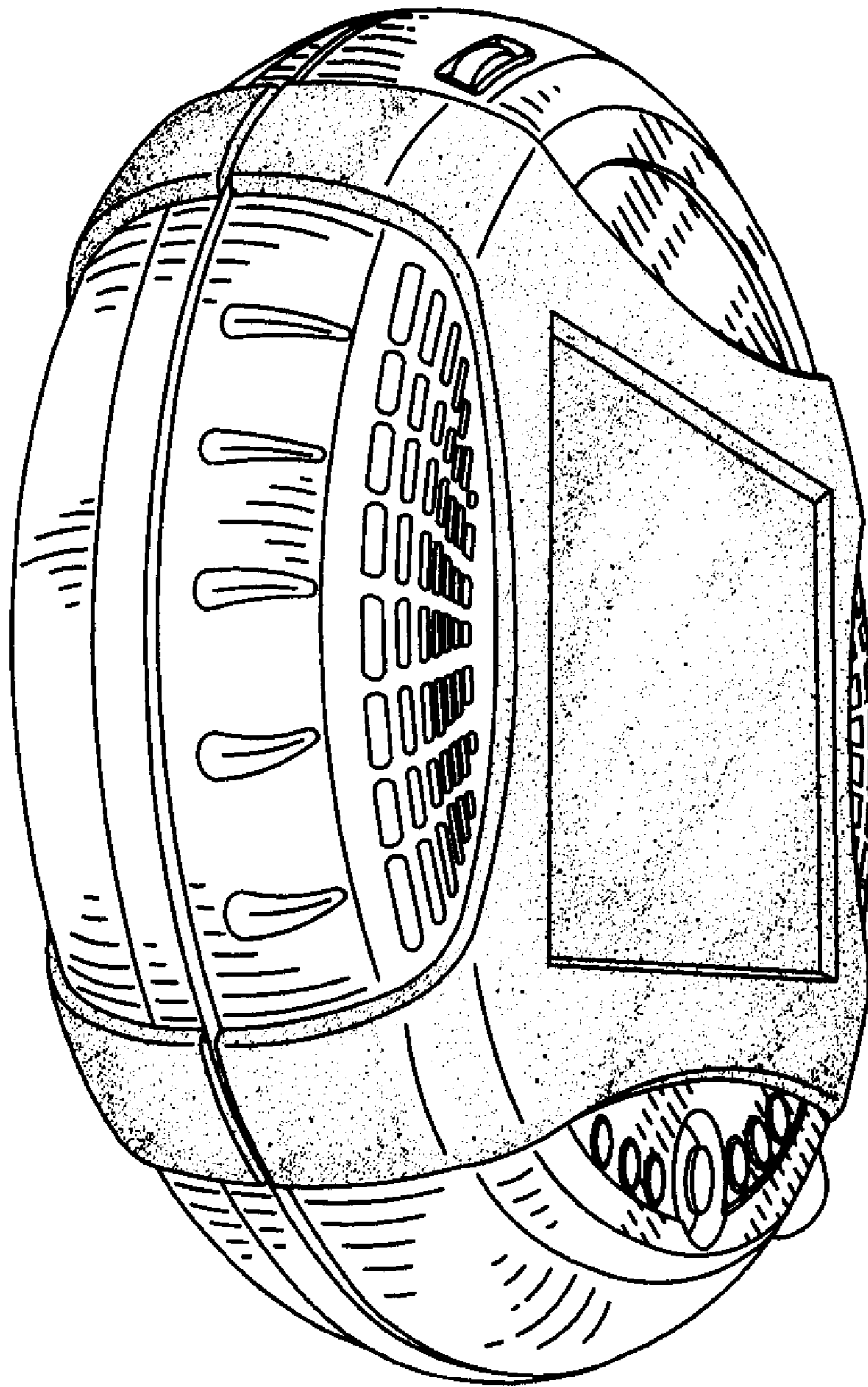


FIG. 1

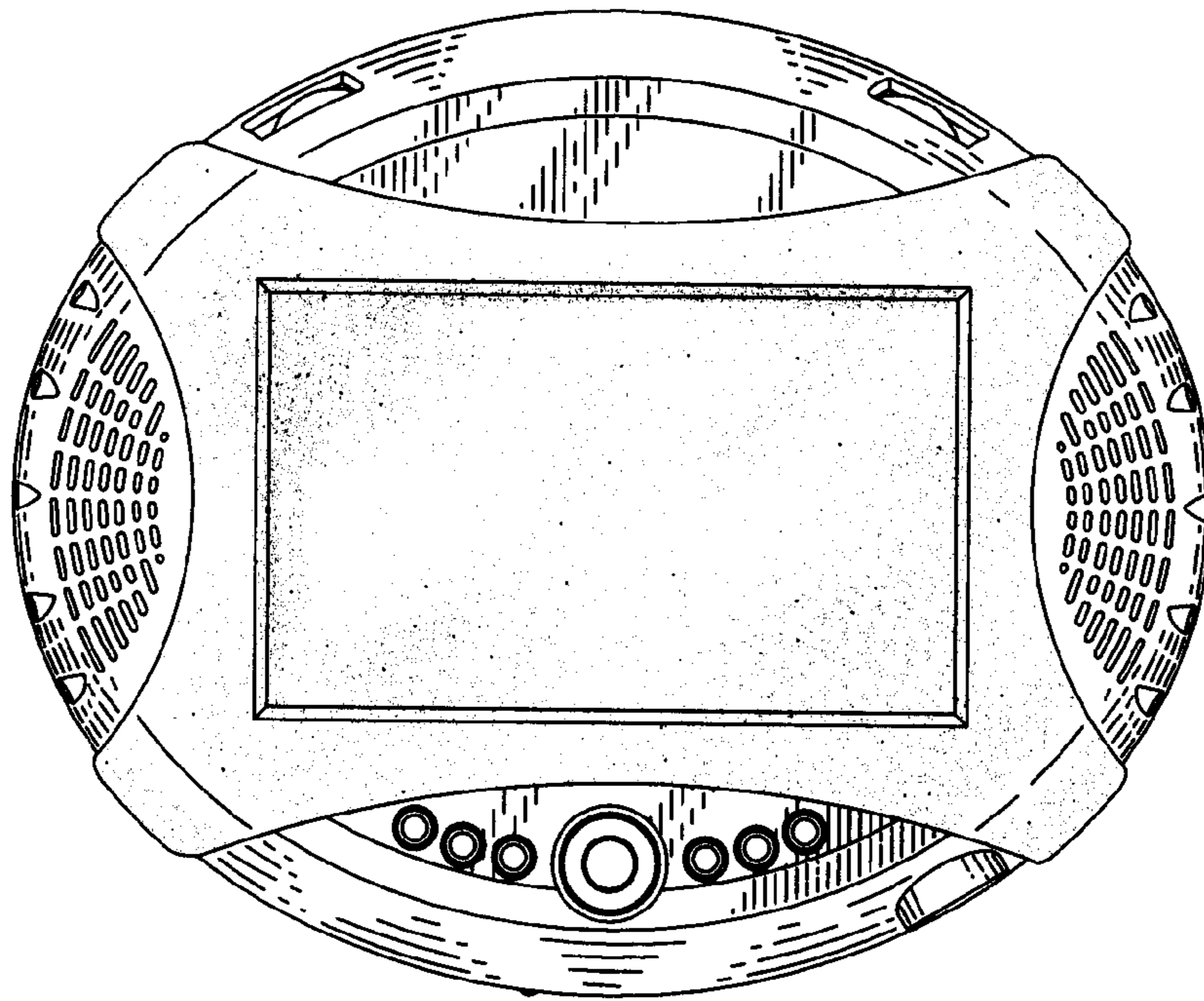


FIG. 2

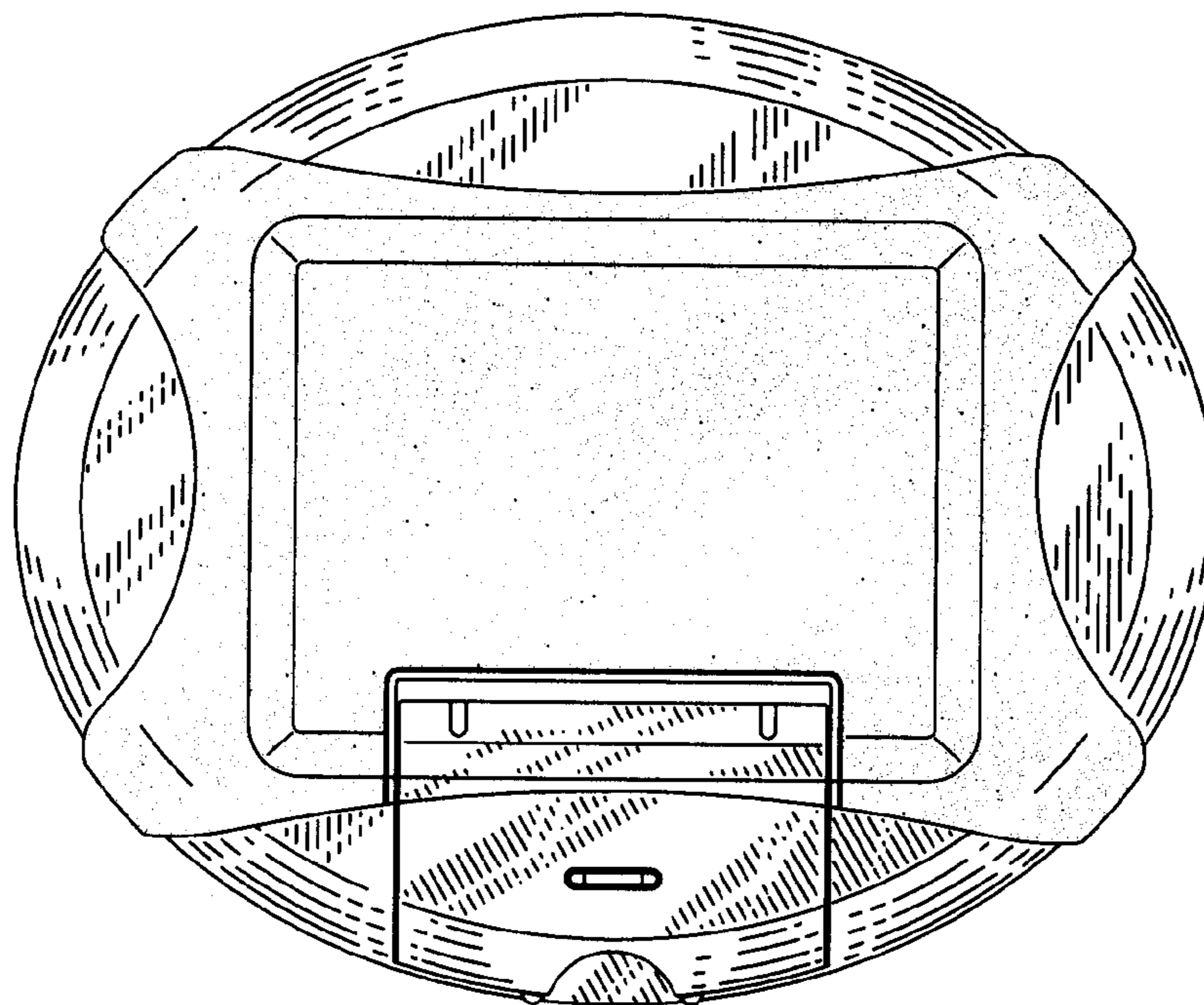


FIG. 3

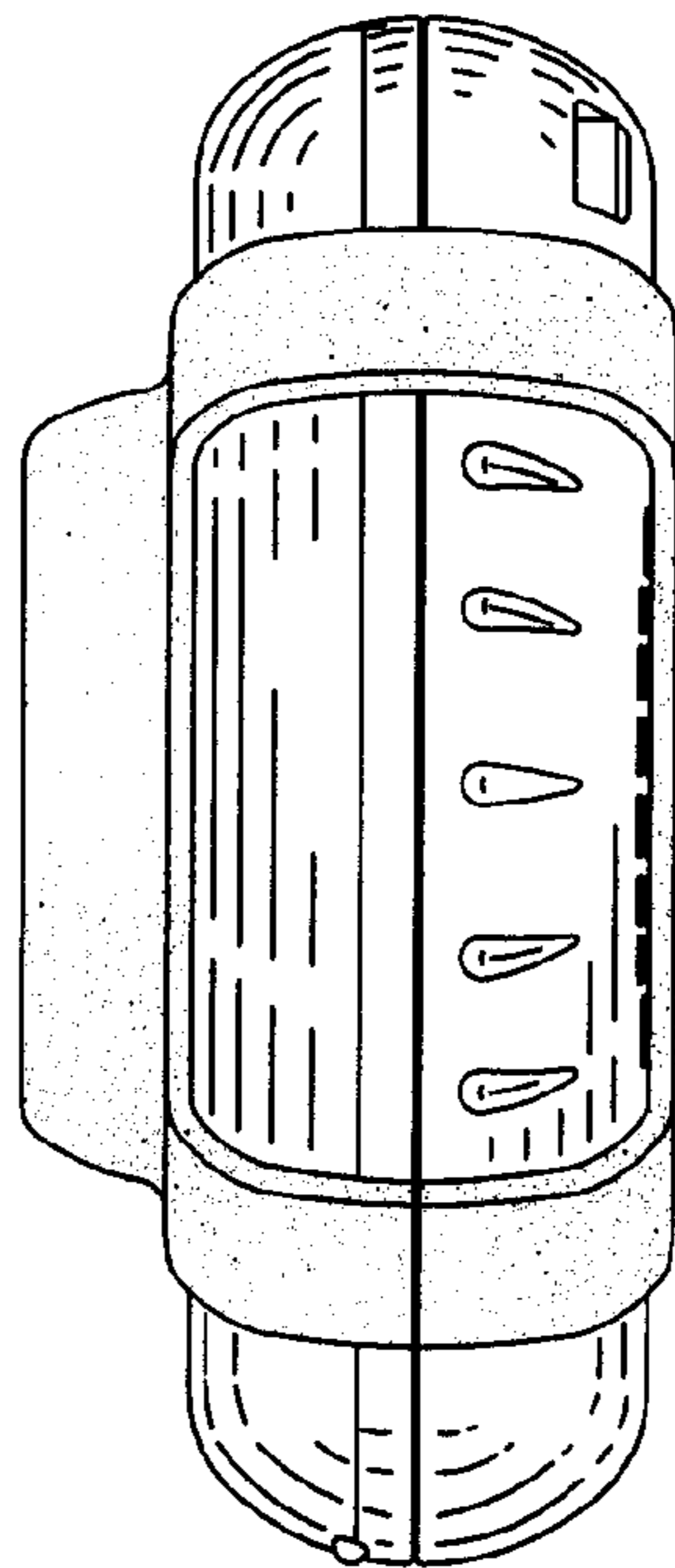


FIG. 4

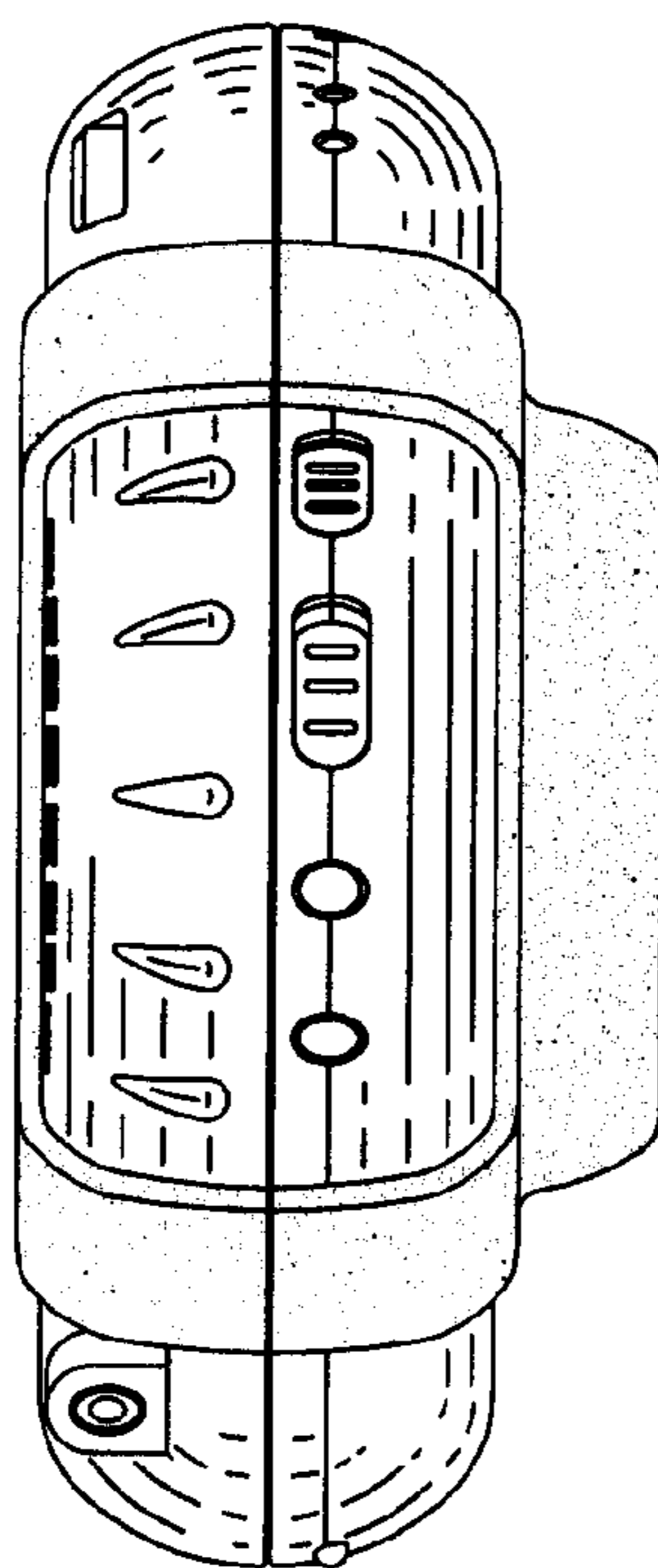


FIG. 5

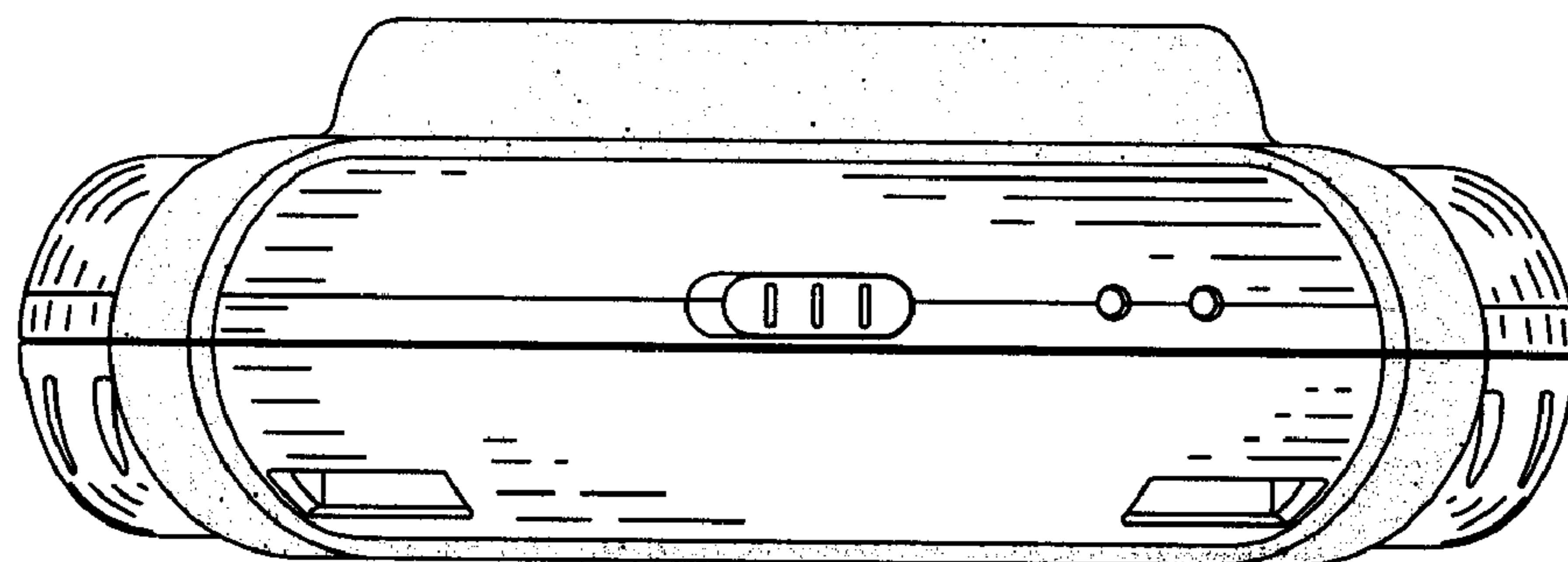


FIG. 6

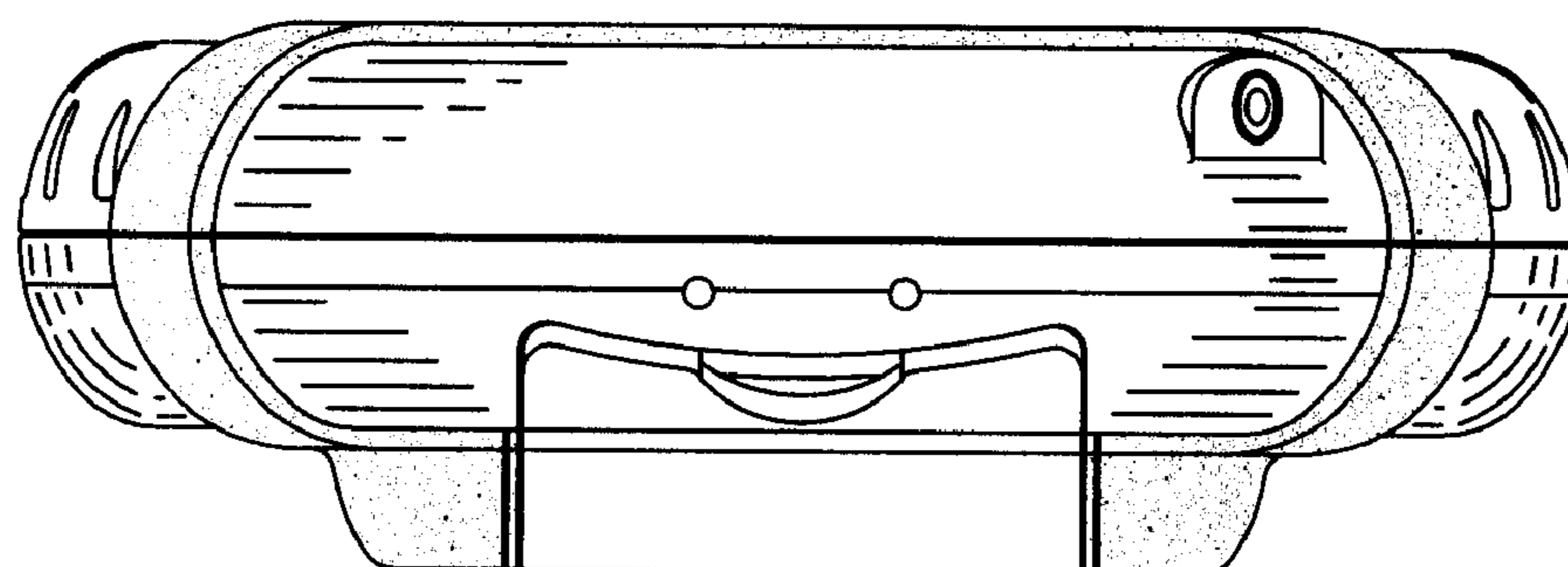


FIG. 7