



US00D535631S

(12) **United States Design Patent**
Millora

(10) **Patent No.:** **US D535,631 S**

(45) **Date of Patent:** **** Jan. 23, 2007**

(54) **PORTABLE INFORMATION TERMINAL**

(75) Inventor: **Wesley Millora**, Seoul (KR)

(73) Assignee: **Samsung Electronics Co., Ltd.**, Suwon (KR)

(**) Term: **14 Years**

(21) Appl. No.: **29/235,002**

(22) Filed: **Jul. 26, 2005**

(51) **LOC (8) Cl.** **14-03**

(52) **U.S. Cl.** **D14/126; D14/341**

(58) **Field of Classification Search** D14/125-135,
D14/239, 379, 371, 374, 375, 376, 113; D13/151,
D13/153; 312/7.2; 348/836, 838, 180, 184,
348/325, 739; 341/12; 248/917-924; 345/104,
345/133, 156, 168, 87, 173; 349/1, 2, 11,
349/62

See application file for complete search history.

(56) **References Cited**

U.S. PATENT DOCUMENTS

D341,823 S	*	11/1993	Sakai	D14/341
D387,737 S	*	12/1997	Mizusugi et al.	D14/346
D438,849 S	*	3/2001	Adachi et al.	D14/126
D453,333 S	*	2/2002	Chen	D14/374
D458,602 S	*	6/2002	Hasegawa et al.	D14/374
D488,483 S	*	4/2004	Hu	D14/496
D491,152 S	*	6/2004	Christianson	D14/126

D491,180 S	*	6/2004	Hsu Li	D14/371
D494,188 S	*	8/2004	Huang	D14/496
D499,423 S	*	12/2004	Bahroocha et al.	D14/496
D508,693 S	*	8/2005	Morisawa	D14/336
D509,827 S	*	9/2005	Johnson	D14/374

OTHER PUBLICATIONS

U.S. Appl. No. 29/235,005, Applicant: Byung-Soo Kim, filed Jul. 26, 2005 entitled Portable Information Terminal.

* cited by examiner

Primary Examiner—Raphael Barkai

Assistant Examiner—Randall H. Gholson

(74) *Attorney, Agent, or Firm*—Flynn, Thiel, Boutell & Tanis, P.C.

(57) **CLAIM**

The ornamental design for a portable information terminal, as shown and described.

DESCRIPTION

FIG. 1. is a top front perspective view of a portable information terminal showing my new design.

FIG. 2. is a front elevational view thereof.

FIG. 3. is a rear elevational view thereof.

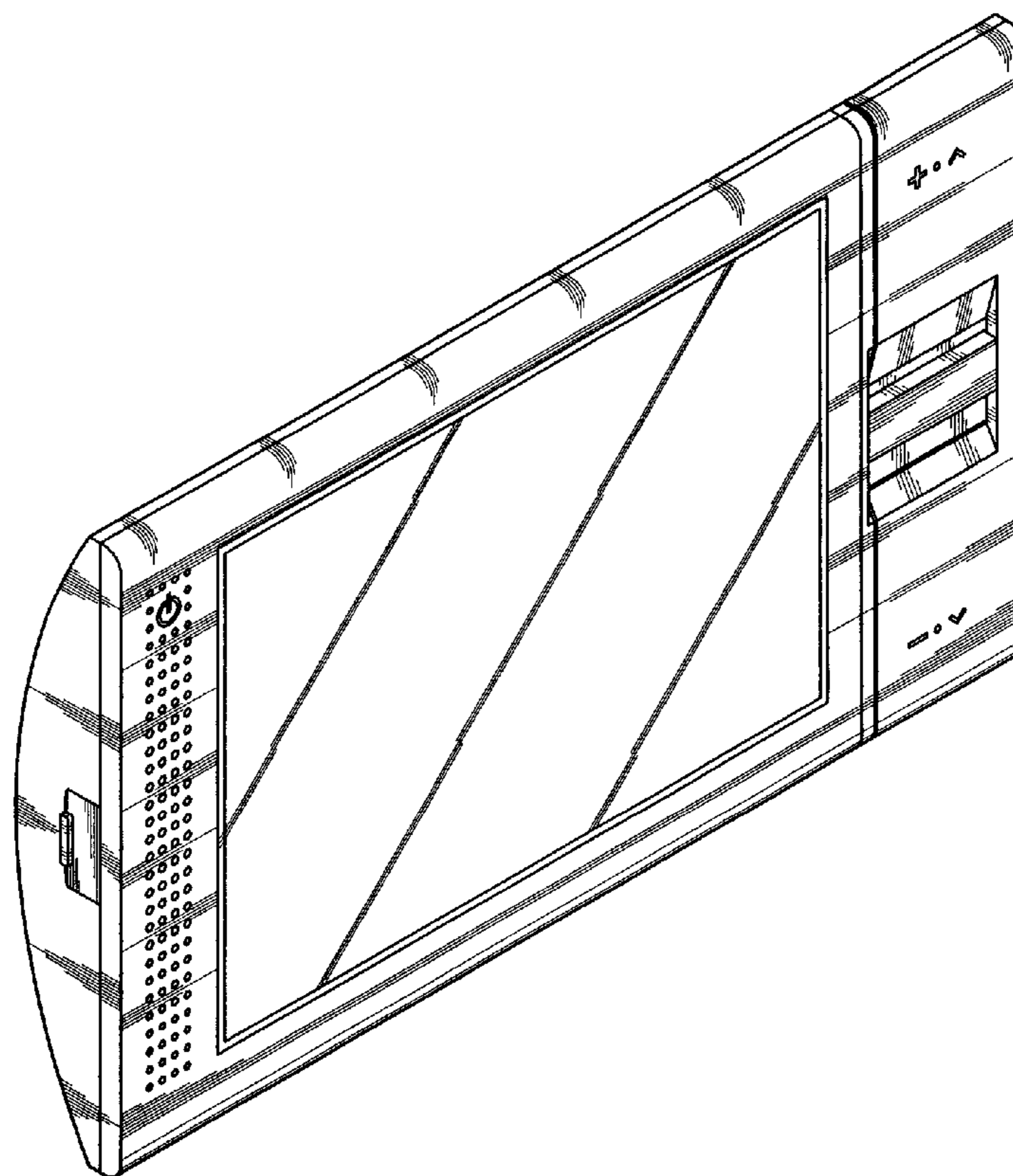
FIG. 4. is a left side elevational view thereof.

FIG. 5. is a right side elevational view thereof.

FIG. 6. is a top plan view thereof; and,

FIG. 7. is a bottom plan view thereof.

1 Claim, 4 Drawing Sheets



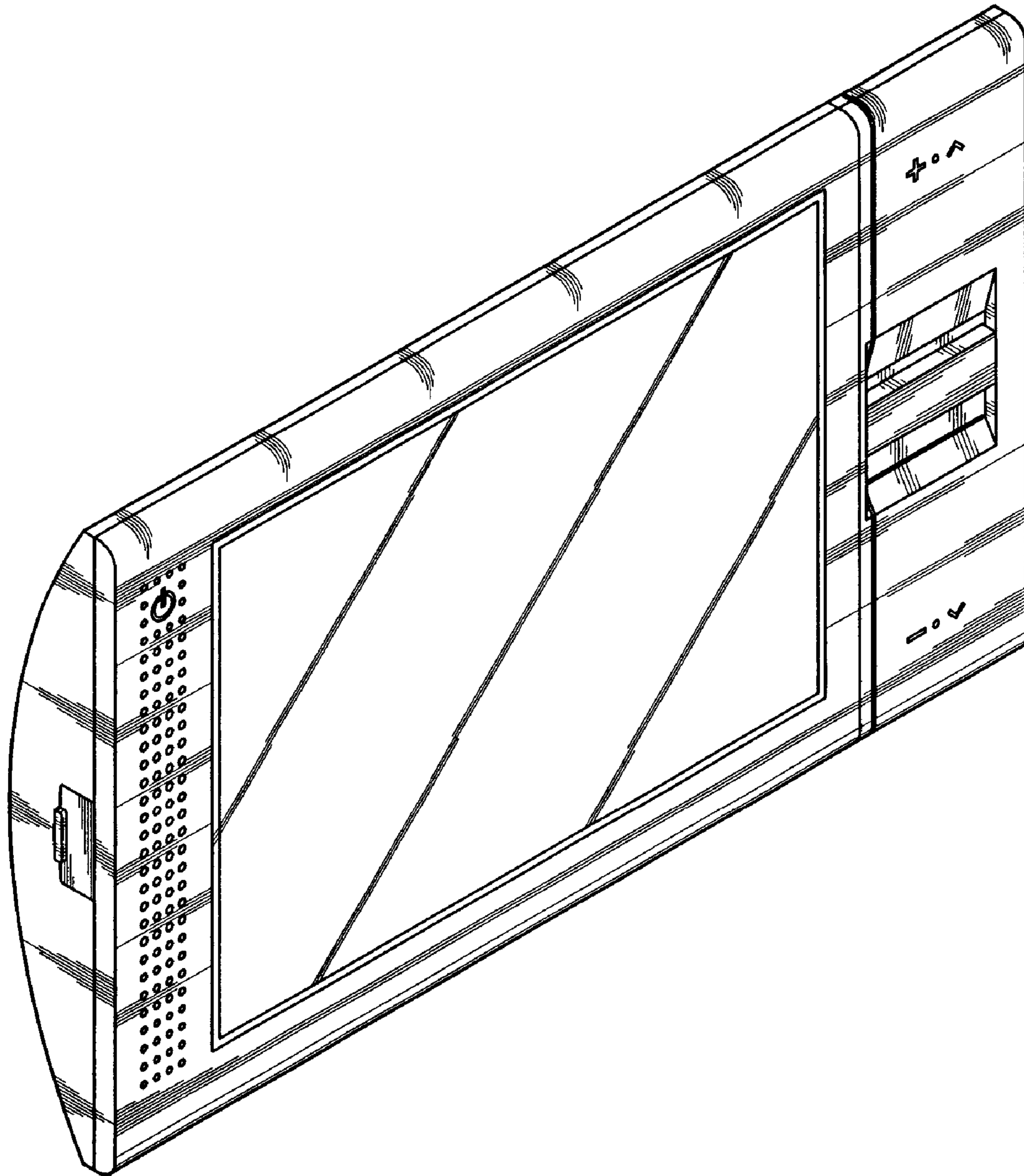


FIG. 1

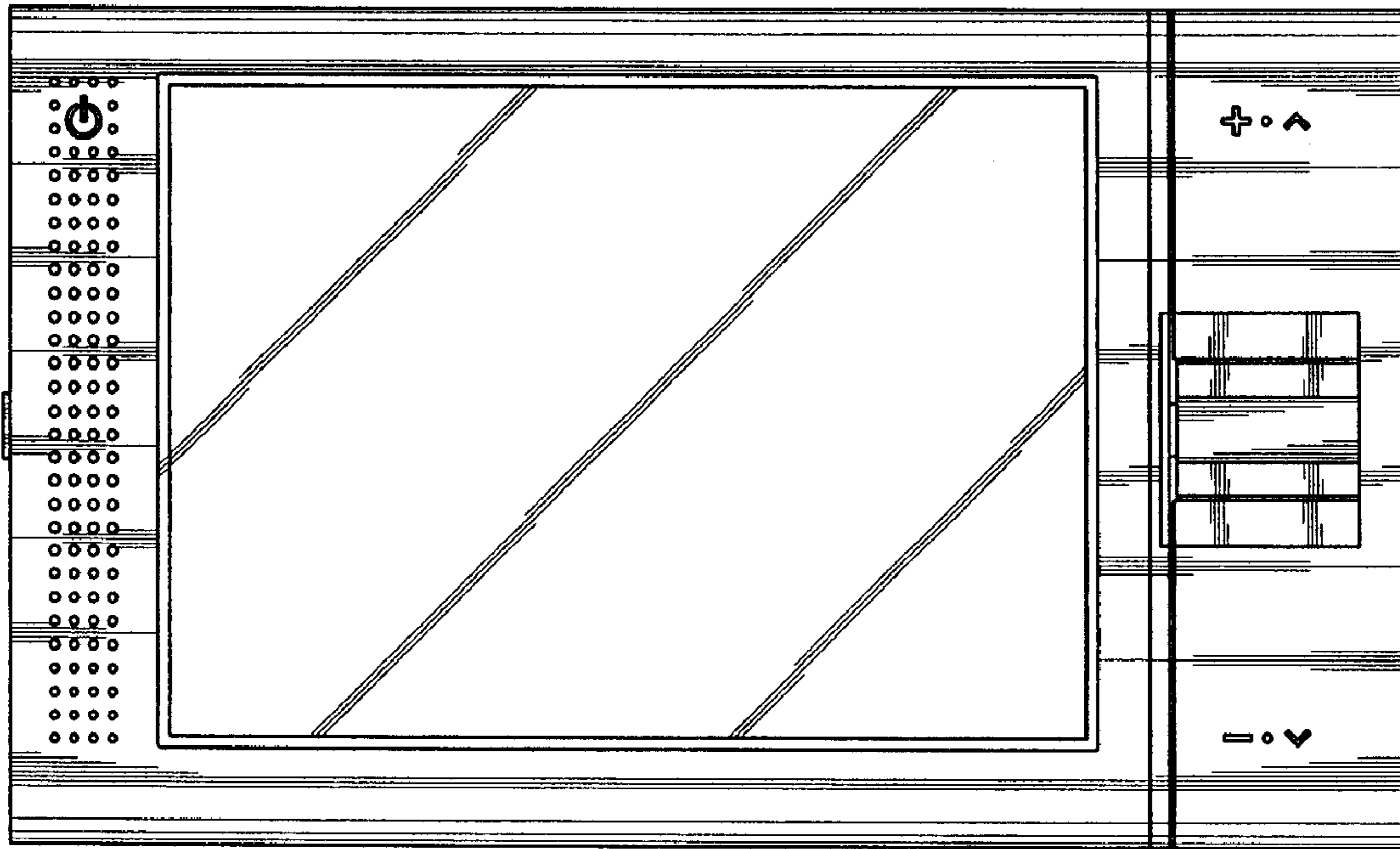


FIG. 2

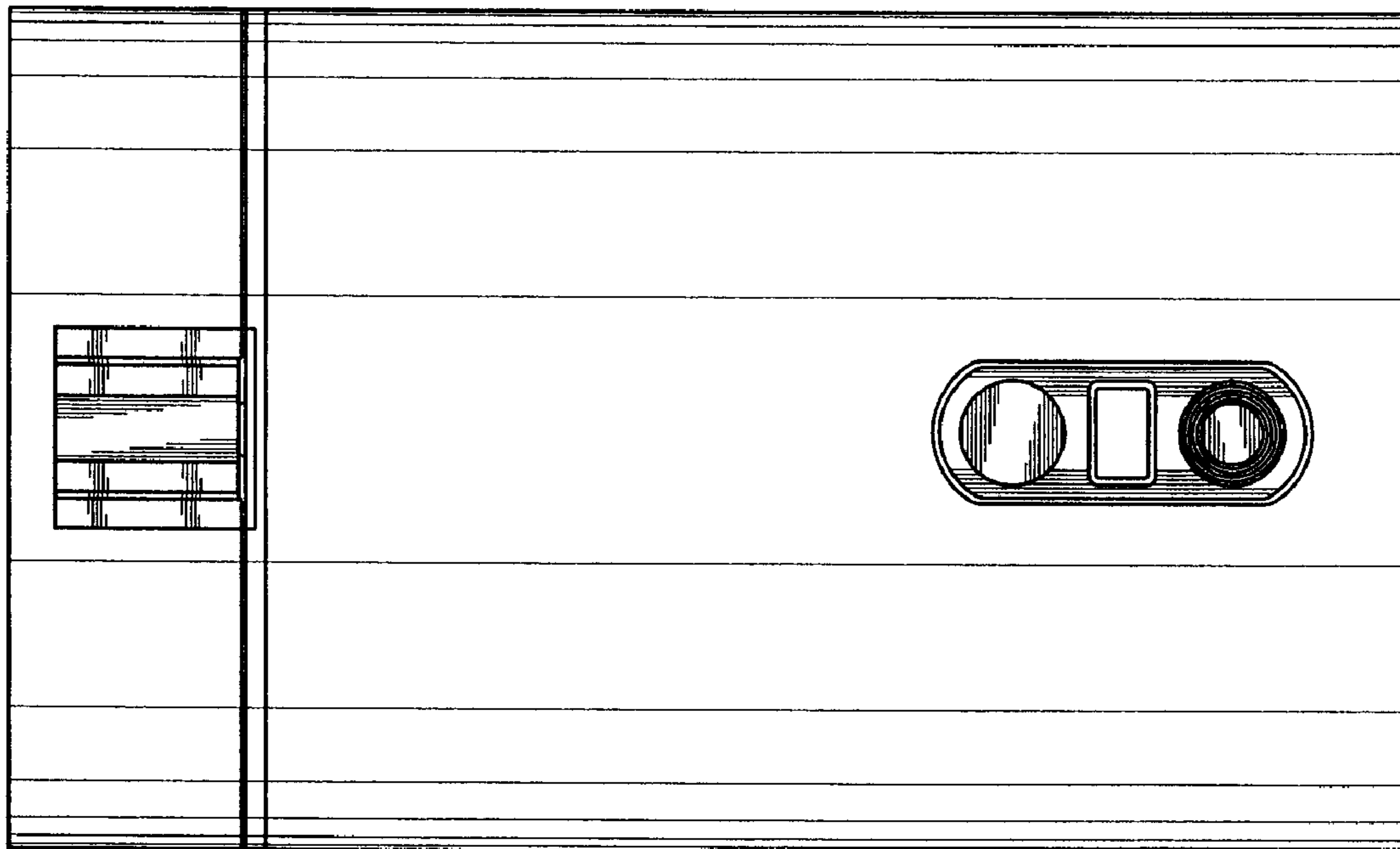


FIG. 3

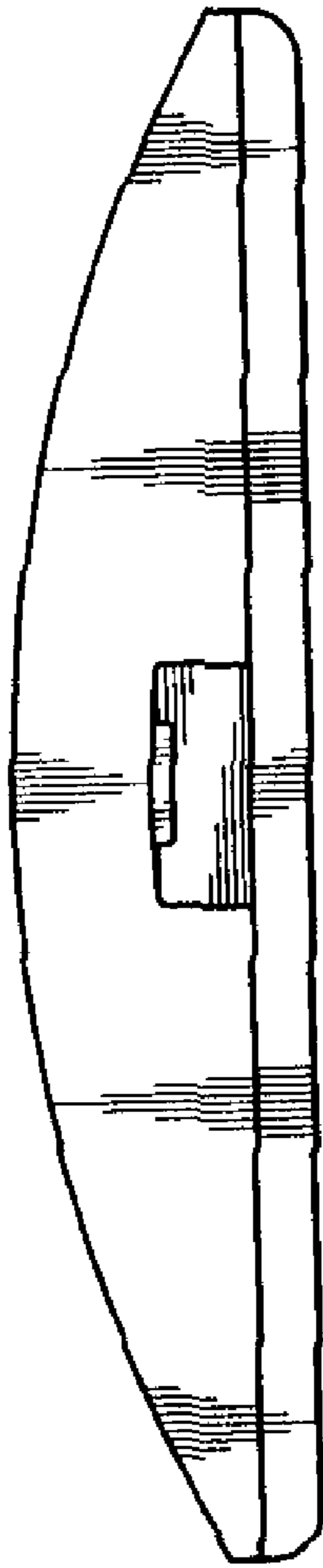


FIG. 4

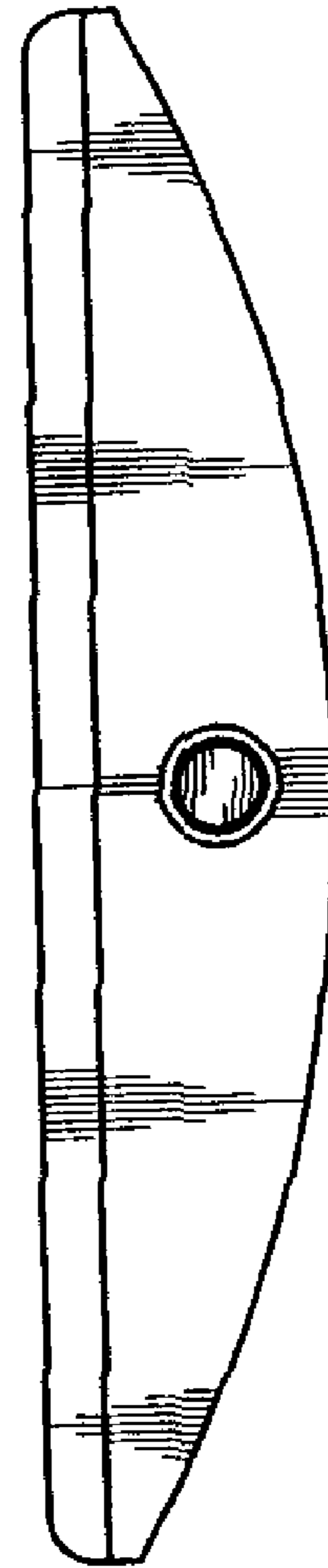


FIG. 5

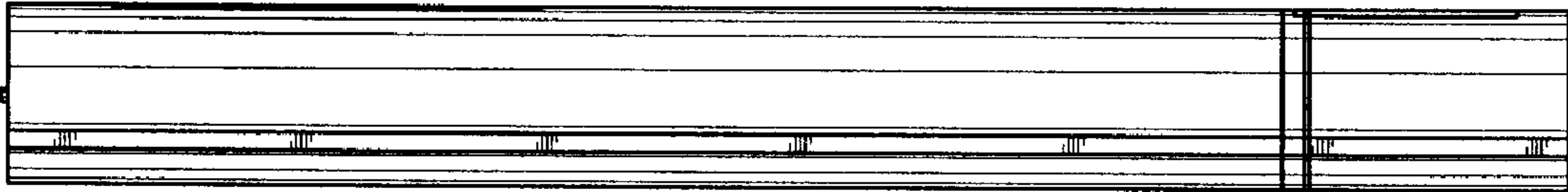


FIG. 6

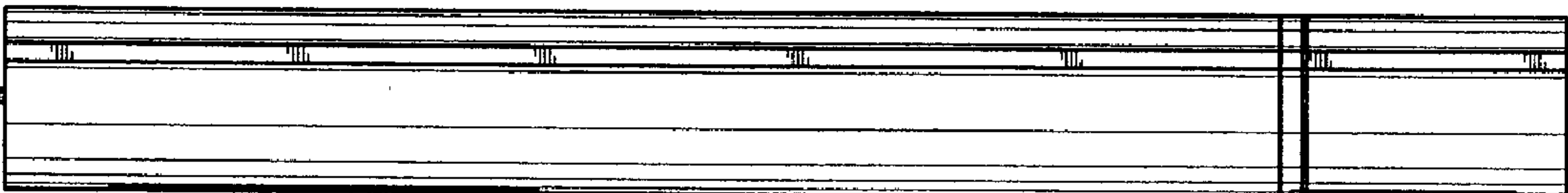


FIG. 7