



US00D535629S

(12) **United States Design Patent**
Kalous et al.

(10) **Patent No.:** **US D535,629 S**
(45) **Date of Patent:** **** Jan. 23, 2007**

(54) **CIRCUIT BREAKER LOCKOUT DEVICE**

2003/0154751 A1 * 8/2003 Turek 70/203

(75) Inventors: **Scott Kalous**, Libertyville, IL (US);
Mike Brojanac, Jackson, WI (US)

* cited by examiner

Primary Examiner—Selina Sikder

(73) Assignee: **Master Lock Company**, Oak Creek,
WI (US)

(74) *Attorney, Agent, or Firm*—Calfee, Halter & Griswold
LLP

(**) Term: **14 Years**

(57) **CLAIM**

The ornamental design for a circuit breaker lockout device,
as shown and described.

(21) Appl. No.: **29/226,423**

(22) Filed: **Mar. 29, 2005**

DESCRIPTION

(51) **LOC (8) Cl.** **13-03**

FIG. 1 is a perspective view of the circuit breaker lockout
device of the present invention;

(52) **U.S. Cl.** **D13/178**

FIG. 2 is a front view of the circuit breaker lockout device
shown in FIG. 1;

(58) **Field of Classification Search** D13/178,

D13/160; 70/203; 200/43.01, 43.11, 43.14,

200/43.15, 43.16, 43.19, 43.21; 361/72

See application file for complete search history.

FIG. 3 is a back view of the circuit breaker lockout device
shown in FIG. 1;

FIG. 4 is a bottom view of the circuit breaker lockout device
shown in FIG. 1,

FIG. 5 is a top view of the circuit breaker lockout device
shown in FIG. 1;

FIG. 6 is a side view of the circuit breaker lockout device
shown in FIG. 1; and,

FIG. 7 is a side view of the circuit breaker lockout device
shown in FIG. 1.

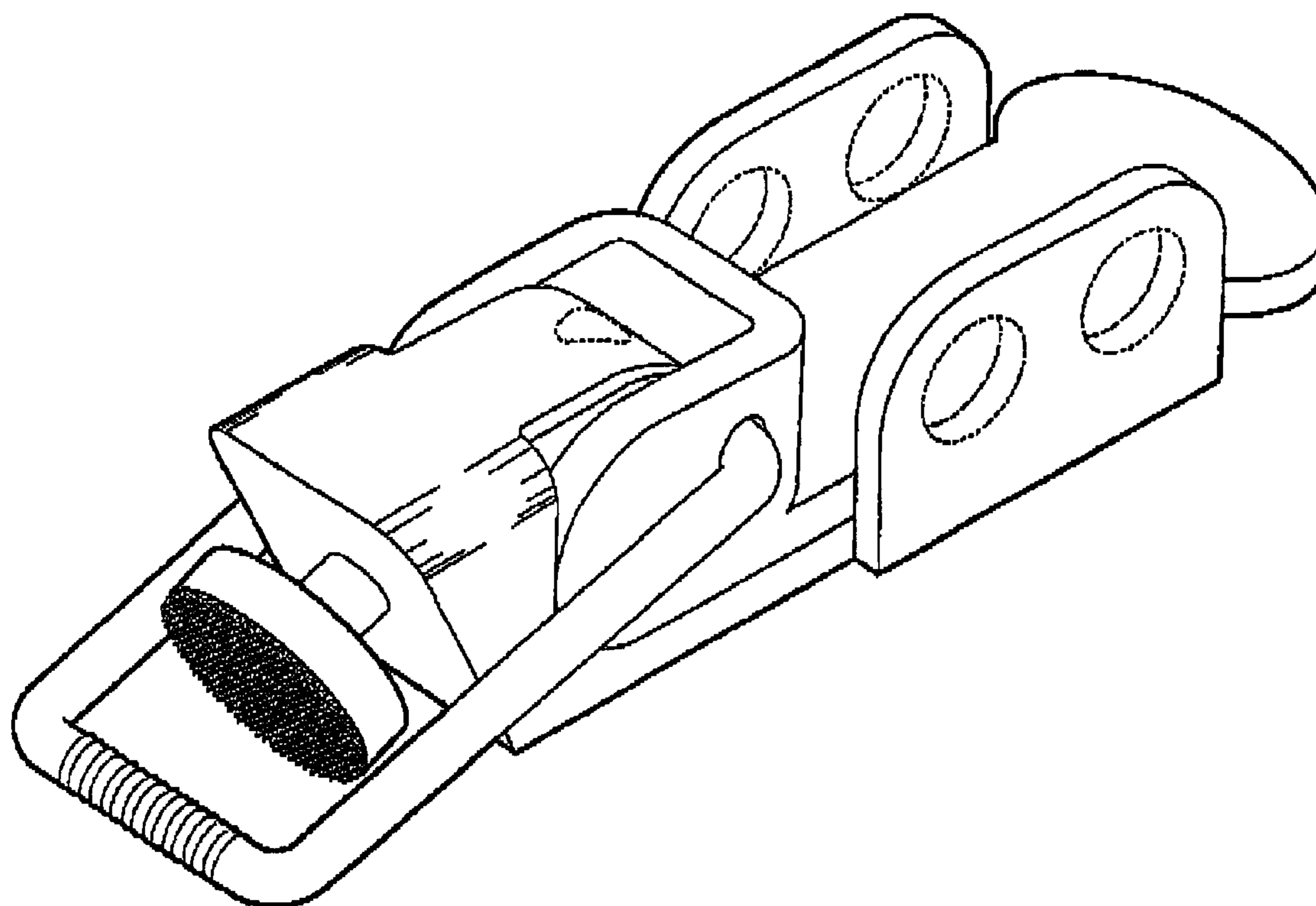
The portions of the Figures shown in phantom lines are not
part of the claimed design but are for illustration only.

(56) **References Cited**

U.S. PATENT DOCUMENTS

| | | | | | | |
|-----------|----|---|---------|-------------------|-------|-----------|
| 4,260,861 | A | * | 4/1981 | DiMarco | | 200/43.15 |
| 5,181,602 | A | * | 1/1993 | Kozlowski et al. | | 200/43.15 |
| D365,547 | S | * | 12/1995 | Steinwachs et al. | | D13/178 |
| 5,500,495 | A | | 3/1996 | Benda et al. | | |
| 5,732,815 | A | | 3/1998 | Brouwer | | |
| 6,015,956 | A | * | 1/2000 | Green | | 200/43.14 |
| 6,365,851 | B1 | * | 4/2002 | Gaspar | | 200/43.14 |
| 6,617,532 | B1 | | 9/2003 | Turek | | |

1 Claim, 3 Drawing Sheets



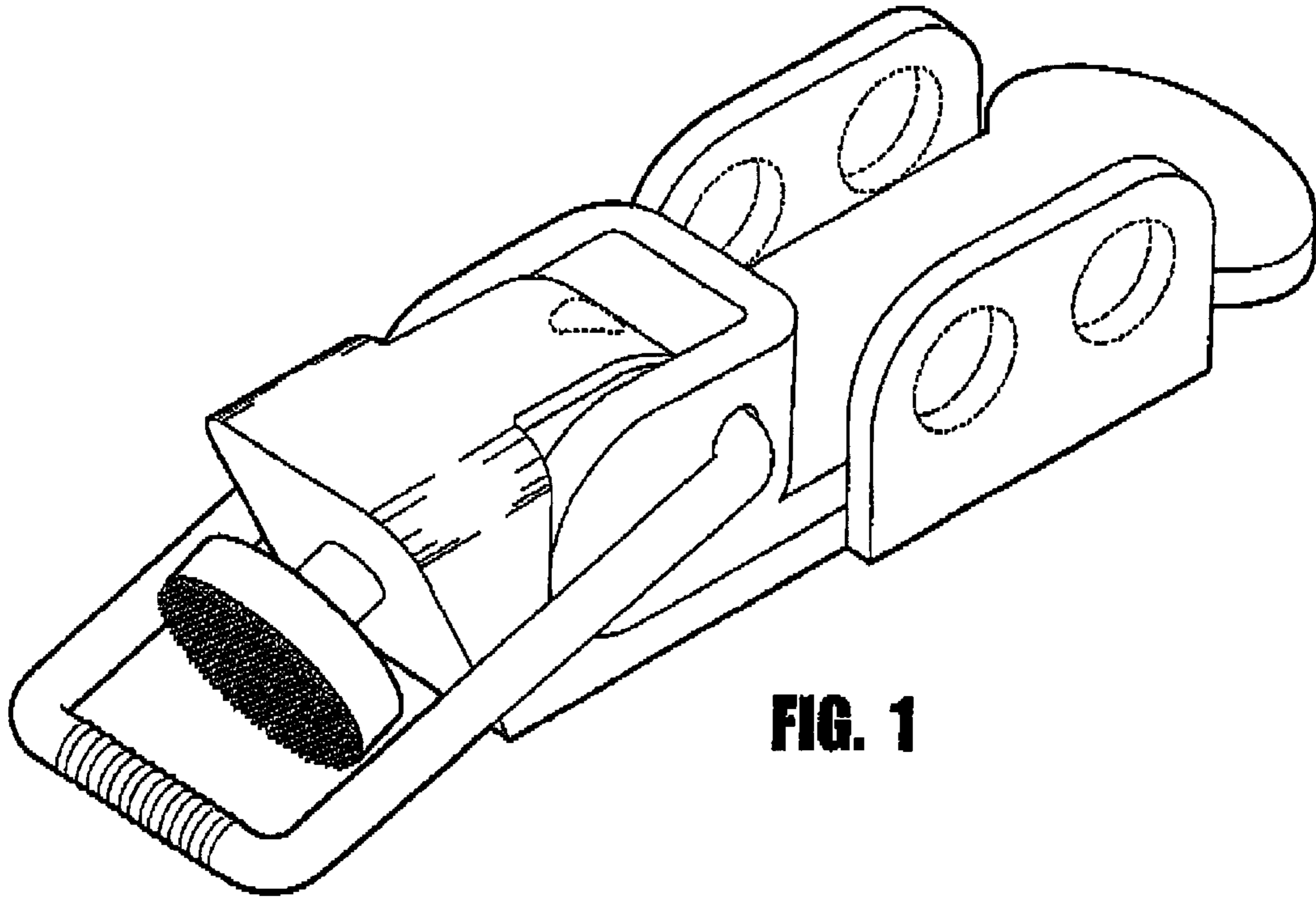


FIG. 1

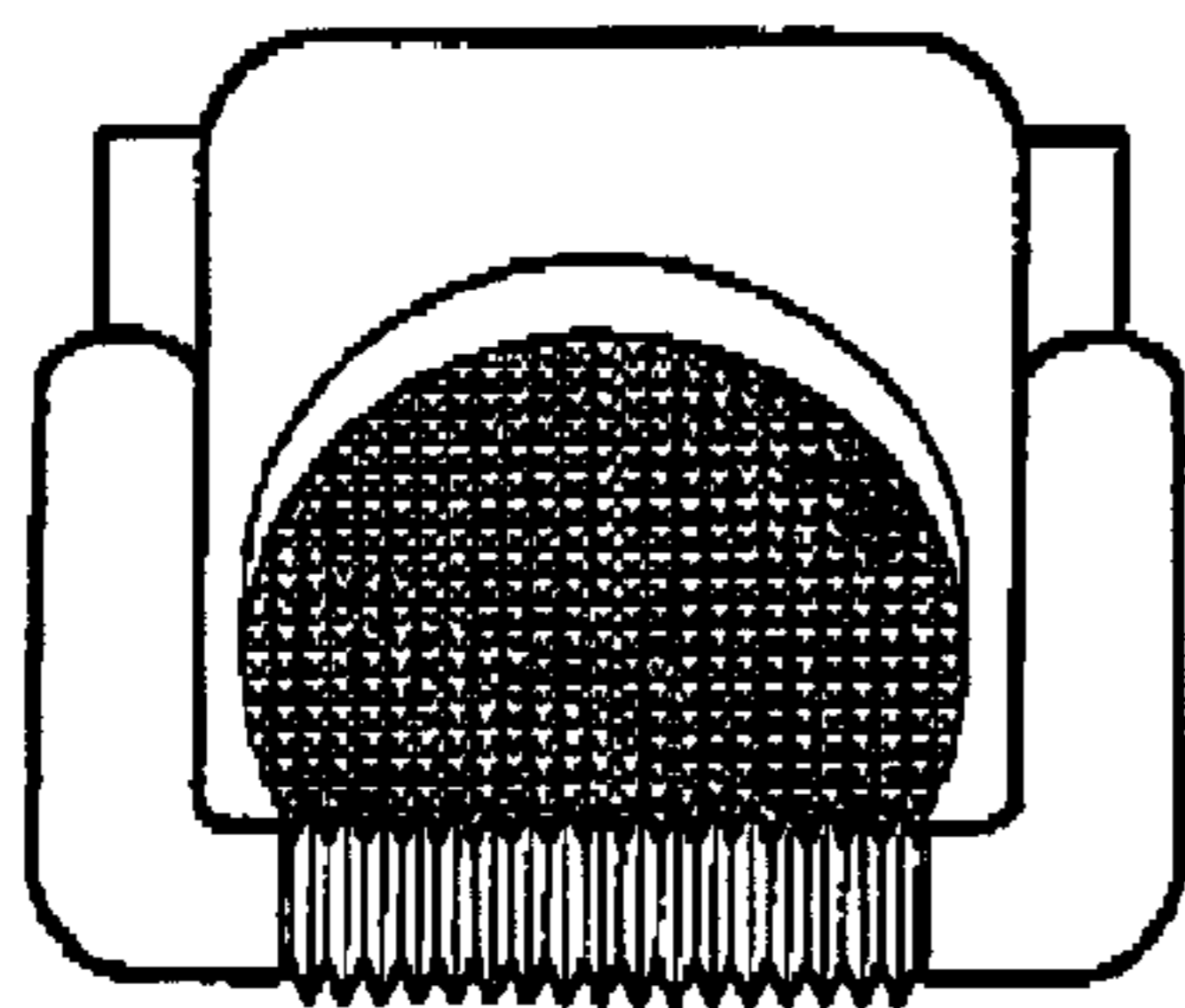


FIG. 2

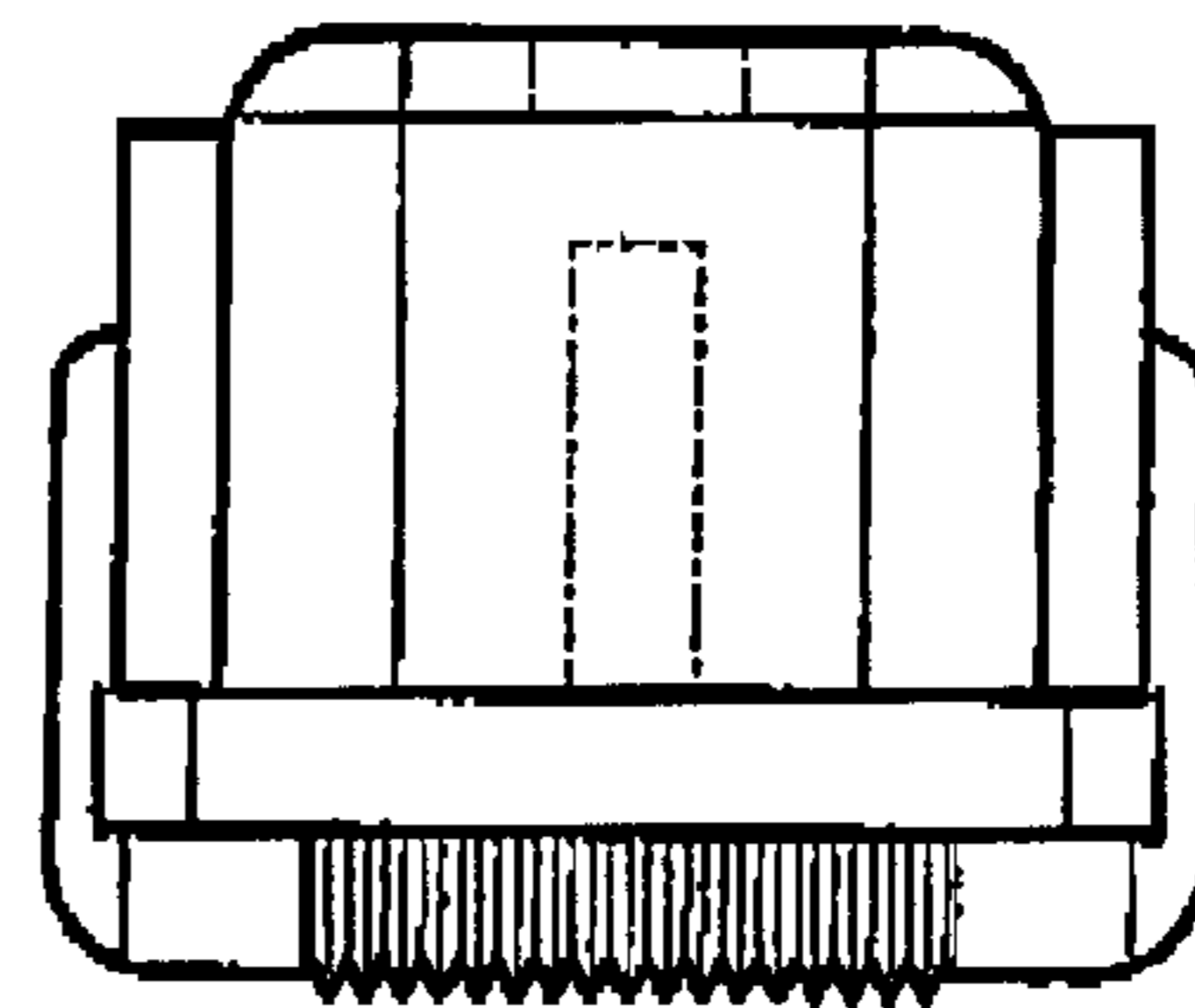


FIG. 3

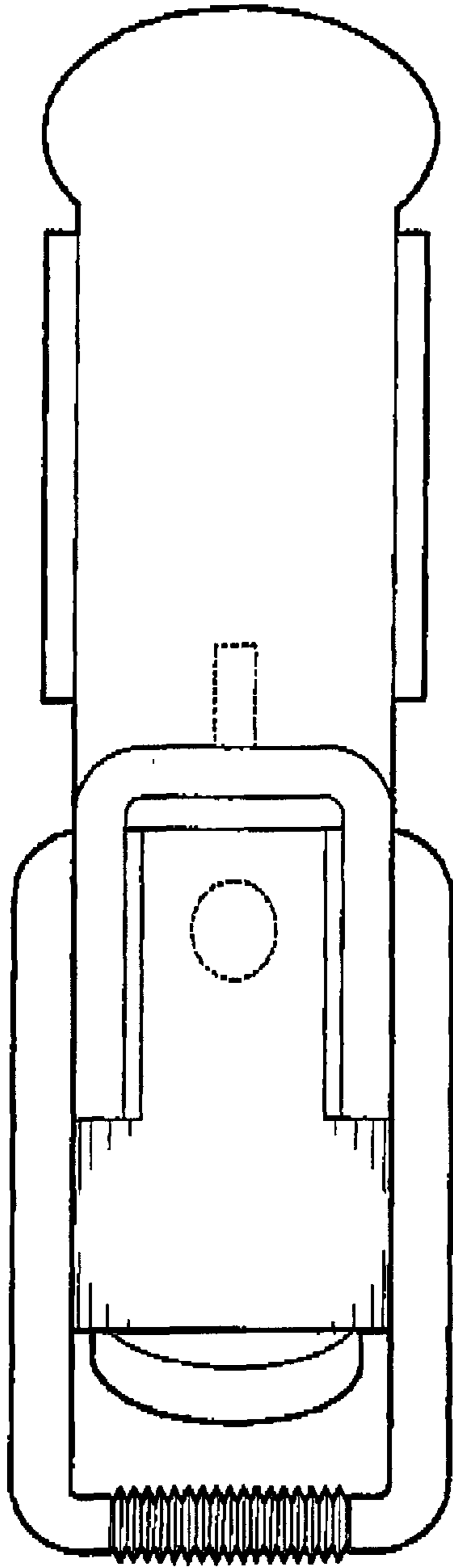


FIG. 4

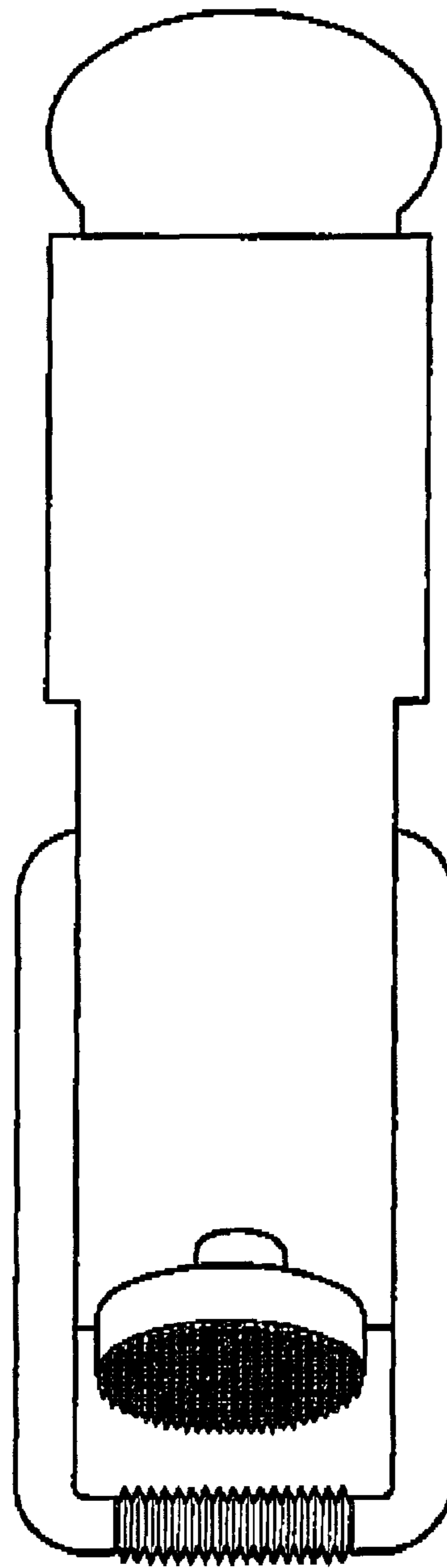


FIG. 5

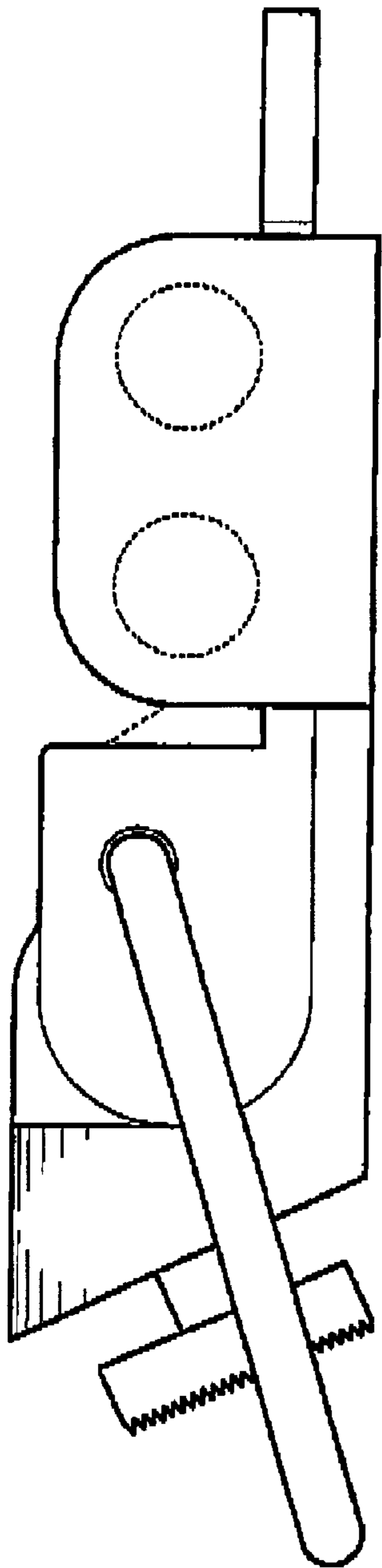


FIG. 6

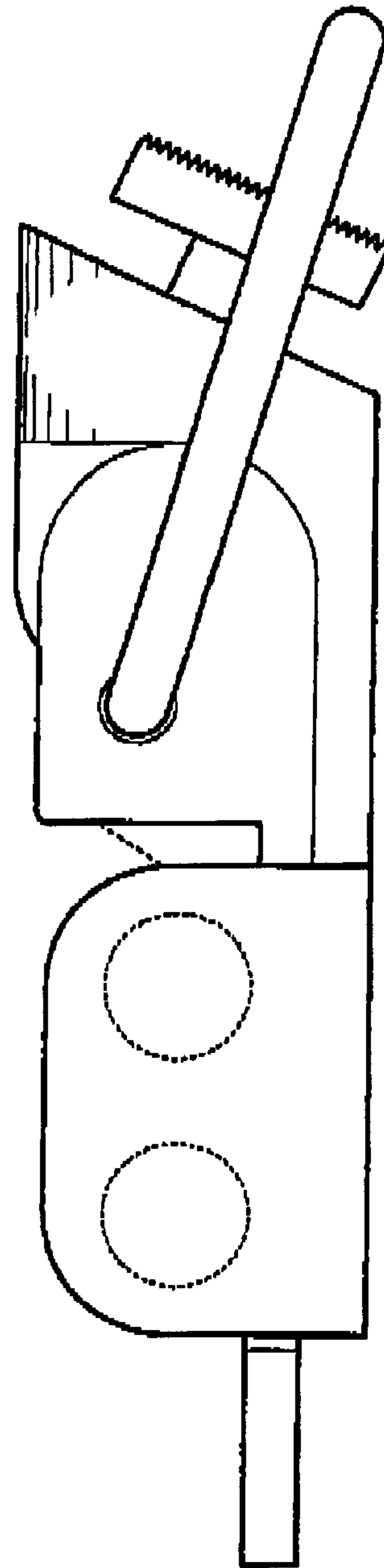


FIG. 7

UNITED STATES PATENT AND TRADEMARK OFFICE
CERTIFICATE OF CORRECTION

PATENT NO. : Des. 535,629 S
APPLICATION NO. : 29/226423
DATED : January 23, 2007
INVENTOR(S) : Scott Kalous et al.

Page 1 of 1

It is certified that error appears in the above-identified patent and that said Letters Patent is hereby corrected as shown below:

Title page, item [75] inventors: delete Michael Brojanac.

Signed and Sealed this

Thirty-first Day of July, 2007

A handwritten signature in black ink on a dotted background. The signature reads "Jon W. Dudas" in a cursive style.

JON W. DUDAS

Director of the United States Patent and Trademark Office