



US00D535628S

(12) **United States Design Patent**
Fort et al.

(10) **Patent No.:** **US D535,628 S**
(45) **Date of Patent:** **** Jan. 23, 2007**

(54) **PORTION OF AN ELECTRICAL DIMMER SWITCH AND COVER PLATE**

D335,282 S 5/1993 Jurell et al.
D335,867 S 5/1993 Rowen

(Continued)

(75) Inventors: **Tucker H. Fort**, New York, NY (US);
Mark B. Greenwald, Westport, CT (US); **Jean Claude Marcou**, Limoges (FR); **Jay J. Mendelson**, Hartsdale, NY (US)

(73) Assignee: **Cooper Wiring Devices, Inc.**,
Peachtree City, GA (US)

(**) Term: **14 Years**

(21) Appl. No.: **29/243,095**

(22) Filed: **Nov. 18, 2005**

Related U.S. Application Data

(60) Continuation of application No. 29/221,844, filed on Jan. 18, 2005, now Pat. No. Des. 517,024, which is a division of application No. 29/193,478, filed on Nov. 10, 2003, now Pat. No. Des. 505,394.

(51) **LOC (8) Cl.** **13-03**

(52) **U.S. Cl.** **D13/174; D13/170**

(58) **Field of Classification Search** D13/162,
D13/164, 169, 170, 171, 174; D10/108, 116,
D10/118; D8/353; 200/5 A, 293, 296, 297,
200/329, 333, 335, 339, 341, 520, 530, 537,
200/552; 220/241; 307/125, 139; 315/291–296

See application file for complete search history.

(56) **References Cited**

U.S. PATENT DOCUMENTS

4,631,354 A	12/1986	Boteler
4,835,343 A	5/1989	Graef et al.
D308,045 S	5/1990	Counts et al.
D310,819 S	9/1990	Watson et al.
D310,820 S	9/1990	Watson et al.
D311,678 S	10/1990	Graef et al.
5,017,837 A	5/1991	Hanna et al.
5,073,681 A	12/1991	Hubben et al.
D325,567 S	4/1992	Jacoby, Jr. et al.
D329,635 S	9/1992	Tsai

OTHER PUBLICATIONS

Lutron product brochure for “Maestro the High-Tech Multi-Location Dimmer”, pp. 56–59.

Lutron product brochure for “FAEDRA Smart Dimmer—For Standard Wallplate”, Lutron Electronics Co., Inc. (2002).

Lutron Ordering Guide for “FAEDRA Smart Dimmer—For Standard Wallplate”, Lutron Electronics Co., Inc. (2002).

Product Specification Sheets for Onset Low-Wattage Incandescent Dimmer, Lightolier Controls (1997).

Ordering Guide for ONSET digital dimmers and controls, pp. 10–11, Lightolier Control (1997).

Product Specification Sheet for Onset Channel Remote, Lightolier Controls (1997).

Product Brochure for The Mural Collection, Leviton Manufacturing Co., Inc. (2000).

(Continued)

Primary Examiner—Selina Sikder

(74) *Attorney, Agent, or Firm*—SAIDMAN DesignLaw Group

(57) **CLAIM**

The ornamental design for portion of an electrical dimmer switch and cover plate, as shown and described.

DESCRIPTION

FIG. 1 is a front, bottom and right side perspective view of the design;

FIG. 2 is a front view thereof;

FIG. 3 is a right side view thereof;

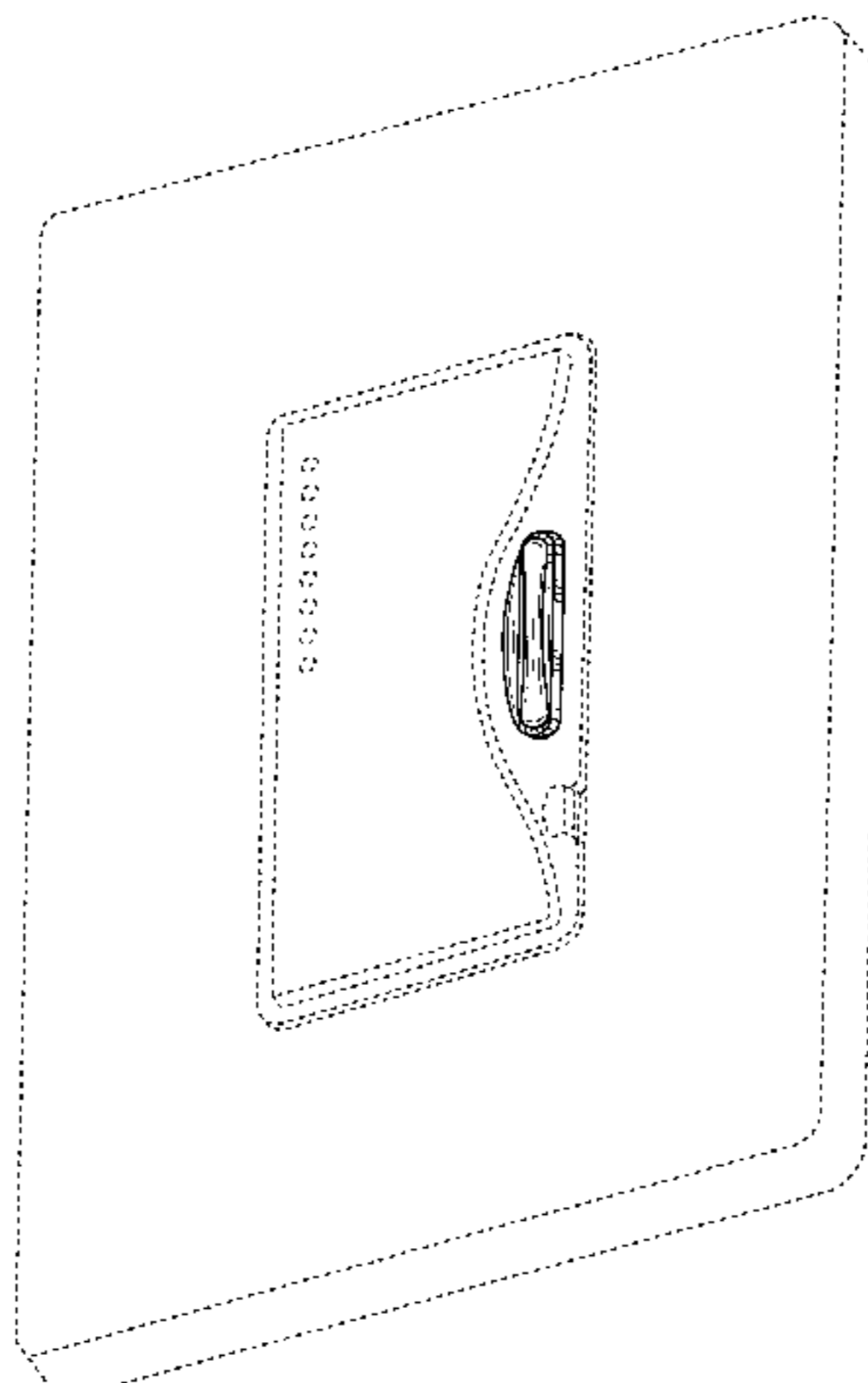
FIG. 4 is a left side view thereof;

FIG. 5 is a top plan view thereof; and,

FIG. 6 is a bottom plan view thereof.

The back forms no part of the design. The broken line showing in the drawings is illustrative and forms no part of the claimed design.

1 Claim, 3 Drawing Sheets



U.S. PATENT DOCUMENTS

5,248,919 A 9/1993 Hanna et al.
5,336,979 A 8/1994 Watson et al.
D353,798 S 12/1994 Bryde et al.
5,399,940 A 3/1995 Hanna et al.
D364,141 S 11/1995 Hanna et al.
D376,130 S 12/1996 Elwell et al.
5,637,930 A 6/1997 Rowen et al.
D380,451 S 7/1997 Krajci et al.
D392,256 S 3/1998 Saint-Cyr et al.
5,723,817 A 3/1998 Arenas et al.
5,895,888 A 4/1999 Arenas et al.
6,005,308 A 12/1999 Bryde et al.
D450,043 S 11/2001 Mosebrook
D463,382 S 9/2002 Jacoby
D471,879 S 3/2003 Mayo et al.
D471,880 S 3/2003 Mayo et al.
D472,221 S 3/2003 Mayo et al.
D472,526 S 4/2003 Mayo et al.
D472,527 S 4/2003 Mayo et al.
6,545,434 B1 4/2003 Sembhi et al.
D477,575 S 7/2003 Mayo et al.
D482,007 S 11/2003 Mayo et al.
6,815,625 B1 * 11/2004 Leopold et al. 200/296
D503,929 S 4/2005 Akinrele et al.

D517,024 S * 3/2006 Fort et al. D13/169

OTHER PUBLICATIONS

Product Specifications for MURAL Lighting Controls, Leviton Manufacturing Co., Inc. (1999).
Product Specifications for Mural Level Set (LS) Lighting Controls, Leviton Manufacturing Co., Inc. (2000).
Installation and Operating Instructions for IMPRESSIONS 3–Key Incandescent Touch Dimmers, Pass & Seymour, May 1992.
IMPRESSIONS Electrical Wiring Devices and Accessories, Pass & Seymour, Apr. 1991.
Catalog for LEVITON Wiring Devices for Construction and Maintenance, Leviton Manufacturing Co., Inc. (2000).
LUTRON Residential Lighting Controls Catalog. pp. 70–73, Lutron Electronics Co., Inc. (2001).
Cooper Wire Devices, Smart Dimmer advertisement, 2003 embodying subject matter of USPN Des. 503,929 sold as early as Jun. 3, 2002.
Cooper Wire Devices, Seven color photographs of Smart Dimmer “Remote” Unit, offered for sale as early as May 2002.

* cited by examiner

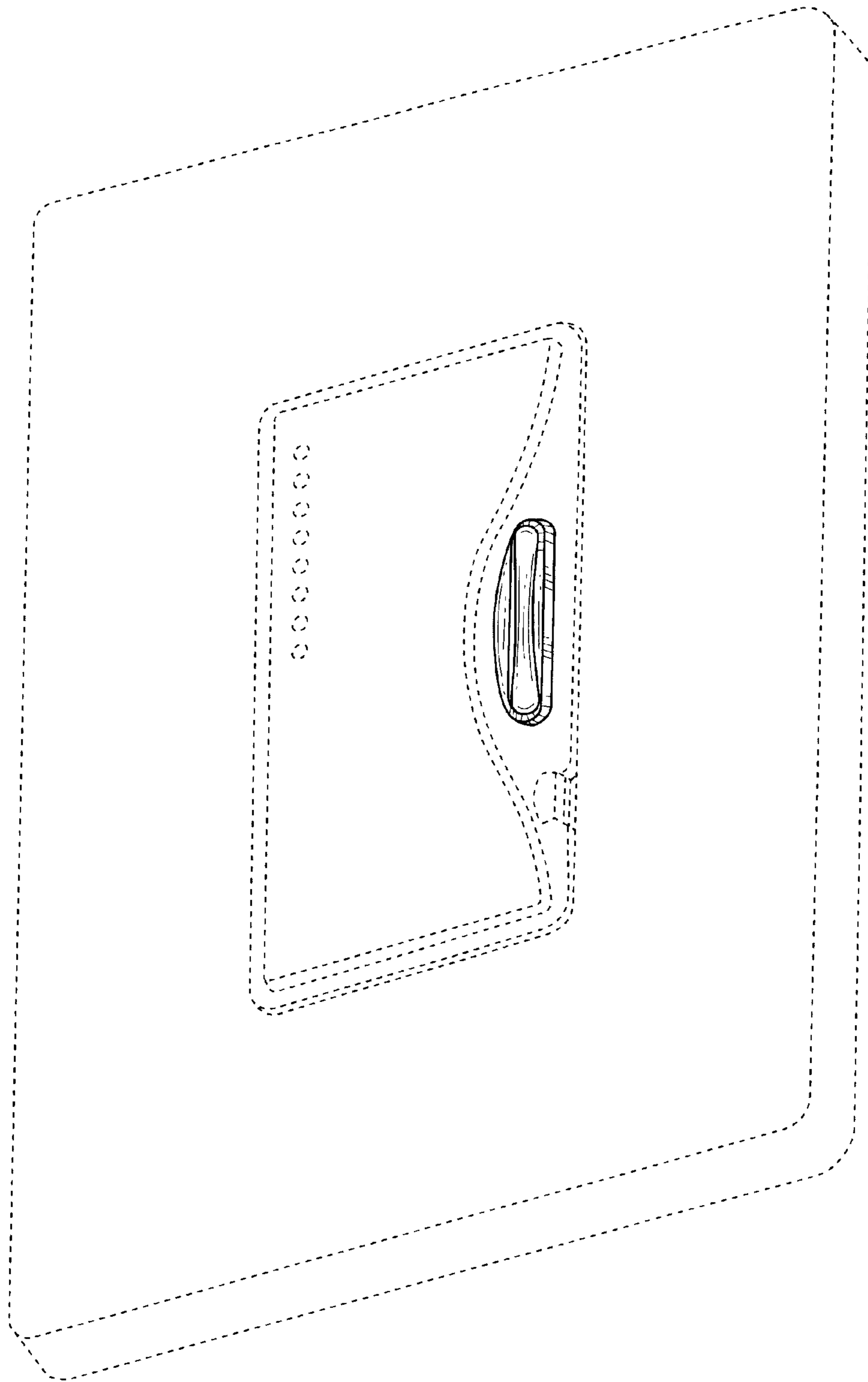


Fig. 1

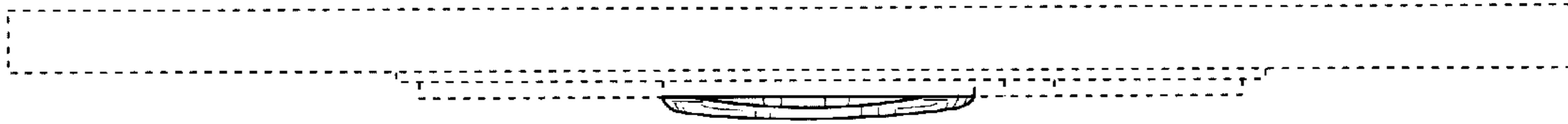


Fig. 3

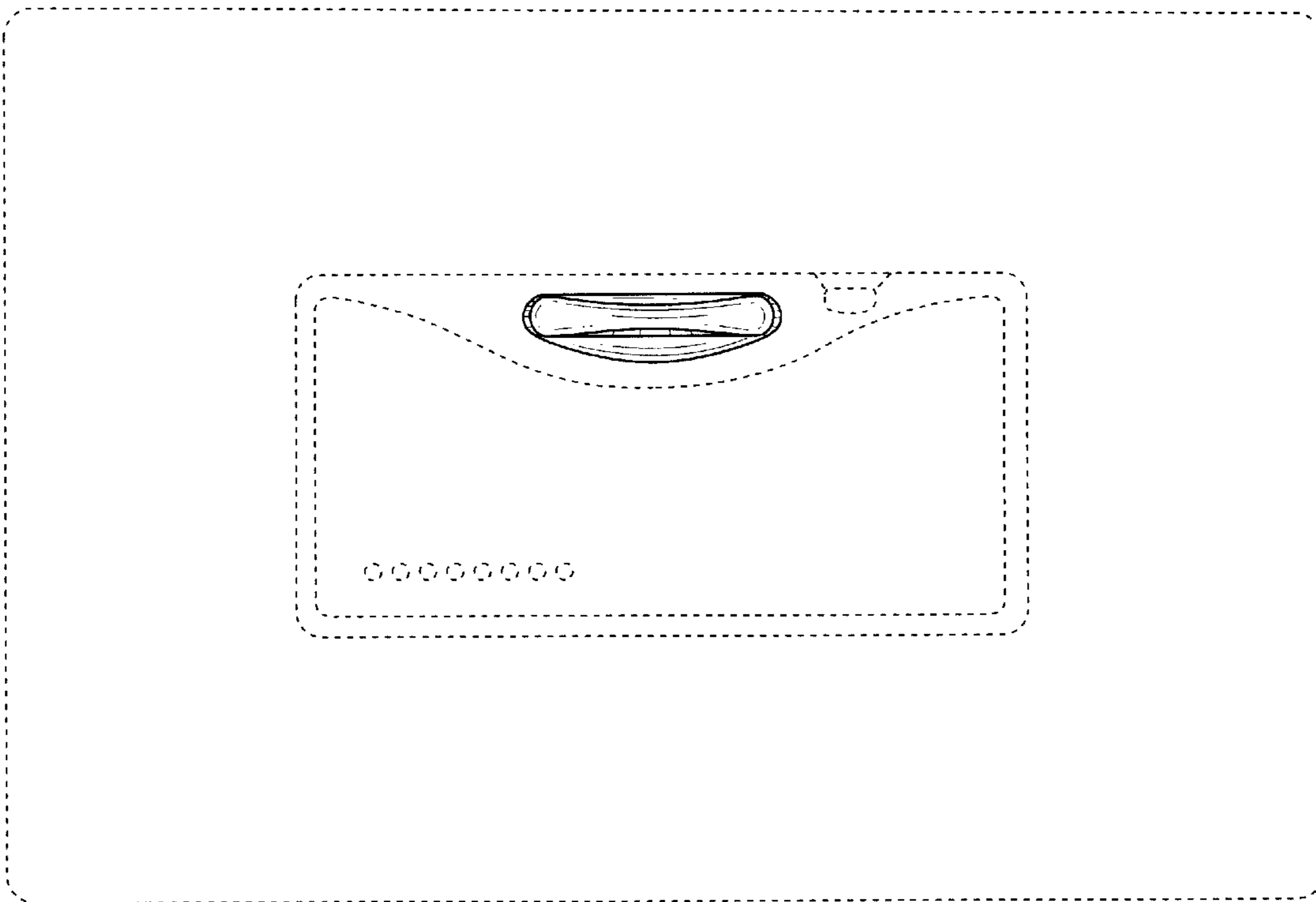


Fig. 2

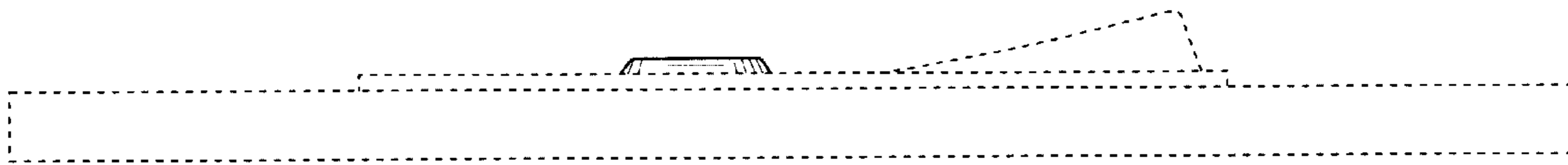


Fig. 4

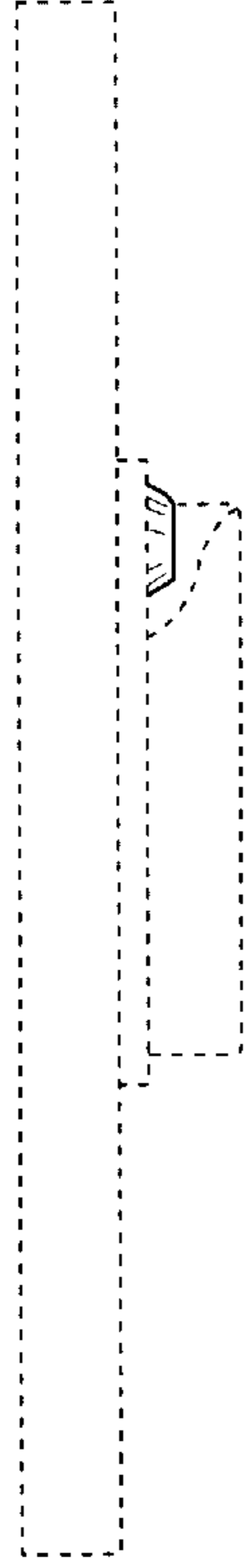


Fig. 5

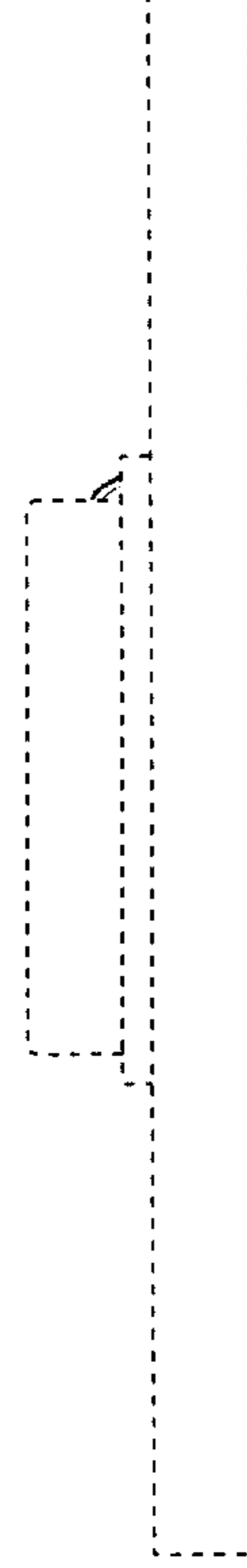


Fig. 6