



US00D535626S

(12) **United States Design Patent**  
**Azzola et al.**

(10) **Patent No.:** **US D535,626 S**  
(45) **Date of Patent:** **\*\* Jan. 23, 2007**

(54) **ELECTRICAL CIRCUIT BREAKER**  
(75) Inventors: **Lucio Azzola**, Bergamo (IT); **Giovanni Frassinetti**, Bergamo (IT)  
(73) Assignee: **ABB Services S.r.l.** (IT)  
(\*\*) Term: **14 Years**

5,587,570 A \* 12/1996 Kelaita et al. .... 200/50.01  
5,610,375 A \* 3/1997 Sinthomez ..... 200/50.01  
6,008,459 A \* 12/1999 Faber et al. .... 200/401  
6,078,017 A \* 6/2000 Blessitt et al. .... 200/293  
6,361,848 B1 \* 3/2002 Katsube et al. .... 428/70  
6,512,433 B1 \* 1/2003 Bouchard et al. .... 335/6  
D498,464 S \* 11/2004 Kim ..... D13/160  
D499,700 S \* 12/2004 Raabe et al. .... D13/160  
D499,701 S \* 12/2004 Kim ..... D13/160  
D506,185 S \* 6/2005 Kim ..... D13/160

(21) Appl. No.: **29/188,211**  
(22) Filed: **Aug. 15, 2003**

(30) **Foreign Application Priority Data**

Feb. 20, 2003 (IT) ..... BG2003O0002

(51) **LOC (8) Cl.** ..... **13-03**  
(52) **U.S. Cl.** ..... **D13/160**  
(58) **Field of Classification Search** ..... D13/160;  
70/203; 174/50, 66, 65 R, 67, 70 R, 77 R,  
174/77 S, 92; 200/5 R, 43.11, 43.14, 50.01,  
200/50.15, 293, 293.1, 303, 401; 361/42,  
361/44, 45, 50, 71, 115, 118, 119, 679; 335/68,  
335/132, 202

See application file for complete search history.

(56) **References Cited**

**U.S. PATENT DOCUMENTS**

D319,627 S \* 9/1991 Smith et al. .... D13/160  
D359,948 S \* 7/1995 Merlin ..... D13/160

**FOREIGN PATENT DOCUMENTS**

WO DM-055 273 4/2001

\* cited by examiner

*Primary Examiner*—Selina Sikder

(74) *Attorney, Agent, or Firm*—Connolly Bove Lodge & Hutz, LLP; Larry J. Hume

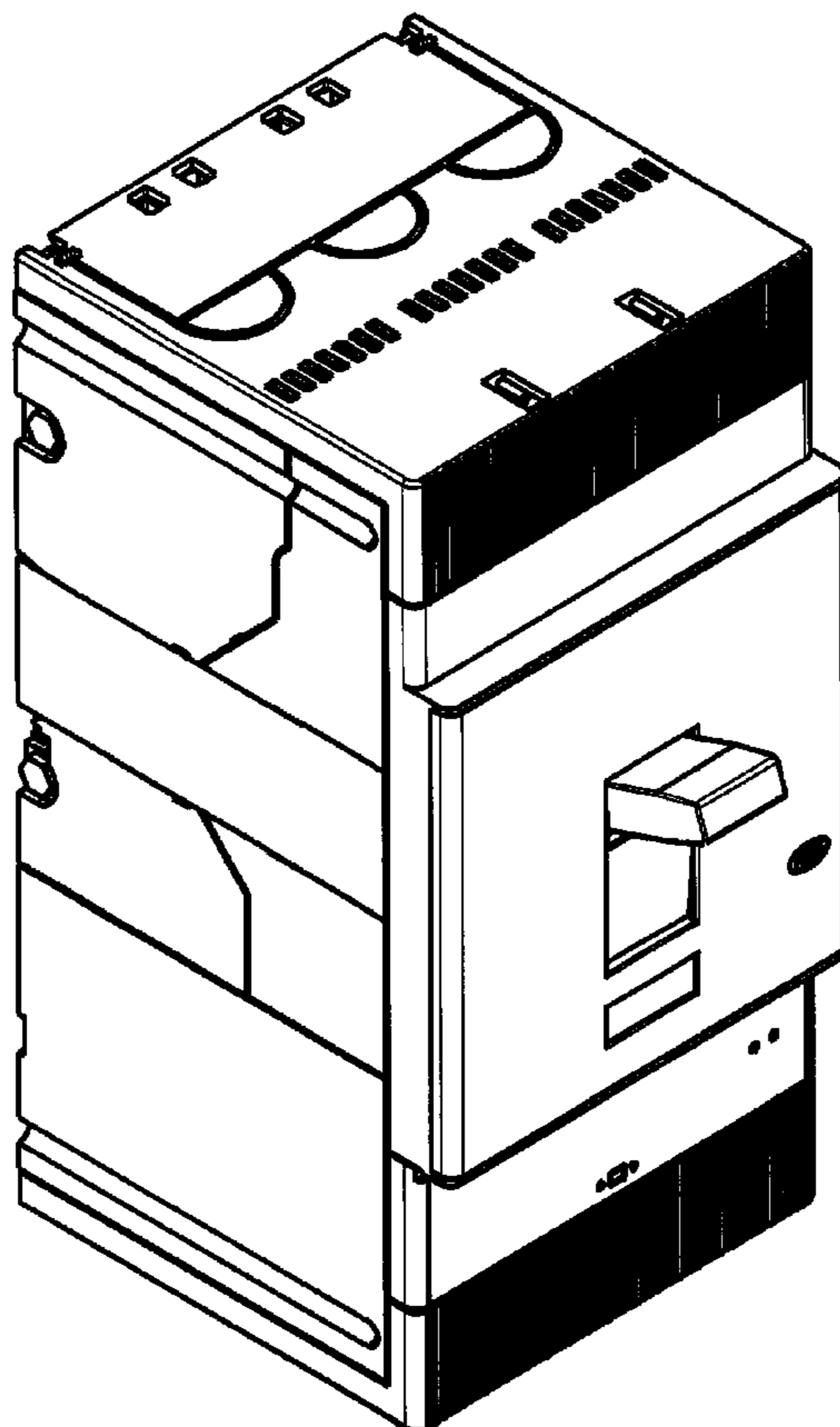
(57) **CLAIM**

We claim ornamental design for an electrical circuit breaker, as shown and described.

**DESCRIPTION**

FIG. 1 is a perspective view of a second embodiment of the new design provided with terminal covers;  
FIG. 2 is a front elevational view thereof;  
FIG. 3 is a side elevational view thereof; and,  
FIG. 4 is a top view thereof.

**1 Claim, 2 Drawing Sheets**



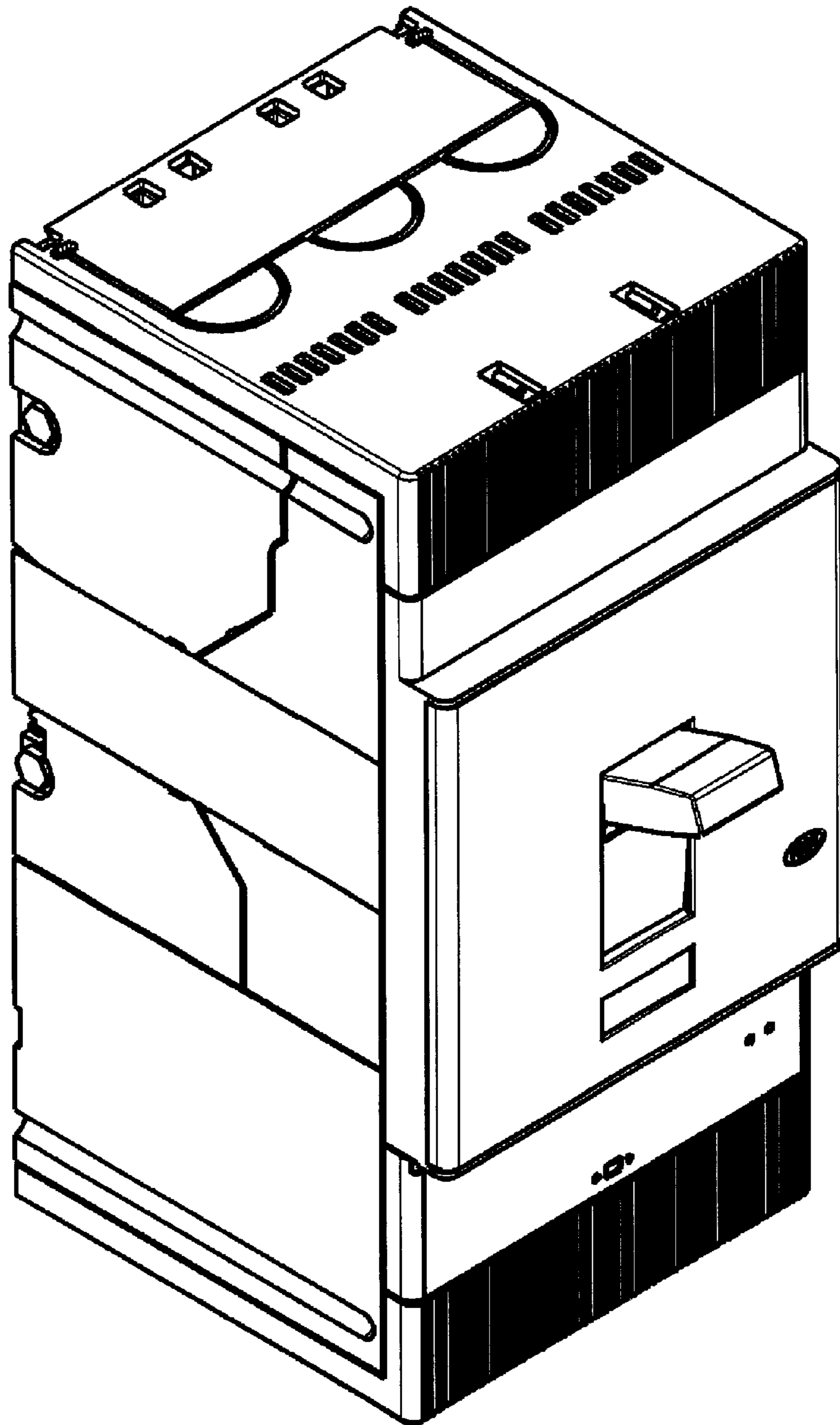


Fig. 1

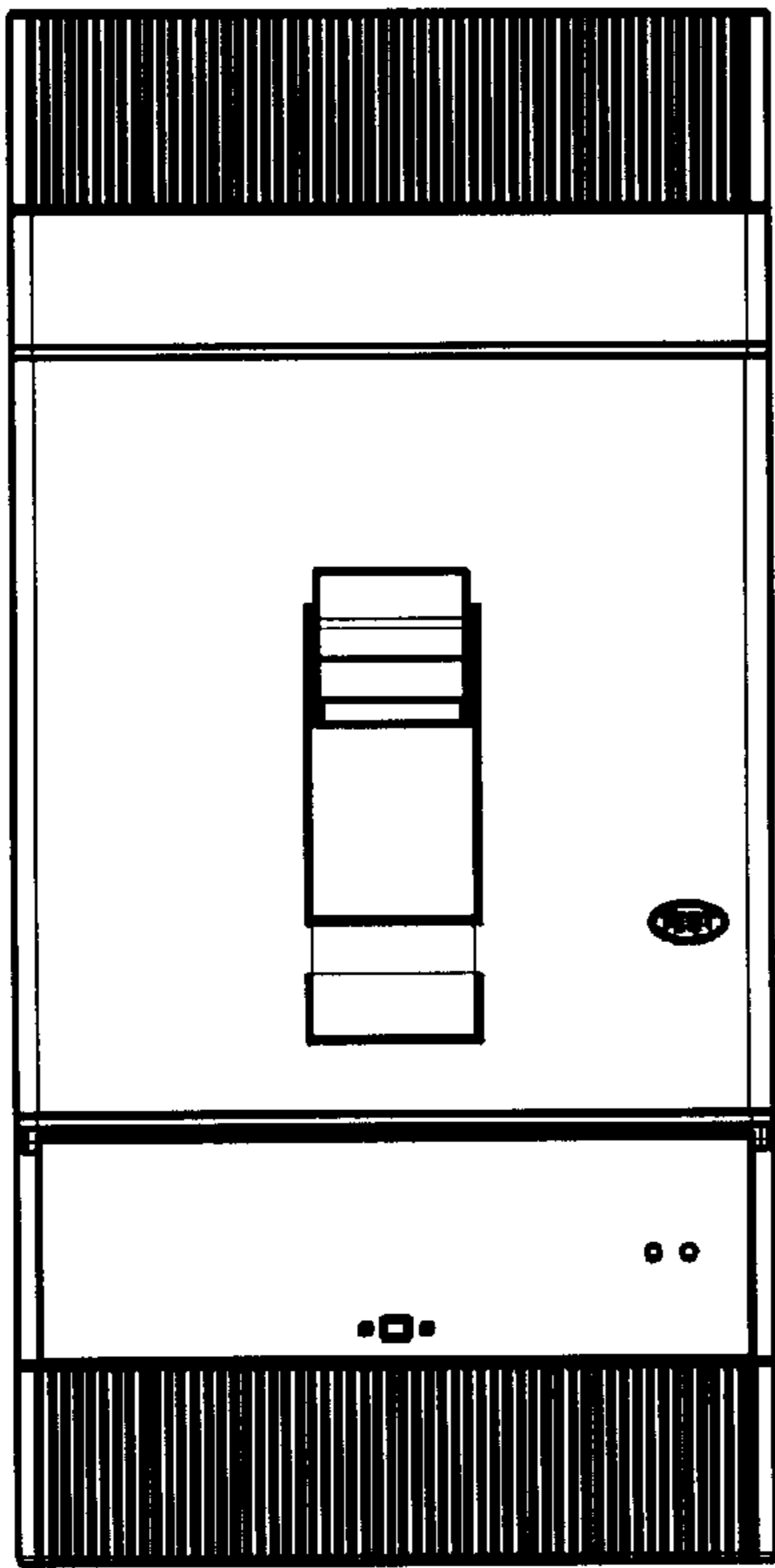


Fig. 2

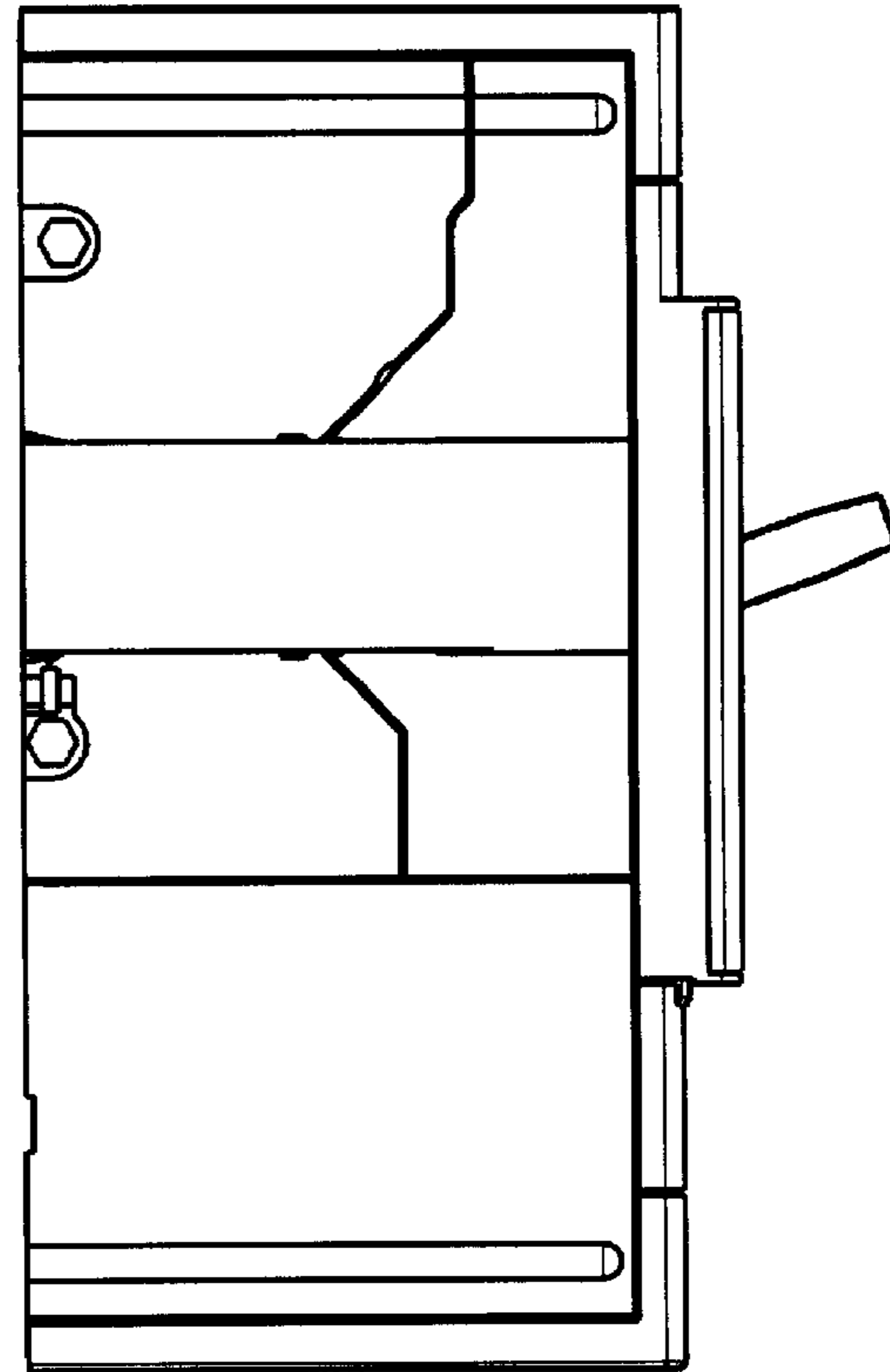


Fig. 3

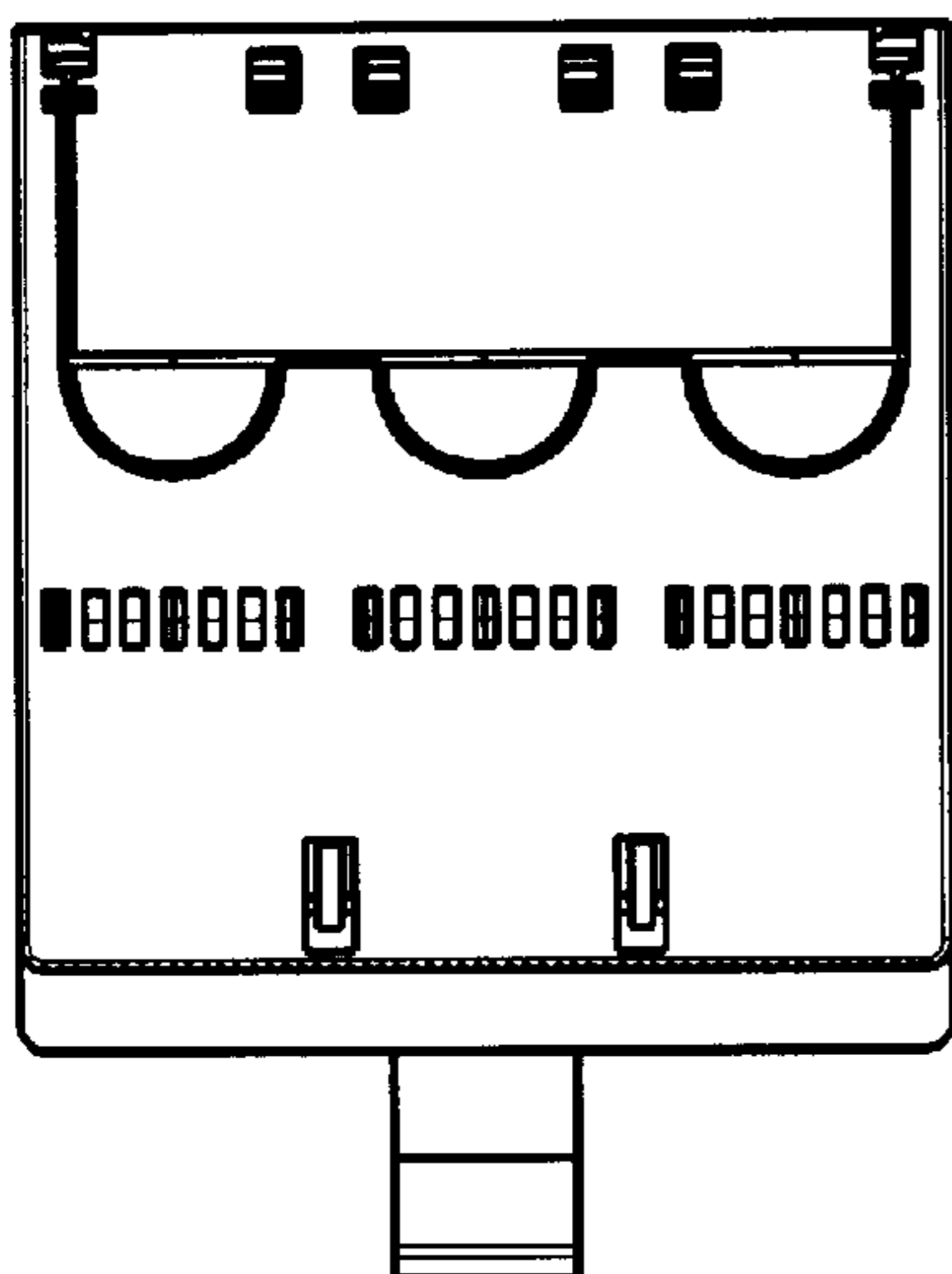


Fig. 4