



US00D535624S

(12) **United States Design Patent**  
**Toyota et al.**

(10) **Patent No.:** **US D535,624 S**

(45) **Date of Patent:** **\*\* \*Jan. 23, 2007**

(54) **ELECTRIC CONNECTOR**

(75) Inventors: **Kazuma Toyota**, Kanagawa (JP);  
**Tatsuya Miyazaki**, Tokyo (JP)

(73) Assignee: **Molex Incorporated**, Lisle, IL (US)

(\*) Notice: This patent is subject to a terminal disclaimer.

(\*\*) Term: **14 Years**

(21) Appl. No.: **29/232,566**

(22) Filed: **Jun. 21, 2005**

(51) **LOC (8) Cl.** ..... **13-03**

(52) **U.S. Cl.** ..... **D13/147**

(58) **Field of Classification Search** ..... D13/133,  
D13/146-147, 154, 199; 439/79, 83, 108,  
439/181, 607-610, 639

See application file for complete search history.

(56) **References Cited**

**U.S. PATENT DOCUMENTS**

D399,489 S \* 10/1998 Nishio et al. .... D13/147

D409,575 S \* 5/1999 Okamoto ..... D13/147

D450,040 S \* 11/2001 Shimojyo ..... D13/147

D451,477 S \* 12/2001 Shimojyo ..... D13/147

D452,482 S \* 12/2001 Shimojyo ..... D13/147

D452,679 S \* 1/2002 Shimojyo ..... D13/147

D452,847 S \* 1/2002 Shimojyo ..... D13/147

D478,320 S \* 8/2003 Suzuki et al. .... D13/147

D480,686 S \* 10/2003 Takahashi ..... D13/147

D509,475 S \* 9/2005 Tsai ..... D13/147

D510,069 S \* 9/2005 Tsai ..... D13/147

\* cited by examiner

*Primary Examiner*—Prabhakar Deshmukh

*Assistant Examiner*—Daniel Bui

(74) *Attorney, Agent, or Firm*—Thomas D. Paulius

(57) **CLAIM**

The ornamental design for an electric connector, as shown and described.

**DESCRIPTION**

FIG. 1 is a front elevational view of an electric connector showing our new design;

FIG. 2 is a rear elevational view thereof;

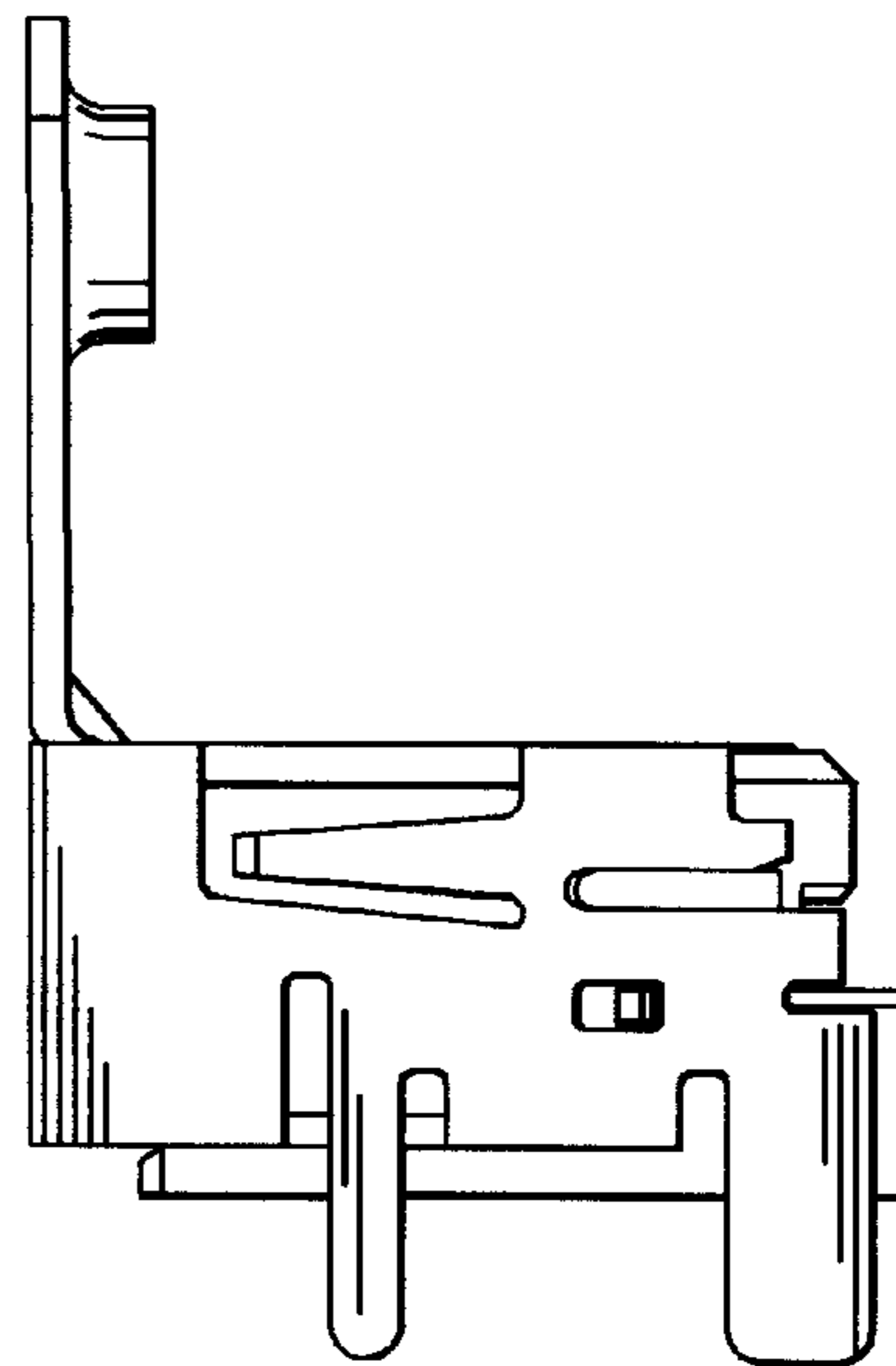
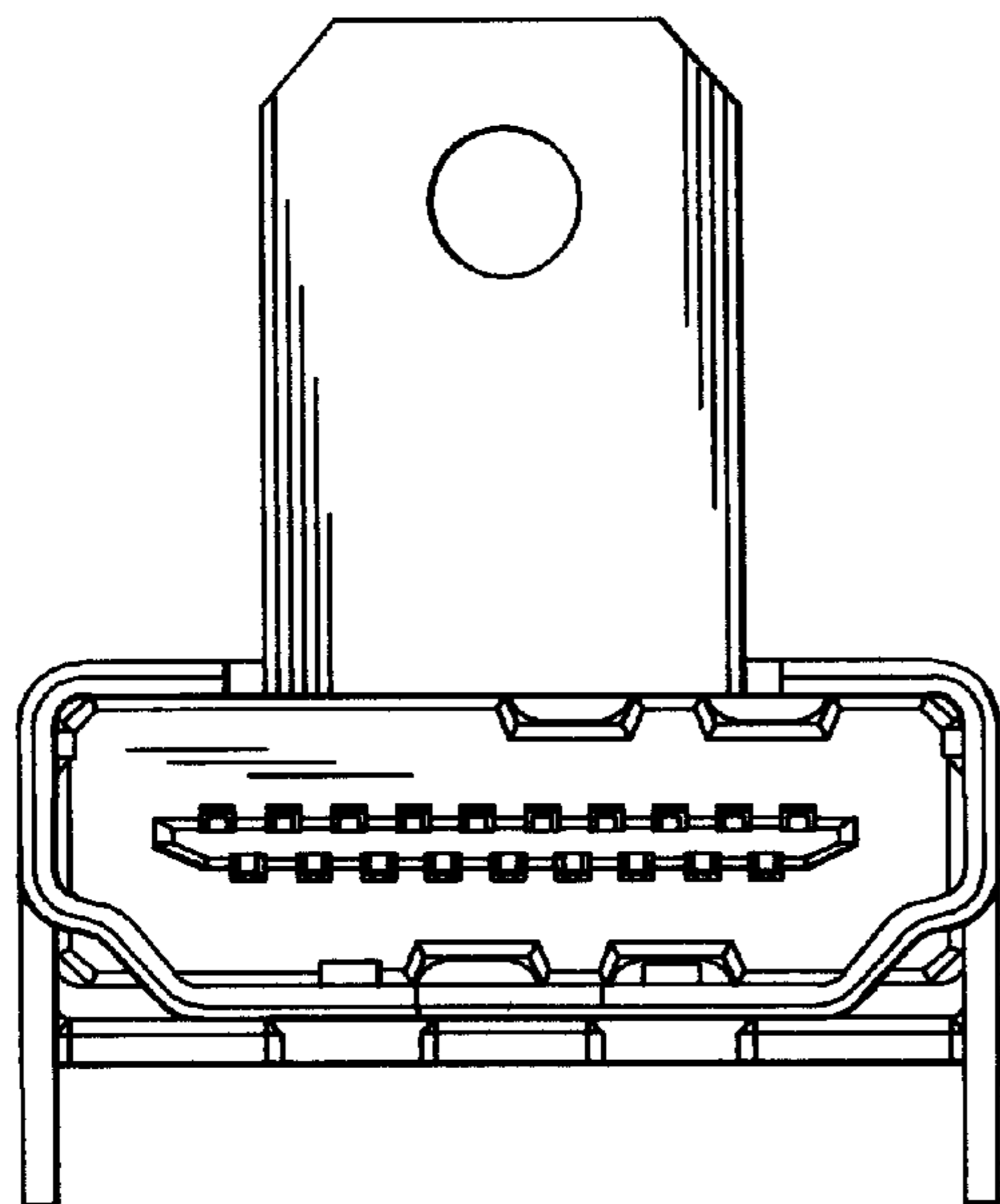
FIG. 3 is a left side elevational view thereof;

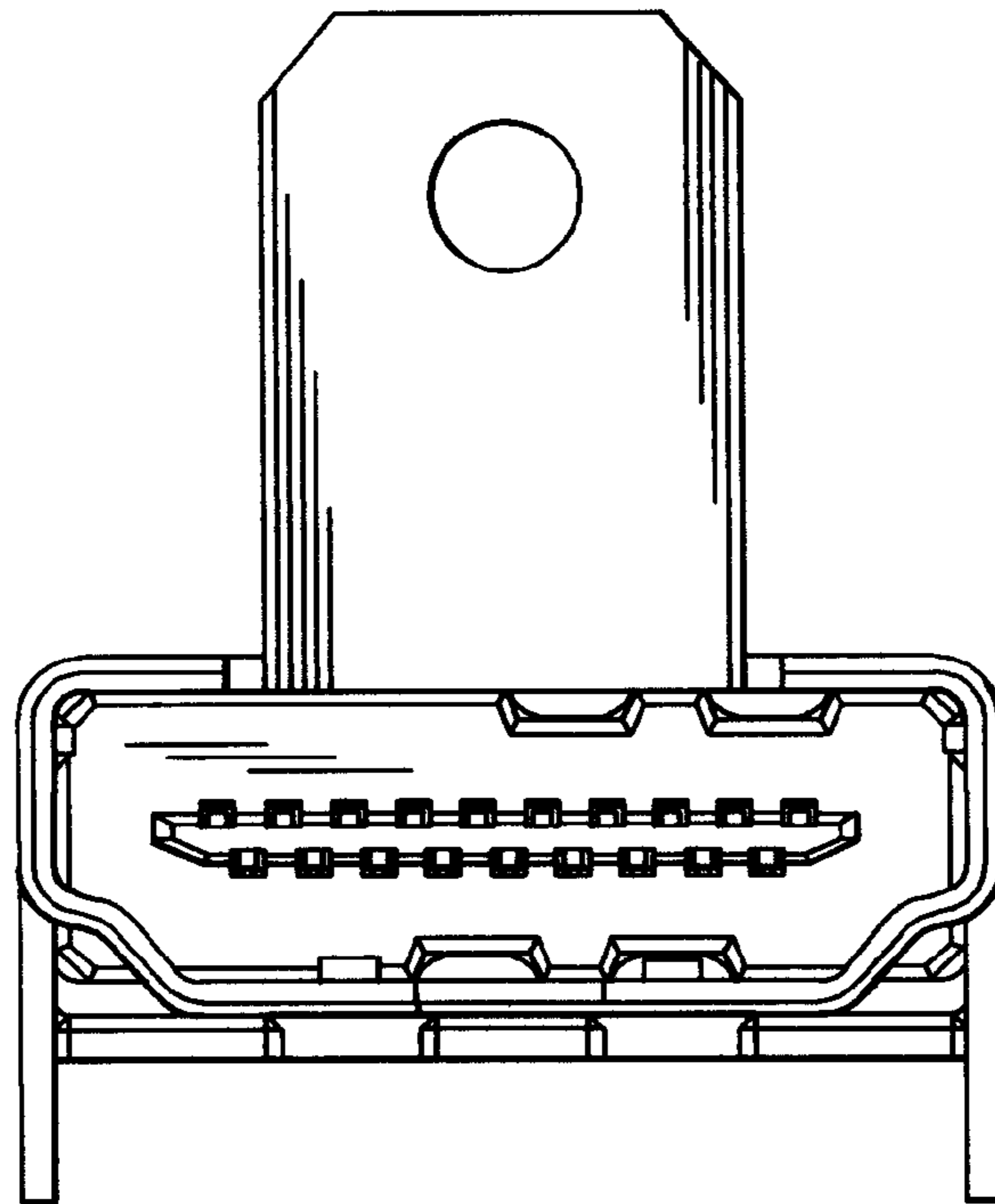
FIG. 4 is a right side elevational view thereof;

FIG. 5 is a top plan view thereof; and,

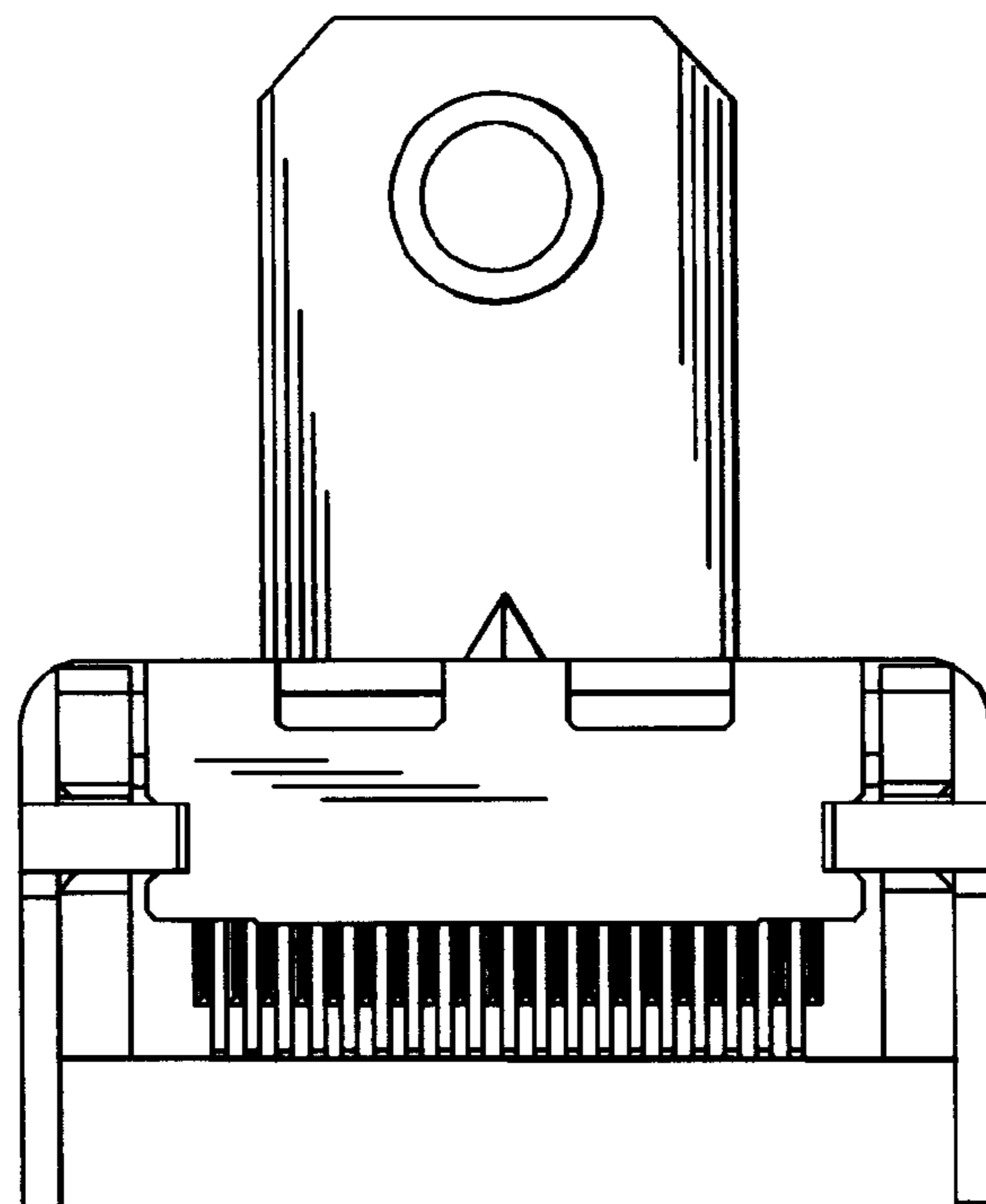
FIG. 6 is a bottom plan view thereof.

**1 Claim, 3 Drawing Sheets**

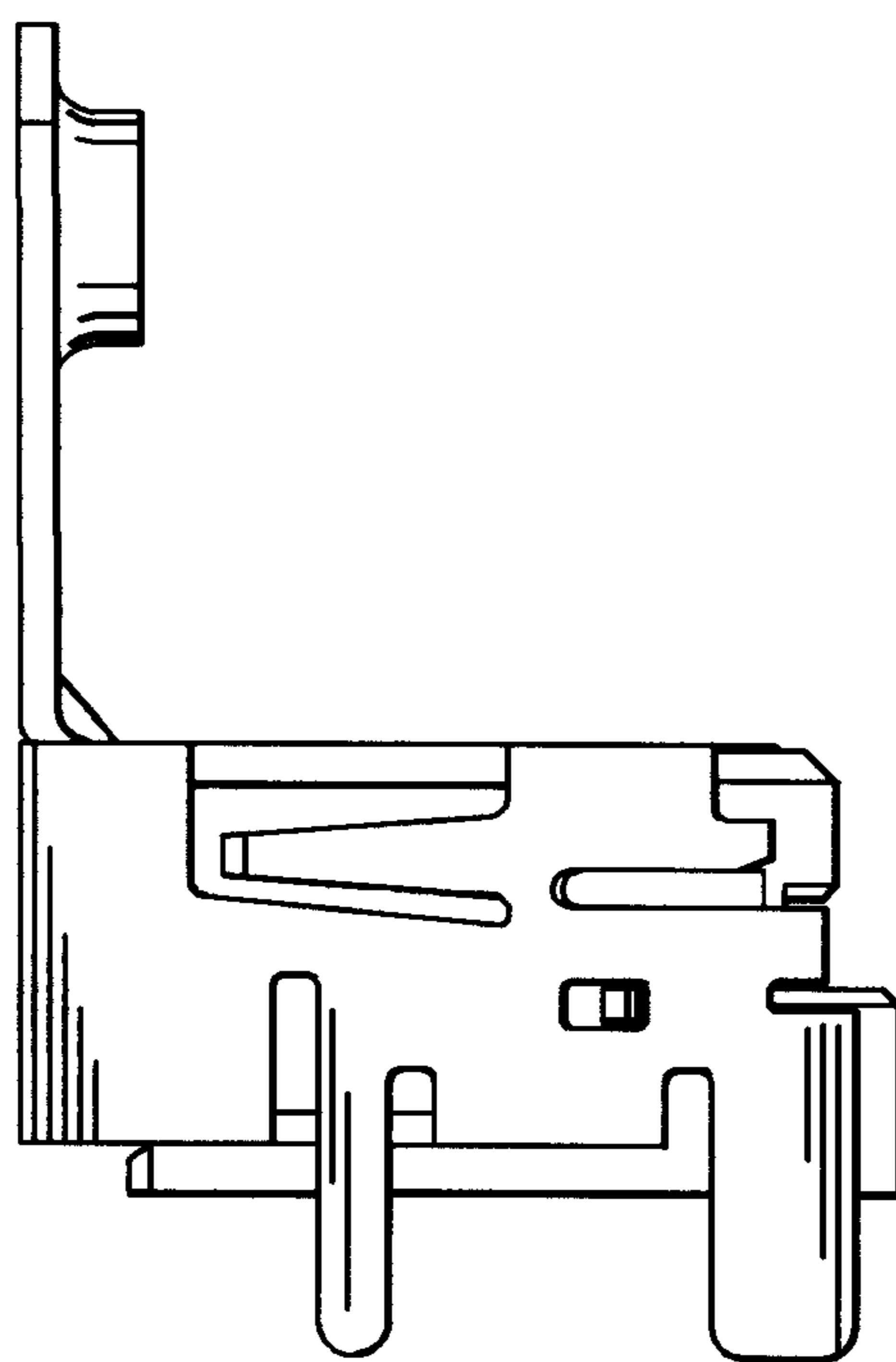




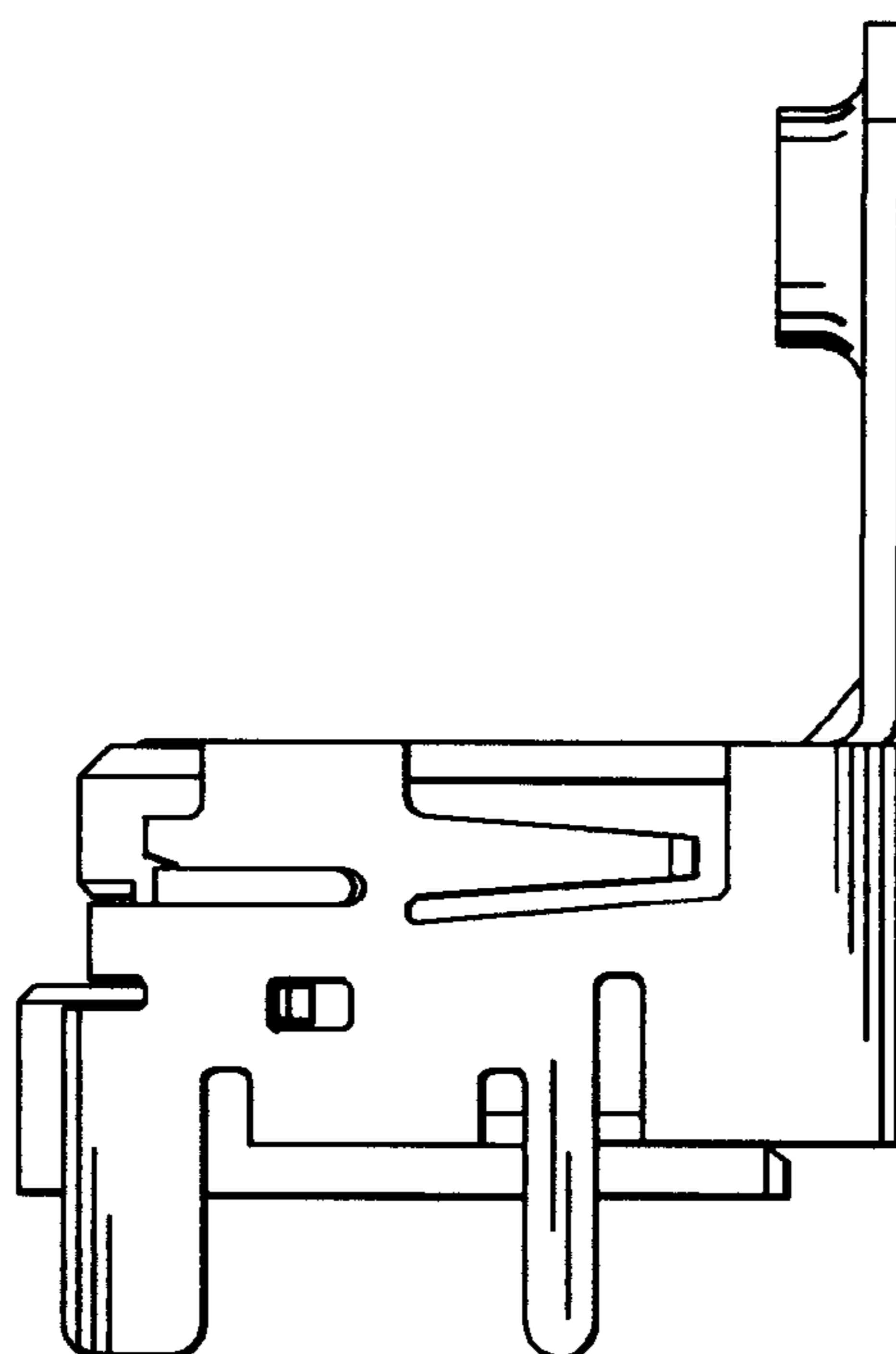
**FIG. 1**



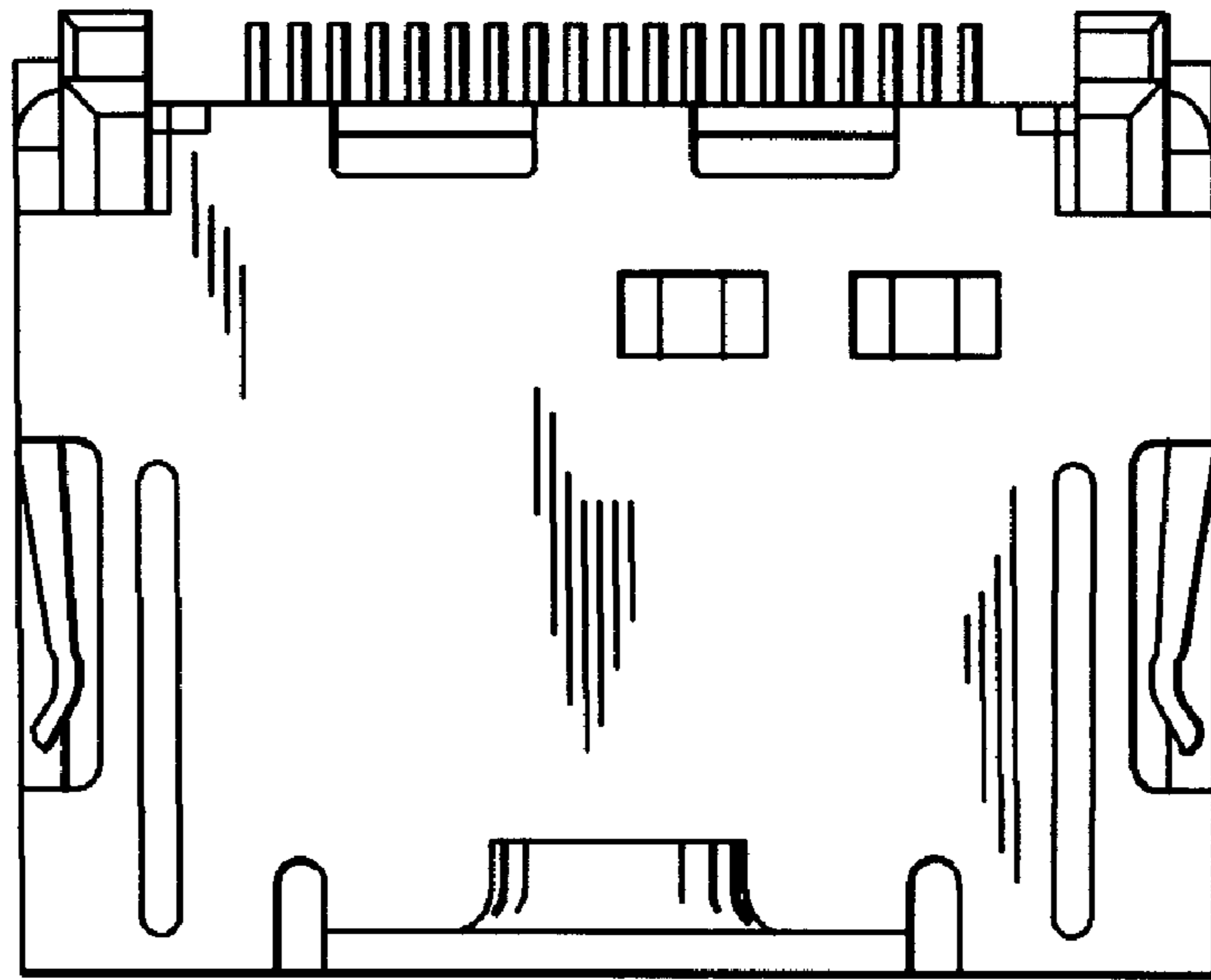
**FIG. 2**



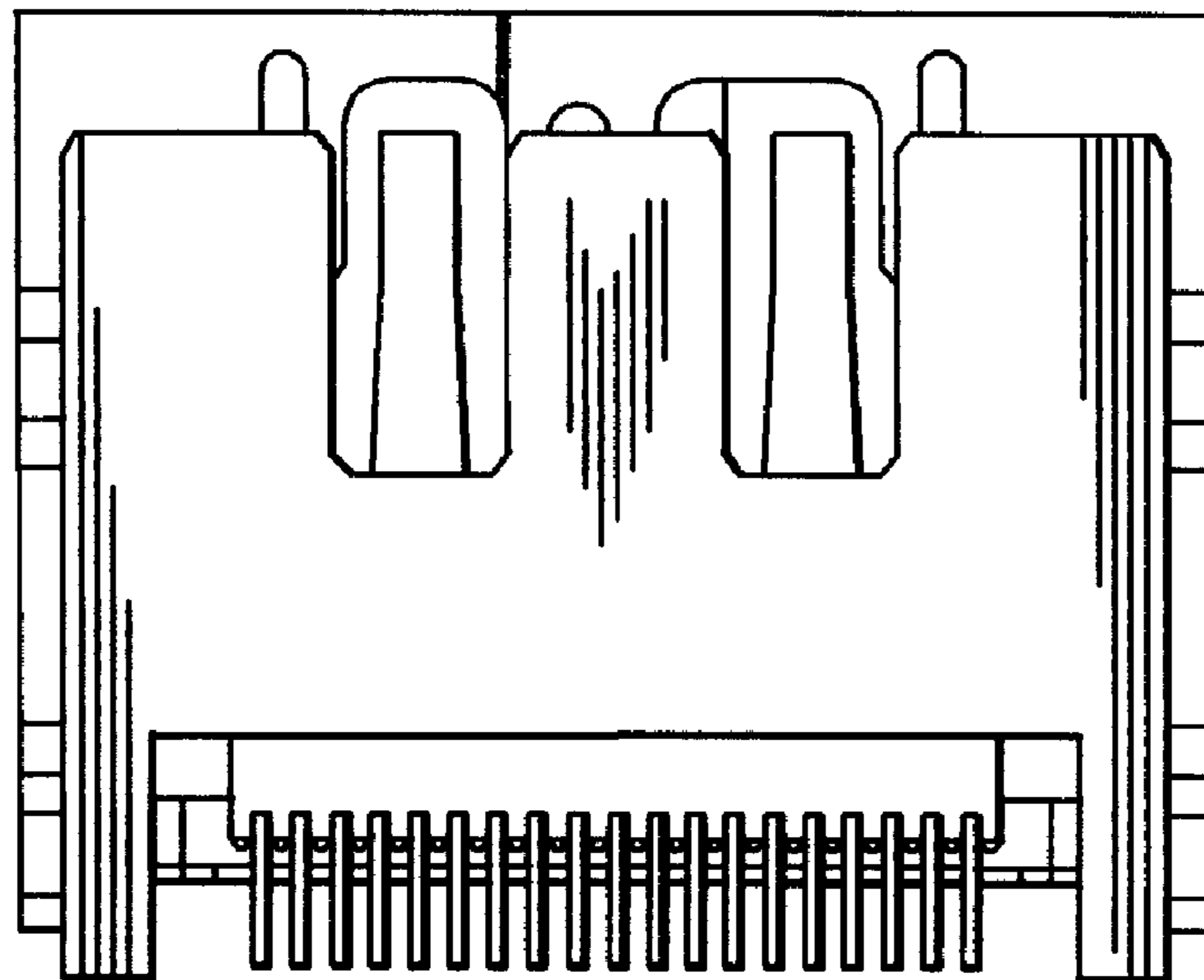
**FIG. 3**



**FIG. 4**



**FIG. 5**



**FIG. 6**