



US00D535623S

(12) **United States Design Patent**
Hung-Way

(10) **Patent No.:** **US D535,623 S**

(45) **Date of Patent:** **** Jan. 23, 2007**

(54) **CONNECTOR ADAPTER**

(75) Inventor: **Huang Hung-Way**, Taipei (TW)

(73) Assignee: **Advanced-Connectek, Inc.**, Taipei (TW)

(**) Term: **14 Years**

(21) Appl. No.: **29/214,800**

(22) Filed: **Oct. 12, 2004**

(51) **LOC (8) Cl.** **13-03**

(52) **U.S. Cl.** **D13/147**

(58) **Field of Classification Search** D13/133,
D13/146-147, 154, 184, 199; 439/352-353,
439/357-358, 502, 540.1, 607, 610, 638,
439/677-681, 686

See application file for complete search history.

(56) **References Cited**

U.S. PATENT DOCUMENTS

5,309,092	A	*	5/1994	Kuntz et al.	324/158.1
D381,629	S	*	7/1997	Goto	D13/147
D407,376	S	*	3/1999	Copeland et al.	D13/153
D409,150	S	*	5/1999	Davis et al.	D13/153
D416,233	S	*	11/1999	Tsai	D13/153
D416,542	S	*	11/1999	Tsai	D13/153

D416,868	S	*	11/1999	Tsai	D13/153
D442,553	S	*	5/2001	Urban et al.	D13/153
D456,010	S	*	4/2002	Goto	D13/147
D456,509	S	*	4/2002	Schultz	D24/133
D473,521	S	*	4/2003	Mavreas	D13/147
D493,144	S	*	7/2004	Cheng et al.	D13/147

* cited by examiner

Primary Examiner—Stella Reid

Assistant Examiner—Daniel Bui

(74) *Attorney, Agent, or Firm*—Johnson & Associates, PC;
Chuansey B. Johnson, Esq.

(57) **CLAIM**

The ornamental design for a connector adapter, as shown and described.

DESCRIPTION

FIG. 1 is a perspective view of a connector adapter showing my new design;

FIG. 2 is a front view thereof, in a larger scale;

FIG. 3 is a rear view thereof, in a larger scale;

FIG. 4 is a left view thereof;

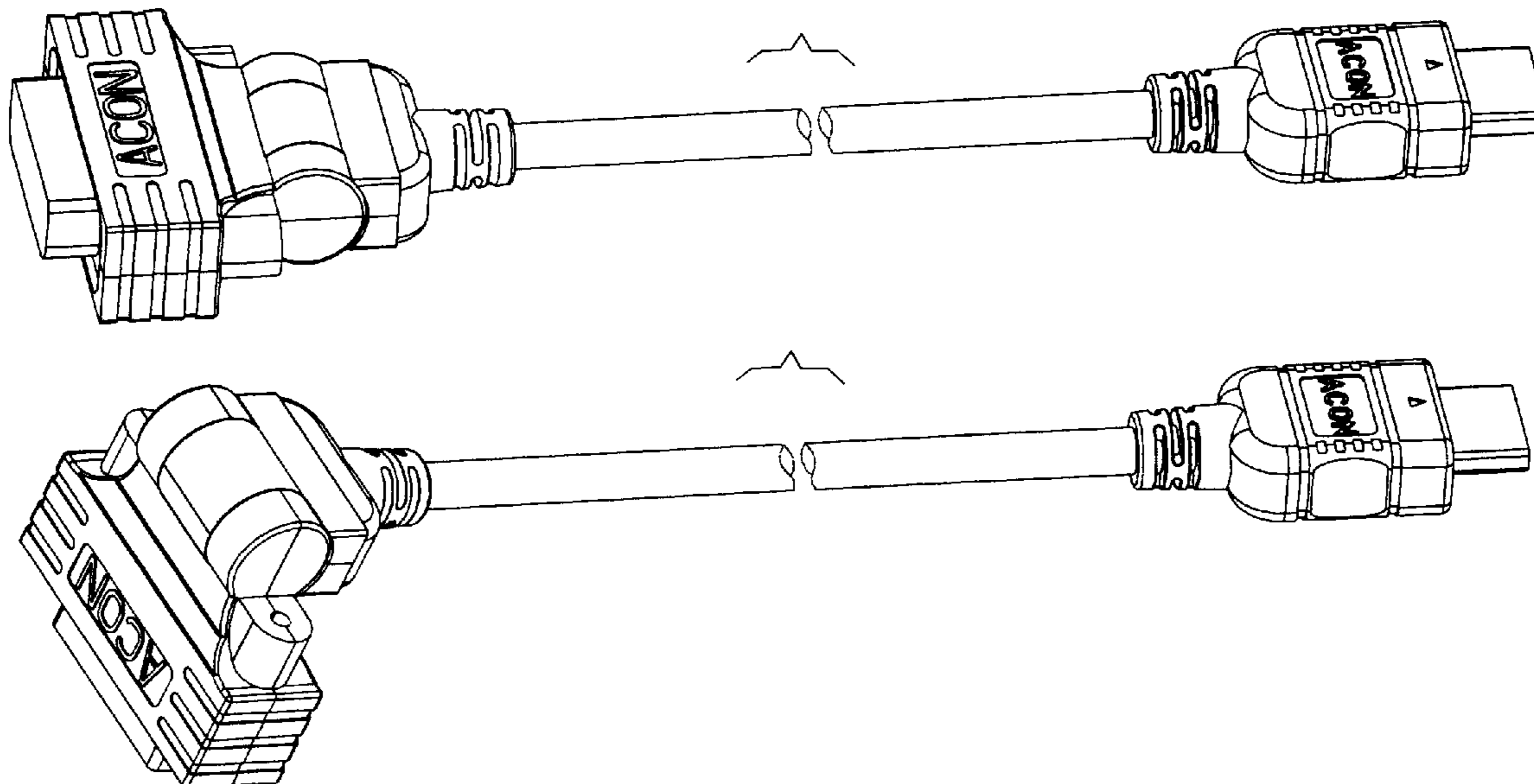
FIG. 5 is a right view thereof;

FIG. 6 is a top view thereof;

FIG. 7 is a bottom view thereof; and,

FIG. 8 is a perspective view thereof, in an alternate position.

1 Claim, 5 Drawing Sheets



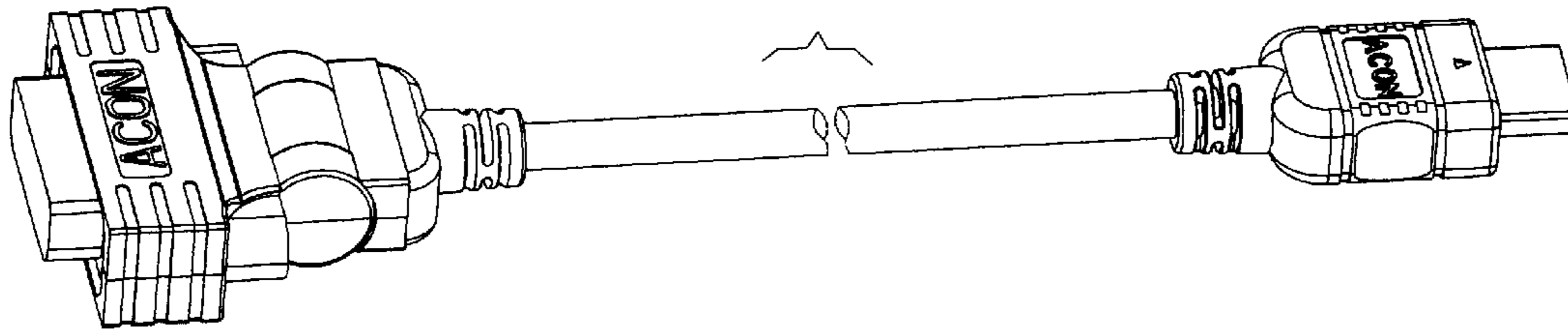


FIG. 1

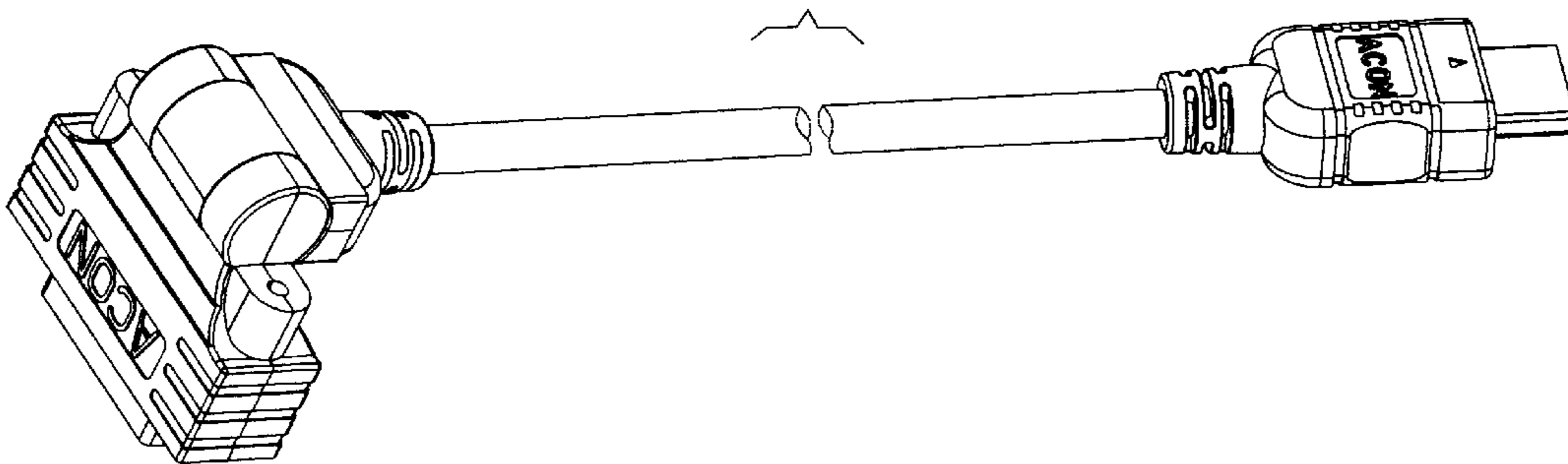


FIG. 8

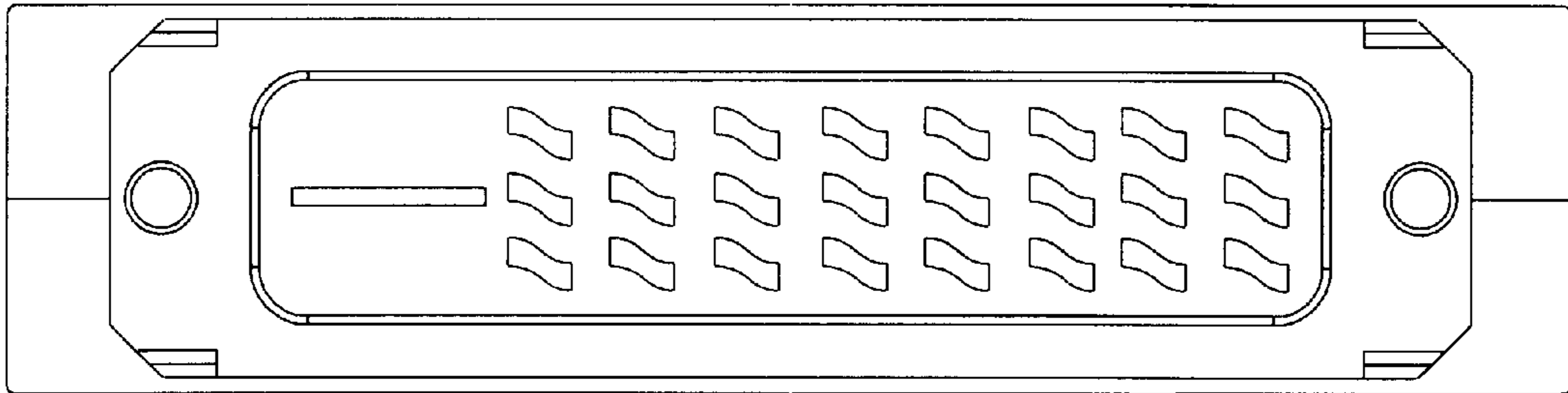


FIG.2

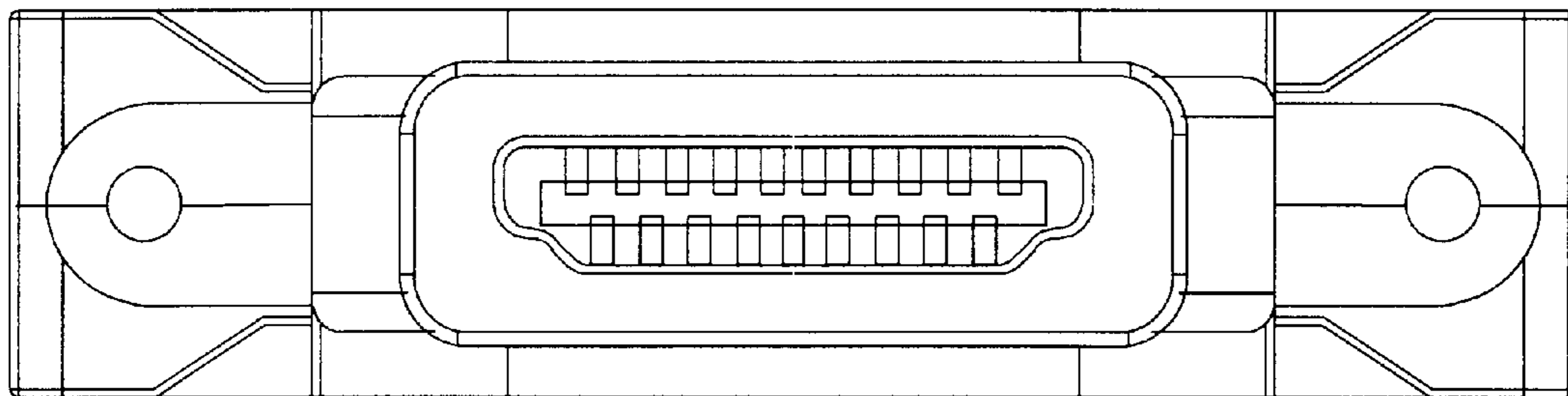


FIG.3

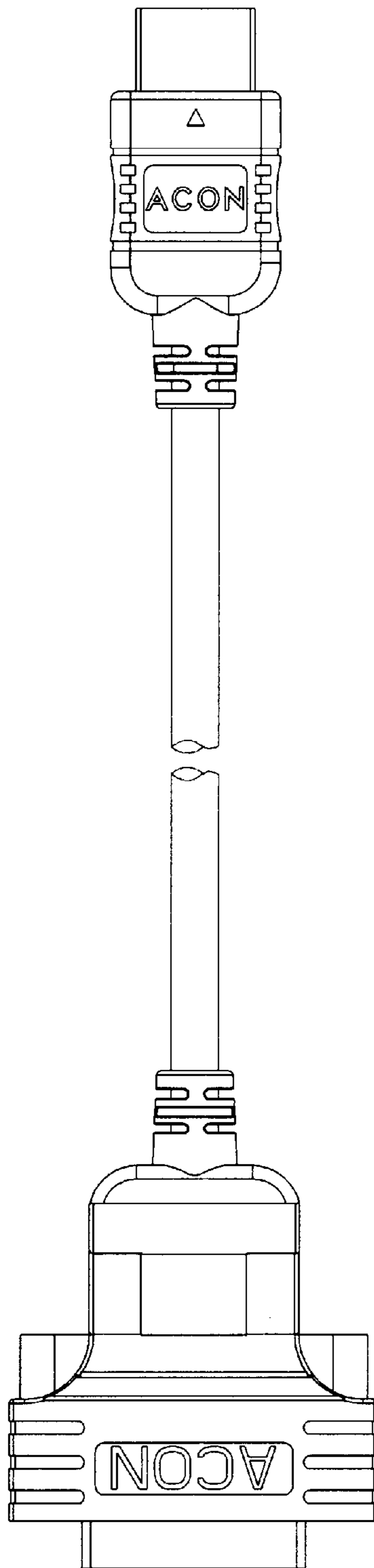


FIG.4

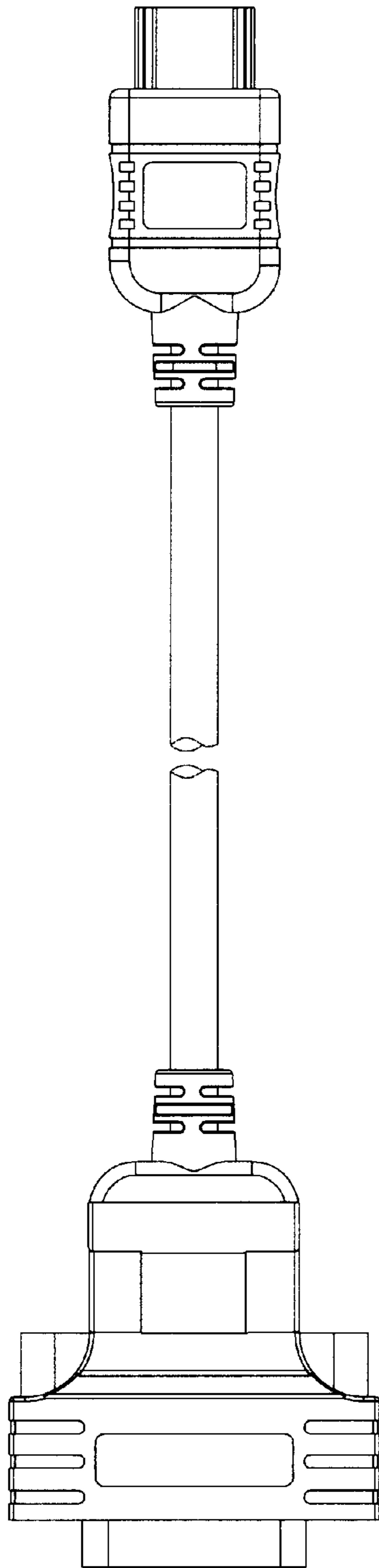


FIG.5

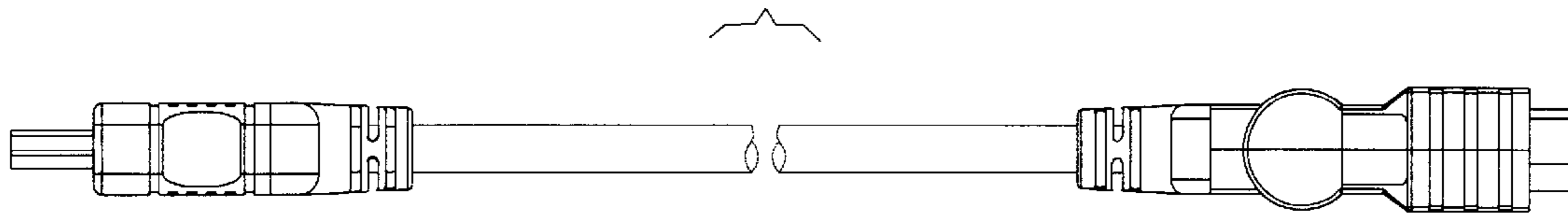


FIG. 6

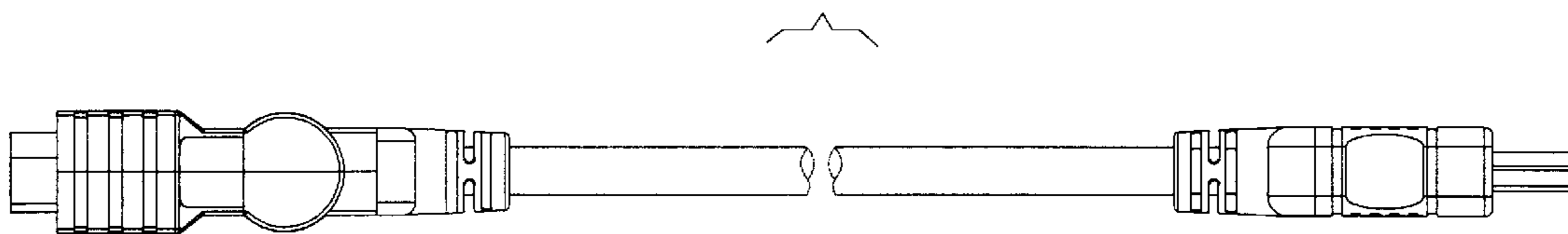


FIG. 7