



US00D535622S

(12) **United States Design Patent**
Zhu et al.

(10) **Patent No.:** **US D535,622 S**

(45) **Date of Patent:** **** Jan. 23, 2007**

(54) **AUDIO JACK CONNECTOR**

(75) Inventors: **Zi-Qiang Zhu**, Kunshan (CN);
Hong-Qiang Han, Kunshan (CN)

(73) Assignee: **Hon Hai Precision Ind. Co. Ltd.**,
Taipei Hsien (TW)

(**) Term: **14 Years**

(21) Appl. No.: **29/245,512**

(22) Filed: **Dec. 23, 2005**

(30) **Foreign Application Priority Data**

Nov. 23, 2005 (CN) 200530153335

(51) **LOC (8) Cl.** **13-03**

(52) **U.S. Cl.** **D13/133**

(58) **Field of Classification Search** D13/133,
D13/146, 154, 184, 199; 381/384, 394; 439/188,
439/278, 607, 668, 894

See application file for complete search history.

(56) **References Cited**

U.S. PATENT DOCUMENTS

6,220,898 B1 * 4/2001 Wu 439/668
6,224,409 B1 * 5/2001 Chang 439/188
D451,472 S * 12/2001 Suzuki D13/133

D457,494 S * 5/2002 Lin D13/133
D459,303 S * 6/2002 Florescu D13/133
6,575,793 B1 * 6/2003 Li et al. 439/668
6,869,315 B2 * 3/2005 Nakai et al. 439/668
D507,531 S * 7/2005 Suzuki D13/133
2003/0100227 A1 * 5/2003 Yeh 439/668
2006/0083399 A1 * 4/2006 Yang 381/384

* cited by examiner

Primary Examiner—Nanda Bondade

Assistant Examiner—Daniel Bui

(74) *Attorney, Agent, or Firm*—Wei Te Chung

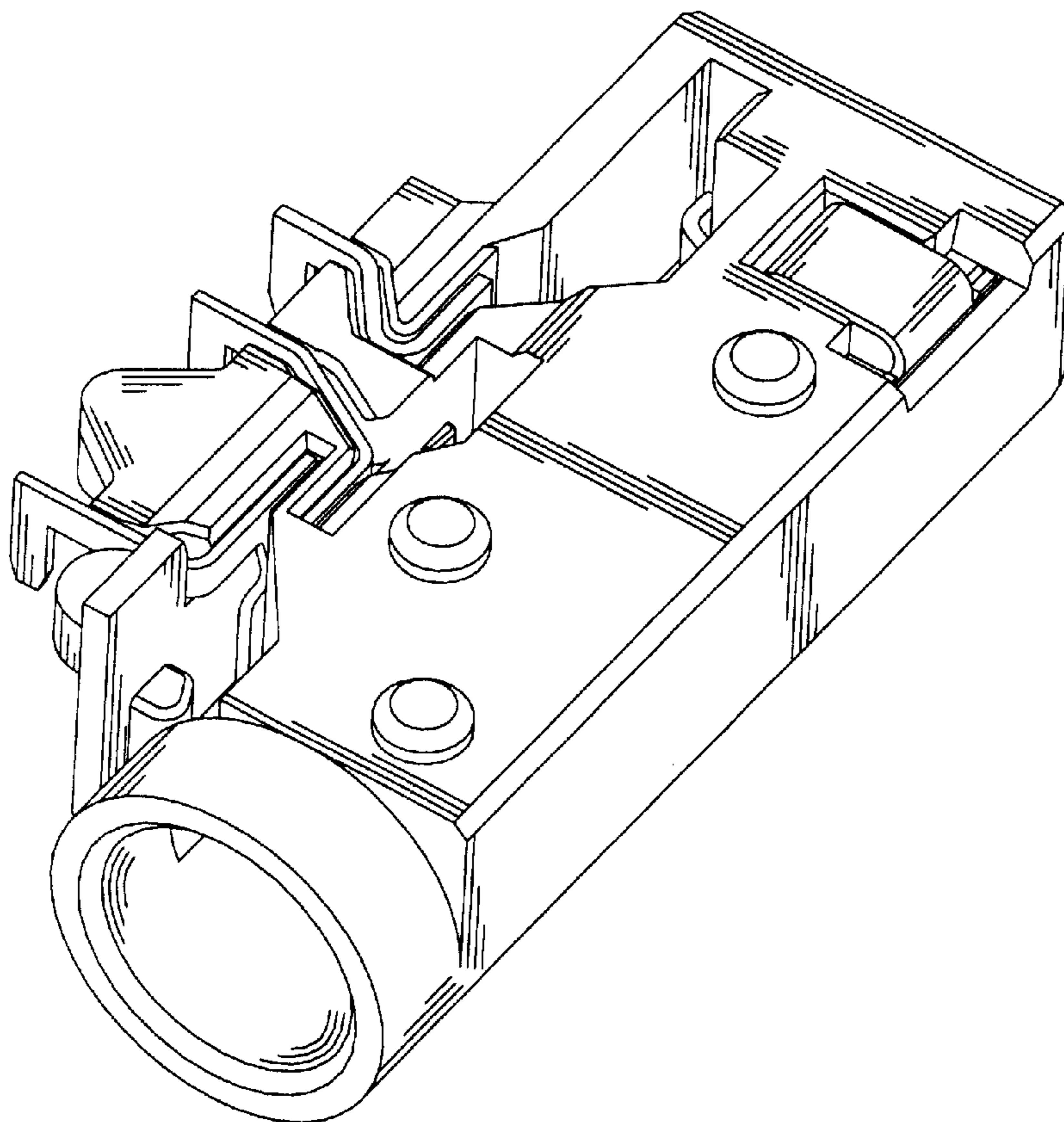
(57) **CLAIM**

The ornamental design for an audio jack connector, as shown.

DESCRIPTION

FIG. 1 is a front, top and right side perspective view of an audio jack connector showing our new design; FIG. 2 is a front elevational view of FIG. 1; FIG. 3 is a rear elevational view of FIG. 1; FIG. 4 is a left side elevational view of FIG. 1; FIG. 5 is a right side elevational view of FIG. 1; FIG. 6 is a top plan view of FIG. 1; and, FIG. 7 is a bottom plan view of FIG. 1.

1 Claim, 7 Drawing Sheets



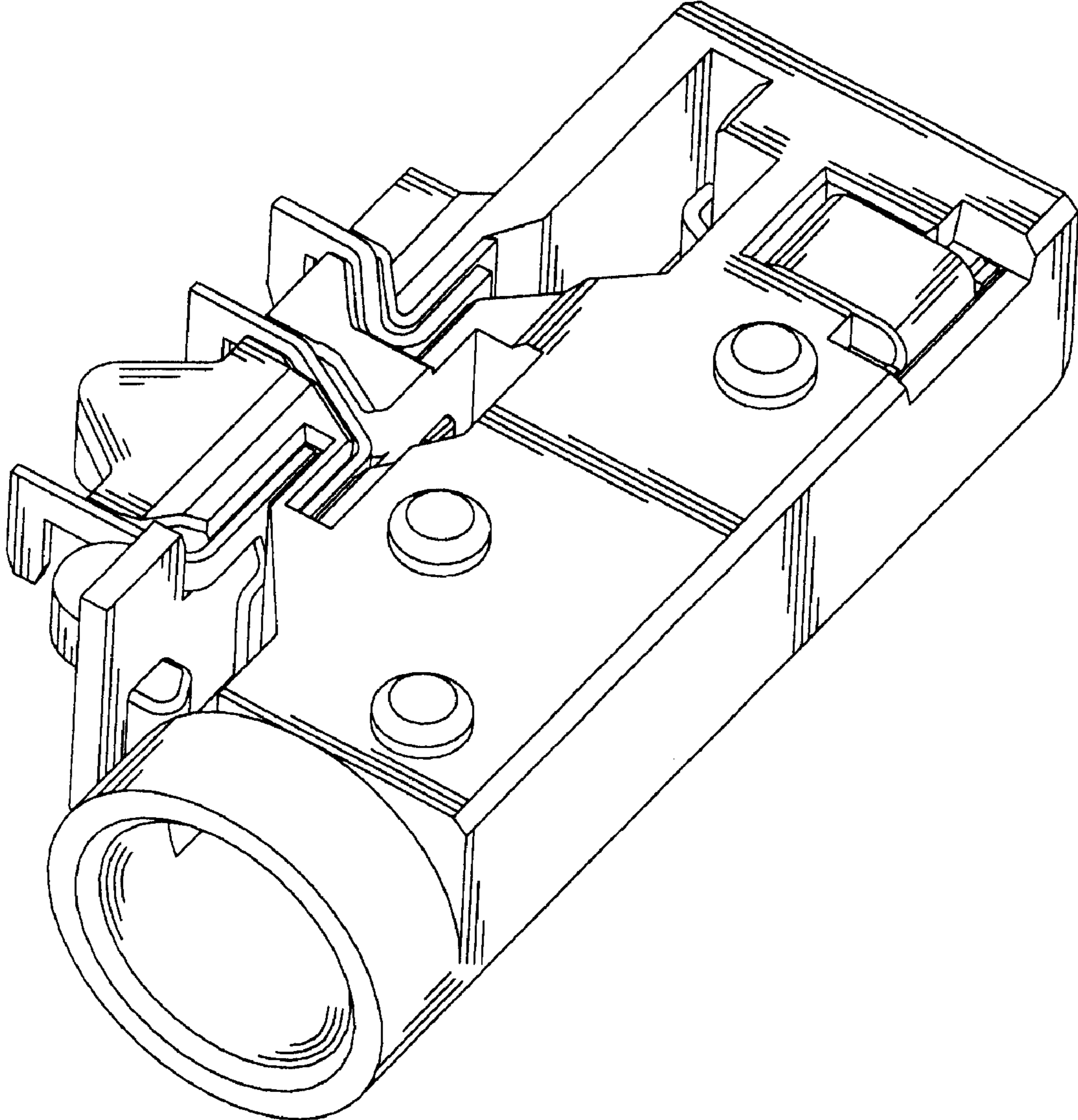


FIG. 1

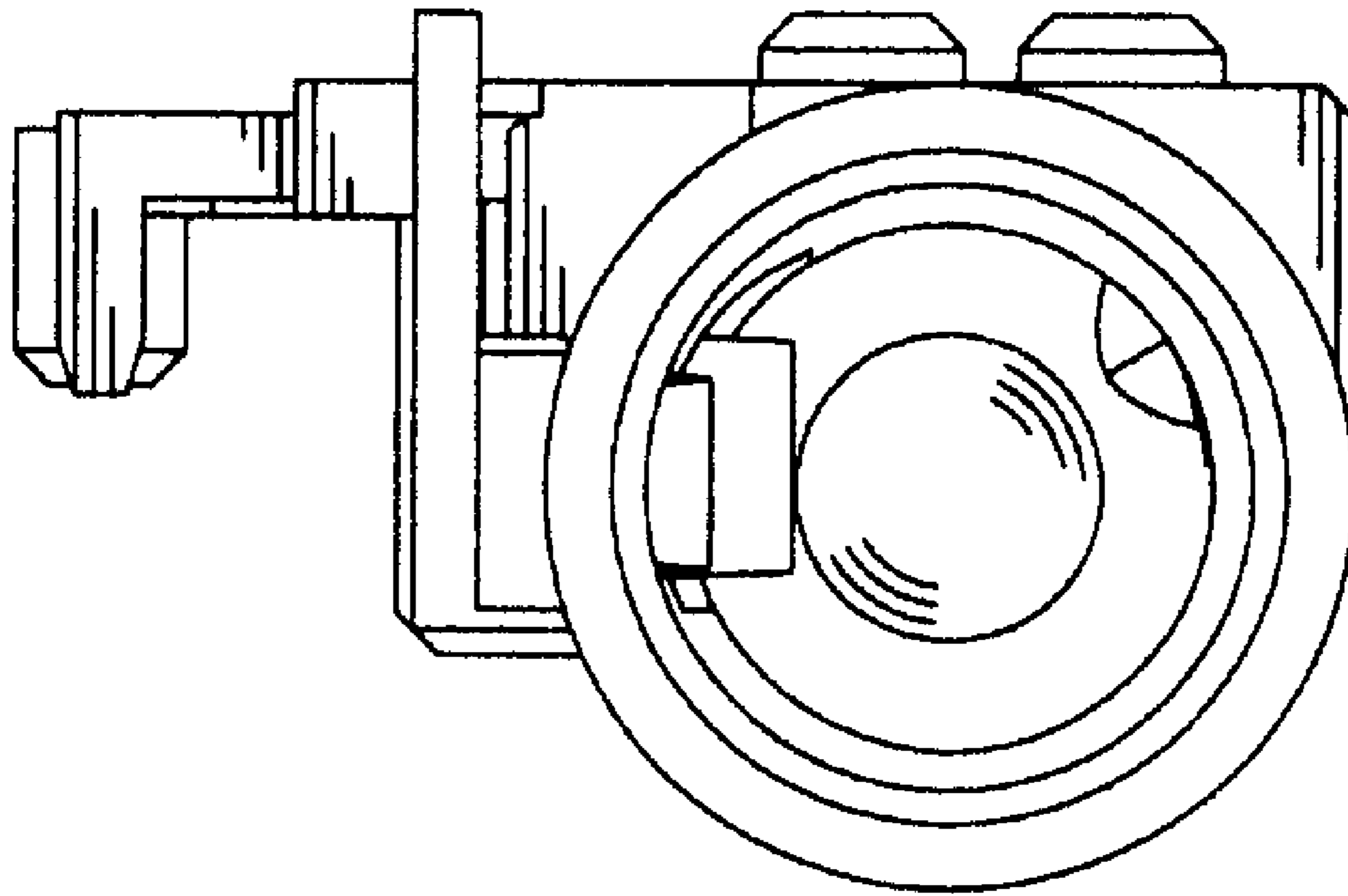


FIG. 2

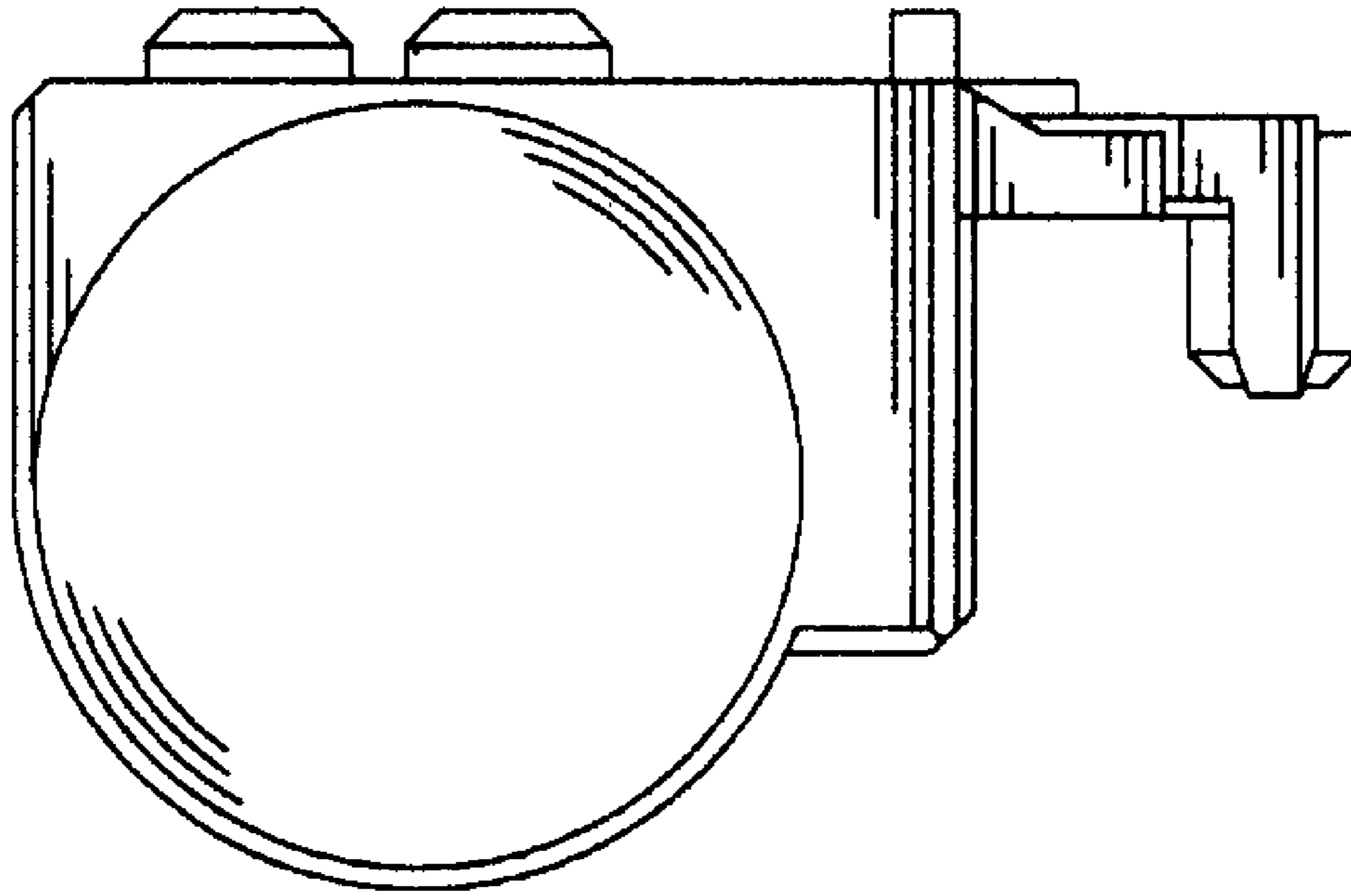


FIG. 3

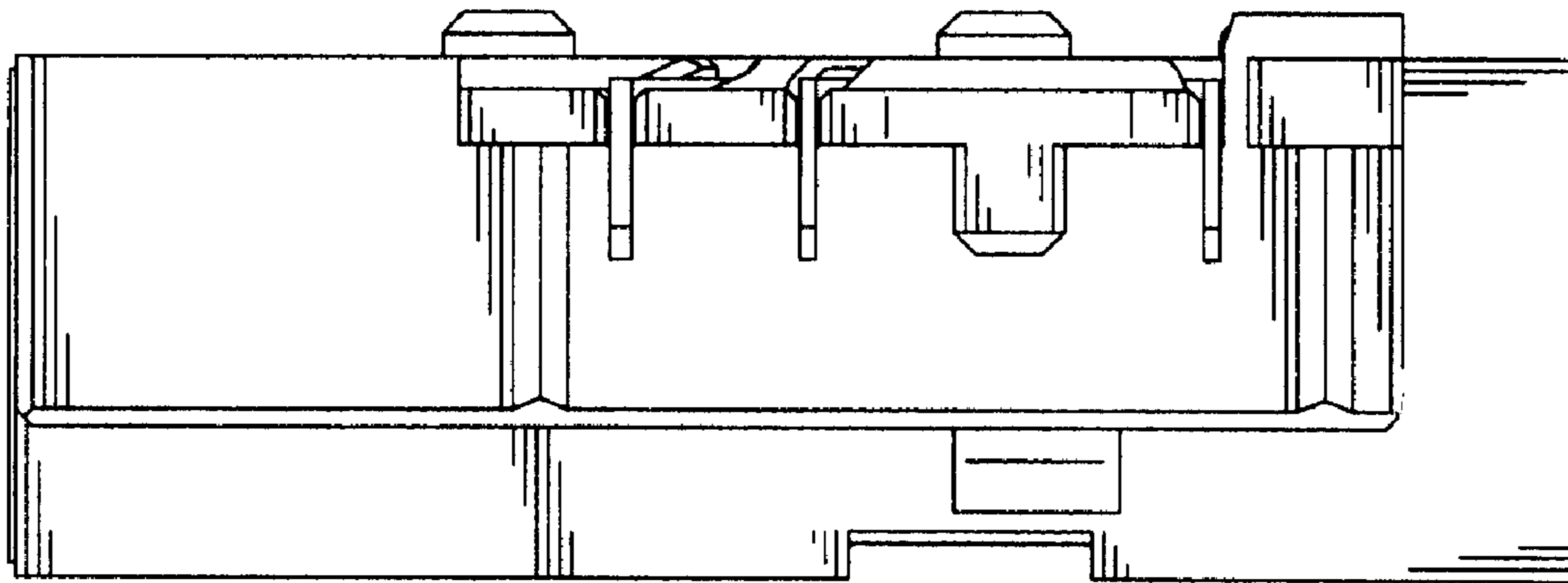


FIG. 4

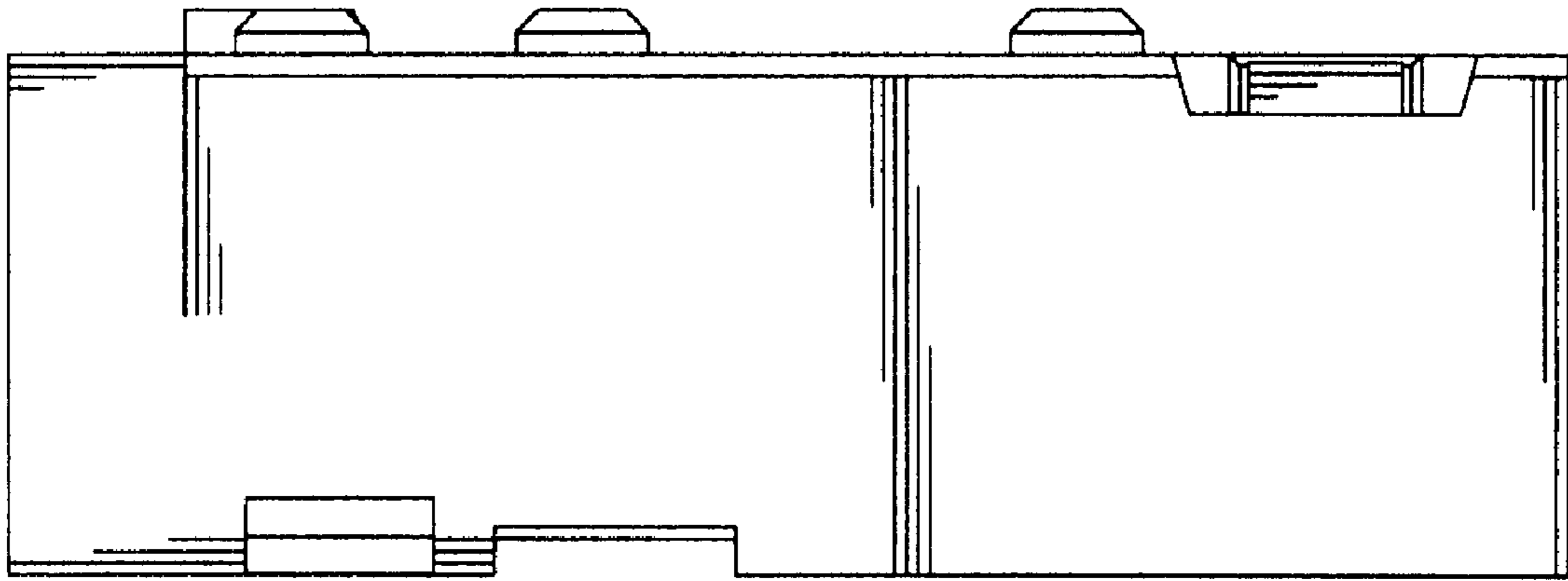


FIG. 5

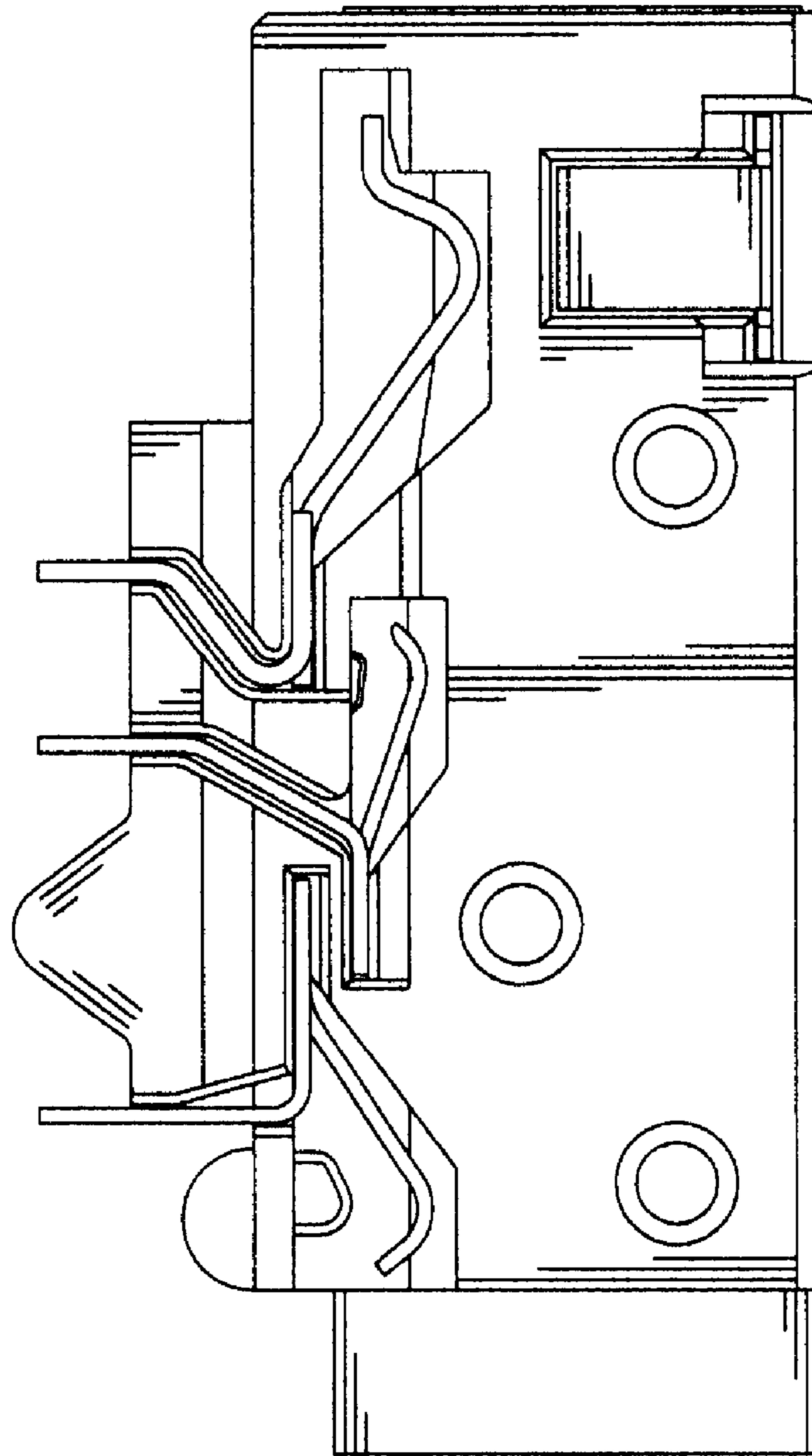


FIG. 6

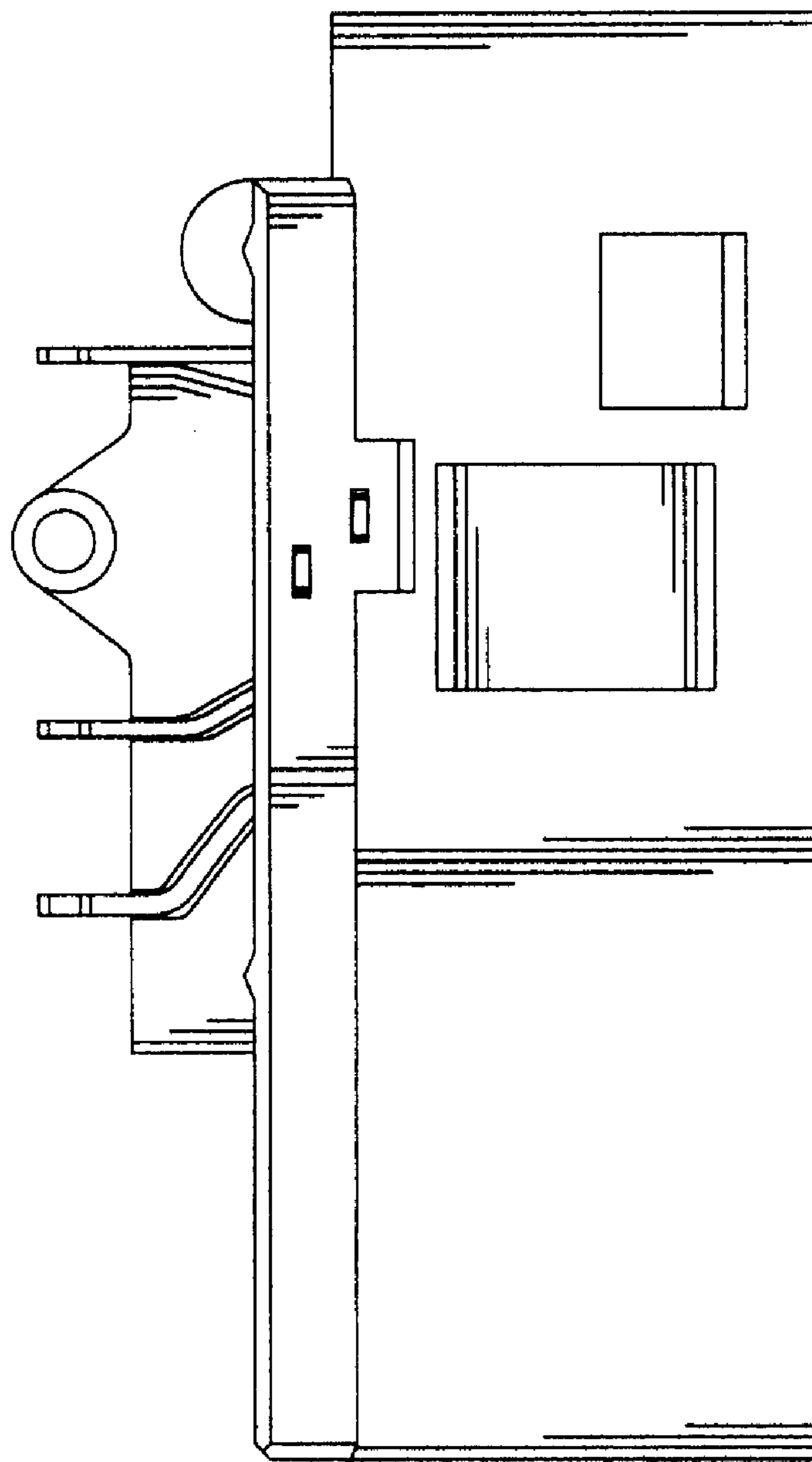


FIG. 7