



US00D535621S

(12) **United States Design Patent**
Shimojo et al.

(10) **Patent No.:** **US D535,621 S**

(45) **Date of Patent:** **** Jan. 23, 2007**

(54) **CONNECTOR**

(75) Inventors: **Yasuhiro Shimojo**, Isesaki (JP);
Youichiro Masaki, Isesaki (JP)

(73) Assignee: **Hosiden Corporation**, Osaka (JP)

(**) Term: **14 Years**

(21) Appl. No.: **29/235,337**

(22) Filed: **Jul. 29, 2005**

(30) **Foreign Application Priority Data**

Feb. 3, 2005 (JP) 2005-002793

(51) **LOC (8) Cl.** **13-03**

(52) **U.S. Cl.** **D13/133**

(58) **Field of Classification Search** D13/133,
D13/146-147, 154, 184, 199; D14/204, 207,
D14/214; 439/278, 527, 709, 715, 717, 721,
439/725, 894, 723-724

See application file for complete search history.

(56) **References Cited**

U.S. PATENT DOCUMENTS

5,021,868 A * 6/1991 Matsuoka 257/689
D444,127 S * 6/2001 Wong D13/146
D472,877 S * 4/2003 Jaag D13/133

D511,766 S * 11/2005 Suzuki D14/214
D520,958 S * 5/2006 Yoneyama et al. D13/158
2001/0035442 A1 * 11/2001 Yokobori 224/197

* cited by examiner

Primary Examiner—Prabhakar Deshmukh

Assistant Examiner—Daniel Bui

(74) *Attorney, Agent, or Firm*—Akin Gump Strauss Hauer
& Feld, LLP

(57) **CLAIM**

The ornamental design for a connector, as shown and described.

DESCRIPTION

FIG. 1 is a top, front and left side perspective view of a connector, showing our new design;

FIG. 2 is a bottom, front and right side perspective view thereof;

FIG. 3 is a front elevation view thereof; the rear elevation view is identical thereto;

FIG. 4 is a left side elevation view thereof; the right side elevation view is identical thereto;

FIG. 5 is a top plan view thereof; and,

FIG. 6 is a bottom plan view thereof.

A rear view and a right side view appear identical to the front view and the left side view, respectively.

1 Claim, 3 Drawing Sheets

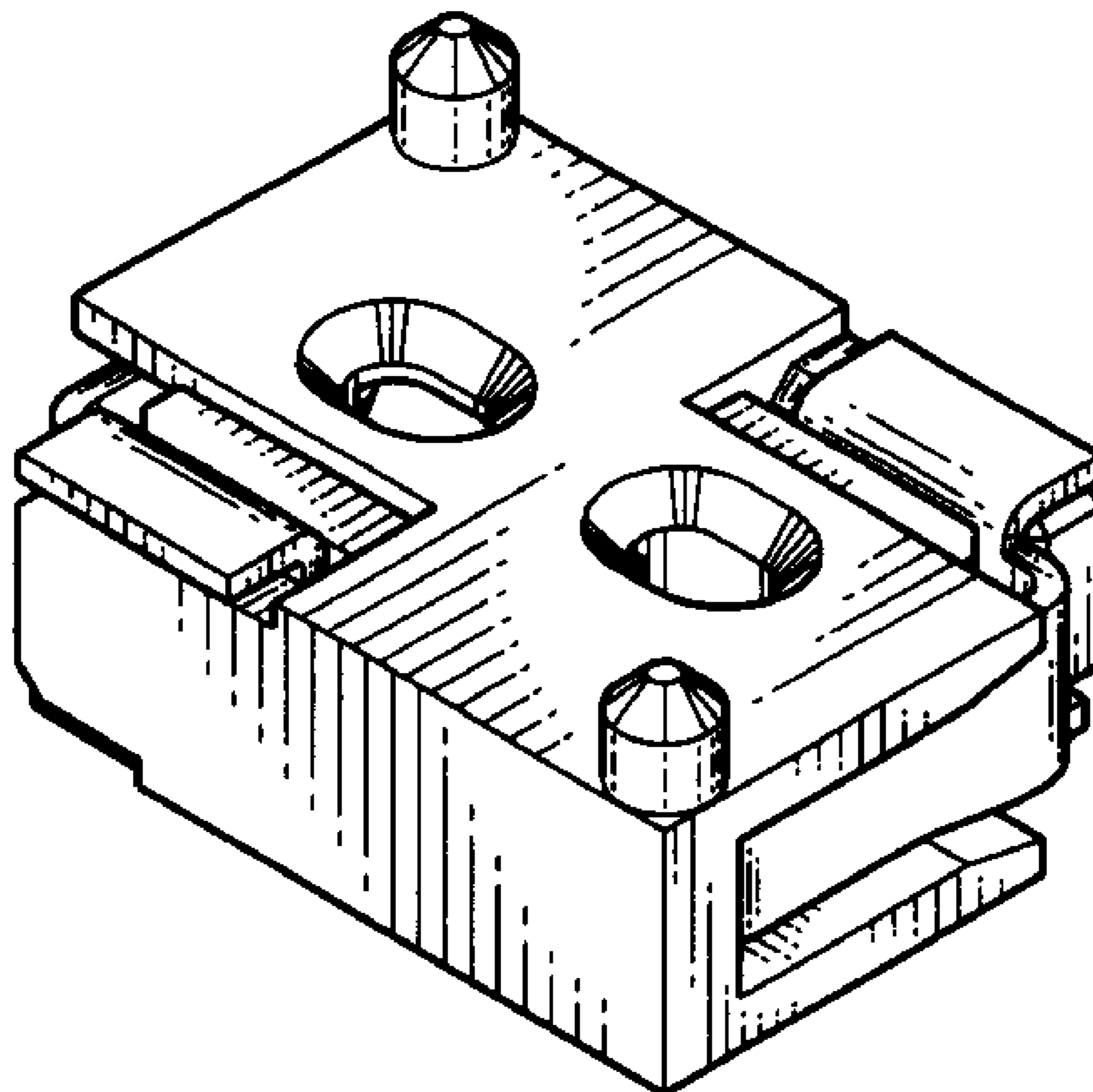


Fig. 1

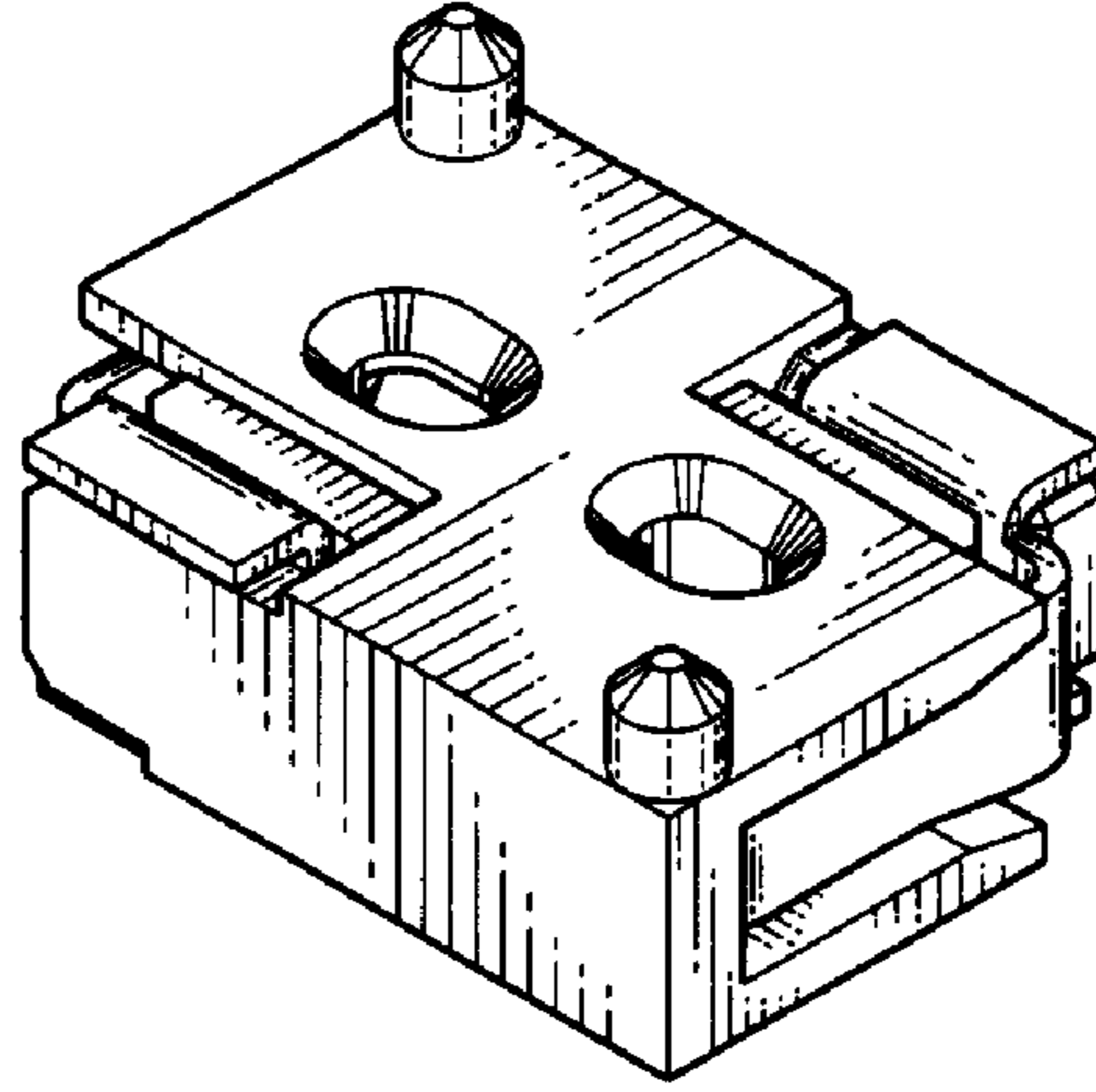


Fig. 2

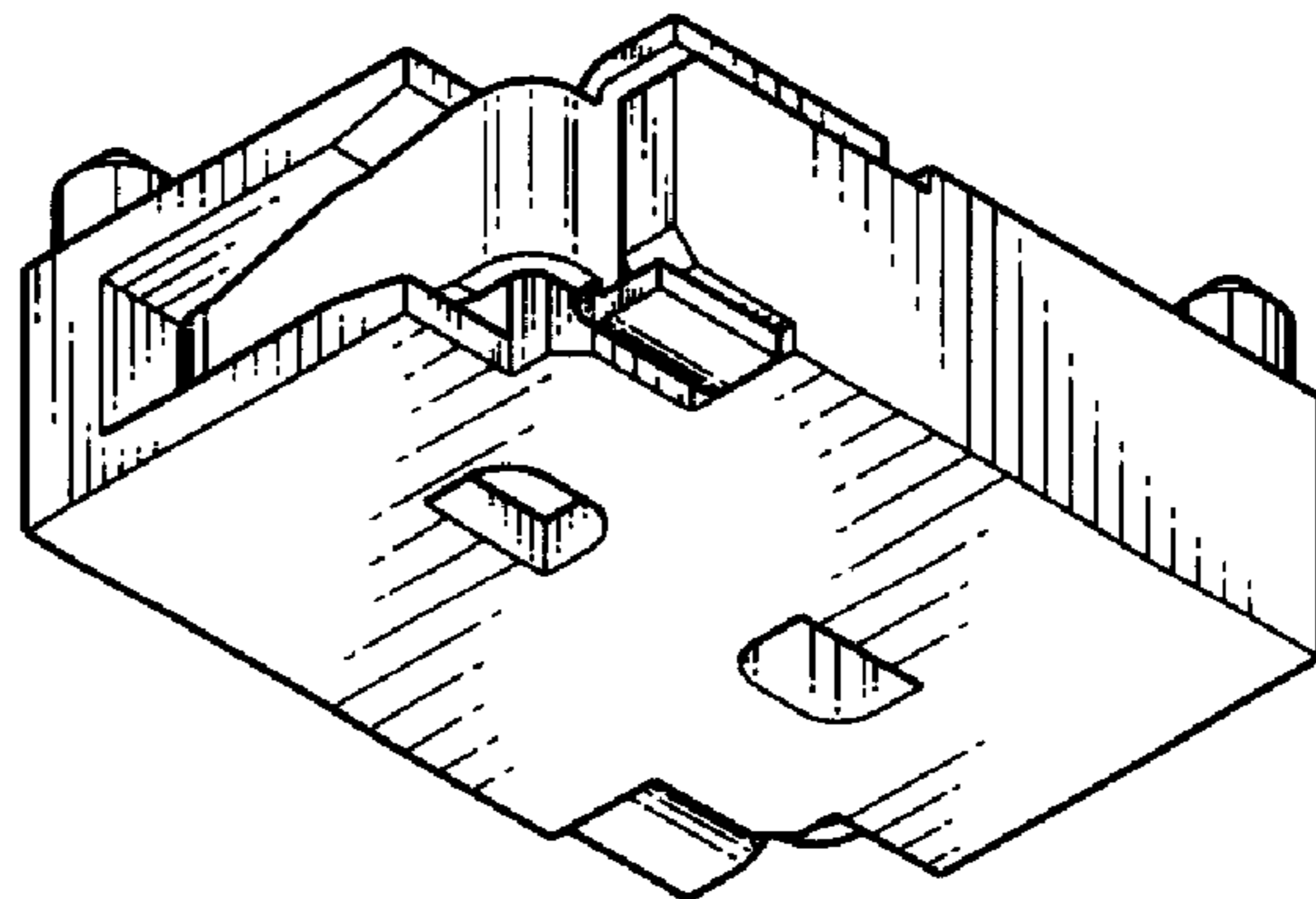


Fig. 3



Fig. 4

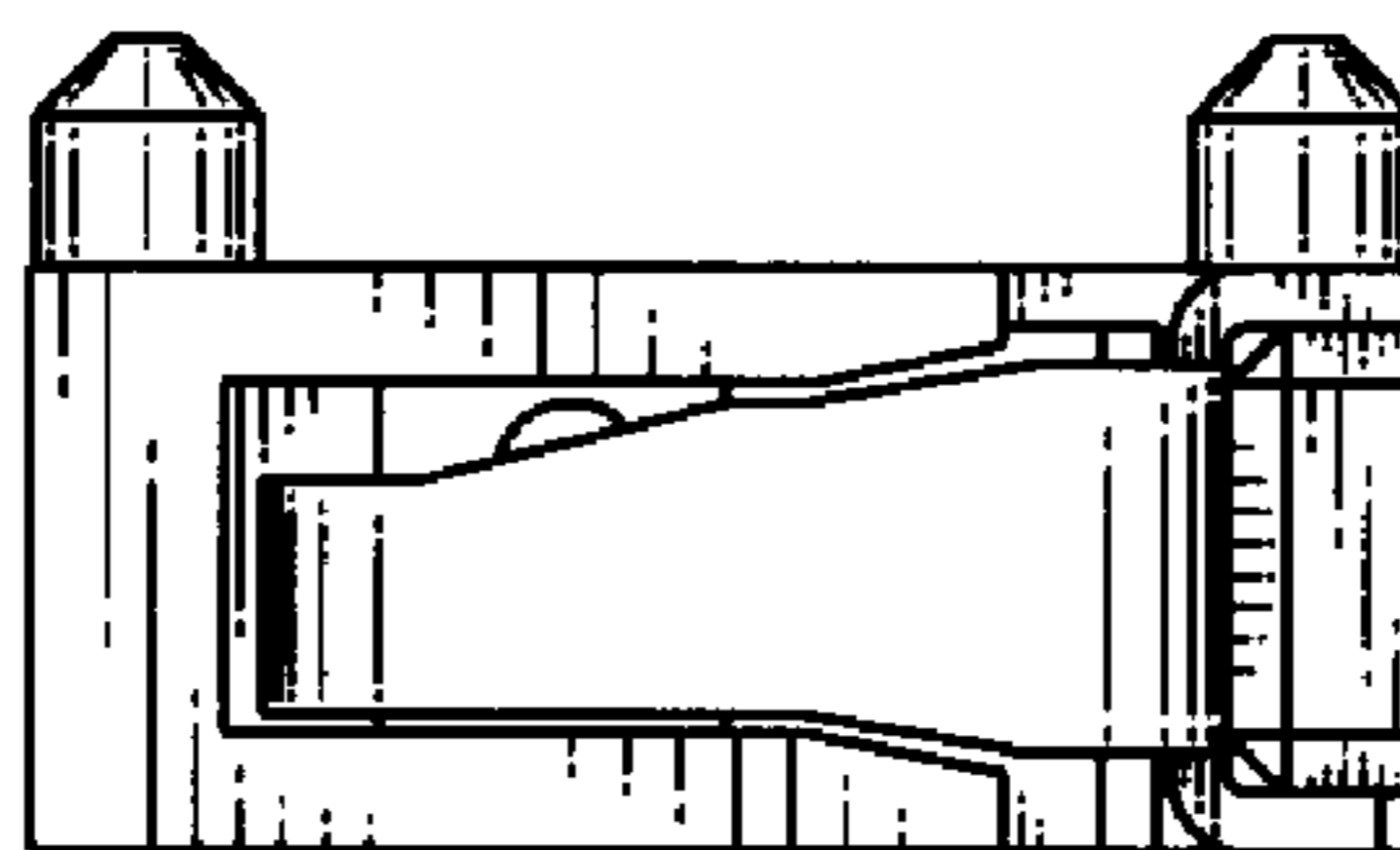


Fig. 5

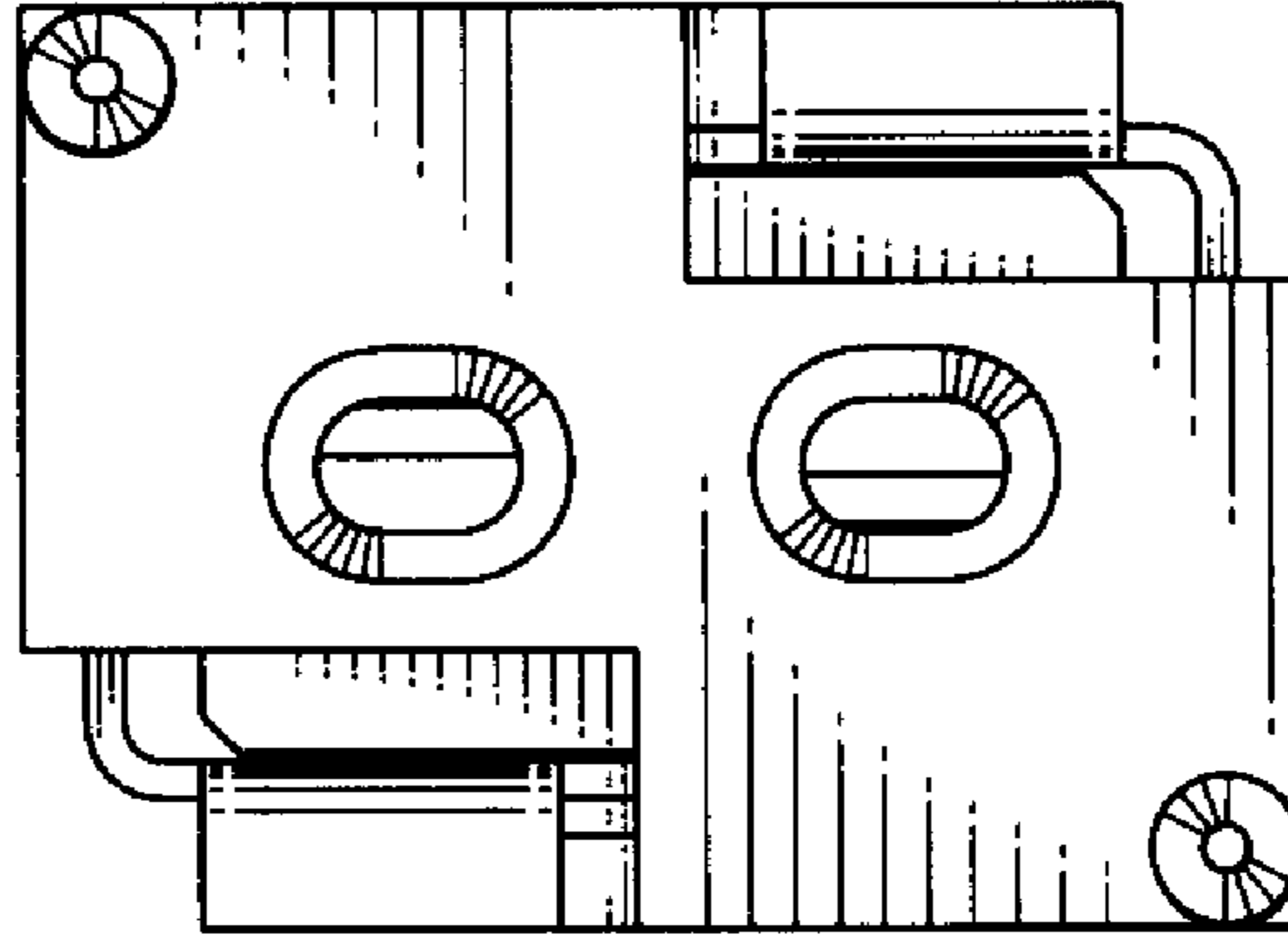


Fig. 6

