



US00D535620S

(12) **United States Design Patent**
Mace et al.

(10) **Patent No.:** **US D535,620 S**
(45) **Date of Patent:** **** Jan. 23, 2007**

(54) **ELECTRICAL CONNECTOR**

(75) Inventors: **Brad Mace**, Spring Grove, IL (US);
Tsuyoshi Osada, Farmington Hills, MI (US)

(73) Assignee: **J.S.T. Corporation**, Farmington Hills, MI (US)

(**) Term: **14 Years**

(21) Appl. No.: **29/226,753**

(22) Filed: **Mar. 31, 2005**

(51) **LOC (8) Cl.** **13-03**

(52) **U.S. Cl.** **D13/133**

(58) **Field of Classification Search** D13/133,
D13/146-147, 154, 184, 199; 439/83, 188,
439/278, 297, 489, 595, 598, 685, 752, 871,
439/894

See application file for complete search history.

(56) **References Cited**

U.S. PATENT DOCUMENTS

5,044,972	A	*	9/1991	Ikeda	439/268
5,055,058	A	*	10/1991	Nagasaka et al.	439/188
5,971,815	A	*	10/1999	Polgar et al.	439/752
D461,769	S	*	8/2002	Kuroda et al.	D13/133
D473,847	S	*	4/2003	Nakayama	D13/146

* cited by examiner

Primary Examiner—Prabhakar Deshmukh

Assistant Examiner—Daniel Bui

(74) *Attorney, Agent, or Firm*—Osha Liang LLP

(57) **CLAIM**

The ornamental design for an electrical connector, as shown and described.

DESCRIPTION

FIG. 1 is a top, front and right side perspective view of the first embodiment of an electrical connector, showing our new design;

FIG. 2 is a right side elevation view thereof;

FIG. 3 is a left side elevation view thereof;

FIG. 4 is a front elevation view thereof;

FIG. 5 is a rear elevation view thereof;

FIG. 6 is a top plan view thereof;

FIG. 7 is a bottom plan view thereof;

FIG. 8 is a top, front and right side perspective view of the second embodiment of an electrical connector, showing our new design;

FIG. 9 is a right side elevation view thereof;

FIG. 10 is a left side elevation view thereof;

FIG. 11 is a front elevation view thereof;

FIG. 12 is a rear elevation view thereof;

FIG. 13 is a top plan view thereof;

FIG. 14 is a bottom plan view thereof;

FIG. 15 is a top, front and right side perspective view of the third embodiment of an electrical connector, showing our new design;

FIG. 16 is a right side elevation view thereof;

FIG. 17 is a left side elevation view thereof;

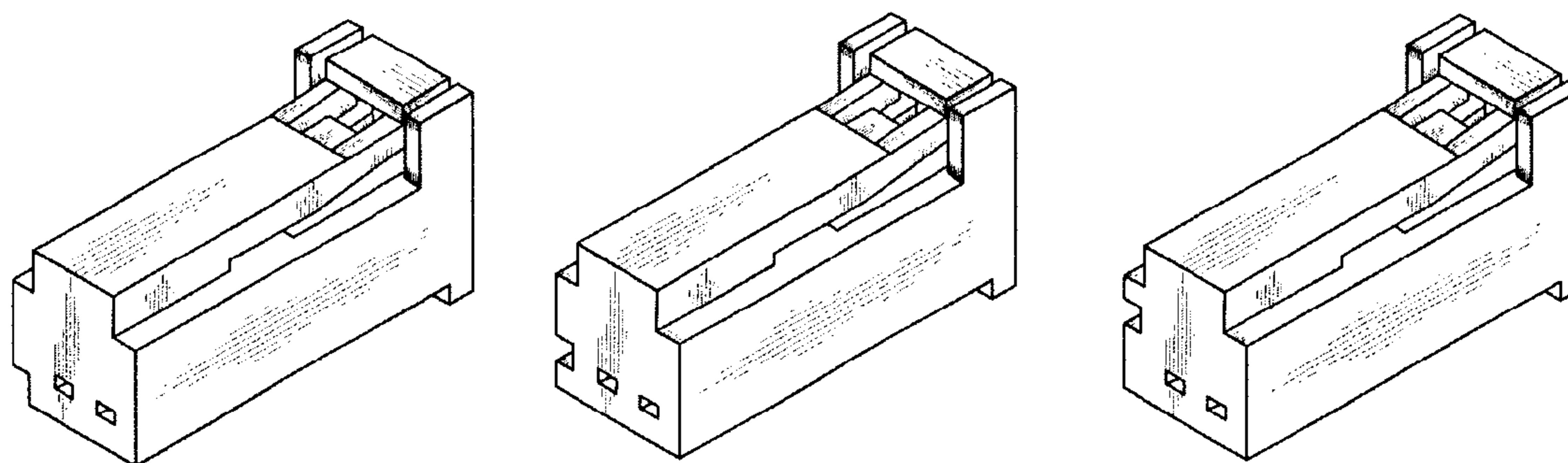
FIG. 18 is a front elevation view thereof;

FIG. 19 is a rear elevation view thereof;

FIG. 20 is a top plan view thereof; and,

FIG. 21 is a bottom plan view thereof.

1 Claim, 3 Drawing Sheets



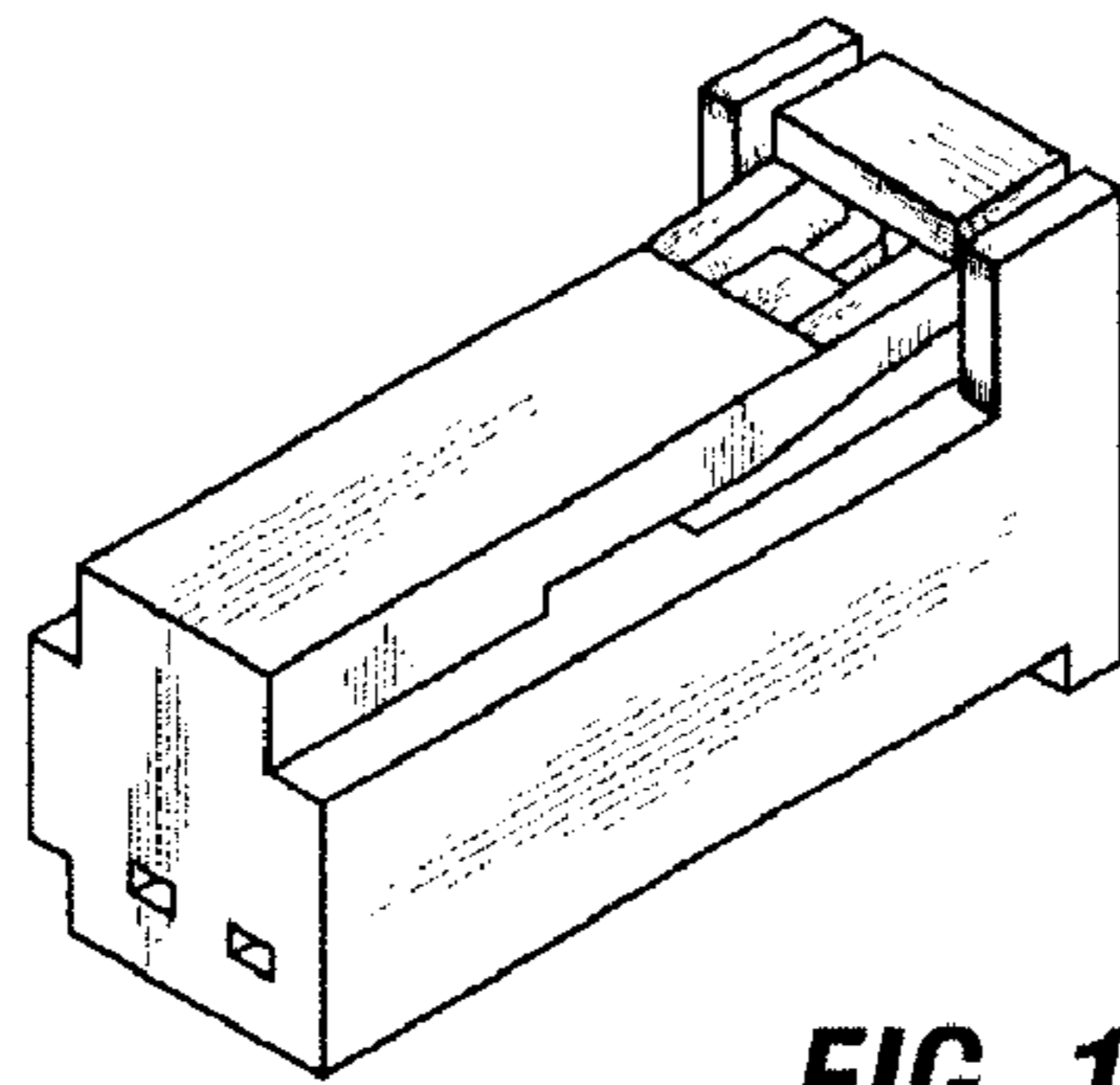


FIG. 1

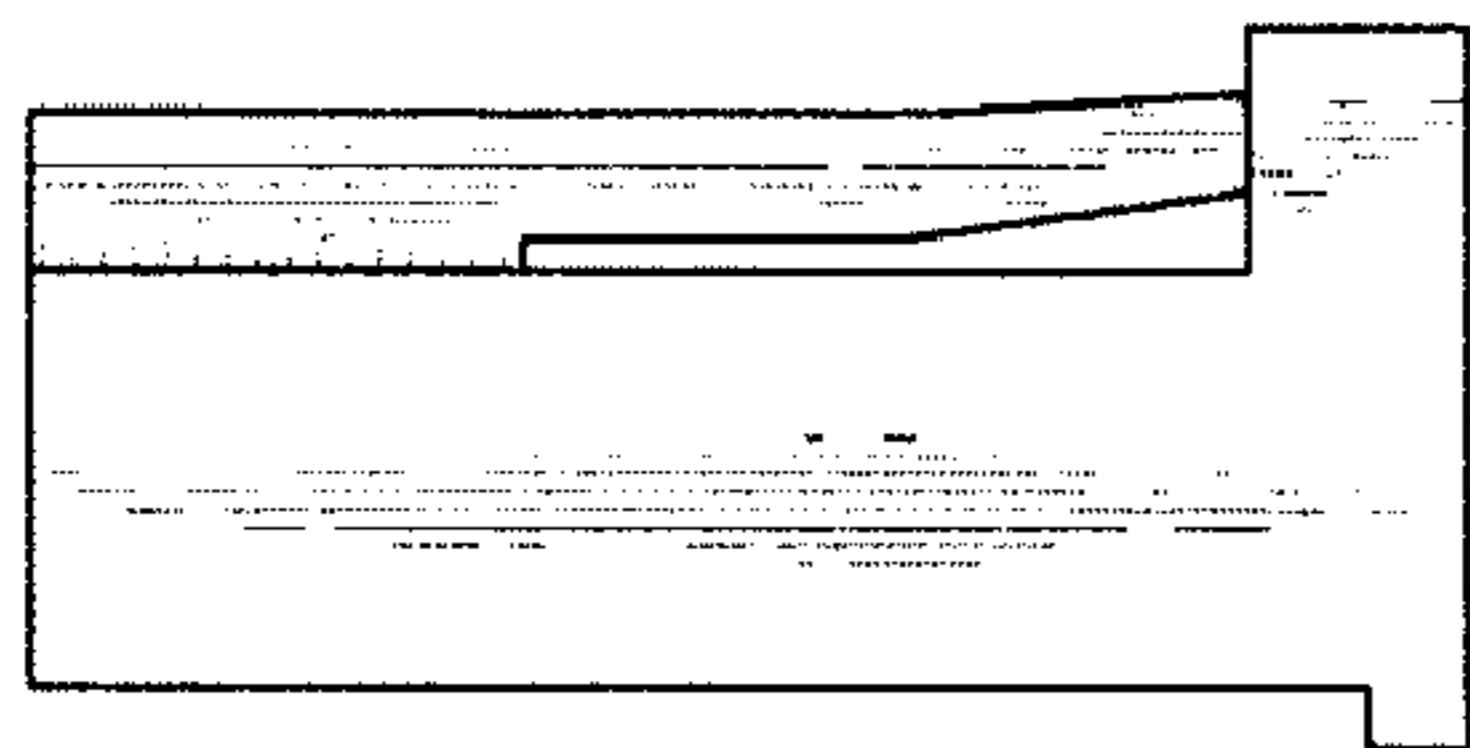


FIG. 2

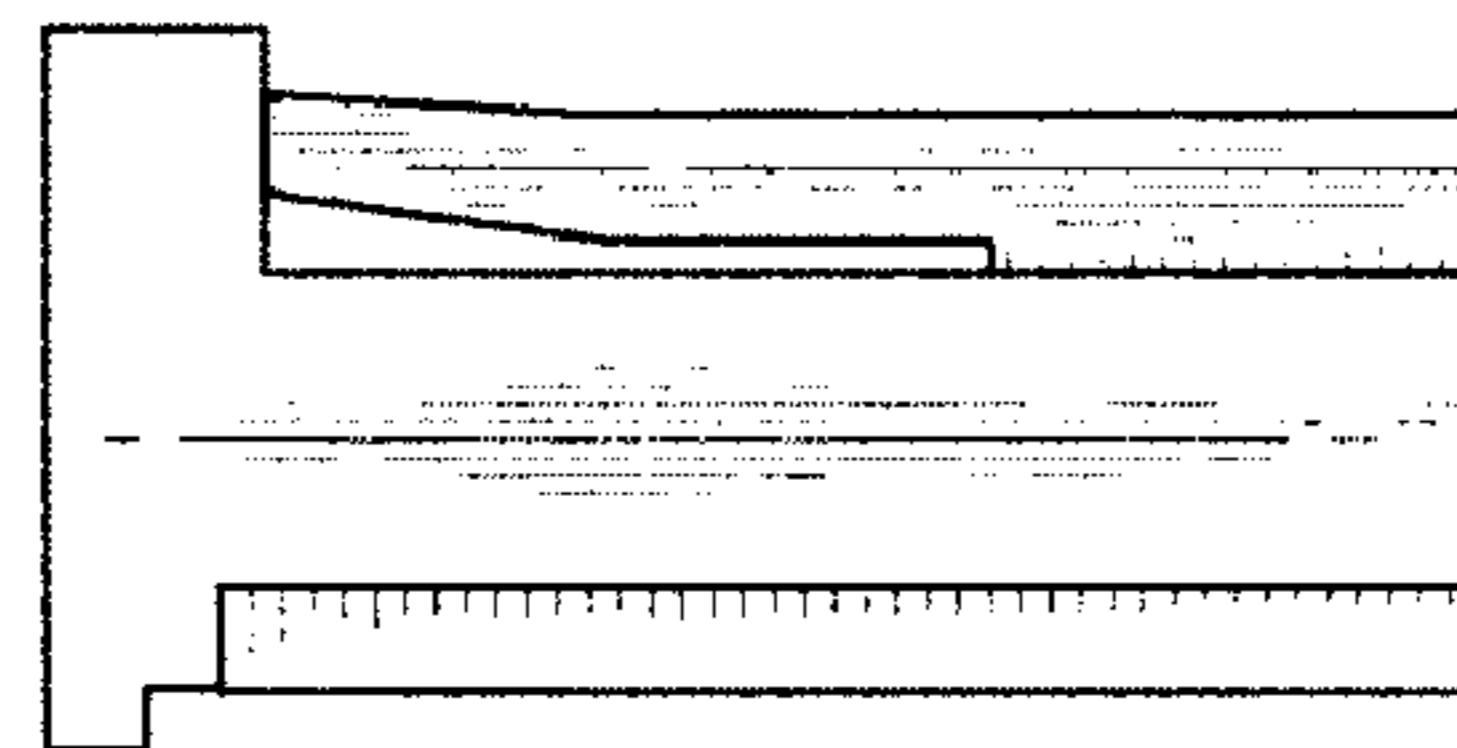


FIG. 3

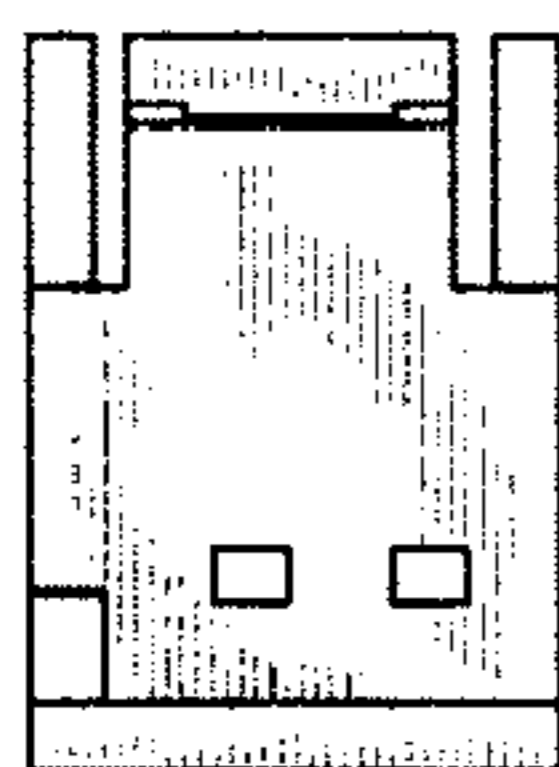


FIG. 4

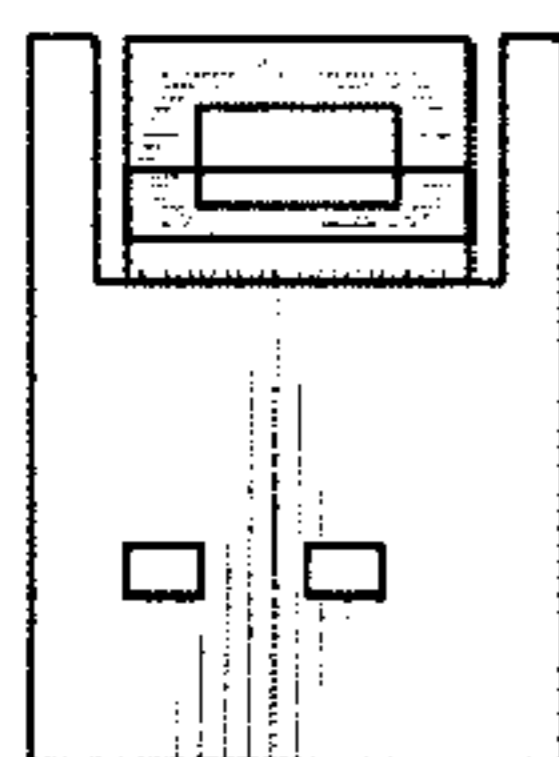


FIG. 5

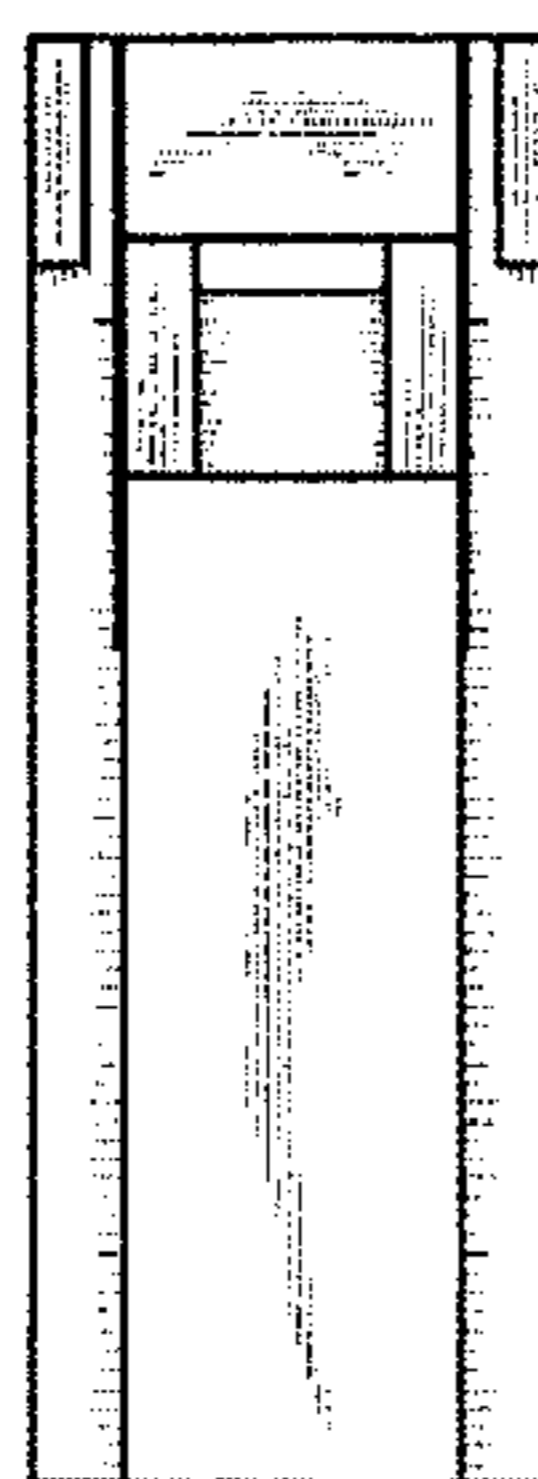


FIG. 6

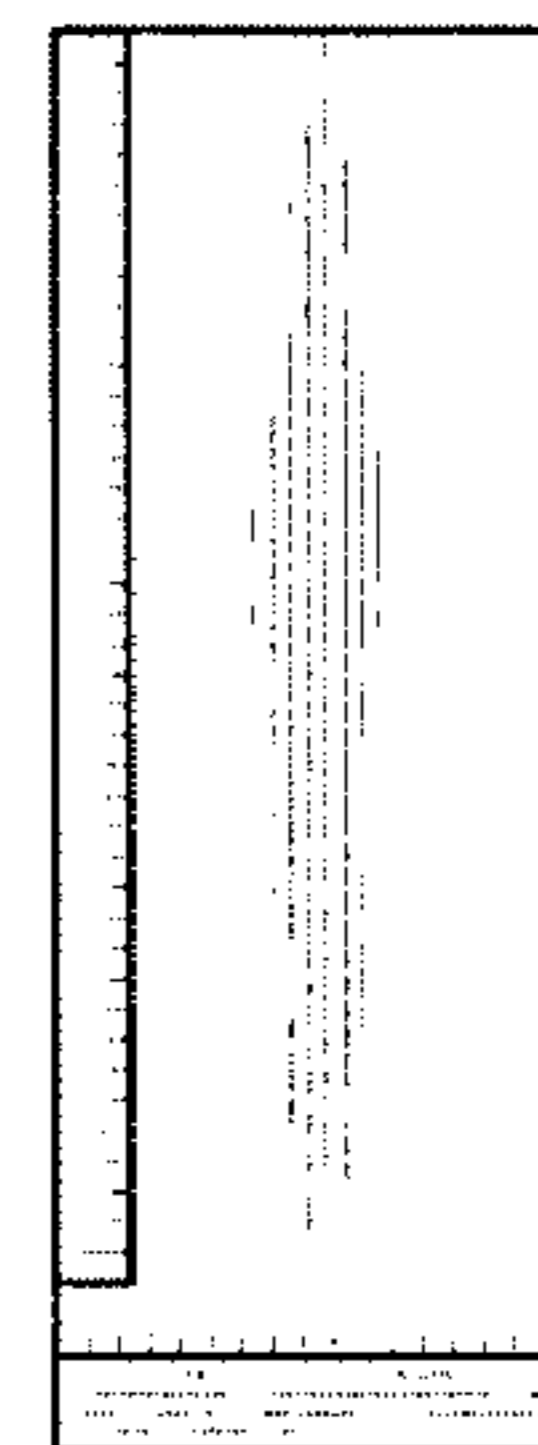


FIG. 7

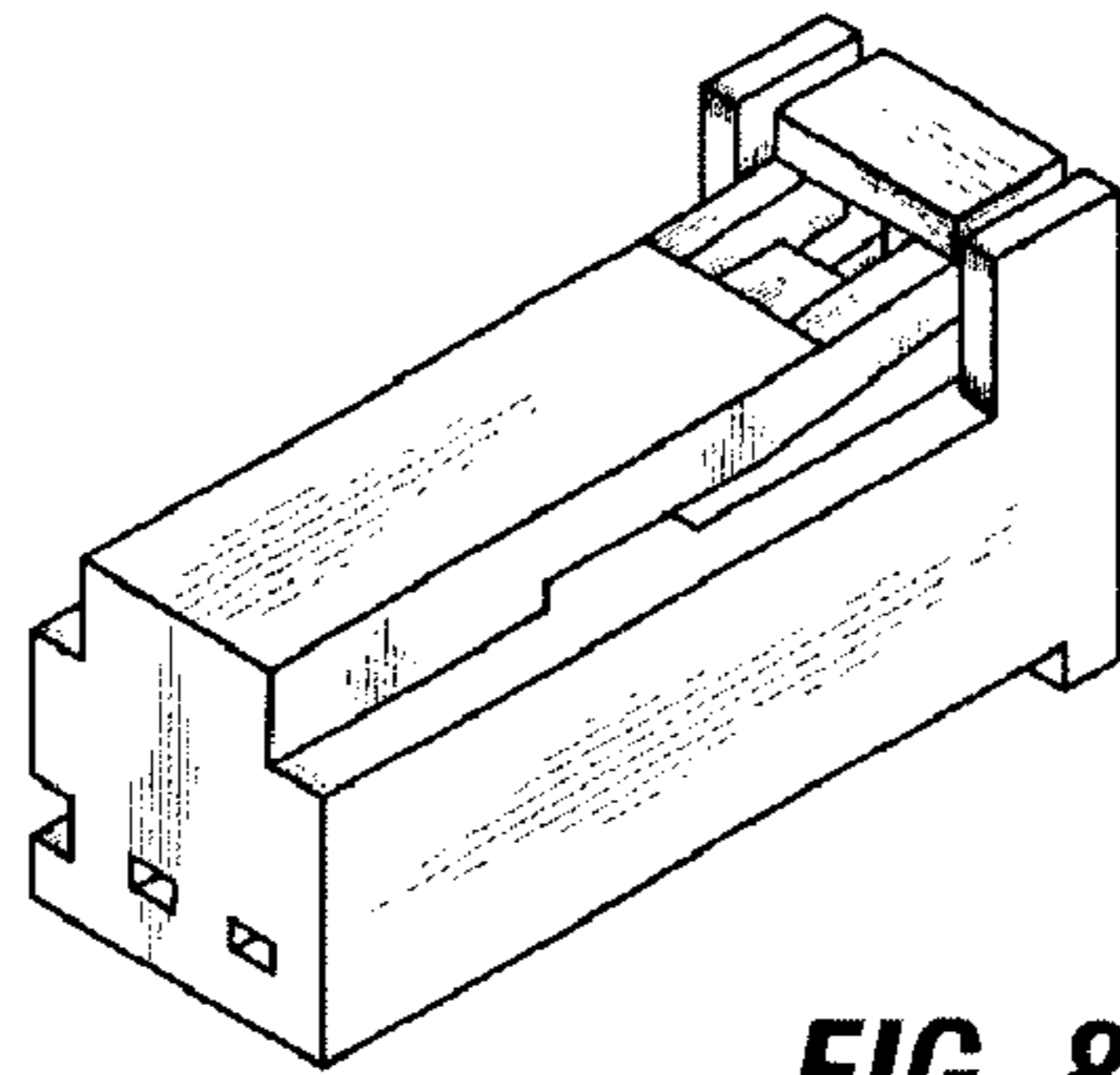


FIG. 8

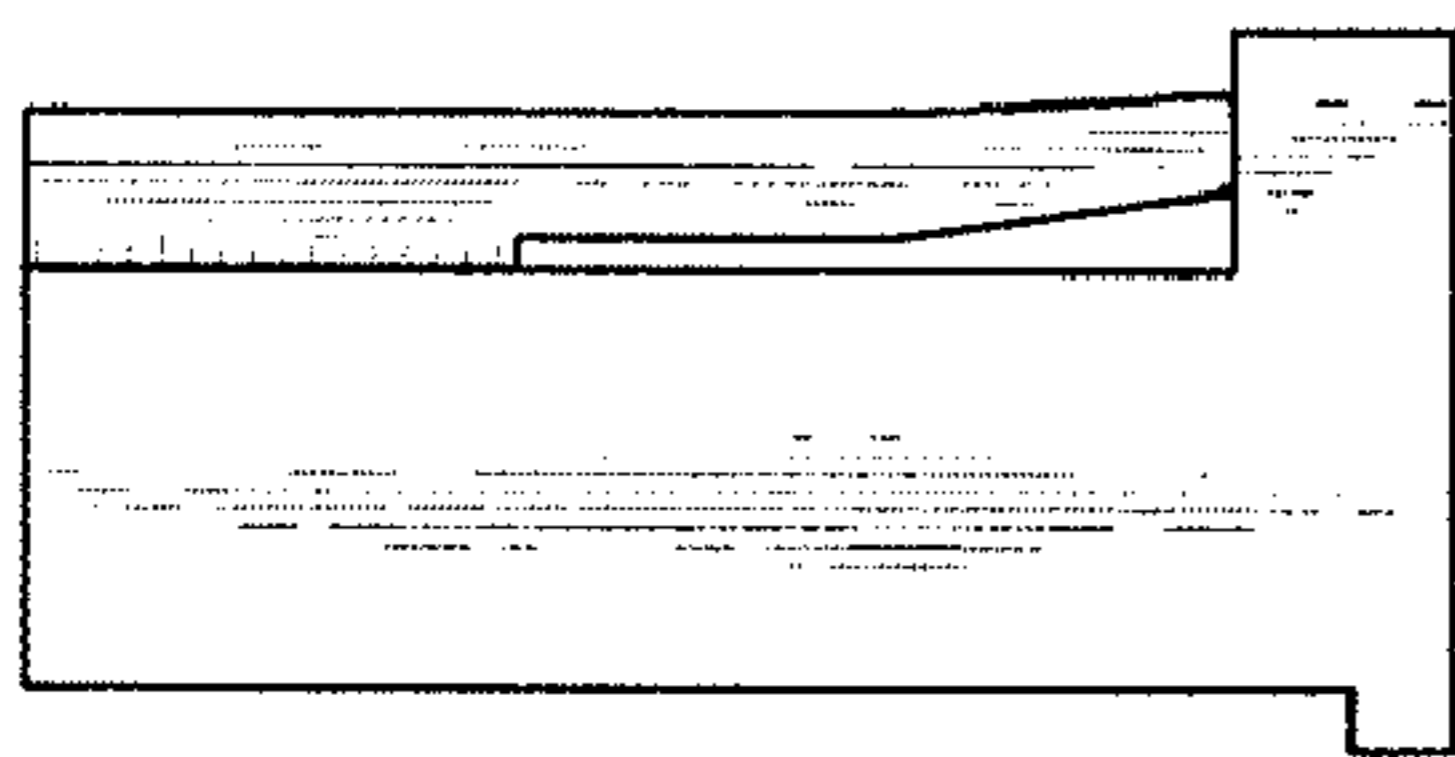


FIG. 9

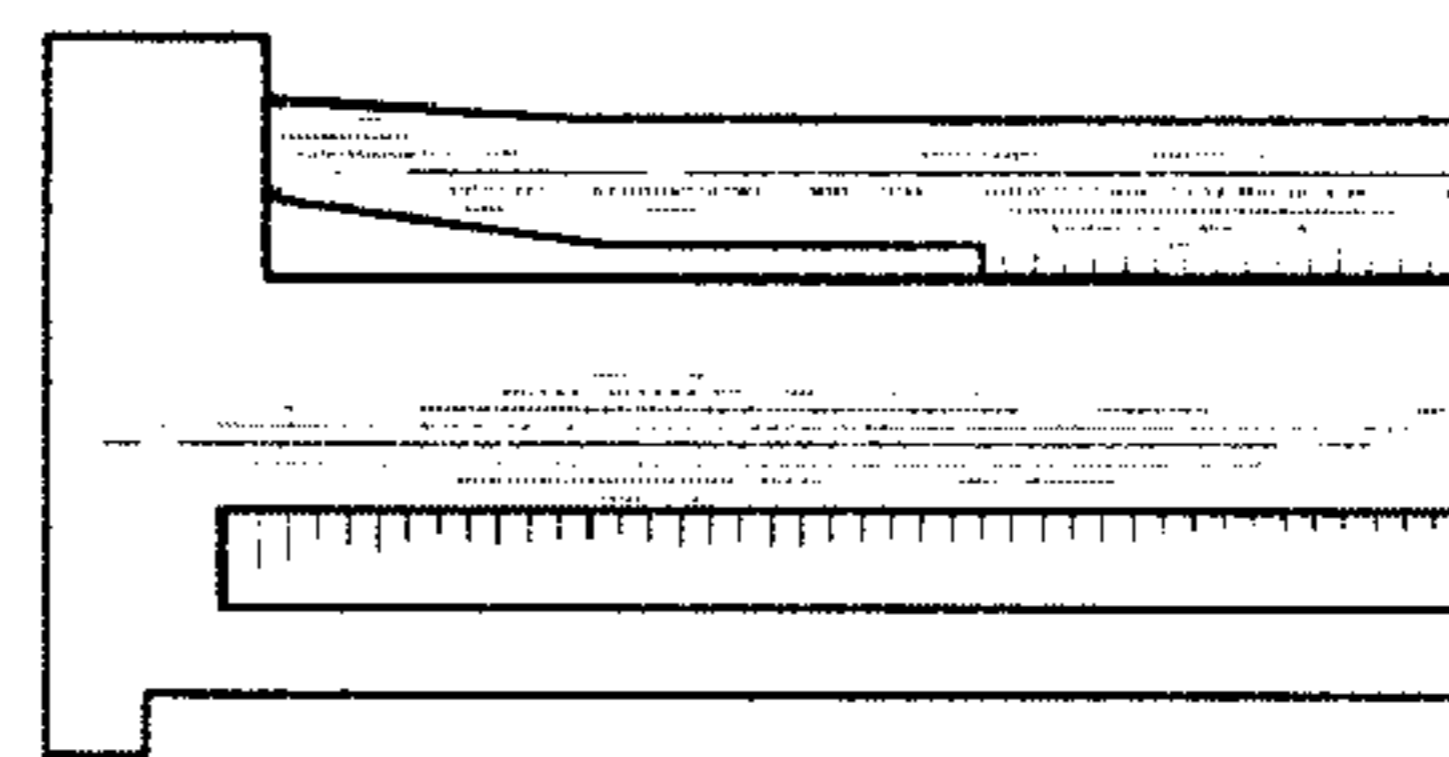


FIG. 10

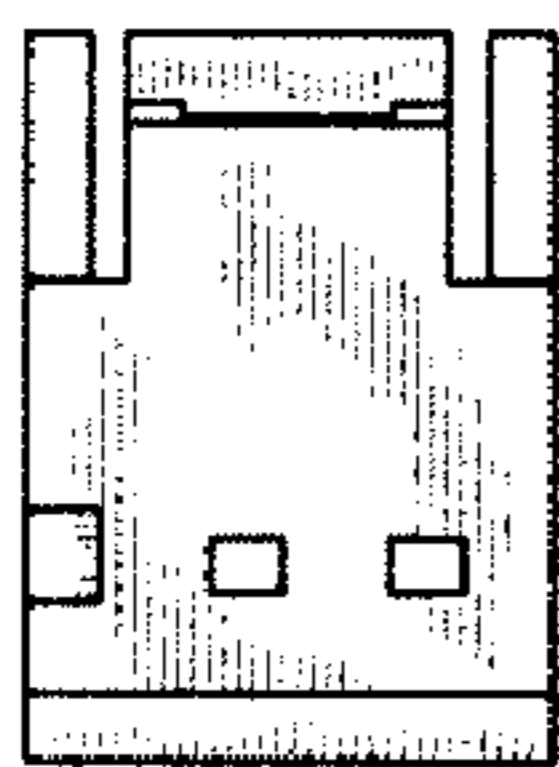


FIG. 11

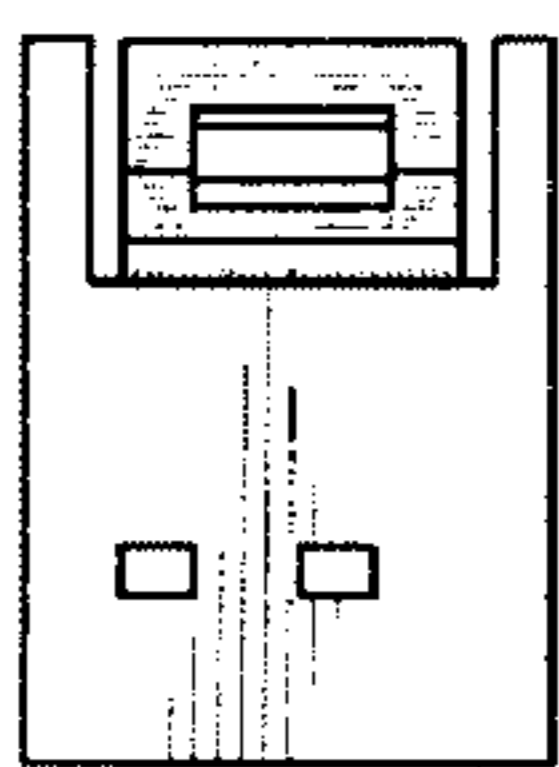


FIG. 12

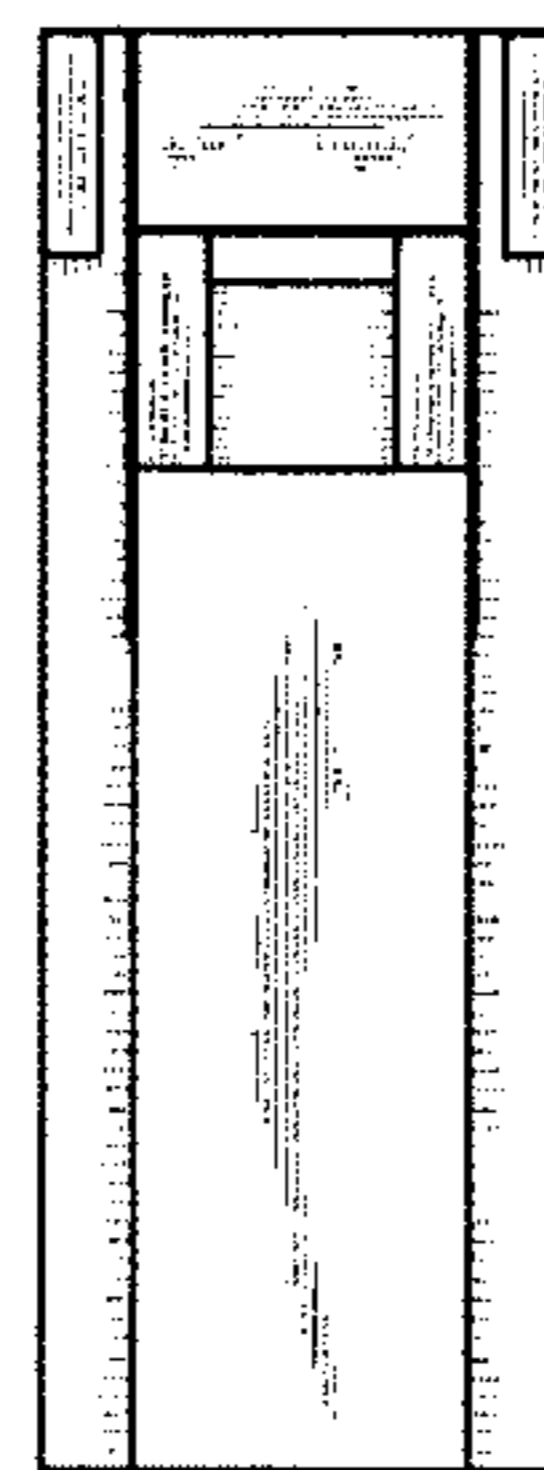


FIG. 13

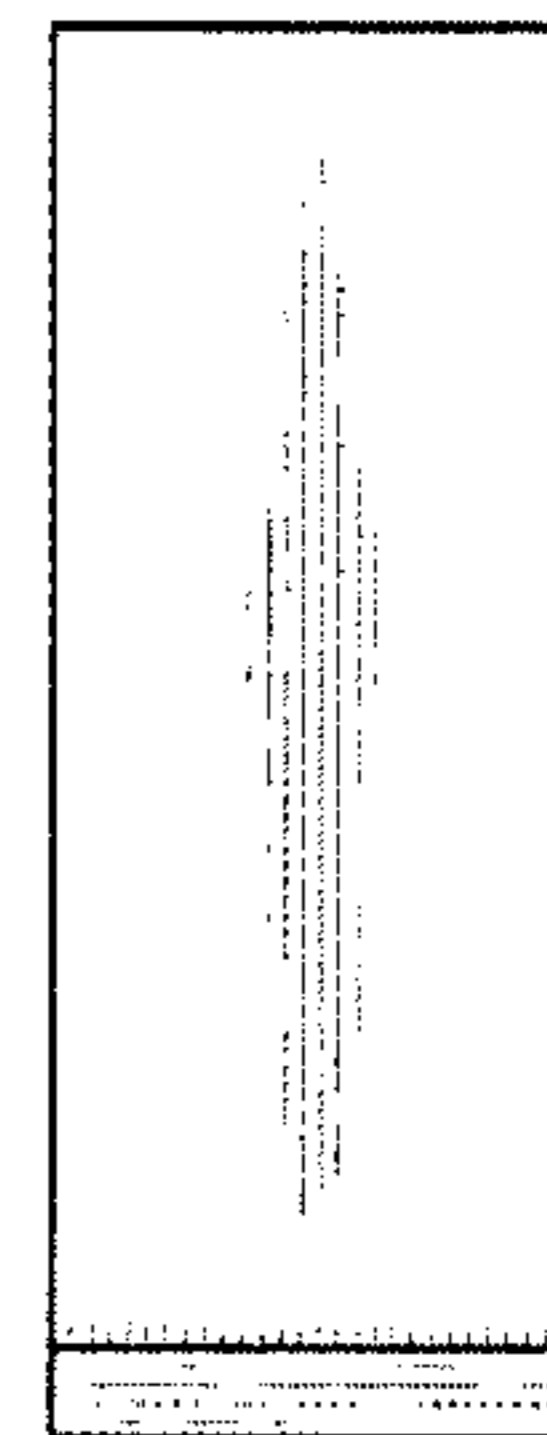


FIG. 14

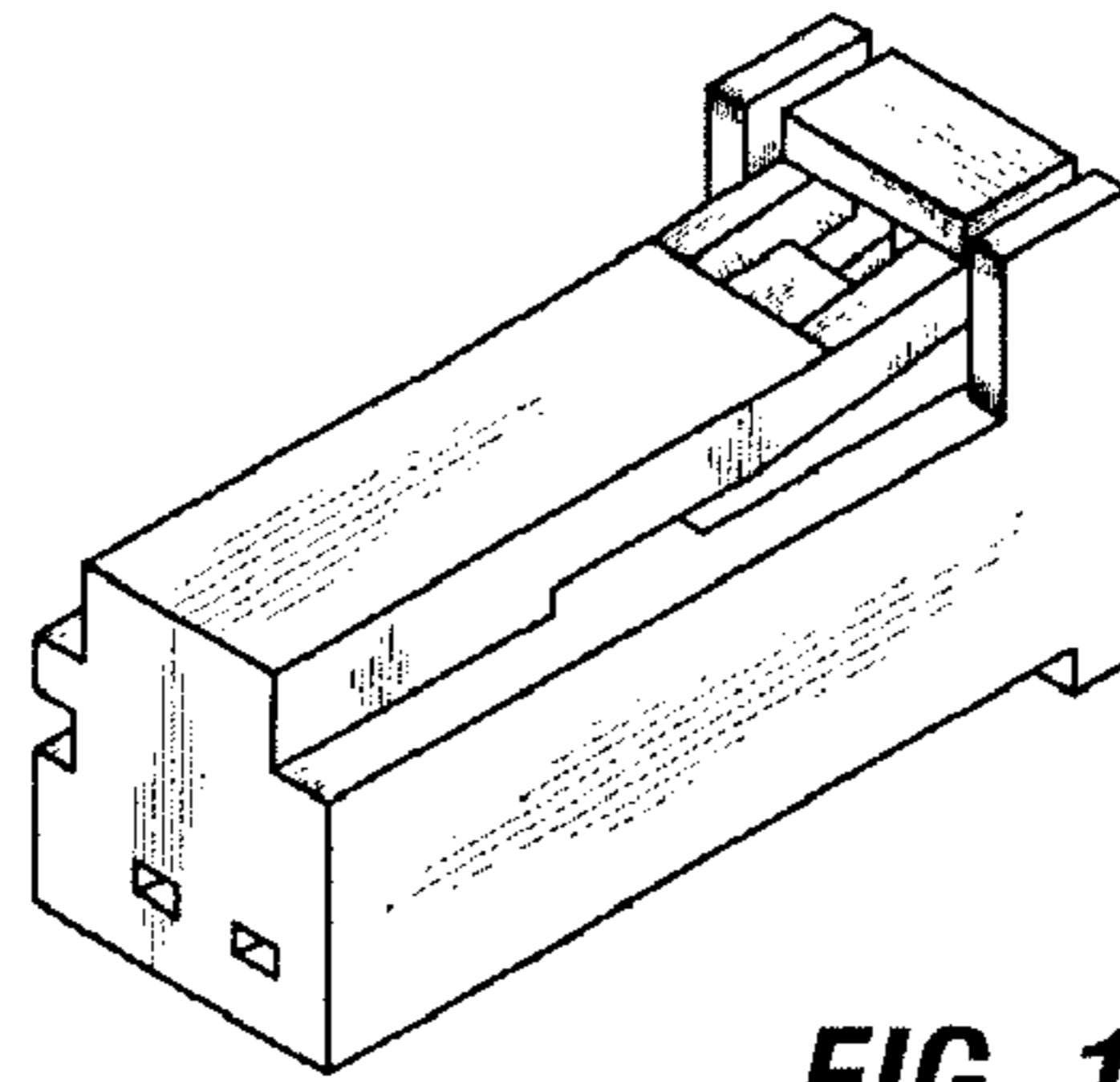


FIG. 15

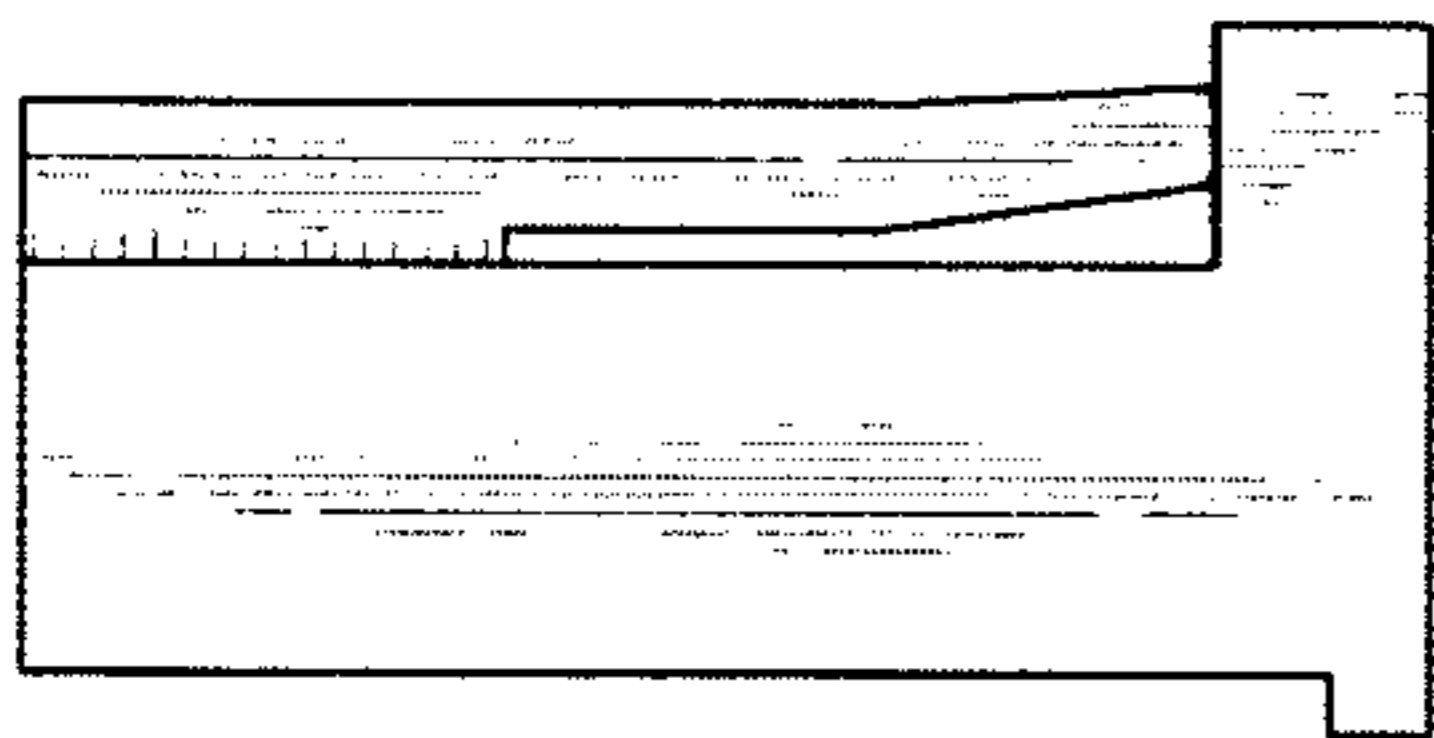


FIG. 16

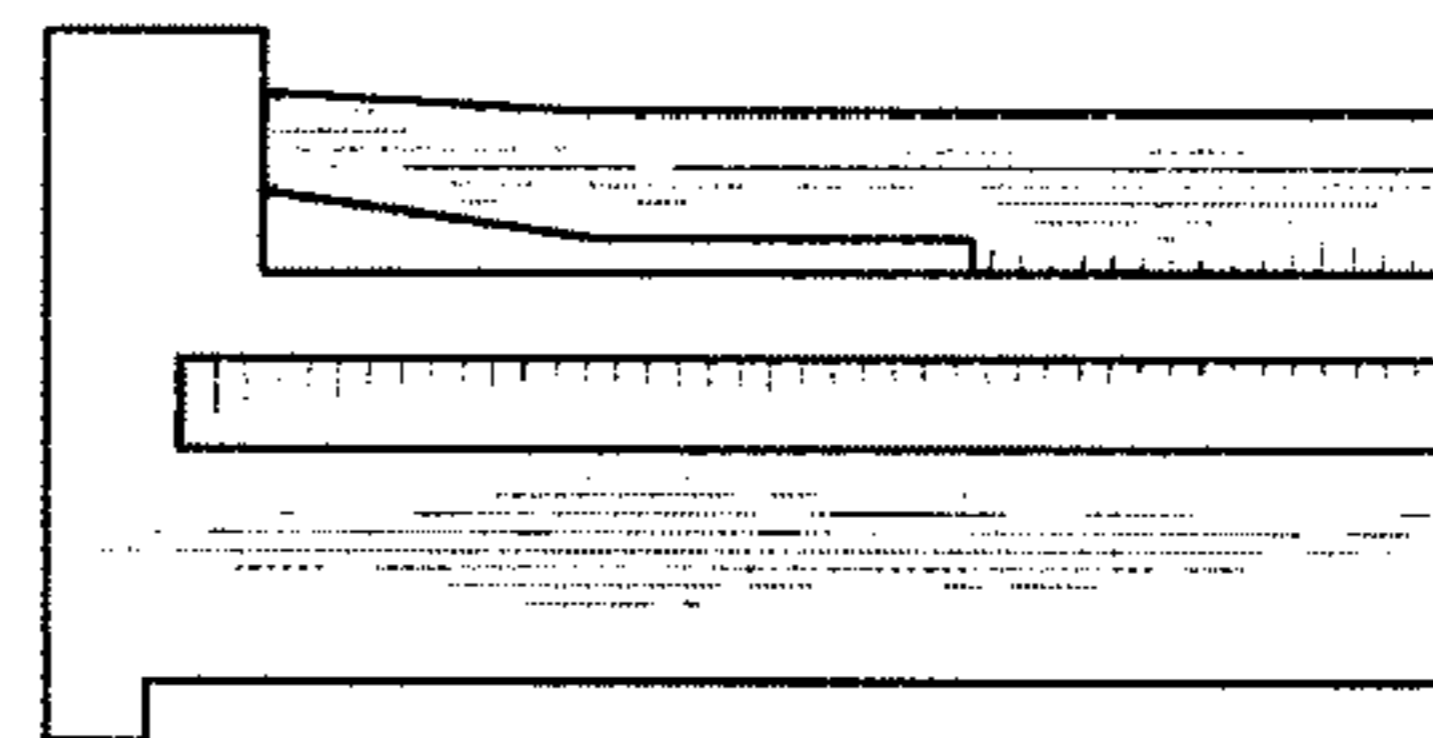


FIG. 17

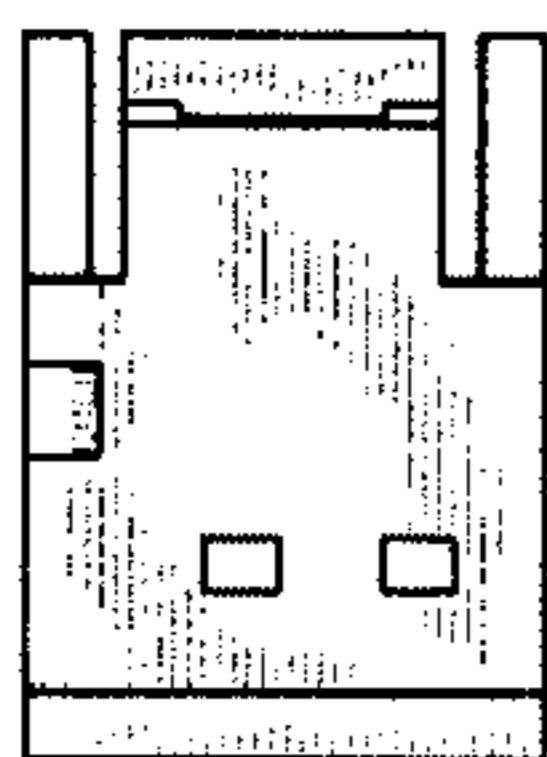


FIG. 18

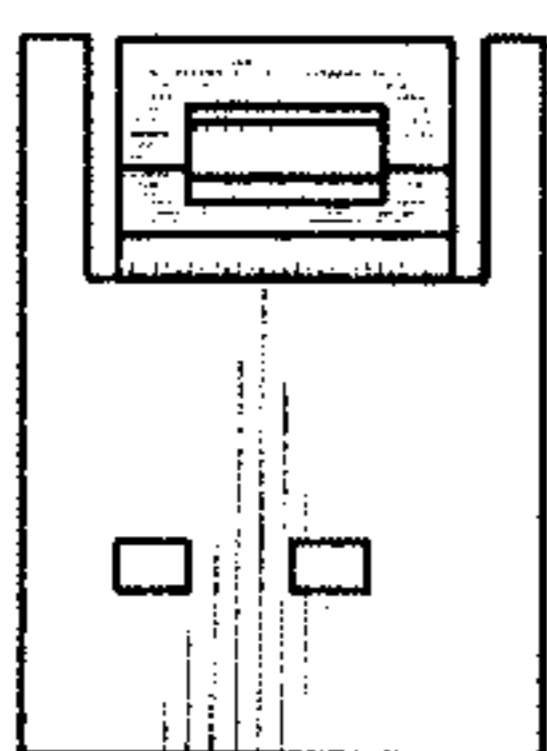


FIG. 19

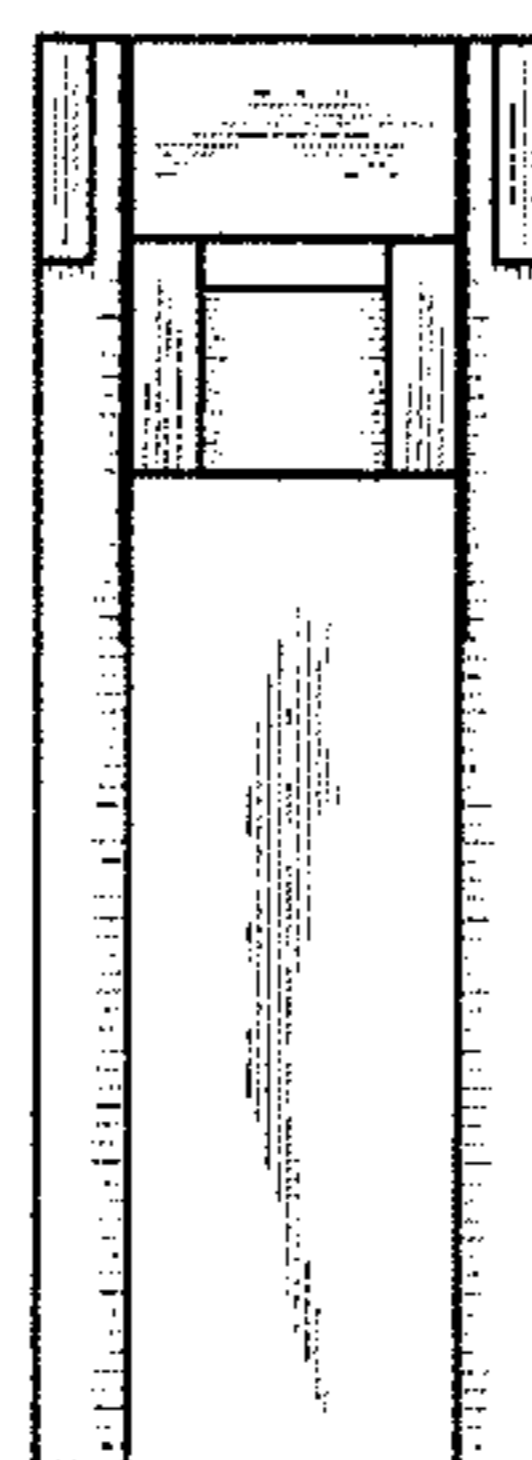


FIG. 20

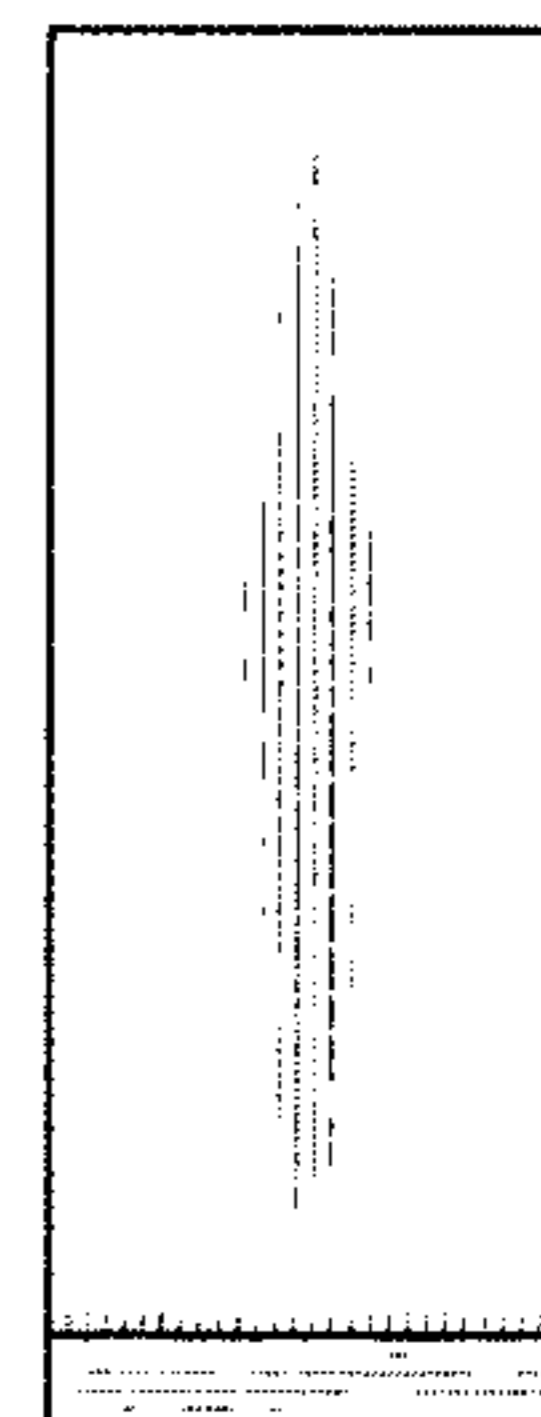


FIG. 21