



US00D535619S

(12) **United States Design Patent**  
**Nagata**

(10) **Patent No.:** **US D535,619 S**

(45) **Date of Patent:** **\*\* Jan. 23, 2007**

(54) **COAXIAL CONNECTOR**

(75) Inventor: **Takayuki Nagata**, Higashiosaka (JP)

(73) Assignee: **Hosiden Corporation**, Osaka (JP)

(\*\*) Term: **14 Years**

(21) Appl. No.: **29/221,850**

(22) Filed: **Jan. 21, 2005**

(30) **Foreign Application Priority Data**

Aug. 9, 2004 (JP) ..... 2004-023875

(51) **LOC (8) Cl.** ..... **13-03**

(52) **U.S. Cl.** ..... **D13/133**

(58) **Field of Classification Search** ..... D13/133,  
D13/134, 146, 154, 184, 199; 439/63, 578,  
439/580-585

See application file for complete search history.

(56) **References Cited**

**U.S. PATENT DOCUMENTS**

- D287,239 S \* 12/1986 Komatsu ..... D13/133
- D316,702 S \* 5/1991 Gartwhaite ..... D13/133
- D400,170 S \* 10/1998 Asai et al. .... D13/133
- D447,117 S \* 8/2001 Ko ..... D13/133
- D457,496 S \* 5/2002 Ko ..... D13/133
- 6,474,995 B1 \* 11/2002 Wu ..... 439/63

- 6,607,400 B1 \* 8/2003 Ko ..... 439/581
- 6,932,615 B1 \* 8/2005 Yeo ..... 439/63
- D513,606 S \* 1/2006 Yamane ..... D13/149
- 2001/0034145 A1 \* 10/2001 Uratani et al. .... 439/83
- 2004/0229486 A1 \* 11/2004 Uratani et al. .... 439/188
- 2006/0046547 A1 \* 3/2006 Matsuo ..... 439/188

\* cited by examiner

*Primary Examiner*—Prabhakar Deshmukh

*Assistant Examiner*—Daniel Bui

(74) *Attorney, Agent, or Firm*—Akin Gump Strauss, Hauer & Feld, LLP

(57) **CLAIM**

The ornamental design for a coaxial connector, as shown and described.

**DESCRIPTION**

FIG. 1 is a perspective view of a coaxial connector in accordance with my new design;  
 FIG. 2 is a front view thereof;  
 FIG. 3 is a rear view thereof;  
 FIG. 4 is a left side view thereof;  
 FIG. 5 is a plan view thereof;  
 FIG. 6 is a bottom view; and,  
 FIG. 7 is a sectional view taken along a line 7—7 in FIG. 5.  
 A right side view appears symmetric with the left side view.

**1 Claim, 2 Drawing Sheets**

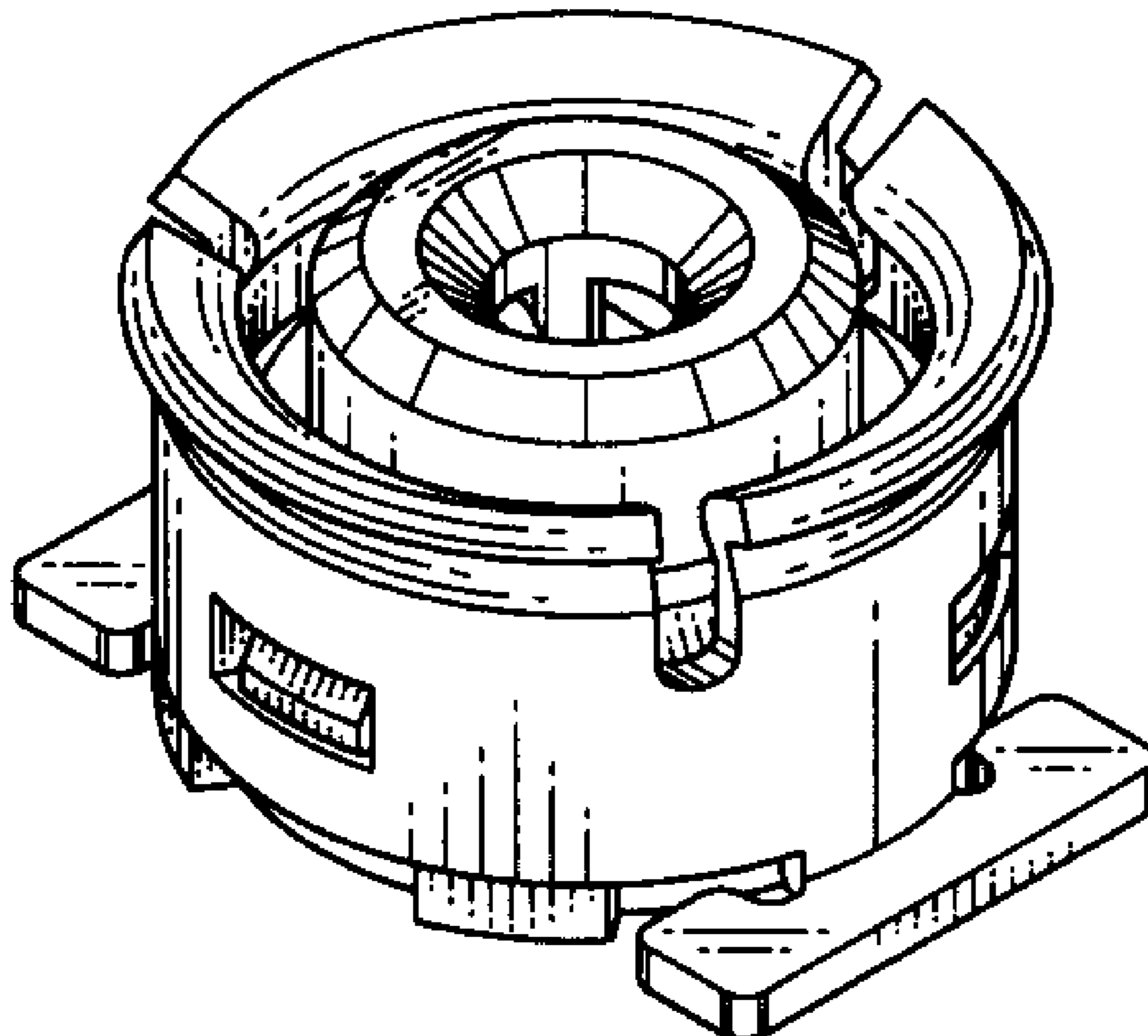


Fig. 1

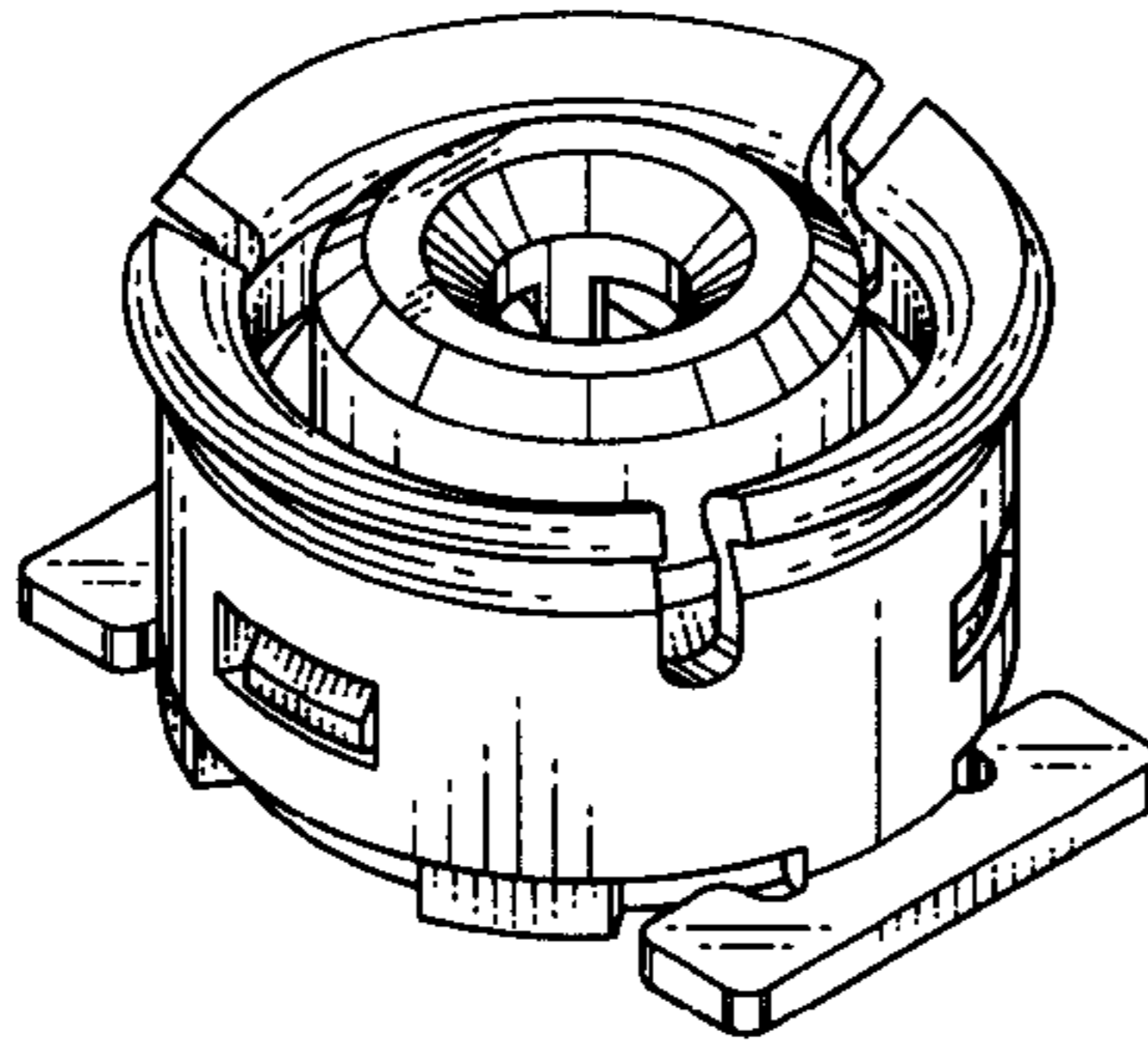


Fig. 2

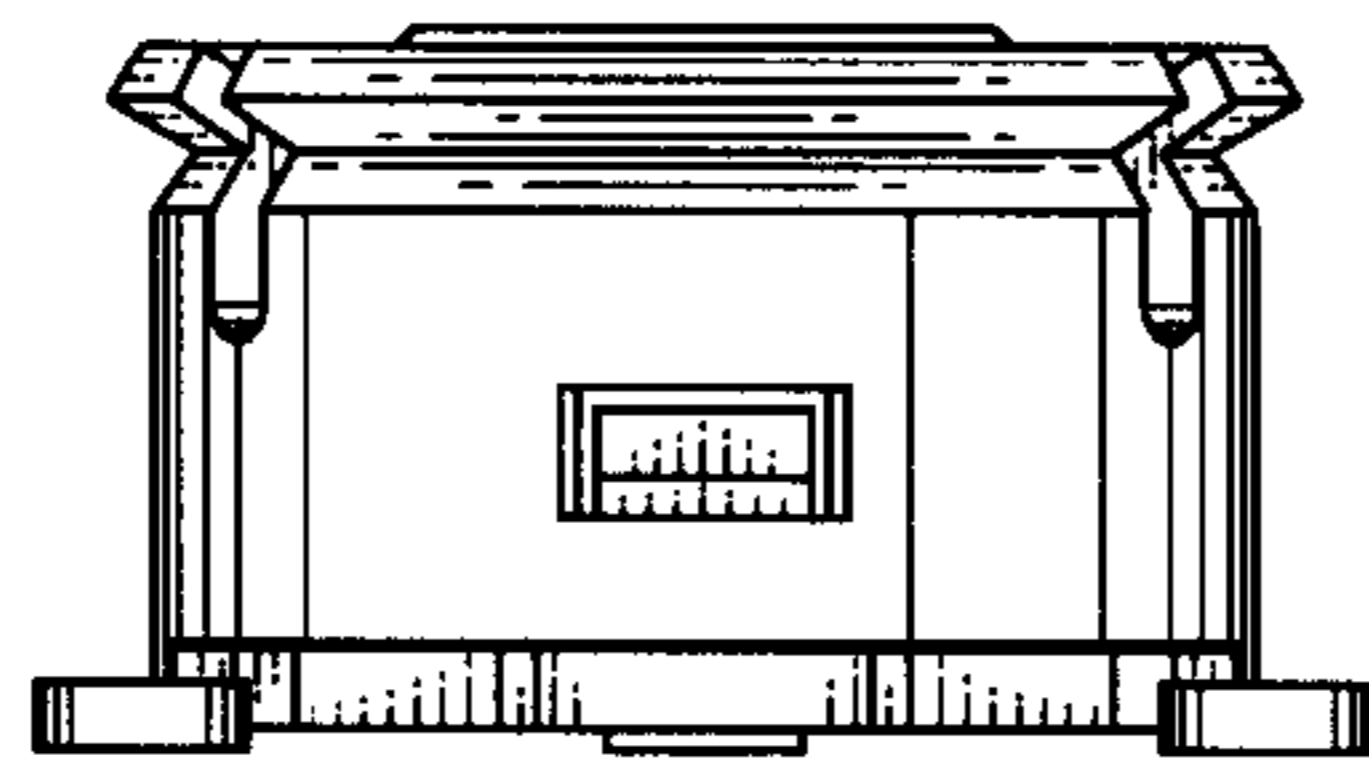


Fig. 3

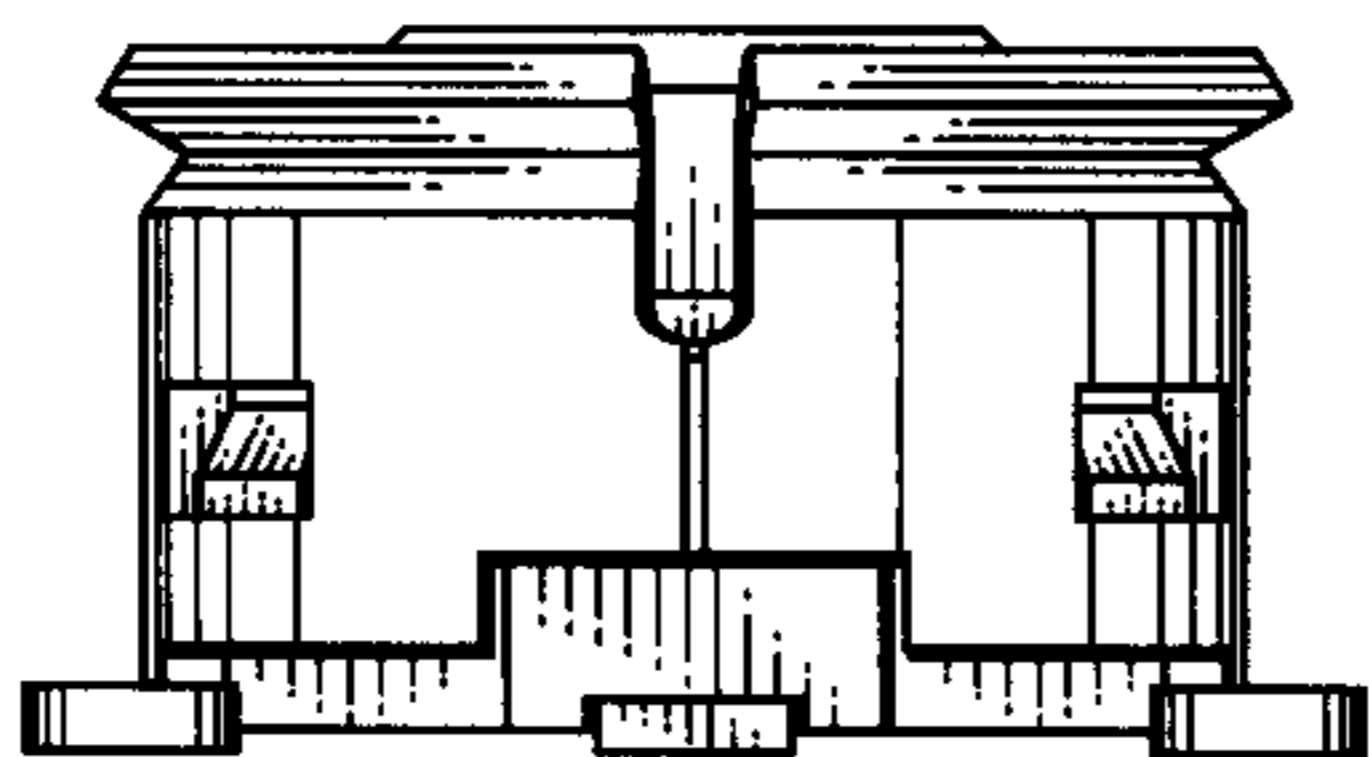


Fig. 4

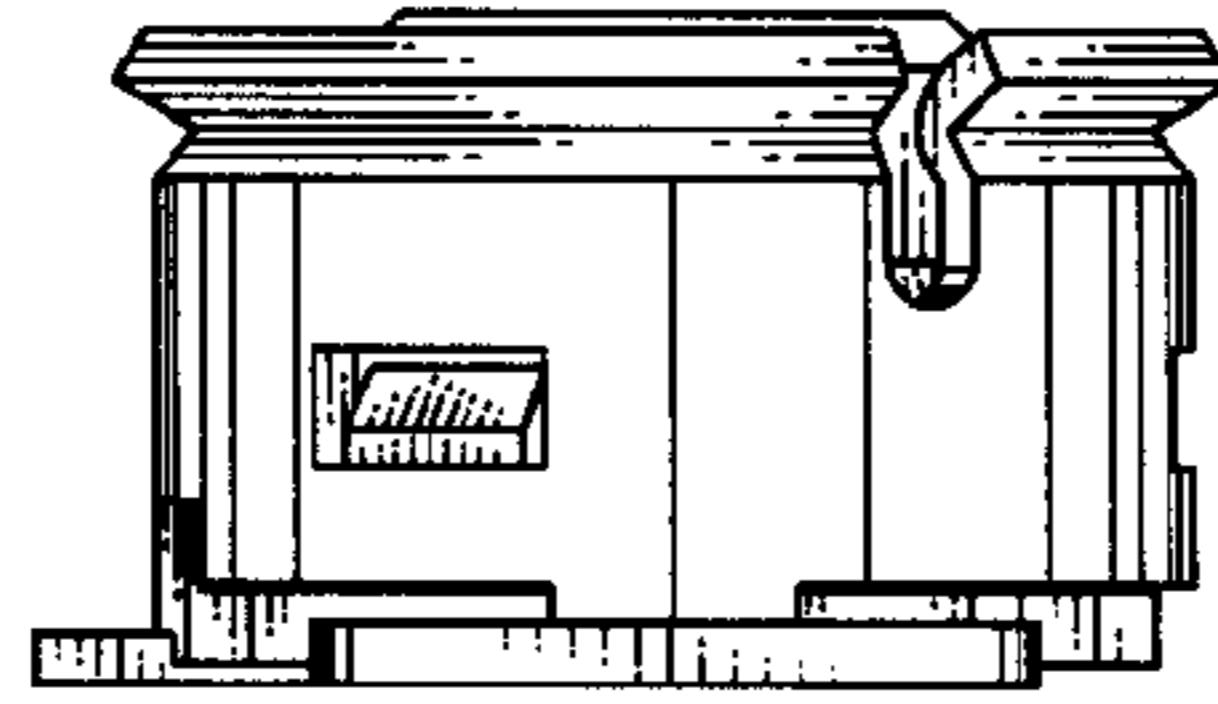


Fig. 5

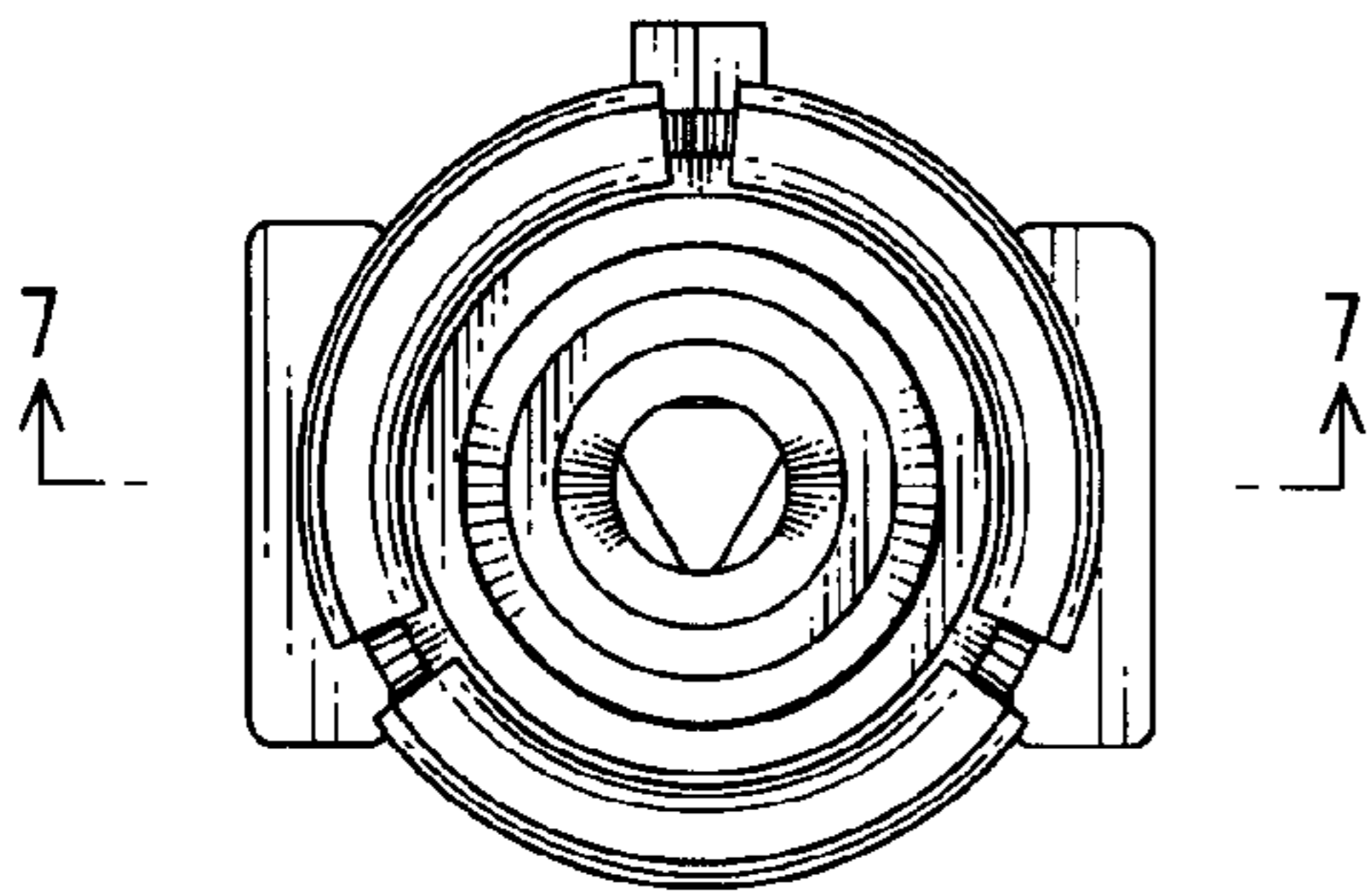


Fig. 6

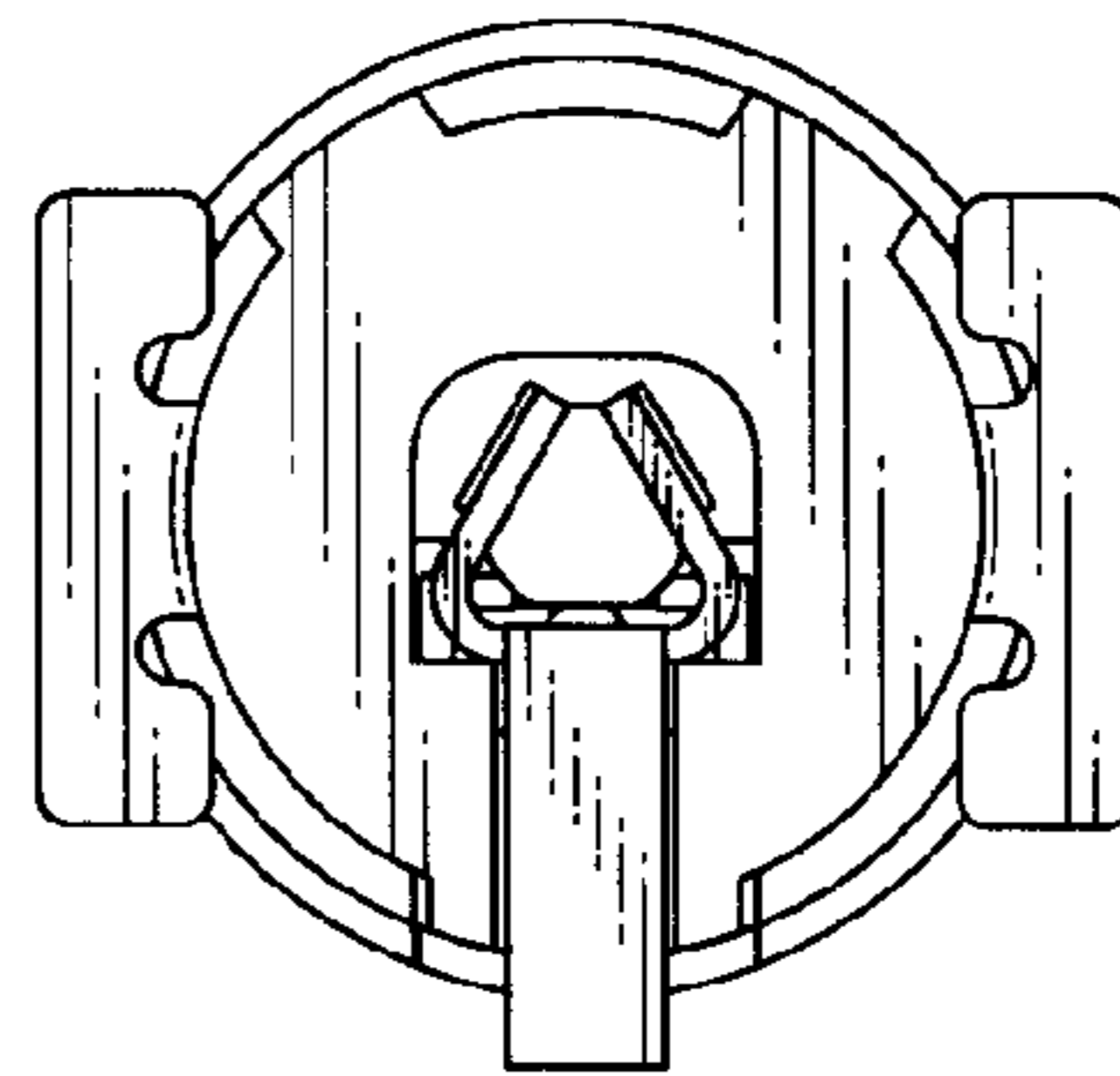


Fig. 7

