



US00D535618S

(12) **United States Design Patent**
Hu et al.

(10) **Patent No.:** **US D535,618 S**
(45) **Date of Patent:** **** Jan. 23, 2007**

(54) **ELECTRICAL CONNECTOR**

(75) Inventors: **Jinkui Hu**, Kunsan (CN); **Guohua Zhang**, Kunsan (CN); **ZiQiang Zhu**, Kunsan (CN)

(73) Assignee: **Hon Hai Precision Ind. Co., Ltd.**, Taipei Hsien (TW)

(**) Term: **14 Years**

(21) Appl. No.: **29/220,582**

(22) Filed: **Dec. 31, 2004**

(30) **Foreign Application Priority Data**

Sep. 2, 2004 (CN) 2004 3 0069924

(51) **LOC (8) Cl.** **13-03**

(52) **U.S. Cl.** **D13/133**

(58) **Field of Classification Search** D13/123, D13/133, 146-149, 154, 184, 199; D14/256, D14/432, 433, 435; 439/66, 374, 527, 591, 439/701, 721, 862, 894

See application file for complete search history.

(56) **References Cited**

U.S. PATENT DOCUMENTS

5,415,571 A * 5/1995 Lutsch 439/843

6,074,228 A * 6/2000 Berg et al. 439/180
D445,763 S * 7/2001 Corona D13/133
D446,769 S * 8/2001 Stockhaus et al. D13/133
D475,013 S * 5/2003 Grimm D13/133
2005/0260898 A1 * 11/2005 Zhu et al. 439/862

* cited by examiner

Primary Examiner—Prabhakar Deshmukh

Assistant Examiner—Daniel Bui

(74) *Attorney, Agent, or Firm*—Wei Te Chung

(57) **CLAIM**

The ornamental design for an electrical connector, as shown.

DESCRIPTION

FIG. 1 is a front, top and right side perspective view of an electrical connector showing our new design;

FIG. 2 is a front elevational view of FIG. 1;

FIG. 3 is a rear elevational view of FIG. 1;

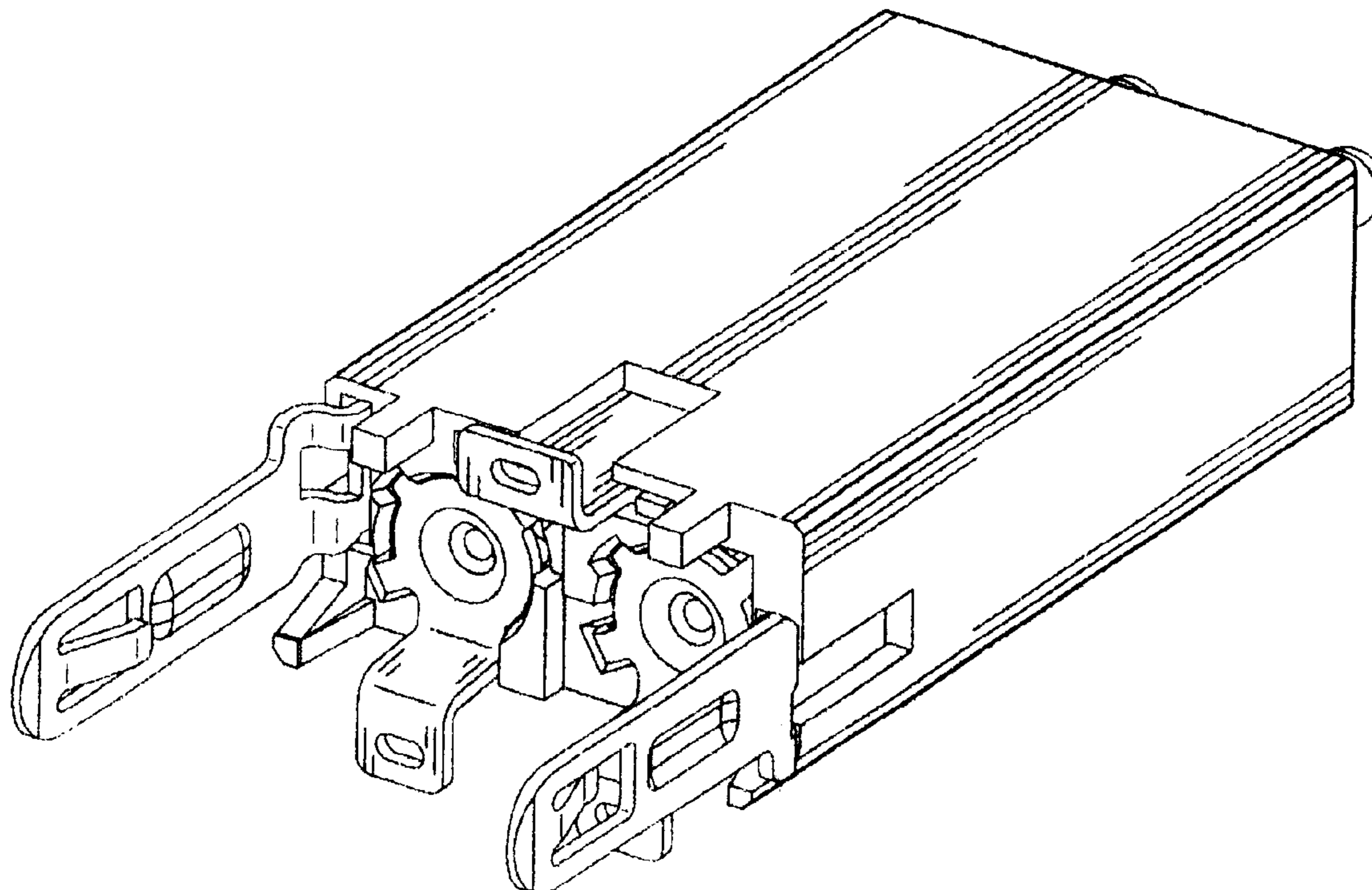
FIG. 4 is a left side elevational view of FIG. 1;

FIG. 5 is a right side elevational view of FIG. 1;

FIG. 6 is a top plan view of FIG. 1; and,

FIG. 7 is a bottom plan view of FIG. 1.

1 Claim, 6 Drawing Sheets



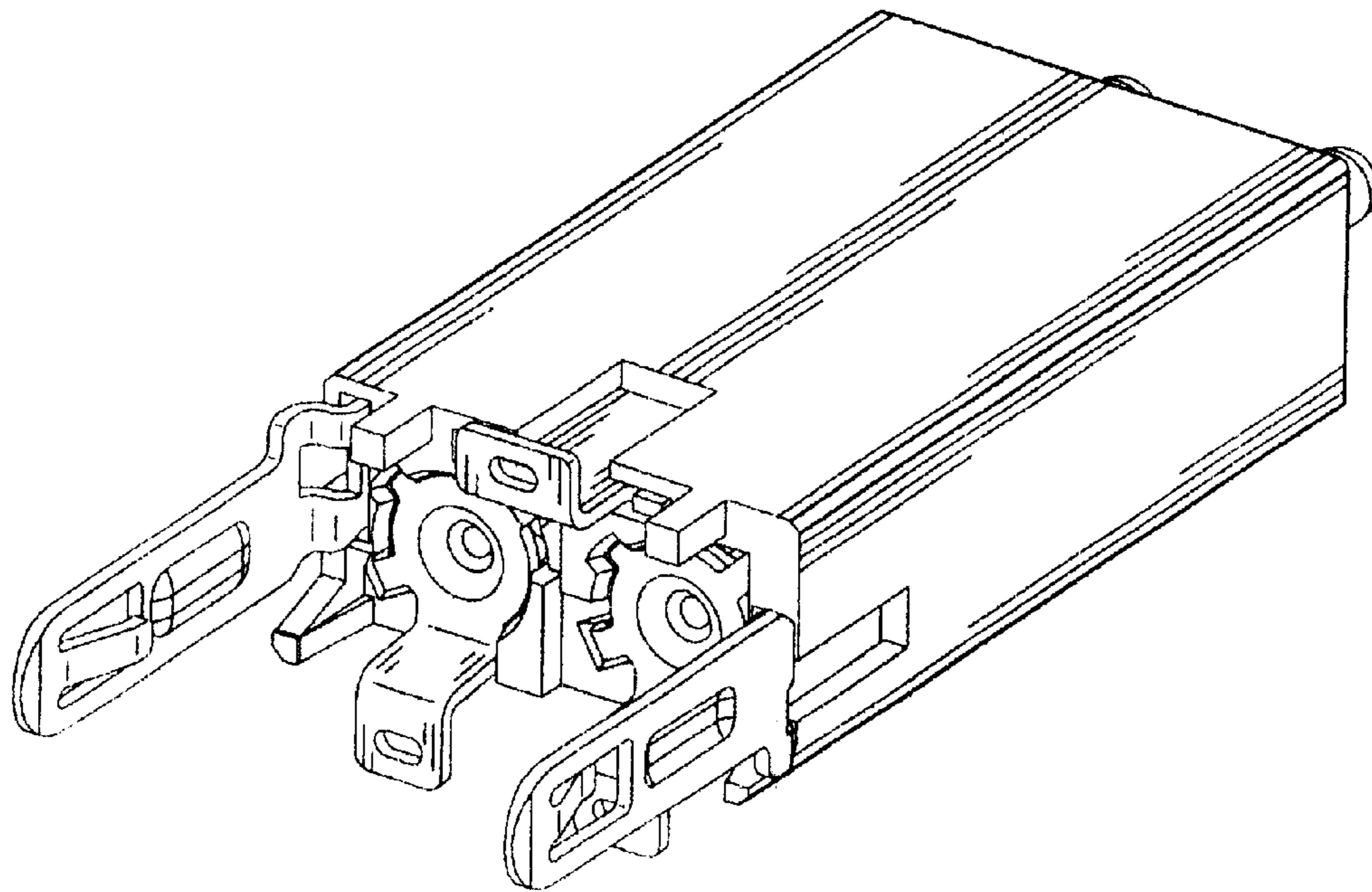


FIG. 1

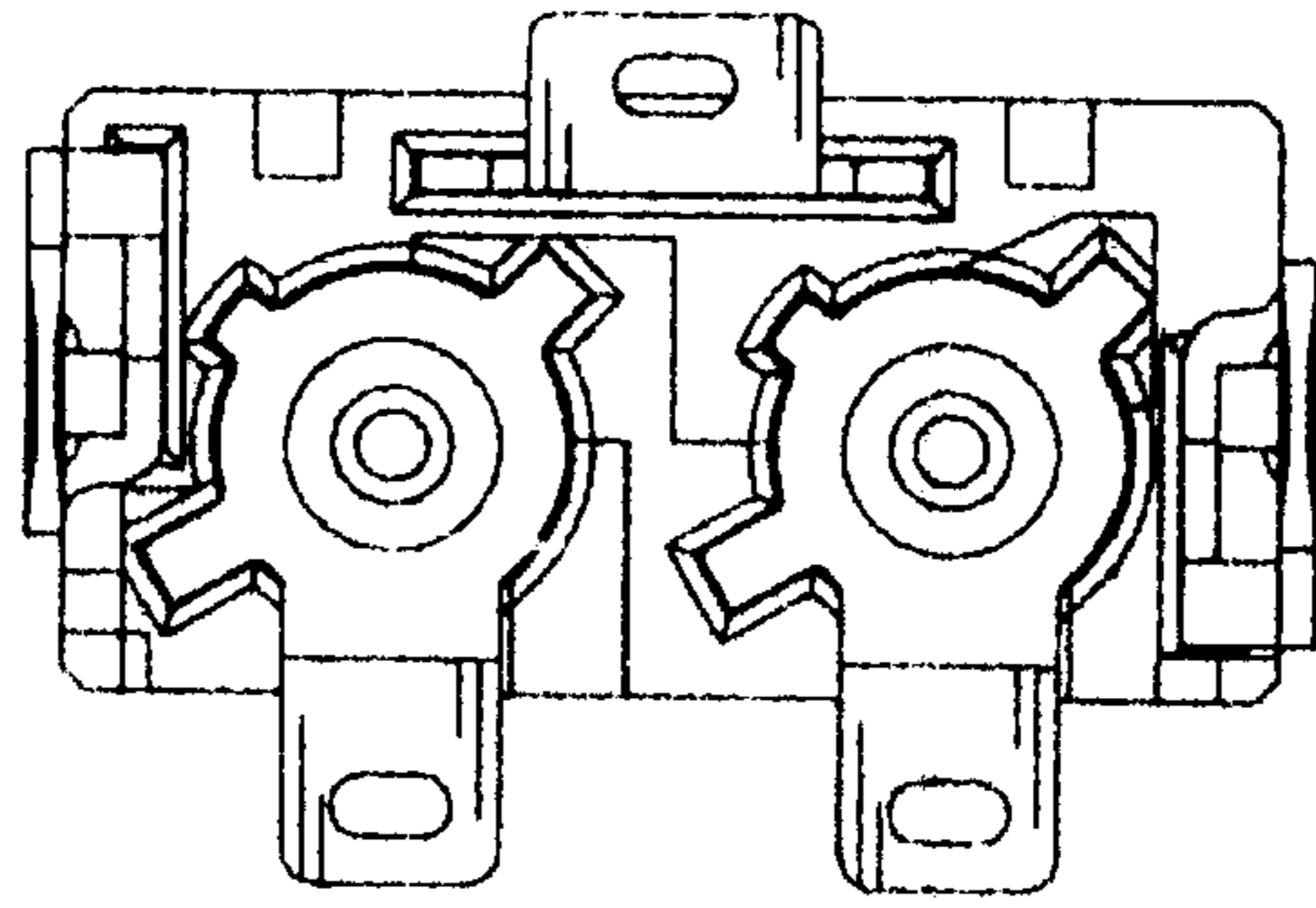


FIG. 2

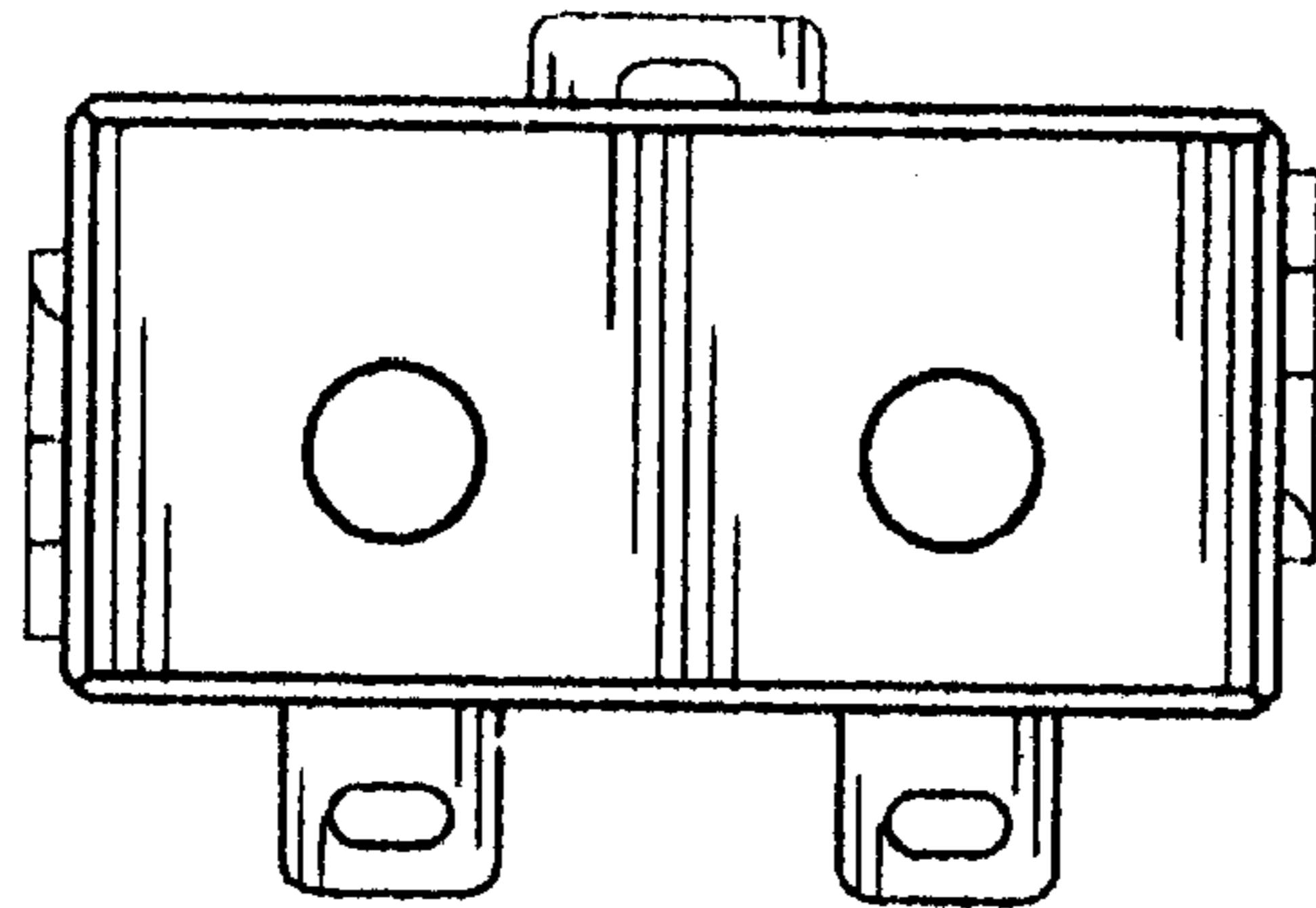


FIG. 3

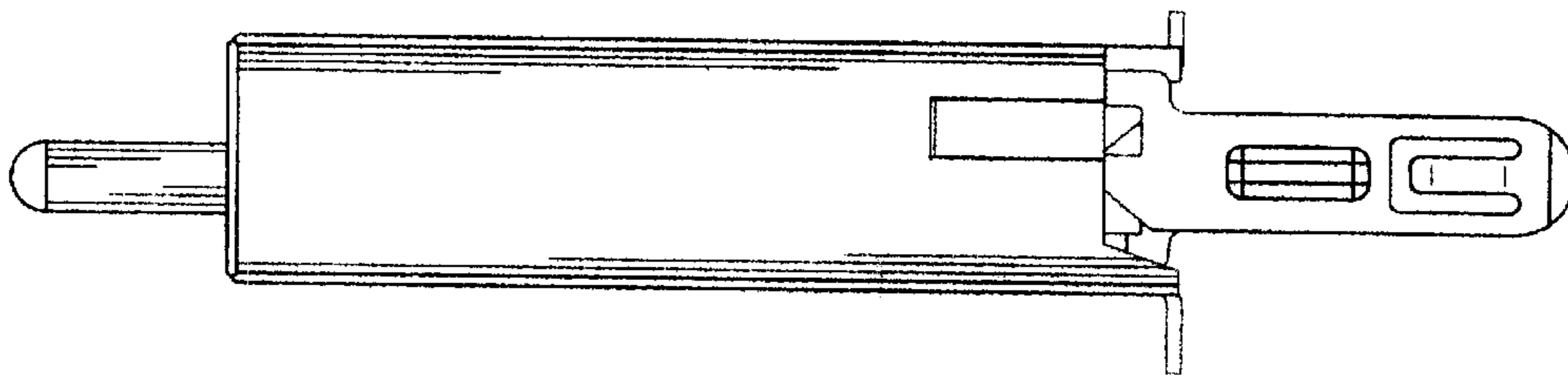


FIG. 4

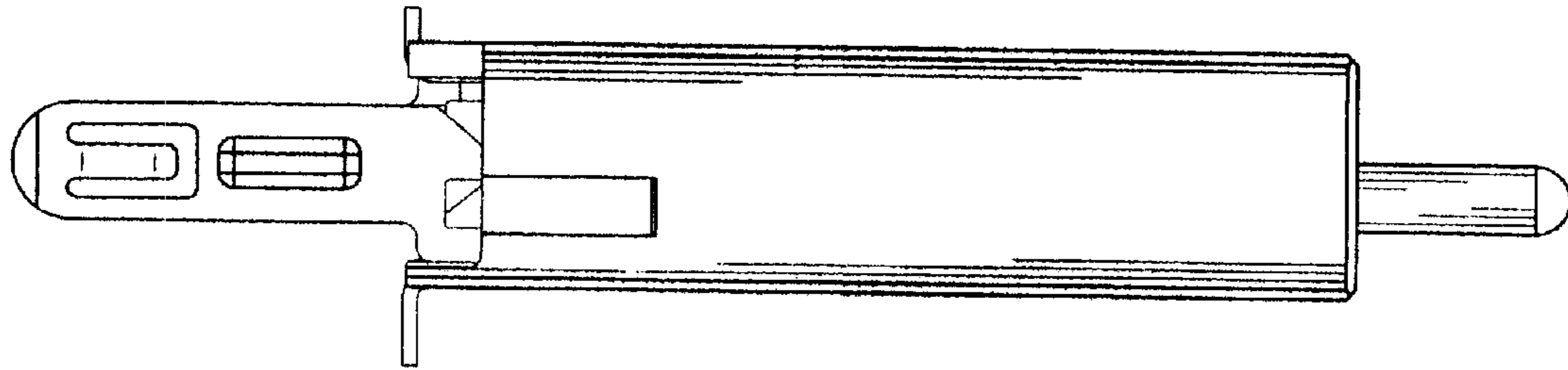


FIG. 5

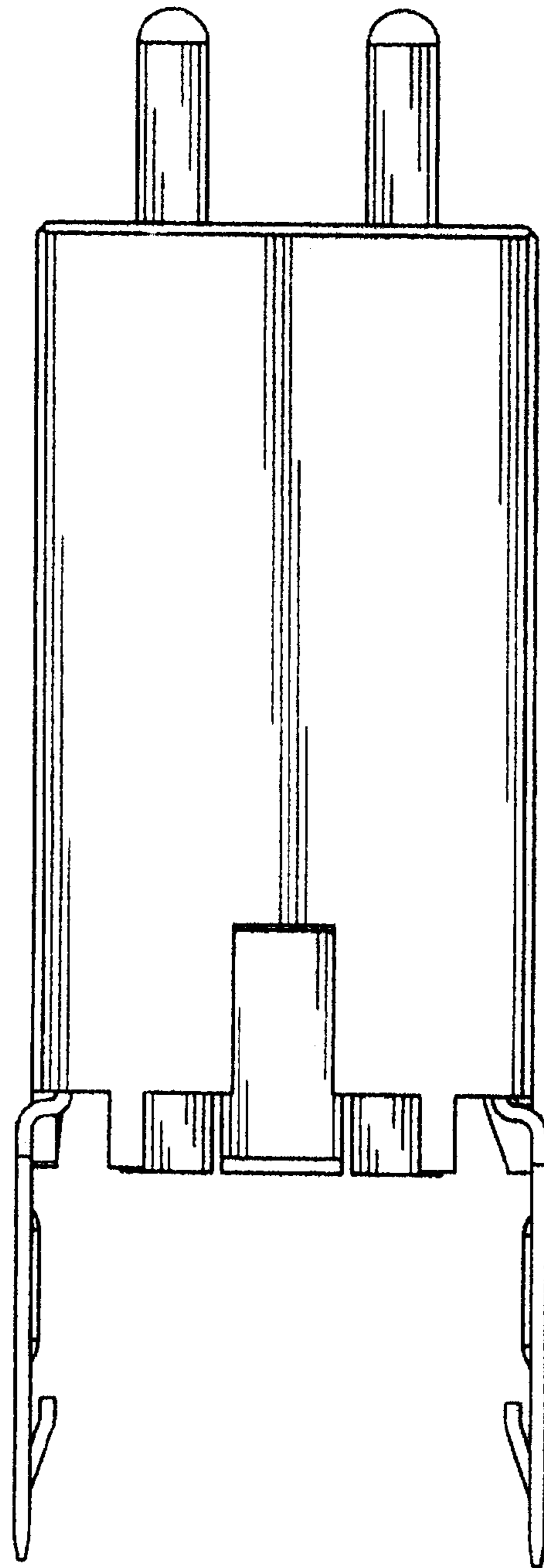


FIG. 6

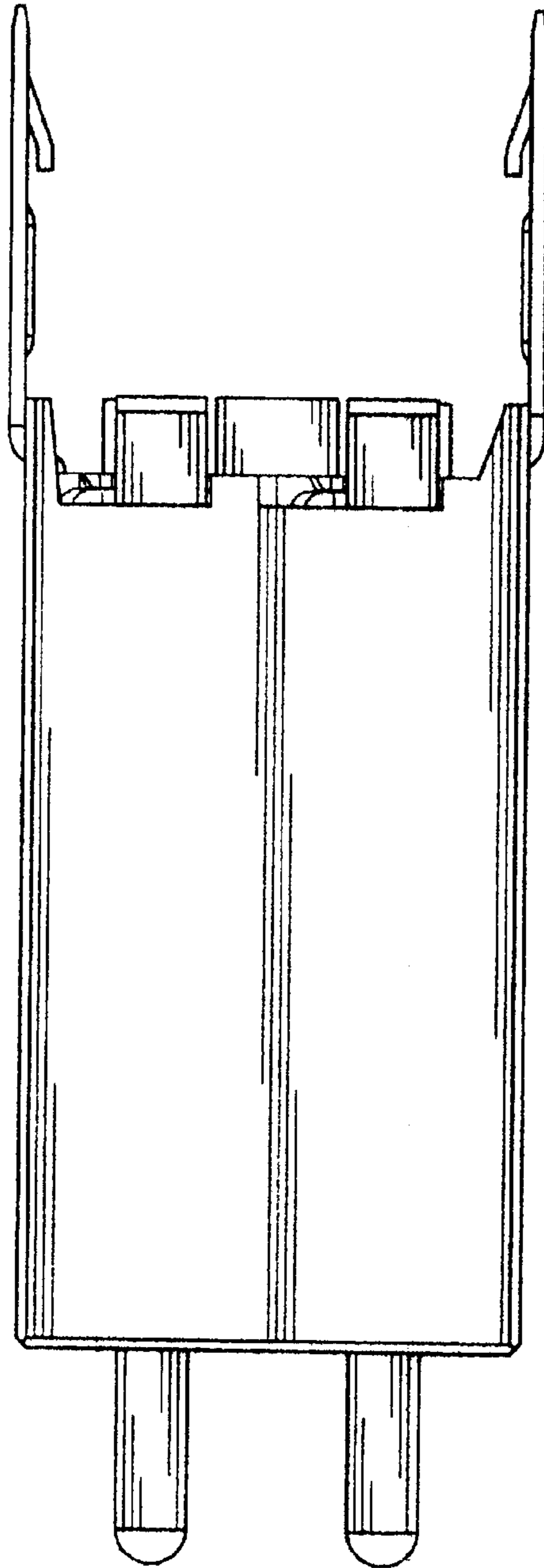


FIG. 7