



US00D535617S

(12) **United States Design Patent**  
**Yoneyama et al.**

(10) **Patent No.:** **US D535,617 S**

(45) **Date of Patent:** **\*\* Jan. 23, 2007**

(54) **ELECTRICAL CONNECTOR**

(75) Inventors: **Kazuo Yoneyama**, Kyoto (JP); **Hitoshi Nakai**, Kyoto (JP); **Mitsuhiro Asano**, Yao (JP)

(73) Assignees: **Nintendo Co., Ltd.**, Kyoto (JP); **Hosiden Corporation**, Osaka (JP)

(\*\*) **Term:** **14 Years**

(21) **Appl. No.:** **29/216,924**

(22) **Filed:** **Nov. 10, 2004**

(30) **Foreign Application Priority Data**

May 11, 2004 (JP) ..... 2004-017033

(51) **LOC (8) Cl.** ..... **13-03**

(52) **U.S. Cl.** ..... **D13/133**

(58) **Field of Classification Search** ..... D13/133,  
D13/146, 154, 184, 199; 439/65, 83, 295,  
439/441, 660, 862, 894

See application file for complete search history.

(56) **References Cited**

U.S. PATENT DOCUMENTS

D419,133 S \* 1/2000 Yoshida et al. .... D13/120  
6,361,359 B1 \* 3/2002 Du et al. .... 439/500

D455,126 S \* 4/2002 Wu ..... D13/147  
D462,055 S \* 8/2002 Shi et al. .... D13/133  
D486,448 S \* 2/2004 Watanabe et al. .... D13/120  
D500,735 S \* 1/2005 Shirae et al. .... D13/133  
6,994,576 B2 \* 2/2006 Tanaka et al. .... 439/188

\* cited by examiner

*Primary Examiner*—Prabhakar Deshmukh

*Assistant Examiner*—Daniel Bui

(74) *Attorney, Agent, or Firm*—Akin Gump Strauss Hauer & Feld, LLP

(57) **CLAIM**

The ornamental design for an electrical connector, as shown and described.

**DESCRIPTION**

FIG. 1 is a top, front and left side perspective view of an electrical connector, showing our new design;  
FIG. 2 is a bottom, front and right side perspective view thereof;  
FIG. 3 is a front elevation view thereof;  
FIG. 4 is a rear elevation view thereof;  
FIG. 5 is a top plan view thereof;  
FIG. 6 is a bottom plan view thereof;  
FIG. 7 is a left side elevation view thereof; and,  
FIG. 8 is a right side elevation view thereof.

**1 Claim, 4 Drawing Sheets**

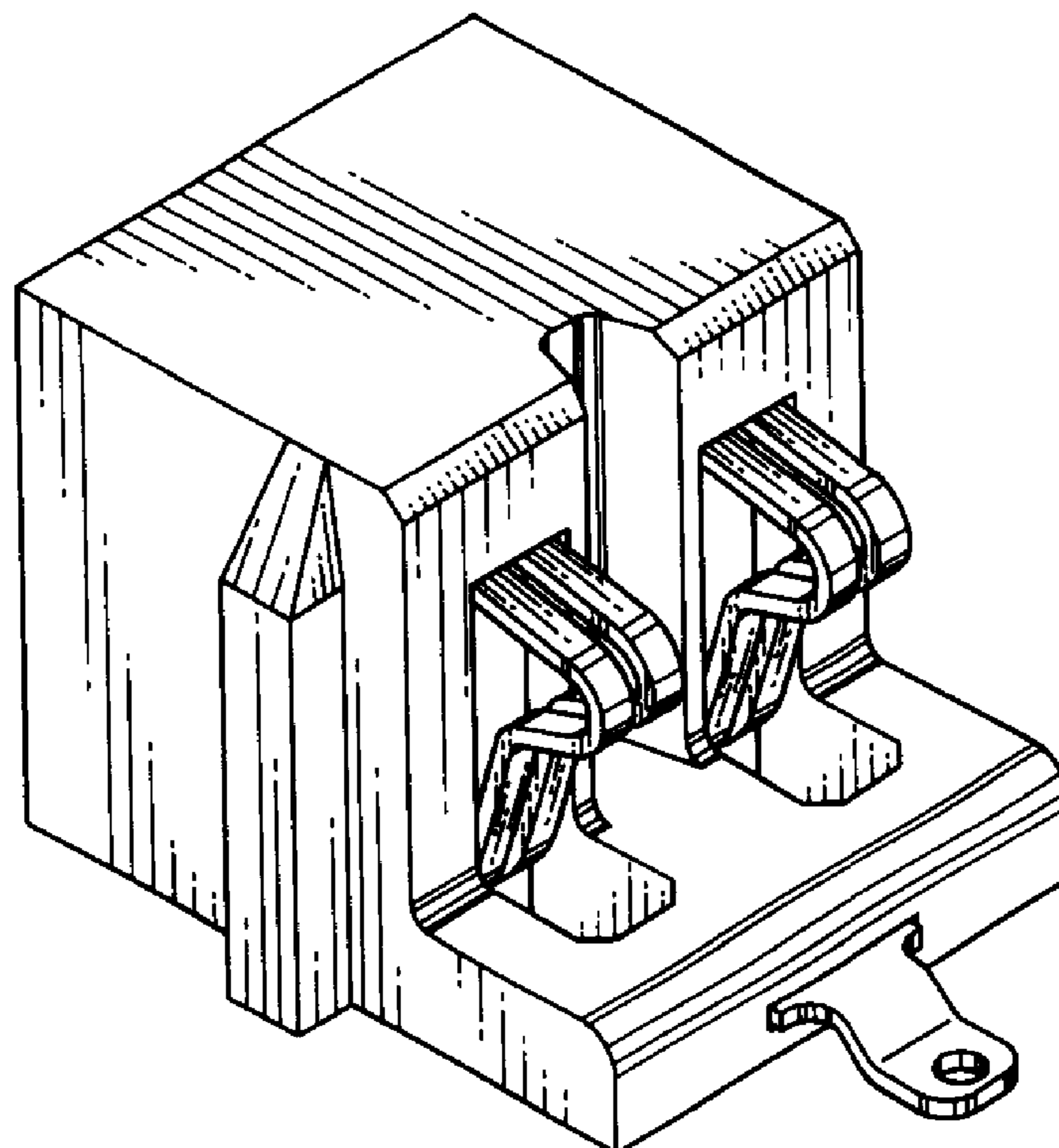


Fig. 1

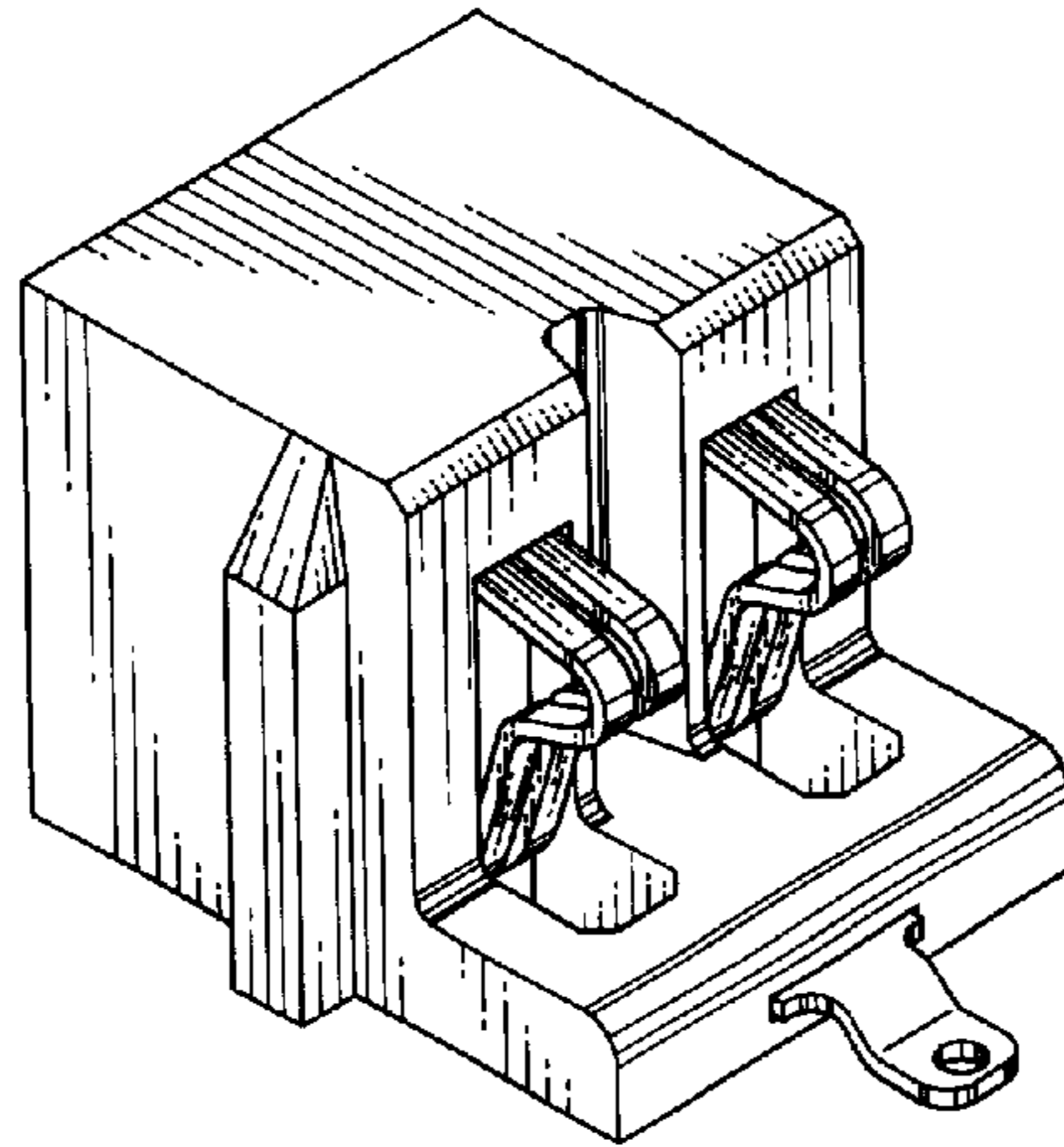


Fig. 2

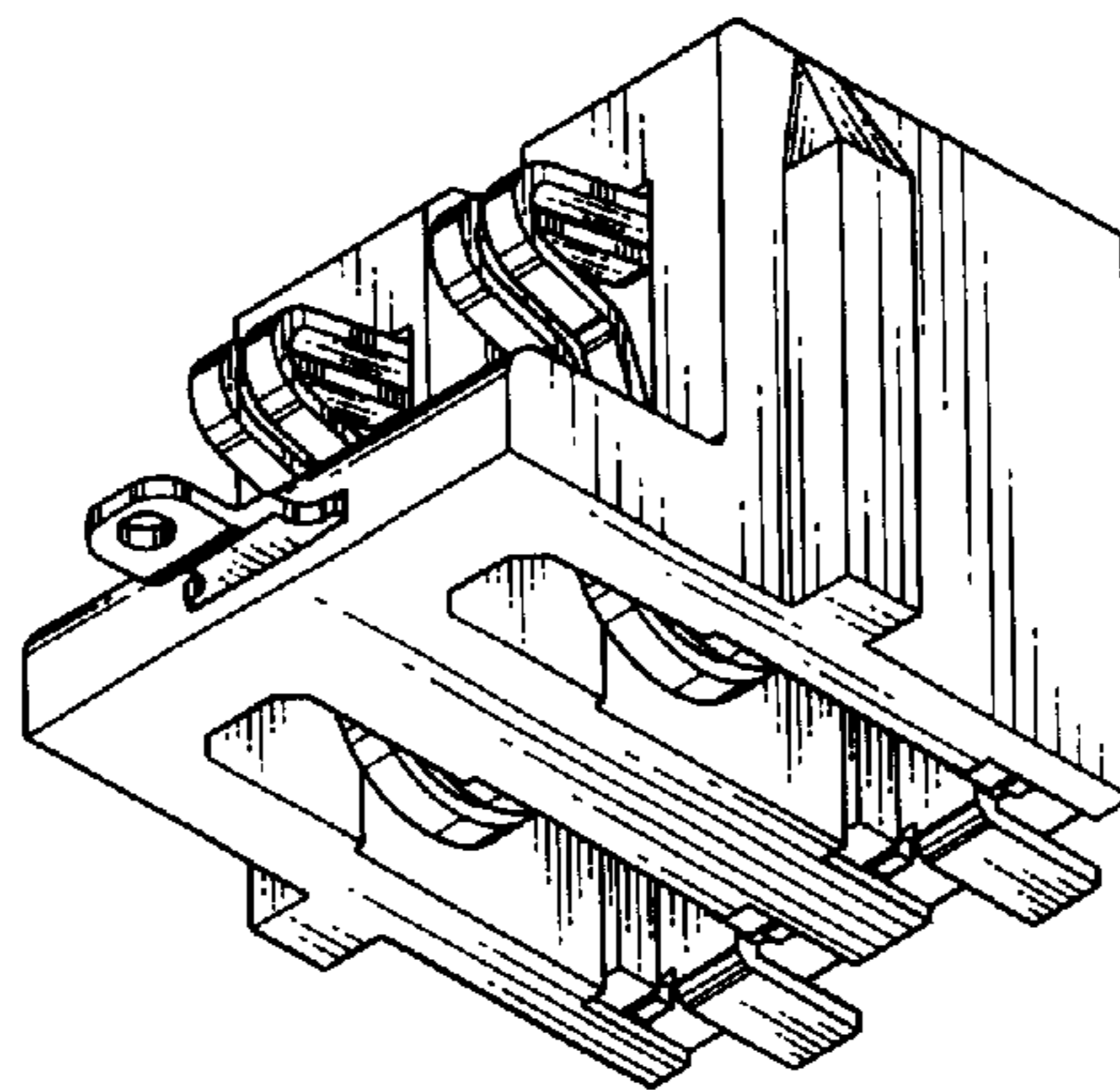


Fig. 3

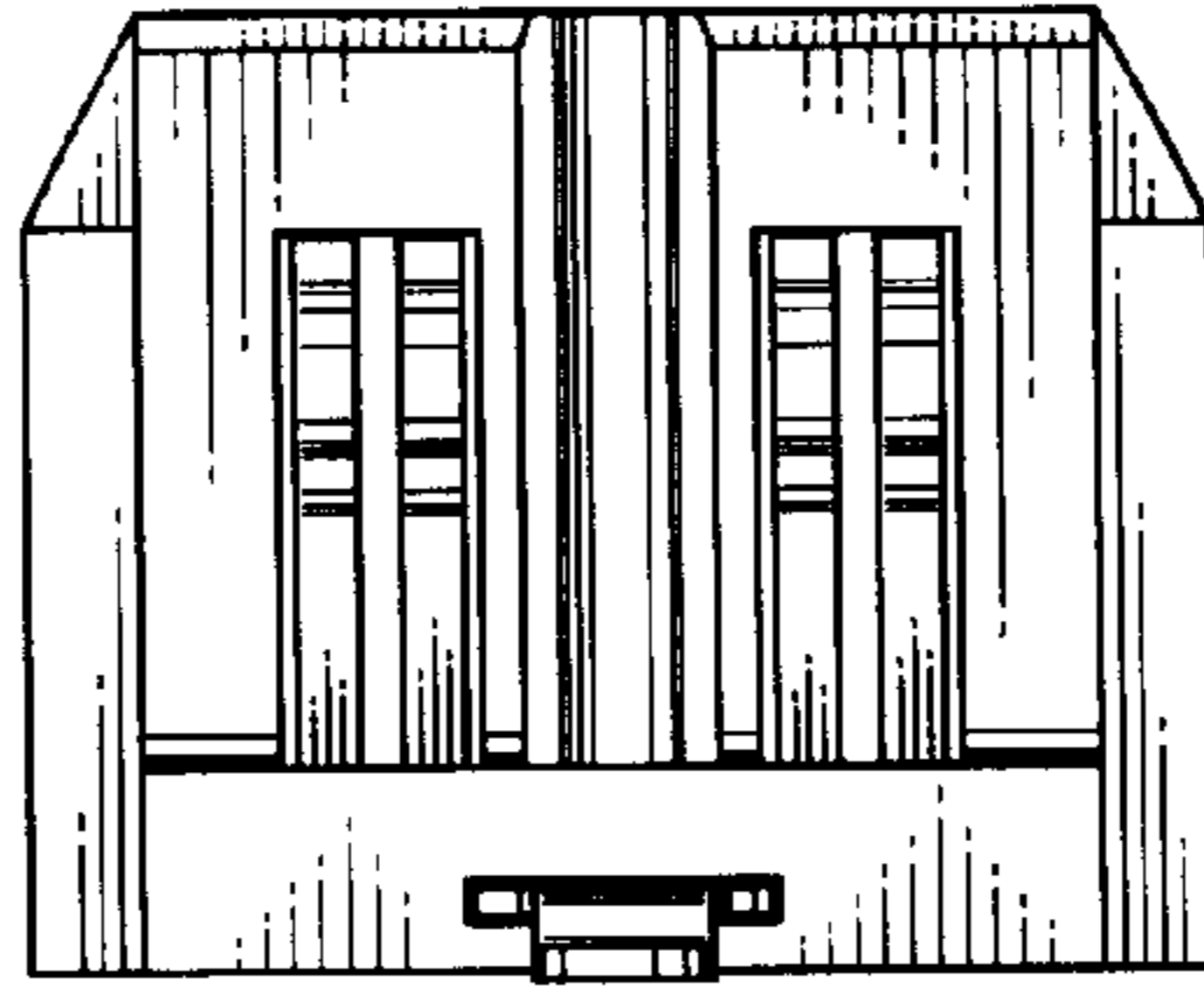


Fig. 4

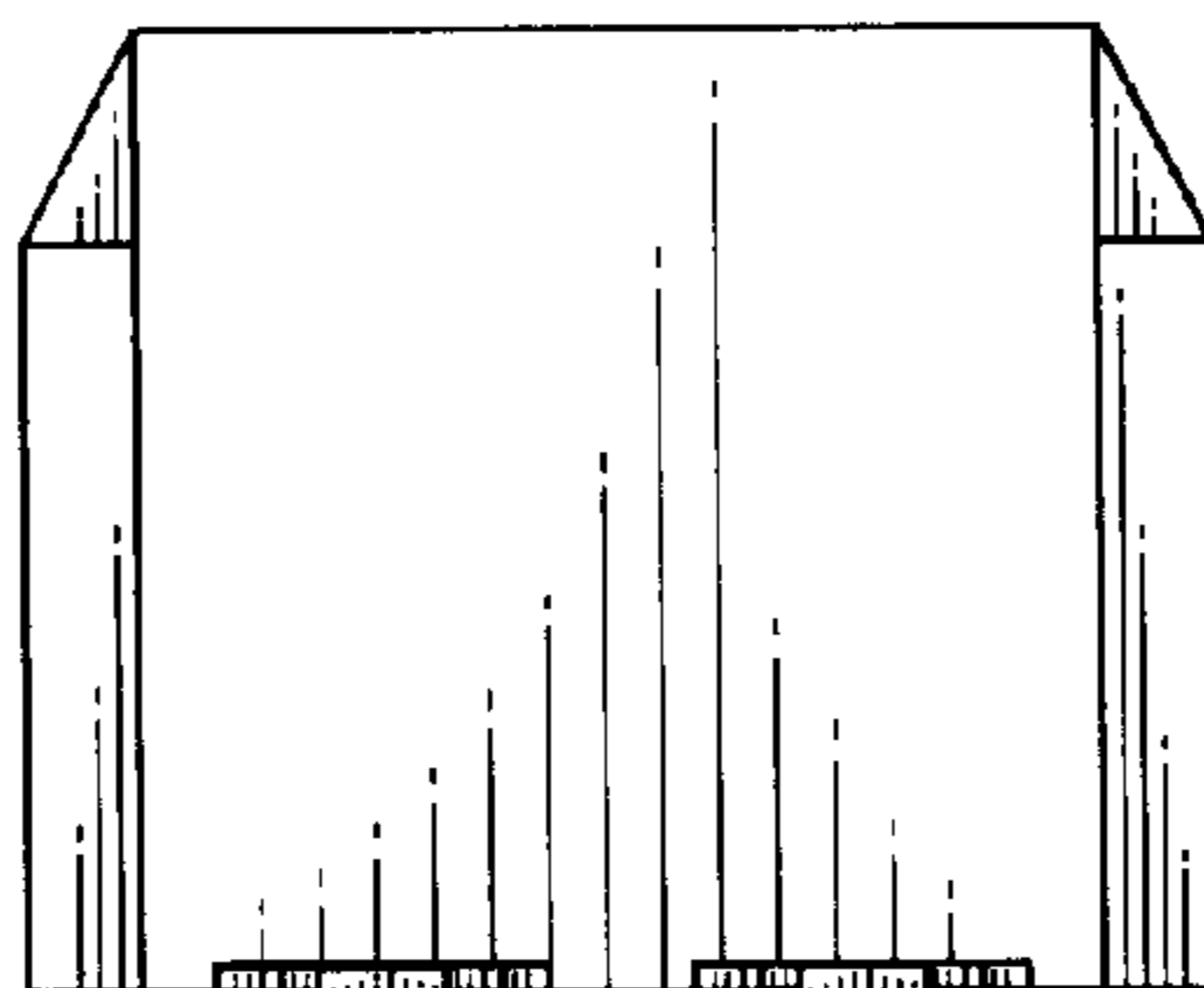


Fig. 5

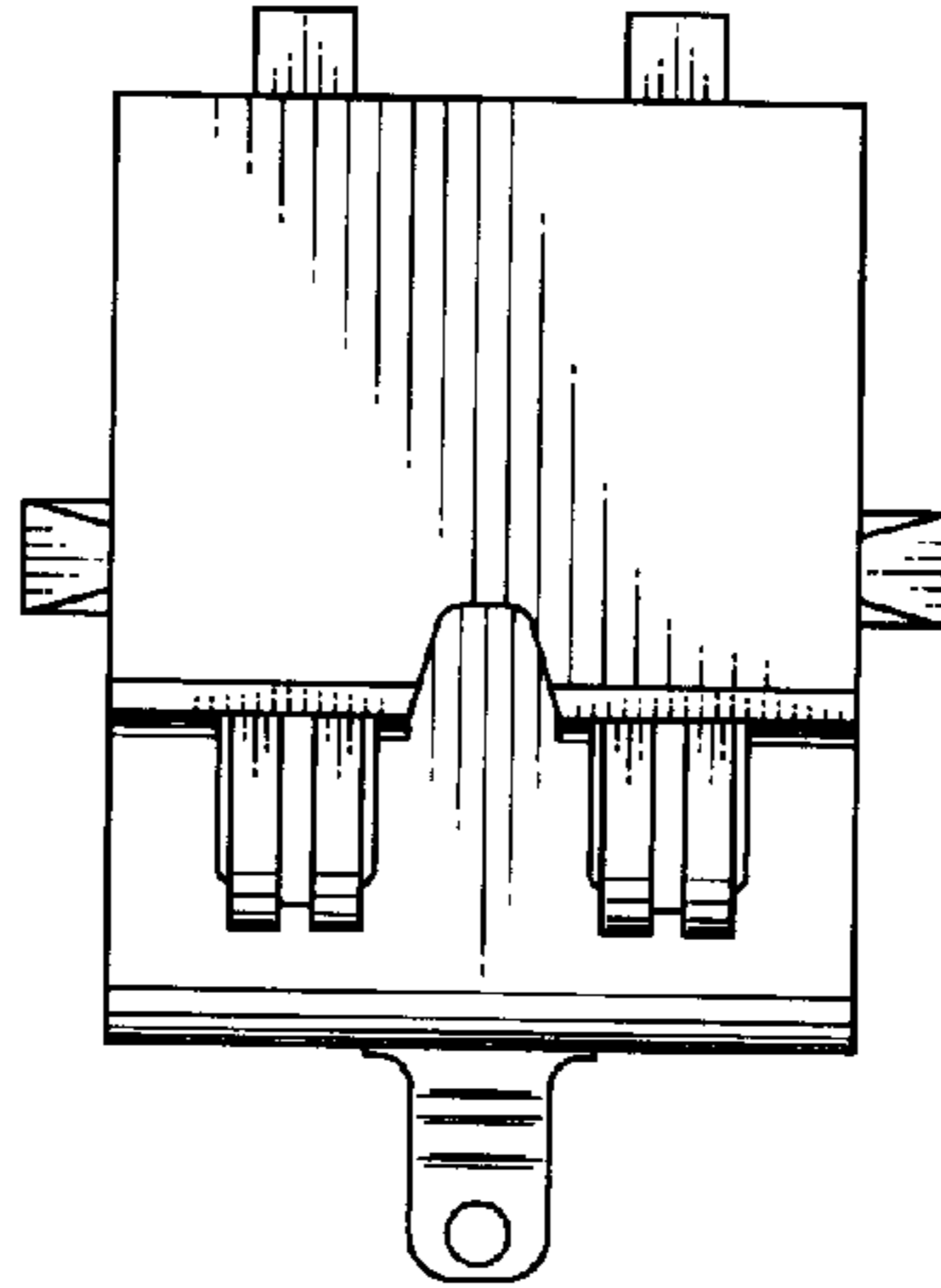


Fig. 6

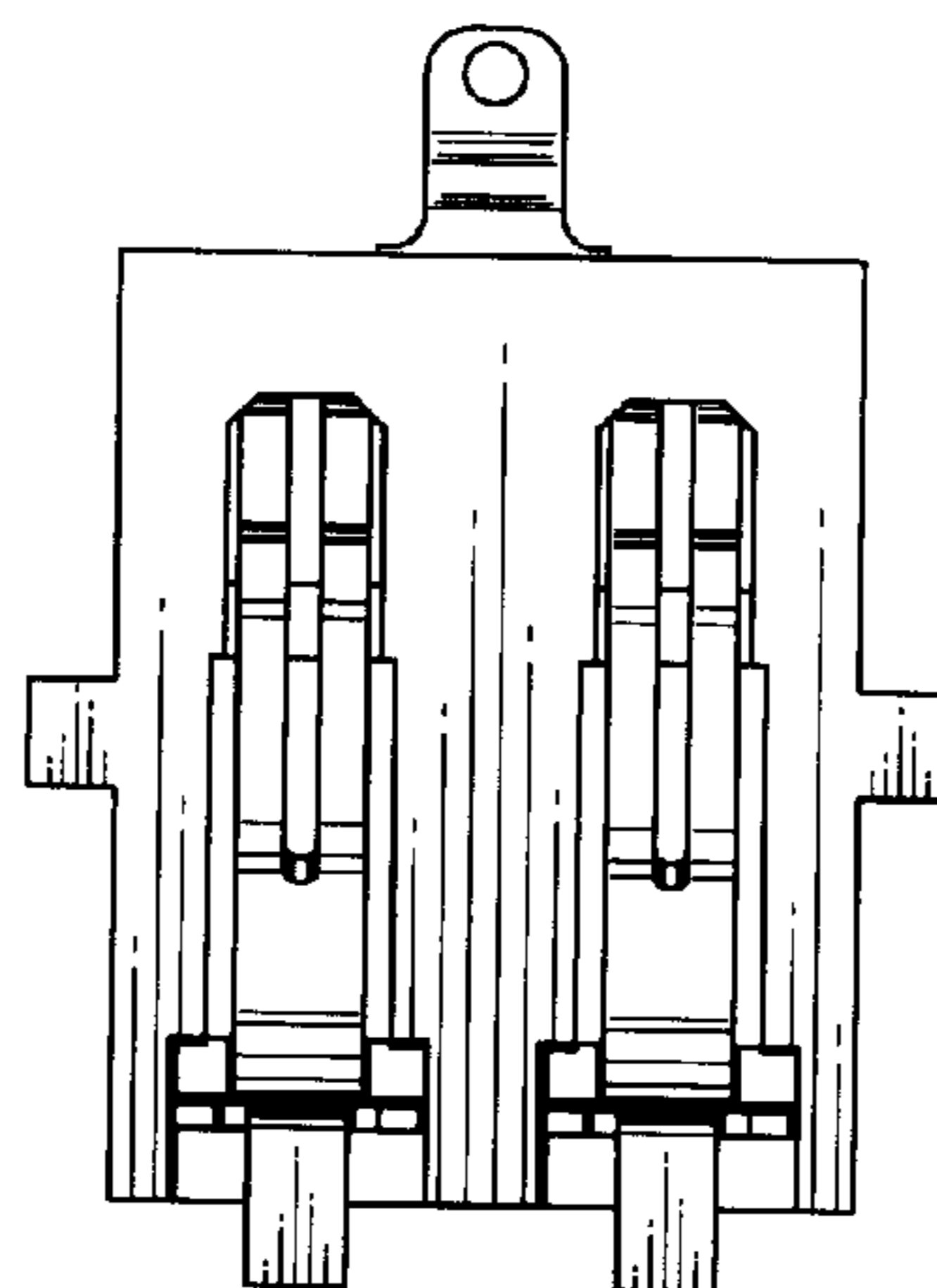


Fig. 7

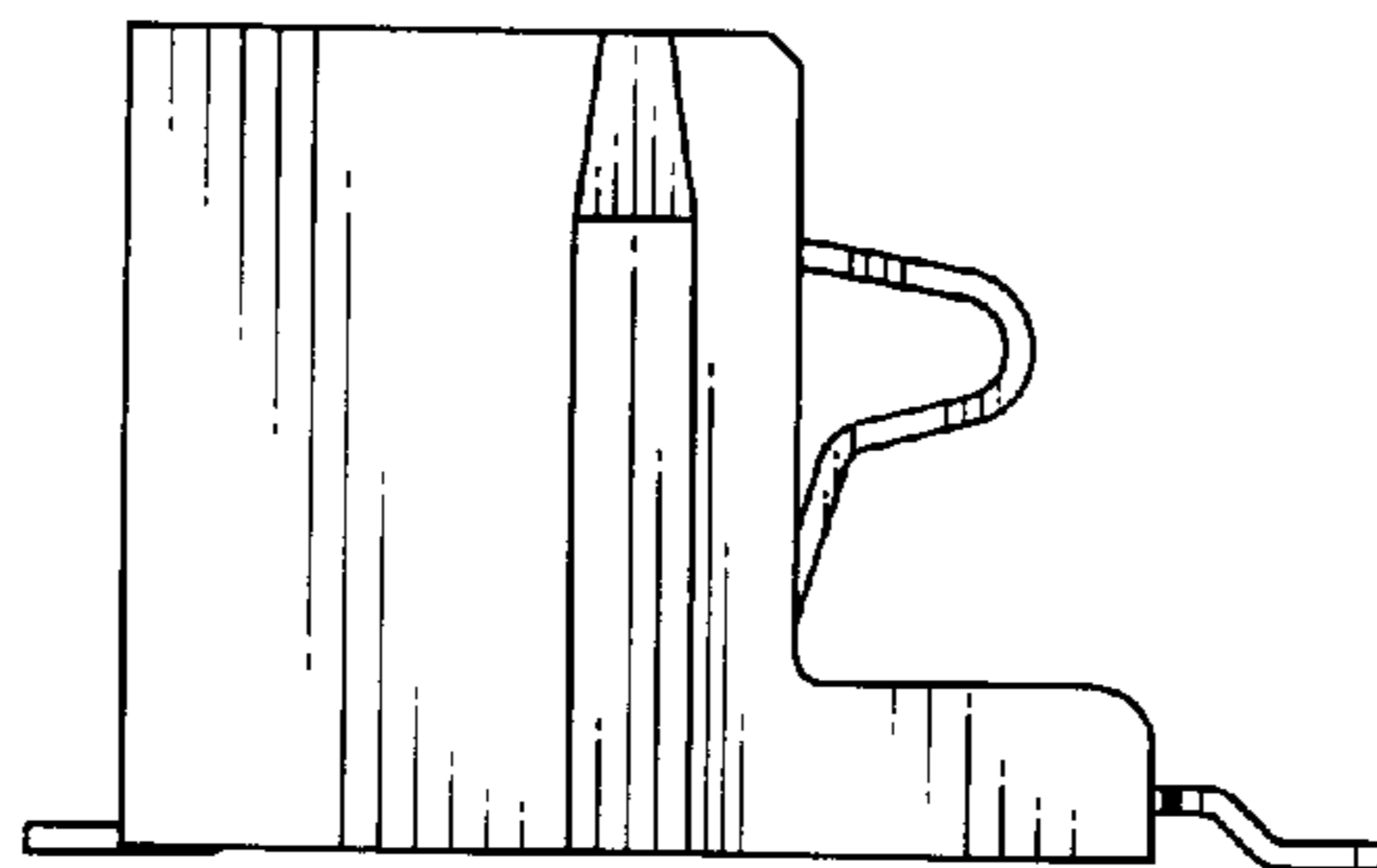


Fig. 8

